



US00D790826S

(12) **United States Design Patent**
Fadil

(10) **Patent No.:** **US D790,826 S**

(45) **Date of Patent:** **** Jul. 4, 2017**

(54) **FOOT ARCH SUPPORT**

4,811,500 A 3/1989 Maccano
D313,884 S * 1/1991 Beckley D2/914
5,794,368 A * 8/1998 Kirby A43B 5/185
36/116

(71) Applicant: **Mark Fadil**, Palo Alto, CA (US)

(72) Inventor: **Mark Fadil**, Palo Alto, CA (US)

(Continued)

(**) Term: **15 Years**

FOREIGN PATENT DOCUMENTS

(21) Appl. No.: **29/549,391**

DE 3436670 4/1986
WO 9215214 9/1992

(Continued)

(22) Filed: **Dec. 22, 2015**

(51) **LOC (10) Cl.** **02-04**

Primary Examiner — Elizabeth J Oswecki

(52) **U.S. Cl.** **D2/961**

(74) *Attorney, Agent, or Firm* — Lambert & Associates;
Gary E. Lambert; David J. Connaughton, Jr.

(58) **Field of Classification Search**

USPC D2/896, 946, 947, 961, 968, 976; 36/83,
36/99, 91, 92, 93, 96, 98, 136, 3 B, 25 R,
36/28, 29, 30 R, 32 R, 43, 44, 71
CPC A43B 1/00; A43B 1/0018; A43B 1/10;
A43B 3/00; A43B 3/10; A43B 3/101;
A43B 3/106; A43B 3/12; A43B 3/122;
A43B 3/126; A43B 3/24; A43B 3/248;
A43B 7/14; A43B 7/1405; A43B 7/141;
A43B 7/1415; A43B 7/142; A43B
7/1445; A43B 7/1475; A43B 7/18; A43B
7/19; A43B 7/22; A43B 7/223; A43B
7/226; A43B 7/32; A43B 7/36; A43B
17/00; A43B 17/003; A43B 17/14

See application file for complete search history.

(57) **CLAIM**

The ornamental design for a foot arch support, as shown and described.

DESCRIPTION

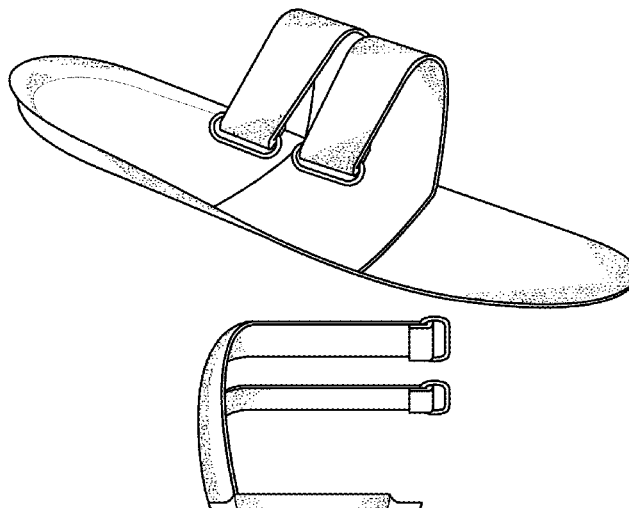
FIG. 1 is a perspective view of a foot arch support showing my new design;
FIG. 2 is a rear elevation view thereof;
FIG. 3 is a front elevation view thereof;
FIG. 4 is a top plan view thereof;
FIG. 5 is a bottom plan view thereof;
FIG. 6 is a left side elevation view thereof;
FIG. 7 is a right side elevation view thereof;
FIG. 8 is another left side elevation view thereof, shown in a used condition with a shoe in broken lines;
FIG. 9 is another perspective view thereof, shown in a used condition in a shoe shown in broken lines; and,
FIG. 10 is another perspective view thereof, shown in a used condition in a shoe with the shoe tongue removed shown in broken lines.
The broken lines shown in the drawings represent portions of the foot arch support that form no part of the claimed design.

(56) **References Cited**

U.S. PATENT DOCUMENTS

1,972,776 A * 9/1934 Hinder A43B 7/141
36/161
2,286,495 A * 6/1942 Matteson A43B 13/20
36/153
2,853,805 A * 9/1958 Dratman A43B 3/16
36/1
2,954,617 A * 10/1960 Yamaguchi A43B 5/08
36/105
3,068,872 A * 12/1962 Brody A43B 23/22
36/154
D235,591 S * 7/1975 Huff 36/11.5

1 Claim, 5 Drawing Sheets



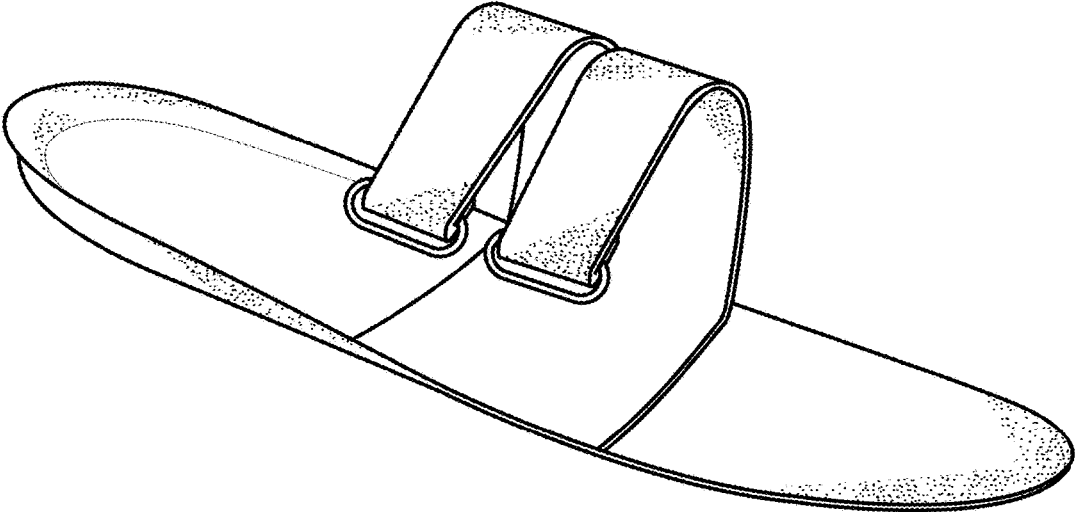


Fig. 1

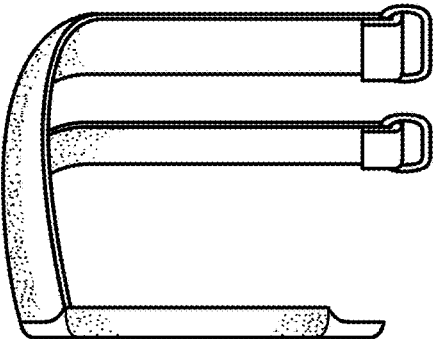


Fig. 2

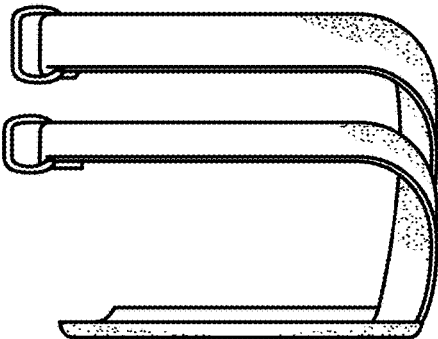


Fig. 3

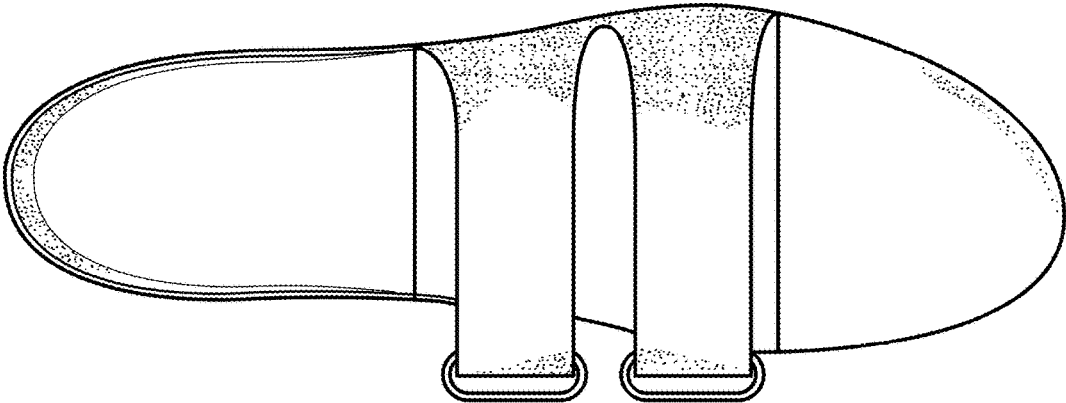


Fig. 4

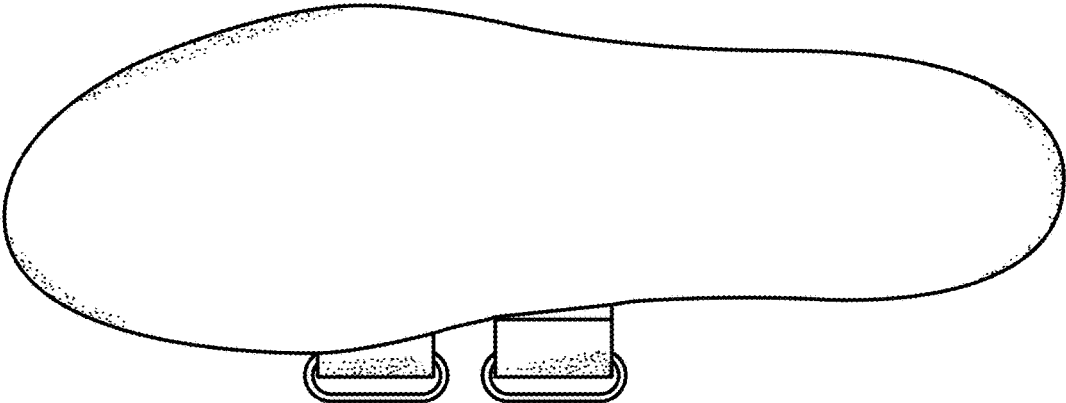


Fig. 5

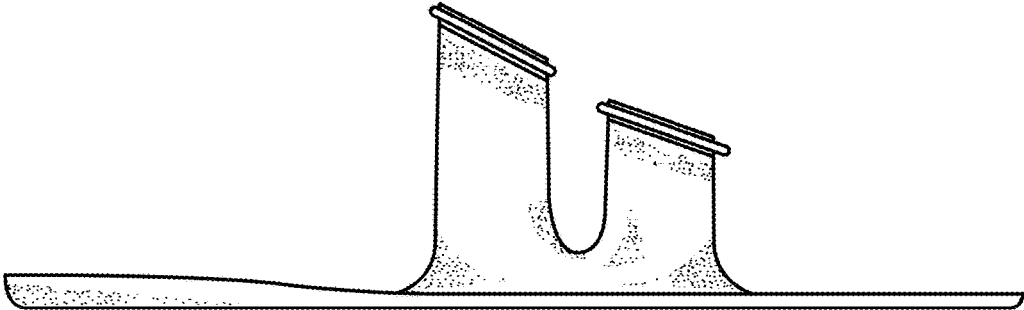


Fig. 6

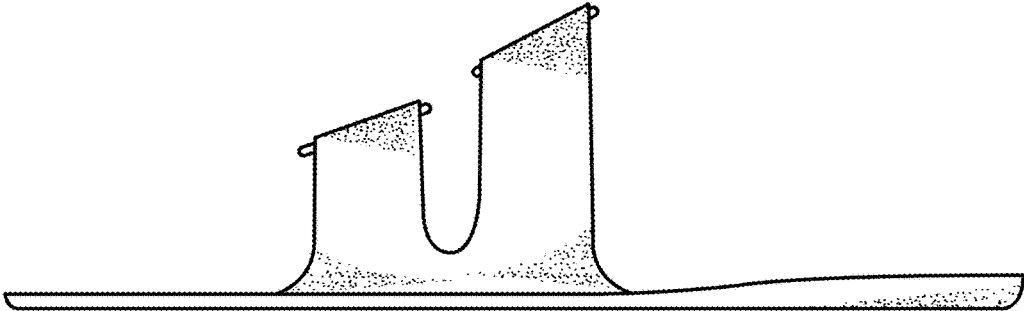


Fig. 7

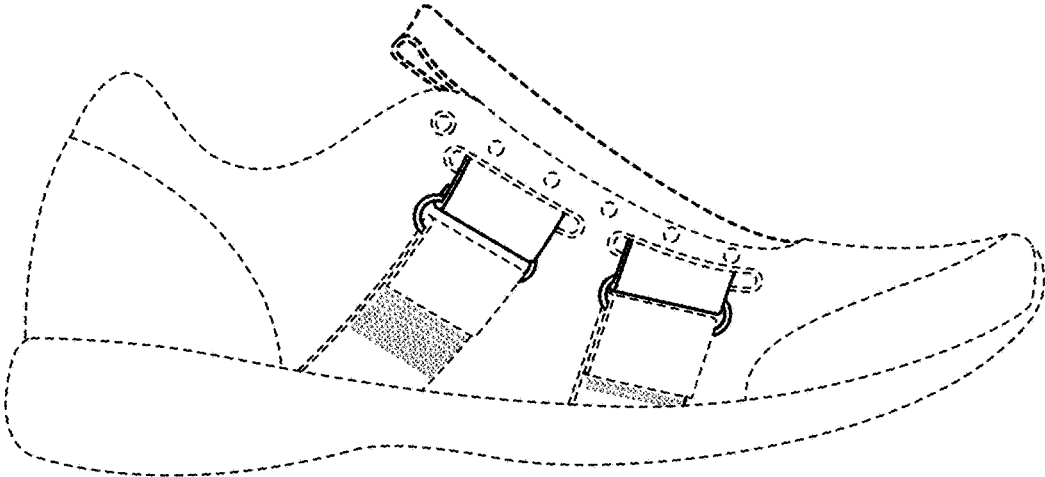


Fig. 8

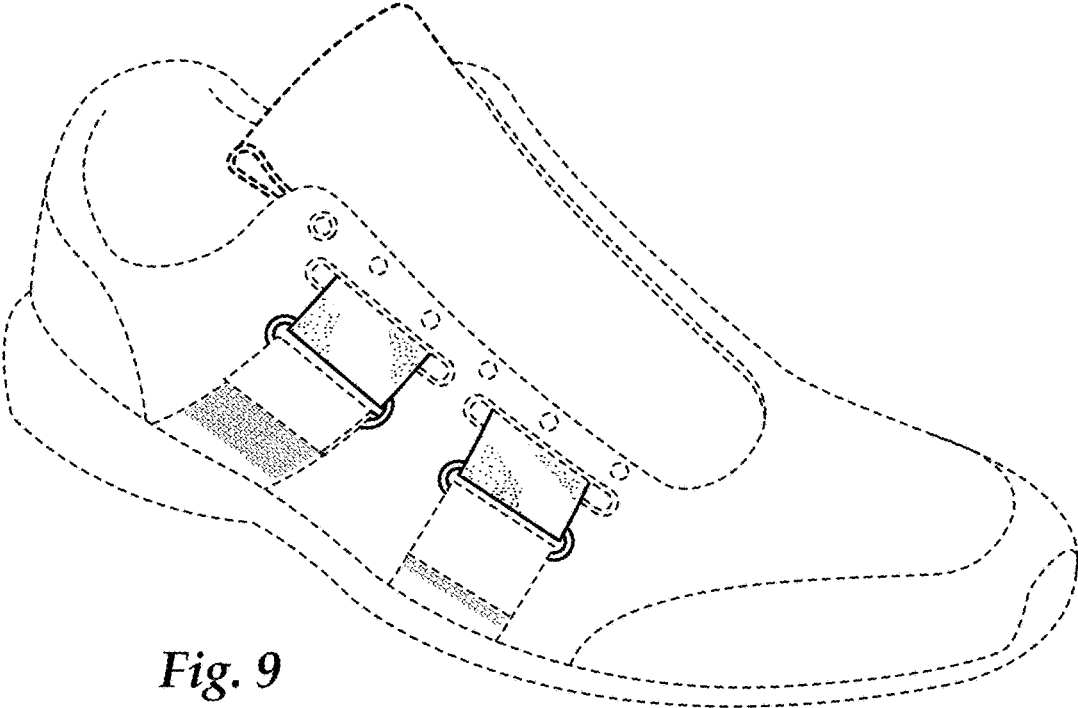


Fig. 9

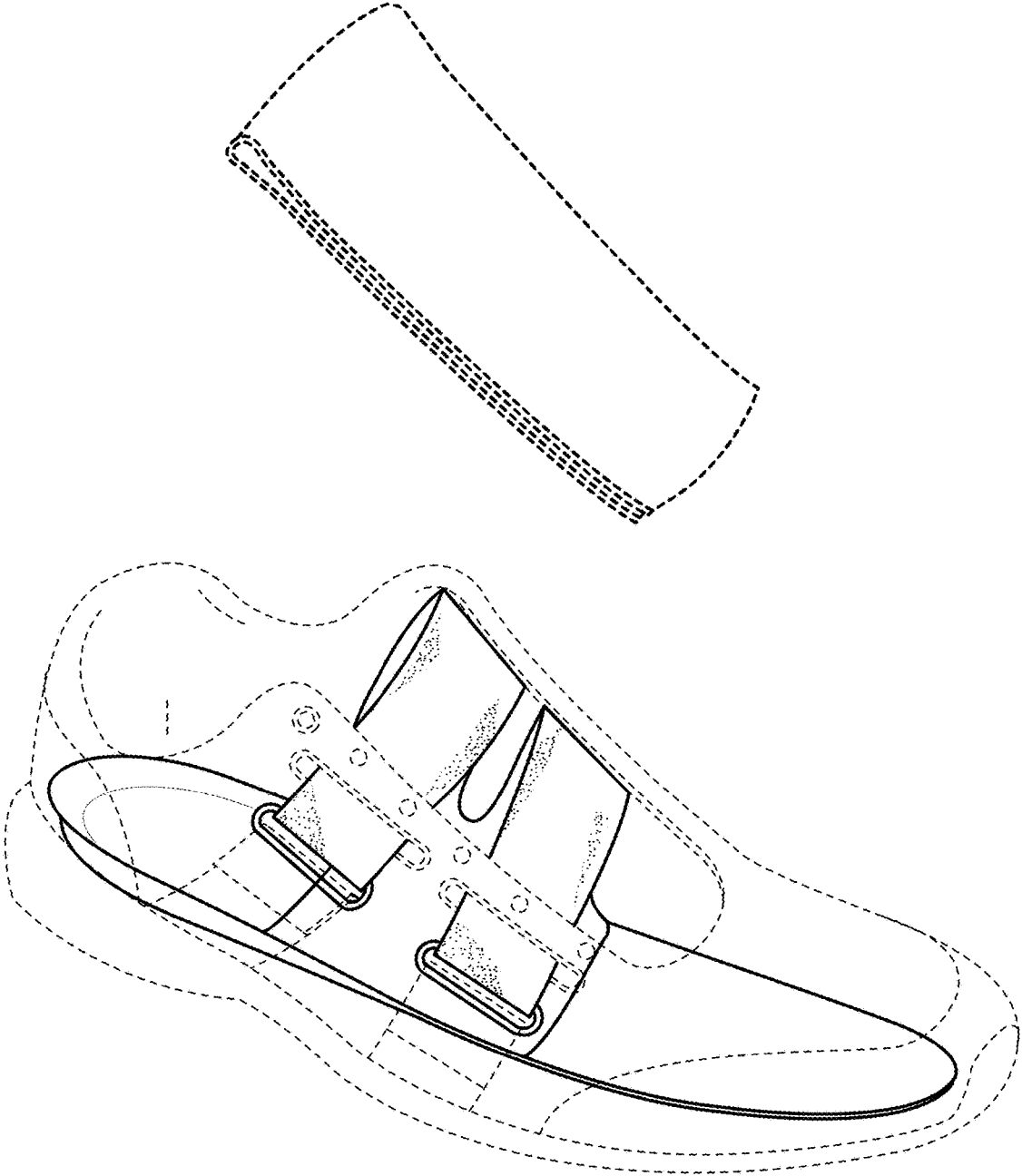


Fig. 10