



US00D652735S

(12) **United States Design Patent**
Chen

(10) **Patent No.:** **US D652,735 S**

(45) **Date of Patent:** **** Jan. 24, 2012**

(54) **BOTTLE**

(75) Inventor: **Rui Yuan Chen**, Orlando, FL (US)

(73) Assignee: **Dart Industries Inc.**, Orlando, FL (US)

(**) Term: **14 Years**

(21) Appl. No.: **29/372,772**

(22) Filed: **Jan. 10, 2011**

(51) **LOC (9) Cl.** **09-01**

(52) **U.S. Cl.** **D9/542; D9/560; D9/564**

(58) **Field of Classification Search** D9/716,
D9/516, 529-530, 541-544, 559-560, 564,
D9/574-575; 215/381-385; D7/509-511
See application file for complete search history.

(56)

References Cited

U.S. PATENT DOCUMENTS

D25,355 S *	4/1896	Smally	D9/522
D46,285 S *	8/1914	Mackenzie	D9/541 X
D139,331 S *	10/1944	Teunisz	D9/560
D178,337 S *	7/1956	Blunt	D9/560
D192,826 S *	5/1962	Du Pree	D9/544
3,058,813 A *	10/1962	Barney, II et al.	73/19.01
D203,006 S *	11/1965	Hulterstrum	D9/542
D204,501 S	4/1966	Ferar		
D205,797 S *	9/1966	Lee	D9/541
D208,731 S *	9/1967	Reintsema	D9/530 X
D228,742 S *	10/1973	McCaleb et al.	D9/542
D266,401 S *	10/1982	Picot	D9/543
D308,337 S *	6/1990	Weckman	D9/542
D320,455 S	10/1991	Malcolm		
D320,859 S	10/1991	Malcolm		
D331,017 S	11/1992	Chan		
D333,704 S	3/1993	Malcolm		
5,261,544 A *	11/1993	Weaver, Jr.	215/384

D353,335 S *	12/1994	Cox	D9/541
D362,807 S *	10/1995	Bech	D9/543
D395,396 S *	6/1998	Kuzma et al.	D9/542
D413,265 S	8/1999	Hestehave et al.		
D481,640 S *	11/2003	Biesecker	D9/560
D488,070 S *	4/2004	Yourist	D9/564 X
D496,282 S *	9/2004	Heliste et al.	D9/542
D531,913 S	11/2006	Heisner et al.		
D569,260 S *	5/2008	Heisner	D9/560
D569,261 S	5/2008	Sequeira		
D569,734 S	5/2008	Imperato et al.		
D571,223 S	6/2008	Imperato et al.		
D598,291 S	8/2009	Serrano Diaz		
D609,104 S	2/2010	Ablo		
D613,160 S	4/2010	Ablo		
D643,295 S *	8/2011	Sadler et al.	D9/575 X

* cited by examiner

Primary Examiner — Carol P Rademaker

(74) *Attorney, Agent, or Firm* — John A. Doninger

(57)

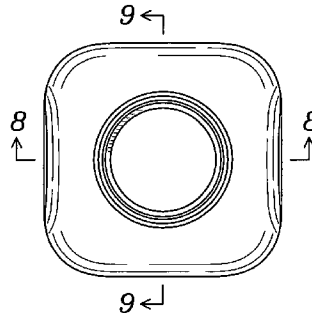
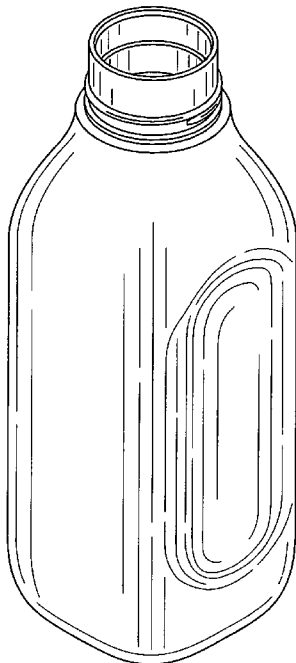
CLAIM

The ornamental design for a bottle, as shown and described.

DESCRIPTION

FIG. 1 is a top side and front perspective view of a bottle showing my new design;
 FIG. 2 is a front elevation view thereof;
 FIG. 3 is a rear elevation view thereof;
 FIG. 4 is a right side elevation view thereof;
 FIG. 5 is a left side elevation view thereof;
 FIG. 6 is a top plan view thereof;
 FIG. 7 is a bottom plan view thereof;
 FIG. 8 is a cross-sectional view along line 8-8 of FIG. 6;
 FIG. 9 is a cross-sectional view along line 9-9 of FIG. 6; and
 FIG. 10 is a cross-sectional view along line 10-10 of FIG. 2.

1 Claim, 4 Drawing Sheets



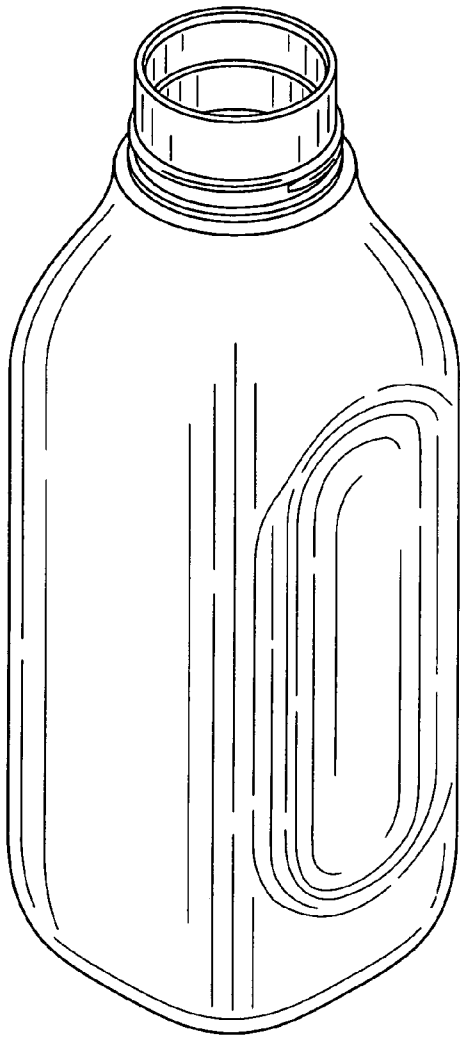
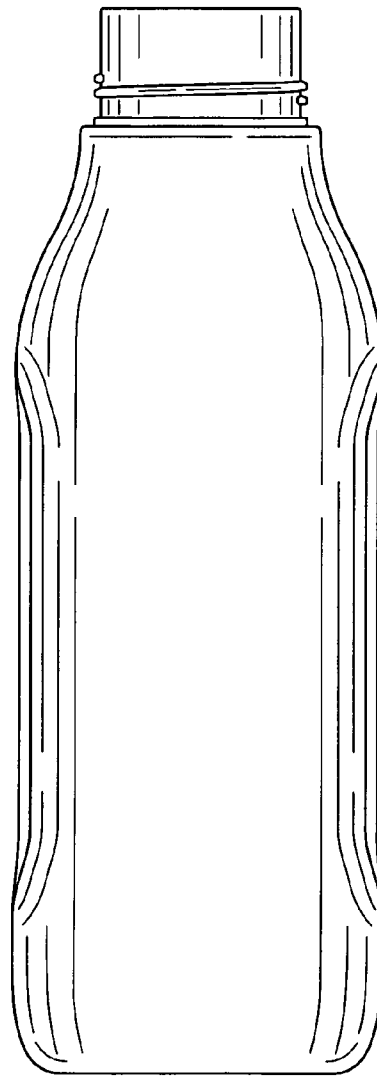


FIG. 1

10
↑



10
↑

FIG. 2

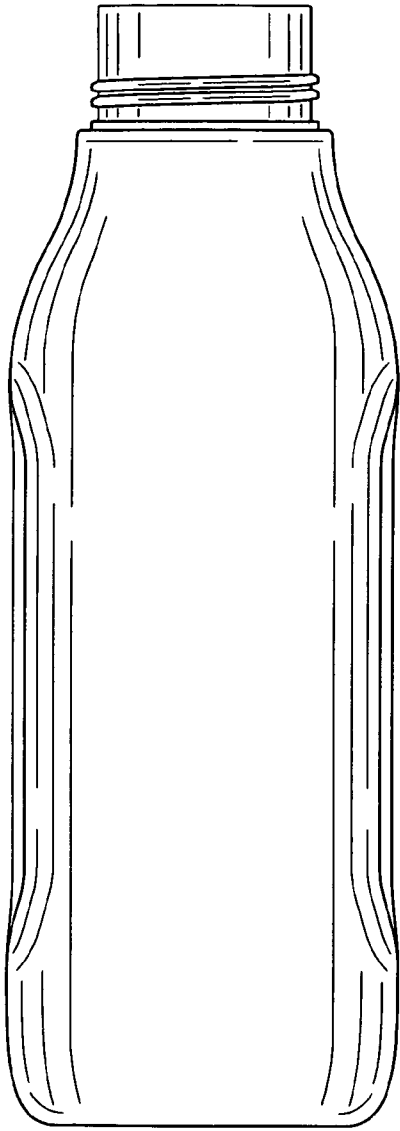


FIG. 3

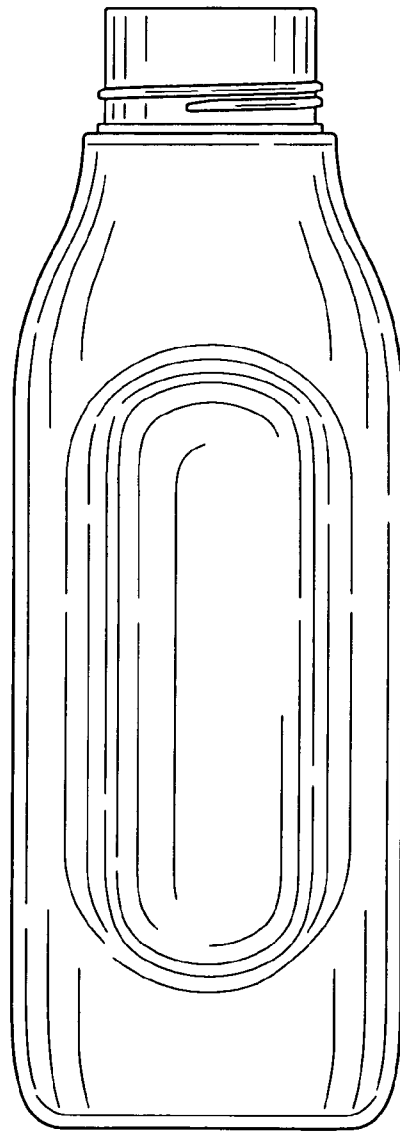


FIG. 4

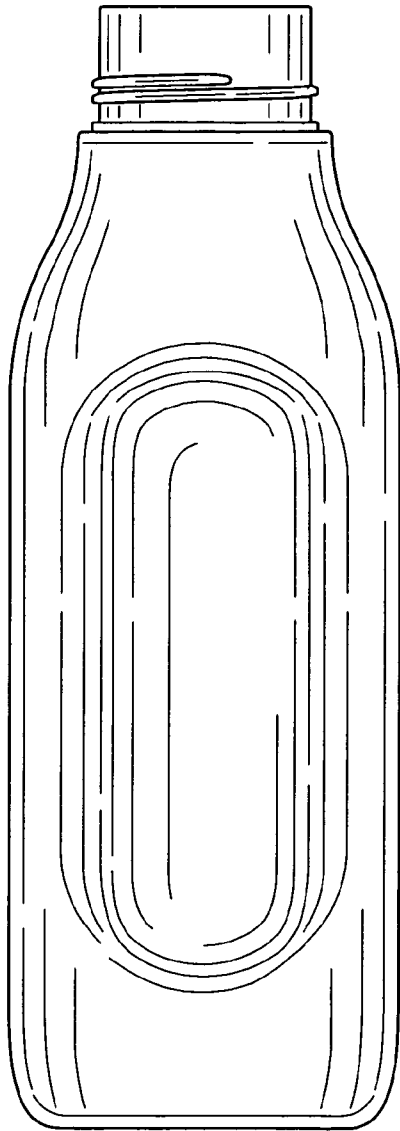


FIG. 5

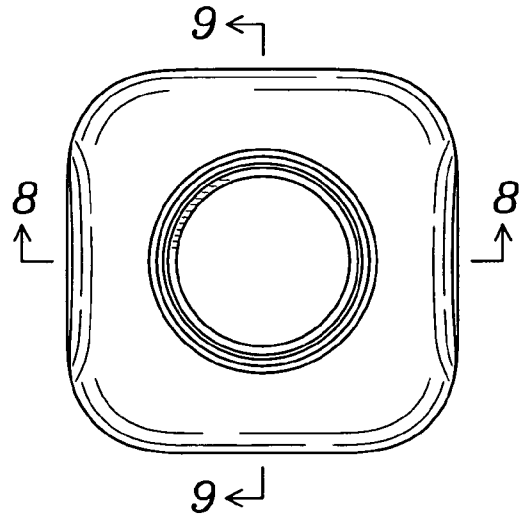


FIG. 6

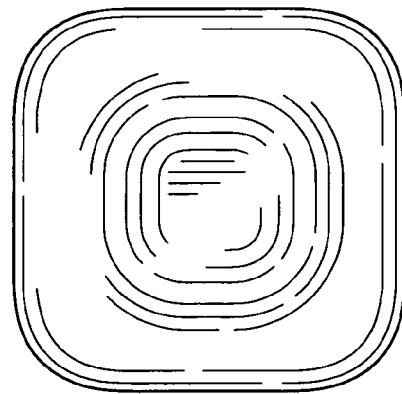


FIG. 7

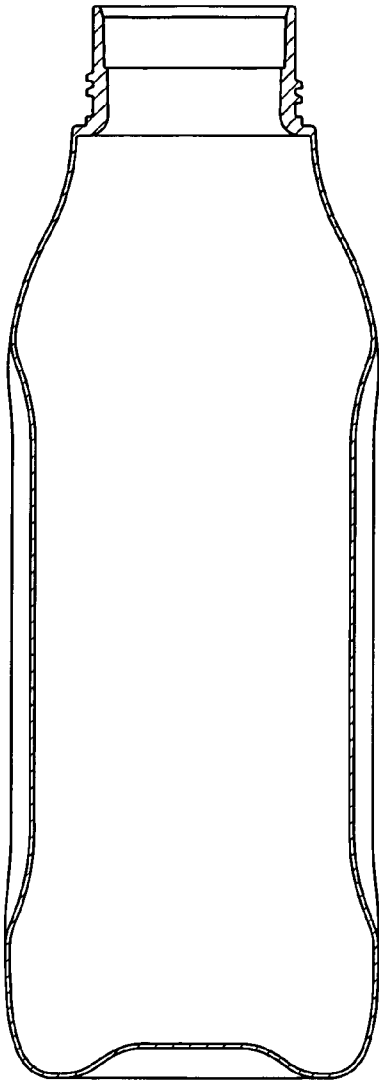


FIG. 8

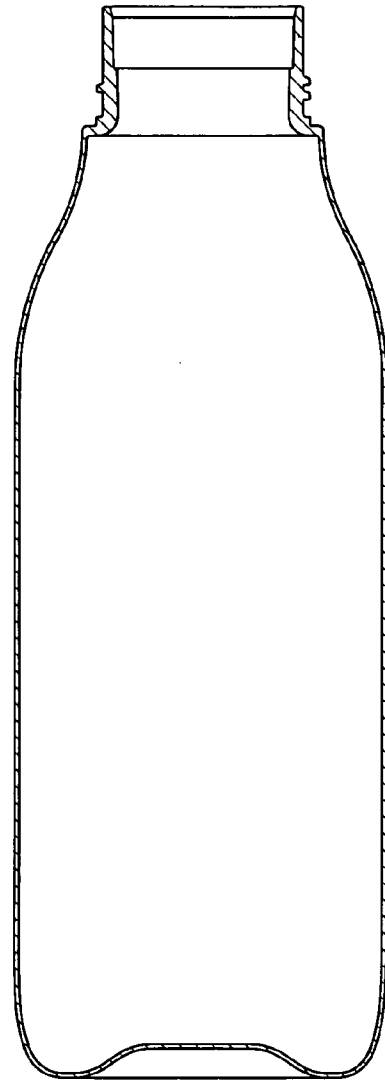


FIG. 9

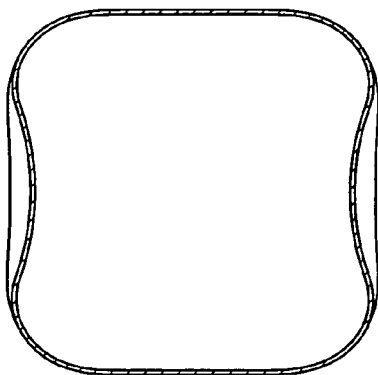


FIG. 10