



US00D941941S

(12) **United States Design Patent**
Tighe et al.

(10) **Patent No.:** **US D941,941 S**

(45) **Date of Patent:** **** Jan. 25, 2022**

(54) **WEIGHT RACK ATTACHMENT**
(71) Applicant: **Coulter Ventures, LLC.**, Columbus, OH (US)

4,638,995 A 1/1987 Wilson
4,666,154 A 5/1987 Lipscomb et al.
4,753,438 A 6/1988 Paris et al.
(Continued)

(72) Inventors: **Charlie Tighe**, Columbus, OH (US);
William Henniger, Columbus, OH (US)

OTHER PUBLICATIONS

Fringe sport attachment, announced 2017 [online], [site visited Apr. 28, 2021]. Available on internet, URL: https://www.amazon.com/Fringe-Sport-Attachment-Weightlifting-Heavy-Duty/dp/B06XQD5ZR4/ref=sr_1_6?dchild=1&keywords=weight+rack+j+cup&qid=1619706341&sr=8-6 (Year: 2017).*

(73) Assignee: **Coulter Ventures, LLC.**, Columbus, OH (US)

(Continued)

(**) Term: **15 Years**

Primary Examiner — Khawaja Anwar
Assistant Examiner — Julice Seung Eun Oum
(74) *Attorney, Agent, or Firm* — Banner & Witcoff, Ltd.

(21) Appl. No.: **29/715,467**

(22) Filed: **Dec. 2, 2019**

(51) **LOC (13) Cl.** **21-02**

(52) **U.S. Cl.**
USPC **D21/686**

(58) **Field of Classification Search**
USPC D21/686, 682, 694, 662, 665, 673, 690,
D21/691, 798, 826, 676, 681, 680, 688,
D21/663, 679, 674; D25/62, 66, 68, 119,
D25/126, 136, 134, 133, 144, 156, 159,
D25/148, 109; D6/329, 536, 553;
D8/323, 354, 330; D12/203, 130, 406;
D24/188

(57) **CLAIM**

The ornamental design for a weight rack attachment, as shown and described.

See application file for complete search history.

DESCRIPTION

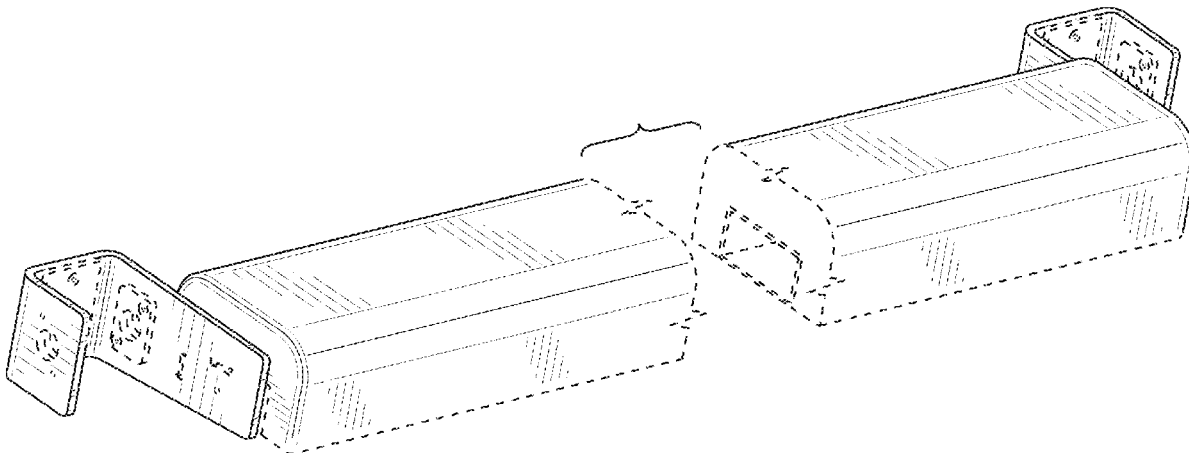
FIG. 1 is a top, front, right perspective view of a weight rack attachment showing my new design;
FIG. 2 is a front view thereof;
FIG. 3 is a rear view thereof;
FIG. 4 is a left side view thereof;
FIG. 5 is a right side view thereof;
FIG. 6 is a top view thereof;
FIG. 7 is a bottom view thereof; and,
FIG. 8 is a bottom, front, left perspective view thereof.
The broken lines immediately adjacent to the shaded area define the bounds of the claimed design and form no part thereof. The broken lines depicting the remainder of the weight rack attachment show features that form no part of the claimed design. The zig-zag lines and the bracket shown on the center of the weight rack attachment indicate indeterminate length and form no part of the claimed design.

(56) **References Cited**

U.S. PATENT DOCUMENTS

2,673,737 A	3/1954	Daniels
3,006,643 A	10/1961	Ryan
D212,193 S	9/1968	Rudy
3,857,561 A	12/1974	Cecchetti et al.
D265,575 S	7/1982	Lunford
4,369,966 A	1/1983	Silberman et al.
4,461,287 A	7/1984	Takahashi
D280,922 S	10/1985	Sieder

1 Claim, 8 Drawing Sheets



(56)

References Cited

U.S. PATENT DOCUMENTS

D298,959 S 12/1988 DeGalvez
 D300,157 S 3/1989 Yates
 4,923,194 A 5/1990 Montgomery
 D320,823 S 10/1991 Tanner
 D320,824 S 10/1991 Cordon
 5,082,260 A 1/1992 Dinelli
 D324,708 S 3/1992 Walsh
 5,221,246 A 6/1993 Torii
 5,290,213 A 3/1994 Sheikowitz
 5,306,220 A 4/1994 Kearney
 5,755,823 A 5/1998 Cleary
 5,876,311 A 3/1999 Coates et al.
 6,074,328 A 6/2000 Johnson
 6,422,982 B1 7/2002 Retel
 D471,992 S * 3/2003 Hughes D25/122
 D484,252 S * 12/2003 Hughes D25/121
 6,685,601 B1 2/2004 Knapp
 6,692,417 B2 2/2004 Burrell
 D503,757 S 4/2005 Sjurdagardi
 7,125,371 B2 10/2006 Henderson
 7,144,353 B2 12/2006 Sjuragari
 D554,209 S * 10/2007 Loucks D21/691
 7,338,416 B2 3/2008 Smith
 7,534,200 B1 5/2009 Martinez
 7,651,449 B1 1/2010 Balentine
 7,662,067 B2 2/2010 Payne
 D613,804 S 4/2010 Perez
 7,699,756 B2 4/2010 Piane, Jr.
 D617,400 S 6/2010 Hetzel et al.
 7,731,631 B2 6/2010 Collias
 7,815,555 B2 10/2010 Webber et al.
 D633,962 S 3/2011 Stacey
 8,021,273 B2 9/2011 Kopp
 D666,259 S 8/2012 Garcia
 D671,659 S * 11/2012 Clayton D25/126
 D686,287 S 7/2013 Boatwright
 D734,410 S * 7/2015 Childs D21/686
 D735,821 S * 8/2015 Alenaddaf D21/686
 9,095,742 B2 8/2015 Henniger et al.
 D752,161 S 3/2016 Wartenbergh
 9,295,871 B2 3/2016 Luedeka
 9,327,153 B2 5/2016 Wallisch
 D759,170 S 6/2016 Louis
 9,409,220 B2 8/2016 Henniger et al.
 D771,276 S * 11/2016 Walker D25/38.1
 9,517,382 B2 12/2016 Payne
 9,597,539 B2 3/2017 Grider
 D845,045 S 4/2019 Dunahay
 D849,160 S 5/2019 Lau
 D850,543 S 6/2019 Lau
 D852,289 S 6/2019 Jones et al.
 D854,635 S 7/2019 Dunahay
 D862,136 S 10/2019 Dunahay
 D866,689 S 11/2019 Jones et al.
 D886,214 S 6/2020 Jones et al.
 D908,823 S * 1/2021 Scott D21/694
 2002/0082145 A1 6/2002 Hamilton
 2005/0187083 A1 8/2005 Krystoff
 2009/0124471 A1 5/2009 Storch
 2010/0152007 A1 6/2010 Le et al.
 2012/0142506 A1 6/2012 Hetrick et al.
 2013/0324383 A1 12/2013 Rogers
 2014/0087928 A1 3/2014 Luedeka
 2015/0014212 A1 1/2015 Beaver et al.
 2015/0016919 A1 * 1/2015 Tambornino F16B 35/06
 411/366.1
 2015/0290488 A1 10/2015 Hopperstad et al.
 2016/0129302 A1 5/2016 Vallo et al.
 2017/0120099 A1 5/2017 Biddix, Jr.
 2017/0209733 A1 7/2017 Beaver et al.

2017/0246496 A1 * 8/2017 Nelson A63B 21/0783
 2018/0117382 A1 5/2018 Johanson et al.
 2018/0243597 A1 8/2018 Schlegel
 2018/0326250 A1 11/2018 Henniger et al.
 2018/0353795 A1 12/2018 Ostmeyer et al.
 2019/0046835 A1 2/2019 Henniger et al.
 2020/0179744 A1 6/2020 Arroyo
 2021/0101428 A1 * 4/2021 Bowles B60R 9/06

OTHER PUBLICATIONS

Product listing for Rogue R-3W Fold Back Wall Mount Rack from <https://web.archive.org/web/20181022030706/https://www.roguefitness.com/rogue-r-3w-fold-back-wall-mount-rack>, dated Oct. 22, 2018.
 Product listing for Rogue RML-3W Fold Back Wall Mount Rack from <https://web.archive.org/web/20190313144932/https://www.roguefitness.com/rogue-rml-3w-fold-back-wall-mount-rack>, dated Mar. 13, 2019.
 Product listing for Rogue RML-3WC Fold Back Wall Mount Rack from <https://web.archive.org/web/20190331202349/https://www.roguefitness.com/rogue-rml-3wc-fold-back-wall-mount-rack-custom-color-edition>, dated Mar. 31, 2019.
 Product listing for Rogue Rig Mount Parallel Bars from <https://web.archive.org/web/20170417164647/https://www.roguefitness.com/rogue-rig-mount-parallel-bars>, dated Apr. 17, 2017.
 Photos of Rogue Rig Mount Parallel Bars from <https://web.archive.org/web/20170417164647/https://www.roguefitness.com/rogue-rig-mount-parallel-bars>, dated Apr. 17, 2017.
 Product listing for Rogue V2 Face Mount Pull-up Bar for Monster Lite from <https://web.archive.org/web/20161105161238/https://www.roguefitness.com/rogue-v2-face-mount-pull-up-bar-for-monster-lite>, dated Nov. 5, 2016.
 Photos of Titan 30" X-3 Parallel Bars, from <https://www.titan.fitness/30-x-3-parallel-bars.html>, dated Nov. 20, 2018, product known to be available prior to Apr. 6, 2018, but not prior to Apr. 17, 2017.
 Photos of Titan 24" T-3 Parallel Bars, from <https://www.titan.fitness/24-t-3-parallel-bars.html>, dated Nov. 20, 2018, product known to be available prior to Apr. 6, 2018, but not prior to Apr. 17, 2017.
 Photos of Titan 36" T-3 Parallel Bars, from <https://www.titan.fitness/36-t-3-parallel-bars.html>, dated Nov. 20, 2018, product known to be available prior to Apr. 6, 2018, but not prior to Apr. 17, 2017.
 Product listing for Rogue Monster Lite Rack Mount Leg Roller, from <https://web.archive.org/web/20170710185245/https://www.roguefitness.com/rogue-monster-lite-rack-mount-leg-roller>, dated Jul. 10, 2017.
 Product listing for 3x3 42" Spotter Bars from <https://web.archive.org/web/20160711122314/https://americanbarbell.com/products/42-spotter-bars-pair>, dated Jul. 11, 2016.
 Product listing for ATX Spotter Bars 75cm from <https://web.archive.org/web/20180329105535/https://samsfitness.com.au/racks-cages-stands-smiths/atx-commercial-power-racks/atx-spotter-bars-75cm>, dated Mar. 29, 2018.
 Product listing for Cage Spotting Rail Pair 675mm—Blue from <https://web.archive.org/web/20190315034747/https://www.alphafit.com.au/cage-spotting-rail-675mm>, dated Mar. 15, 2019.
 Product listing for Full Safety Bars from <https://www.sorinex.com/products/full-safety-bars>, dated Mar. 27, 2020, product available at least as early as May 2, 2019.
 Product Listing for XM Spotter Arms Attachment from <https://unified-fitness-group.myshopify.com/products/xm-spotter-arms-attachment>, dated Mar. 27, 2020, product available at least as early as May 2, 2019.
 Product Listing for Flip Down Safety Bars for T-3 Power Racks from <https://www.titan.fitness/flip-down-safety-bars-for-t-3-power-racks.html>, dated Mar. 27, 2020, product available at least as early as May 2, 2019.

* cited by examiner

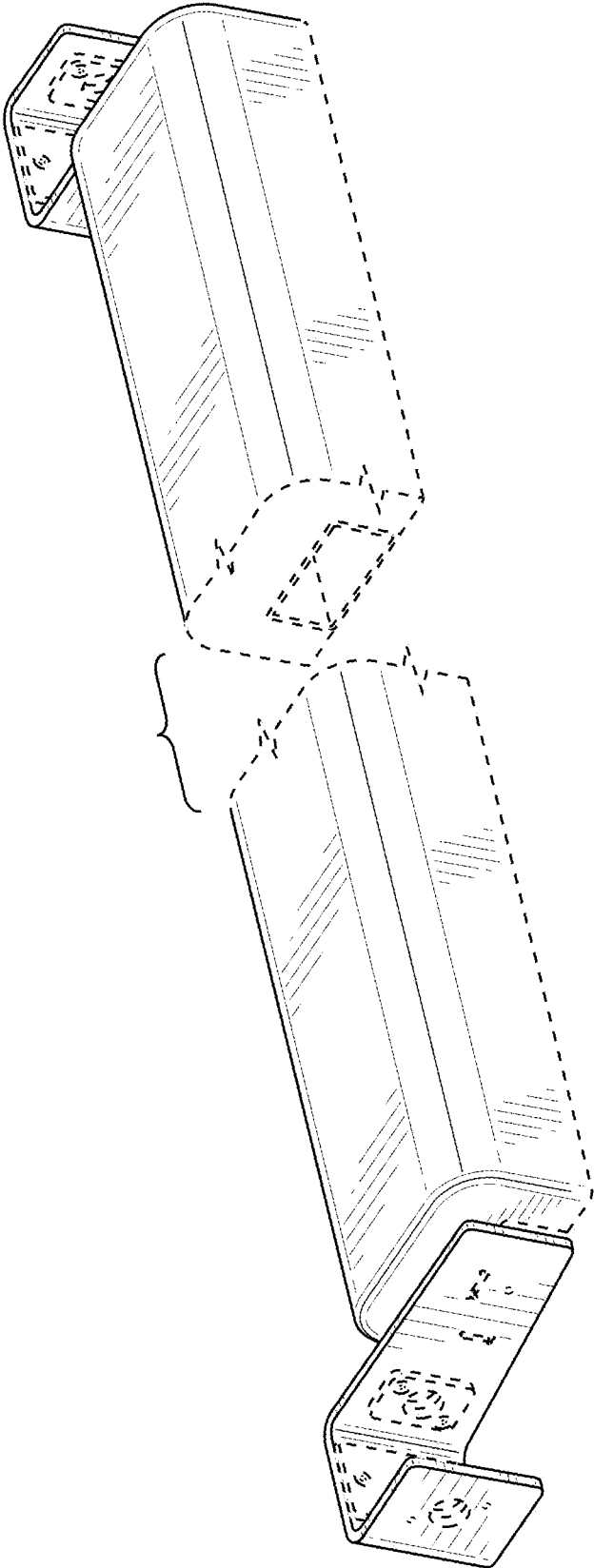


FIG. 1

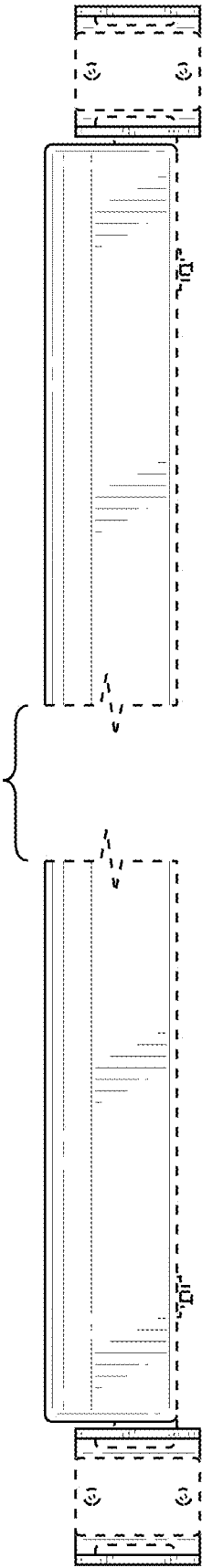


FIG. 2

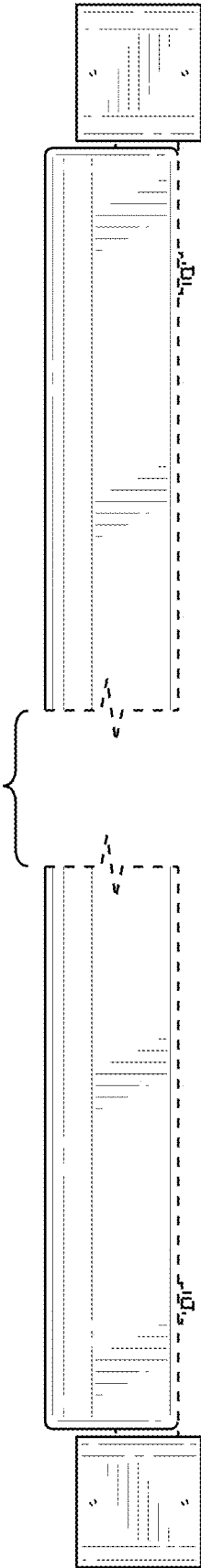


FIG. 3

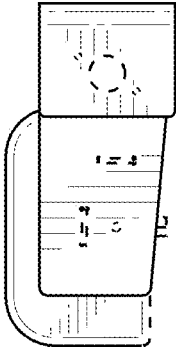


FIG. 4

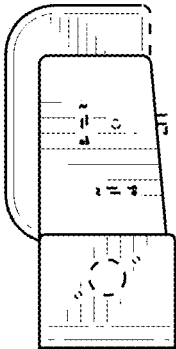


FIG. 5

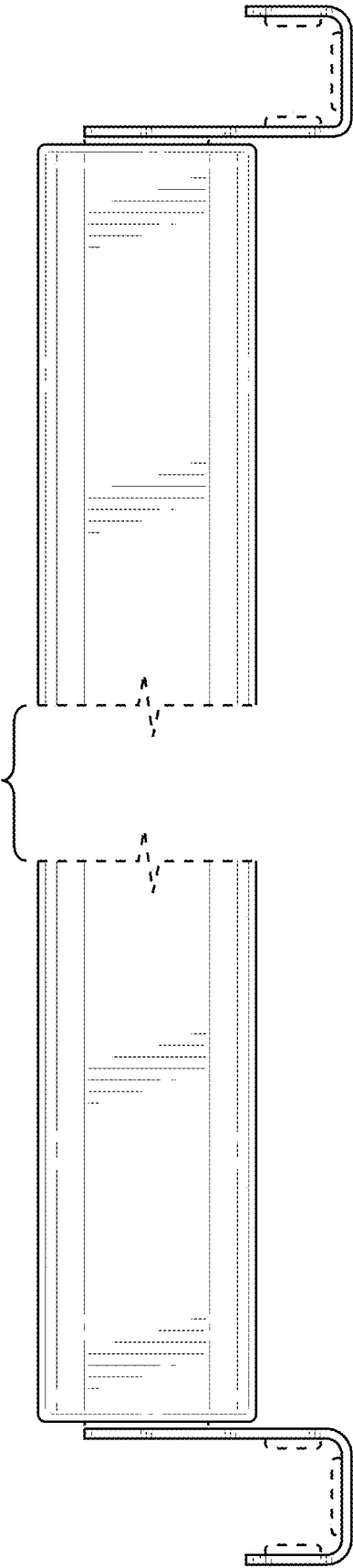


FIG. 6

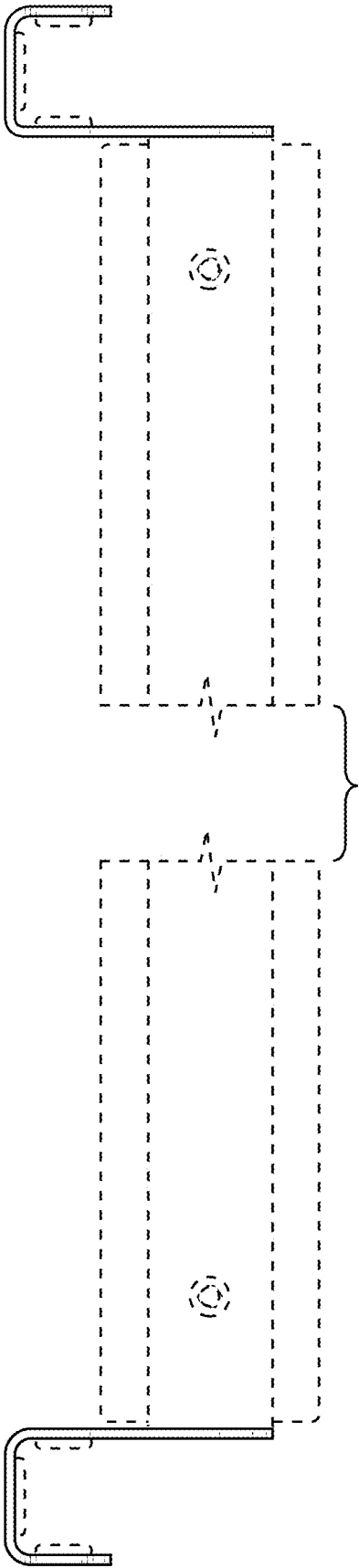


FIG. 7

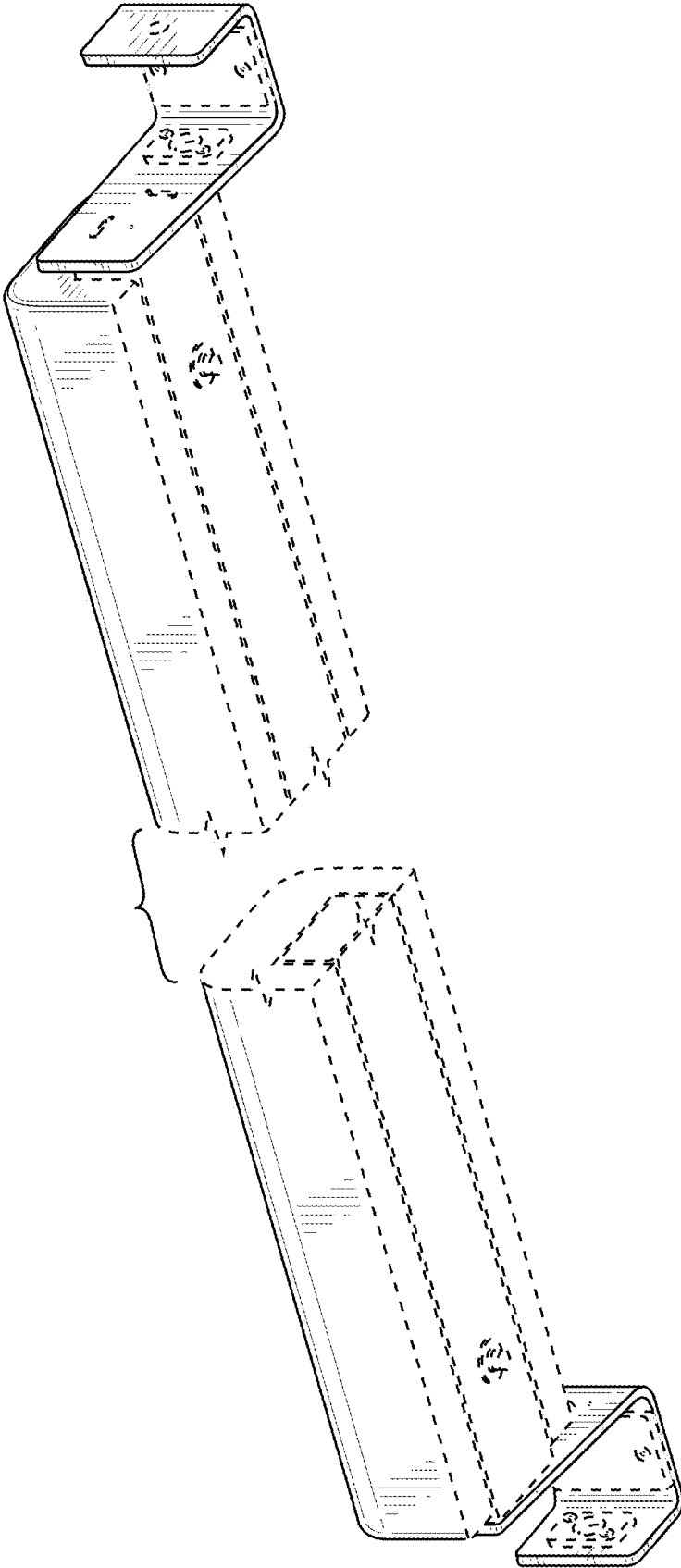


FIG. 8