

(19) World Intellectual Property Organization
International Bureau



(43) International Publication Date
26 April 2007 (26.04.2007)

PCT

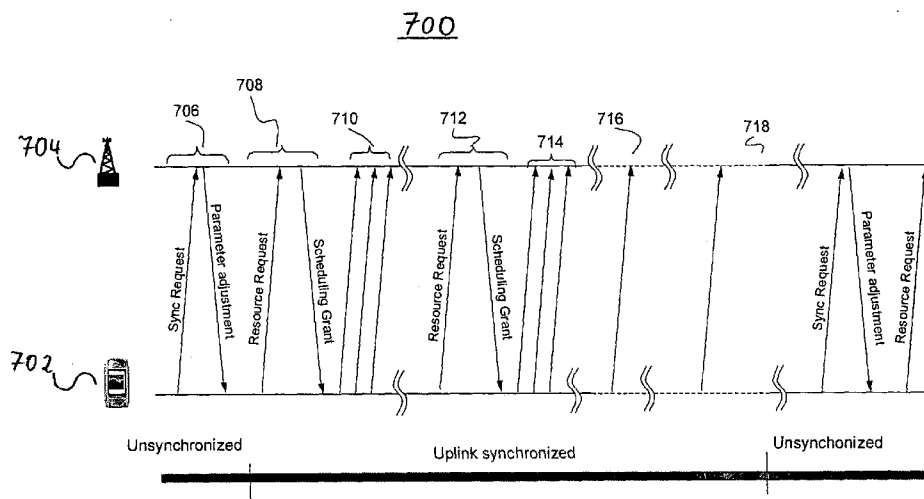
(10) International Publication Number
WO 2007/045505 A1

- (51) **International Patent Classification:**
H04B 7/26 (2006.01) *H04J 3/06* (2006.01)
- (21) **International Application Number:**
PCT/EP2006/010163
- (22) **International Filing Date:** 20 October 2006 (20.10.2006)
- (25) **Filing Language:** English
- (26) **Publication Language:** English
- (30) **Priority Data:**
0502349-4 21 October 2005 (21.10.2005) SE
- (71) **Applicant (for all designated States except US):** TELEFONAKTIEBOLAGET LM ERICSSON (publ) [SE/SE]; S-16483 Stockholm (SE).
- (72) **Inventors; and**
- (75) **Inventors/Applicants (for US only):** BALDEMAIR, Robert [AT/SE]; Inetckningsvägen 16, S-129 31 Hägersten (SE). EDVARDSSON, Maria [SE/SE]; Sjöbrisgränd 14, S-177 70 Järfälla (SE). DAHLMAN, Erik [SE/SE]; Tackjärnsvägen 12, S-168 68 Bromma (SE). HAARTSEN, Jacobus Cornelis [NL/NL]; Bruchterweg 81, NL-7772 BG Hardenberg (NL). PARKVALL, Stefan [SE/SE]; Sigtunagatan 18, S-113 22 Stockholm (SE).
- (74) **Agent:** RÖTHINGER, Rainer; Wuesthoff & Wuesthoff, Schweigerstrasse 2, 81541 München (DE).
- (81) **Designated States (unless otherwise indicated, for every kind of national protection available):** AE, AG, AL, AM, AT, AU, AZ, BA, BB, BG, BR, BW, BY, BZ, CA, CH, CN, CO, CR, CU, CZ, DE, DK, DM, DZ, EC, EE, EG, ES, FI, GB, GD, GE, GH, GM, GT, HN, HR, HU, ID, IL, IN, IS, JP, KE, KG, KM, KN, KP, KR, KZ, LA, LC, LK, LR, LS, LT, LU, LV, LY, MA, MD, MG, MK, MN, MW, MX, MY, MZ, NA, NG, NI, NO, NZ, OM, PG, PH, PL, PT, RO, RS, RU, SC, SD, SE, SG, SK, SL, SM, SV, SY, TJ, TM, TN, TR, TT, TZ, UA, UG, US, UZ, VC, VN, ZA, ZM, ZW.
- (84) **Designated States (unless otherwise indicated, for every kind of regional protection available):** ARIPO (BW, GH, GM, KE, LS, MW, MZ, NA, SD, SL, SZ, TZ, UG, ZM, ZW), Eurasian (AM, AZ, BY, KG, KZ, MD, RU, TJ, TM), European (AT, BE, BG, CH, CY, CZ, DE, DK, EE, ES, FI, FR, GB, GR, HU, IE, IS, IT, LT, LU, LV, MC, NL, PL, PT, RO, SE, SI, SK, TR), OAPI (BF, BJ, CF, CG, CI, CM, GA, GN, GQ, GW, ML, MR, NE, SN, TD, TG).

Published:
— with international search report
— before the expiration of the time limit for amending the claims and to be republished in the event of receipt of amendments

For two-letter codes and other abbreviations, refer to the "Guidance Notes on Codes and Abbreviations" appearing at the beginning of each regular issue of the PCT Gazette.

(54) **Title:** TECHNIQUE FOR PERFORMING A RANDOM ACCESS PROCEDURE OVER A RADIO INTERFACE



(57) **Abstract:** The invention relates to a technique for performing a random access procedure over a radio interface (106), for example between a mobile terminal (102) and a radio base station (104) of a mobile network (108). A method aspect of the invention comprises the steps of transmitting a synchronization request (112) for synchronization information; receiving synchronization information (114) in response to the synchronization request; and transmitting, based on at least one transmission parameter adjusted in accordance with the synchronization information, a resource request (116) for data transmission resources.

WO 2007/045505 A1

Technique for Performing a Random Access Procedure over a Radio Interface

Field of the Invention

The present invention generally relates to radio interfaces of wireless networks, and in particular to air interfaces of mobile networks. More specifically, the invention relates to a technique for performing a random access procedure over a radio interface.

Background of the Invention

Today, not only mobile telephones but also other mobile terminals, such as PDAs (Personal Digital Assistants), notebooks, etc., exchange data with wireless networks via radio interfaces. Typically, a radio base station of a network serves the mobile terminal by routing data received from the terminal through the network towards the recipient, and by transmitting data received from the network side over the radio interface towards the mobile terminal.

The available transmission resources such as frequency (bandwidth), time (timeslots available in transmission frames) and transmission power are generally limited and therefore have to be used as efficiently as possible. In this respect, the base station controls not only the resource parameters for downlink transmissions (from the base station to the terminal), but also for the uplink transmissions (from the terminal to the base station). For the uplink, the base station has to ensure that the mobile terminal is synchronized with the transmission scheme of the radio interface with appropriate accuracy. To this end the base station analyzes a received uplink signal, derives appropriate adjustment values for the uplink transmission parameters used by the terminal and sends synchronization information indicating the necessary adjustments towards the mobile terminal, which then has to adjust its transmission parameters accordingly. The synchronization information may comprise (for one or more of the transmission parameters) either a value for the transmission parameter itself or an adjustment value enabling the terminal to adjust the transmission parameter accordingly.

Whereas the synchronization of the mobile terminal may be performed in a straightforward manner in case of an existing uplink connection during which signals from the terminal are continuously received and analyzed at the base station, no such

- 2 -

analysis is possible in case the terminal wants to connect for the first time (for example at power-up or during a handover) or from a standby status (in which the terminal only listens to the downlink). In these circumstances a random access procedure has to be performed to achieve synchronization.

The random access procedure serves several other purposes also. For example the terminal needs an (at least temporary) identification to be addressable by the base station. Further, the terminal needs to provide some information such that the base station can decide to grant access to the network. Additionally, some information regarding the required uplink/downlink resources has to be exchanged.

Any resource allocation, for example the resource allocation for the random access procedure itself, is based on the transmission scheme utilized over the radio interface. A straightforward allocation scheme may comprise reserving in a semi-permanent way a particular channel, which may be specified by particular orthogonal resources such as time slot(s) and frequency band(s), which then may be used by the terminal for its uplink transmission. However, the reserved resources are then blocked for use by other terminals, which means that resources are wasted in case the mobile terminal does not use the reserved channel to its full extent (for example because the transmission buffer is momentarily empty). On the other hand, the reserved resources may not be sufficient to allow fast transmission of data in case the transmission buffer is full. As a further drawback, this straightforward allocation scheme is dimension-limited, i.e. only a particular number of users (determined by the available orthogonal resources) can be served.

During the random access procedure, uplink transmission parameters such as time, frequency and power are not accurately aligned with the transmission scheme as predetermined by the radio base station. Therefore, in an orthogonal scheme additional resources have to be provided for the random access to avoid interference of the typically misaligned random access bursts with synchronized normal bursts, which are, for instance, transmitted in neighbouring time slots. These extra resources comprise for example guard periods and guard bands in the time and frequency dimension, respectively.

In another transmission scheme known for example from WCDMA (Wideband Code Division Multiple Access) systems, the uplink channel provided to the terminal is based on non-orthogonal resources, i.e. the terminal may send its data using arbi-

rary time slots and/or frequency bands. While such a system is not dimension-limited, inter-user interference increases with increasing numbers of concurrently sending terminals, which degrades the performance and thus the throughput. In addition, fast power control is required to accurately control the transmission power of each terminal.

There is thus a need for a resource-efficient random access procedure which addresses at least some of the drawbacks set forth above.

Summary of the Invention

According to a first aspect of the invention, a method of performing a random access procedure over a radio interface is proposed. The method comprises the steps of transmitting a synchronization request for synchronization information; receiving synchronization information in response to the synchronization request; and transmitting, based on at least one transmission parameter adjusted (e.g. set or changed) in accordance with the synchronization information, a resource request for data transmission resources.

The radio interface may be the air interface of a mobile network, for example a GSM (Global System for Mobile Communication) or UMTS (Universal Mobile Telecommunication System) network. The method may be performed in a mobile terminal requesting access to a radio base station of a wireless network serving the radio interface or in any other device during a random access procedure.

The steps of transmitting a synchronization request and of receiving synchronization information may be performed with the intention to achieve symbol accurate synchronization between the mobile terminal and the radio base station, i.e. any transmission of the terminal during a particular time slot will have to fit into the corresponding time slot at the base station such that none of the transmitted symbols exceeds the base station time slot.

The synchronization request may be represented by an access burst, which is formed to enable the base station to analyze, e.g. based on the frequency band and time period occupied by the access burst, the alignment of transmissions from the terminal with the transmission scheme provided by the base station. Additionally the base

station may be enabled to provide (adjustment) values in the synchronization information to the mobile terminal.

The synchronization request may carry only a limited amount of information which is required for synchronizing the mobile terminal with the base station. For example, a temporary or random identification (ID) of the terminal may be provided, which is particularly suited for the synchronization steps. As, for example, the ID may only be used for the synchronization steps, it may comprise only a small number of bits. On the other hand, information related to network admission or requested resources may be omitted in the synchronization request.

A mobile terminal may adjust its transmission parameters according to the received synchronization information. The resource request therefore may already be transmitted using a normal burst with a symbol-accurate alignment over the radio interface. The resource request may specify resources required for an exchange of user and/or control data. As an example, for a location update the mobile terminal may request the assignment of a dedicated control channel. As another example, for the transfer of user data (e.g., application data) the terminal may request the assignment of a data channel with a particular bandwidth (e.g. for streaming data) or may request the assignment of transmission resources for a specific amount of data.

In one variant of the invention, the method may comprise the further steps of receiving resource information in response to the resource request and transmitting data using resources in accordance with the resource information. The base station may provide further control information along with the resource information to the mobile terminal, for example a temporary ID which may replace an ID used during the synchronization steps and may comprise, e.g., a larger number of bits.

The method may comprise the step of transmitting, in case further data is to be transmitted, at least one further resource request. No preceding synchronization may be required in this case.

In one implementation of the invention, the method comprises the step of starting a synchronization timer in response to at least one of the reception of synchronization information and the transmission of data. Synchronization between terminal and base station can often be maintained as long as the terminal sends data, as then the base station can analyse the received signals. In case no data is transmitted, synchroniza-

- 5 -

tion may fade away within a particular time period. The synchronization timer may thus be set appropriately to guarantee a predefined synchronization level.

The expiry time of the synchronization timer may be set according to a prediction of a validity of the synchronization information. For example, the expiry time may be set according to tolerances related to the electronic circuitries in the mobile terminal and the base station. In one variant of the invention, the expiry time of the synchronization timer may be set according to a measured relative velocity. For example, if a mobile terminal moves with a high velocity relative to the base station, the expiry time may be set to a short value. The expiry time of the synchronization timer may also be based on a prediction of a cell change of the terminal, which requires synchronization with a new base station.

The method may comprise the transmission of a further synchronization request on expiry of the synchronization timer. In this variant, the expiry time may take into account any fading in the synchronization.

In some implementations of the invention, the method comprises the further step of transmitting a ping signal for keeping synchronization. The ping signal may comprise an empty or a dummy payload, but may also comprise signalling data which has been purposefully kept in the transmission buffer for being transmitted with the ping signal. The ping signal may be sent before synchronization has faded away, such that the signal may use a normal (regular) transmission resource and ensures in a resource-efficient way that synchronization is maintained over the radio interface. In case no signalling data is to be transmitted, the ping signal may comprise the least possible amount of data (to not waste resources over the radio interface).

The ping signal may be transmitted on expiry of the synchronization timer. In this case the expiry time may be set to a value smaller than the synchronization fade away time. Additionally or alternatively, the ping signal may be transmitted in response to a polling request received over the radio interface. The base station may be configured to send – periodically or on a need basis – the polling request to trigger the transmission of signals from the mobile terminal.

According to a second aspect of the invention, a method of performing a random access procedure for a radio interface is proposed, wherein the method comprises the steps of receiving a synchronization request for synchronization information;

- 6 -

transmitting, based on the synchronization request, the synchronization information; and receiving, based on at least one transmission parameter adjusted according to the synchronization information, a resource request for data transmission resource.

The method may be performed in a radio base station serving the radio interface. For example, the radio base station may be a BTS (Base Transceiver Station) or BSC (Base Station Center) of a base station subsystem in a GSM network, or the base station may be a Node-B or RAN-controller in an UMTS network.

The synchronization request may have been transmitted over the radio interface by a mobile terminal. The radio base station may analyze the received synchronization request (which may be represented by an access burst) to calculate at least one transmission parameter adjustment value and thus to determine synchronization information for aligning the transmissions of the mobile terminal with the transmission scheme provided by the radio base station. Based on the synchronization information, the terminal may adjust one or more of its transmission parameters and may then transmit, based on the adjusted transmission parameter(s), a resource request.

The radio base station may further perform the steps of transmitting resource information in response to the resource request; and scheduling resources according to the resource information. In one implementation of the invention, the method comprises the step of receiving at least one further resource request for further data transmission. As long as the mobile terminal and the radio base station are synchronized with each other, no repetition of the initial synchronization steps is required.

In one variant of the invention, the method comprises the step of starting a synchronization timer in response to at least one of reception of the synchronization request, reception of the resource requests and reception of data. The timer value may be predefined or may be set according to information included in the received synchronization request. This implementation may further comprise the step of transmitting, on expiry of the synchronization timer, a request for a ping signal. In that case the expiry time of the timer might be set such that synchronization is presumably still accurate enough and the ping signal may be sent in the form of a normal transmission burst. Additionally or alternatively, the radio base station may determine if a request for a ping signal is to be transmitted based on an analysis of regular uplink traffic.

According to a further aspect of the invention, a computer program product is proposed, which comprises program code portions for performing the steps of any one of the method aspects of the invention described herein, when the computer program product is executed on one or more computing devices, for example a mobile terminal or a radio base station of a wireless network. The computer program product may be stored on any computer readable recording medium, for example a hard-drive, memory, CD-Rom or DVD. Additionally or alternatively, the computer program product may be provided for download by a download server. The downloading may be achieved, for example, via the Internet.

According to a further aspect of the invention, a mobile terminal is proposed, which is adapted for performing a random access procedure over a radio interface. The device comprises a sync-request component adapted for transmitting a synchronization request for synchronization information; a sync-response component adapted for receiving synchronization information associated to the synchronization request; and a transmission control component adapted for transmitting, based on at least one transmission parameter adjusted according to the synchronization information, a resource request for data transmission resource.

According to a still further aspect of the invention, a radio base station is proposed, which is adapted for performing a random access procedure over a radio interface. The base station comprises a sync-request component adapted for receiving a synchronization request for synchronization information; a sync-response component adapted for transmitting, based on the synchronization request, the synchronization information; and a resource request component adapted for receiving, based on at least one transmission parameter adjusted according to the synchronization information, a resource request for data transmission resources. The sync-request component may comprise a sub-component adapted to calculate, based on the received synchronization request, at least one transmission parameter adjustment value.

Brief Description of the Drawings

In the following, the invention will further be described with reference to exemplary embodiments illustrated in the drawings, in which:

Fig. 1 is a schematic illustration of an embodiment of a communication system;

- Fig. 2 is a functional block diagram schematically illustrating an embodiment of a mobile terminal;
- Fig. 3 is a functional block diagram schematically illustrating an embodiment of a radio base station;
- Fig. 4 is a flow diagram schematically illustrating steps of an embodiment of a method for performing a random access procedure over a radio interface in a mobile terminal;
- Fig. 5 is a flow diagram schematically illustrating an embodiment of a method for providing a random access channel for a radio interface in a radio base station;
- Figs. 6A, 6B schematically illustrate a first and second embodiment of a data transmission scheme;
- Fig. 7 schematically illustrates a sequence of transmissions between a mobile terminal and a base station.

Detailed Description of the Preferred Embodiments

In the following description, for purposes of explanation and not limitation, specific details are set forth, such as specific network types including particular network nodes, communication protocols etc., in order to provide a thorough understanding of the current invention. It will be apparent to one skilled in the art that the current invention may be practised in other embodiments that depart from these specific details. For example, the skilled artisan will appreciate that the current invention may be practised with wireless networks different from the mobile network discussed below to illustrate the present invention. Rather, the invention may be practised with any wireless network in which a random access procedure is performed over the radio interface. This may include for example HIPERLAN networks (HIPERLAN is a standard for wireless local area networks).

Those skilled in the art will further appreciate that functions explained hereinbelow may be implemented using individual hardware circuitry, using software functioning

in conjunction with a programmed microprocessor or a general purpose computer, using an application specific integrated circuit (ASIC) and/or using one or more digital signal processors (DSPs). It will also be appreciated that when the current invention is described as a method, it may also be embodied in a computer processor and a memory coupled to a processor, wherein the memory is encoded with one or more programs that perform the methods disclosed herein when executed by the processor.

Fig. 1 schematically illustrates an embodiment of a communication system 100 including a mobile terminal 102 and a radio base station 104 which may exchange data with each other via a radio interface 106. The base station 104 belongs to a mobile network 108.

In order to set up a connection for data exchange, the mobile terminal 102 has to get access via the base station 104 to the network 108. A random access procedure has to be performed for synchronizing the terminal with the transmission scheme of the radio interface 106 and for granting resources to the terminal (and possibly other purposes). As a preparatory step, the terminal 102 listens to a downlink control channel (DCCH) 110, which is broadcasted by the base station 104 into the served radio cell. The DCCH may announce, for example, cell ID and network ID, channel configurations related to the utilized transmission scheme, random access related information, and parameters for connection setup.

Based on the broadcasted information, the mobile terminal 102 then performs the random access procedure. The procedure includes the transmission of an access burst 112 representing a synchronization request for synchronization information. The radio base station 104 analyzes the access burst 112, determines transmission parameter settings or adjustments to align the transmissions of the terminal 102 with the transmission scheme over the radio interface 106 and sends synchronization information including appropriate transmission parameter setting or adjustment values in a synchronization response 114 to the terminal 102.

The mobile terminal 102 extracts the transmission parameter setting or adjustment values from the synchronization response 114 and sets or adjusts its transmission parameters accordingly. Based on the new transmission parameters, the terminal 102 then transmits a resource request 116 indicating requested transmission re-

sources. The base station 104 then may provide appropriate resources for data exchange (uplink, downlink) at the radio interface 106 to the mobile terminal 102.

Fig. 2 schematically illustrates functional building blocks of an embodiment of a mobile terminal 200, which is adapted for performing a random access procedure over a radio interface 202. The terminal 200 may be an implementation of the mobile terminal 102 of Fig. 1.

The terminal 200 comprises a transmission control component 204 which is adapted to control transmissions via an antenna 206 over the radio interface 202. The terminal 200 further comprises a sync-request component 208, which is adapted for transmitting a synchronization request for synchronization information. The component 208 constructs the request and provides it to the transmission control component 204, which then controls the transmission of an access burst accordingly.

The terminal 200 further comprises a sync-response component 210, which is adapted for receiving synchronization information in response to the synchronization request. The component 210 receives a synchronization response from the radio interface 202, extracts the synchronization information and provides an indication of adjusted transmission parameters to the transmission control component 204, which controls subsequent transmissions accordingly.

A resource request component 212 prepares a resource request for data transmission resources for transmission of data over the radio interface 202. The resource request is provided to the transmission control component 204, which is adapted for transmitting the request according to the adjusted transmission scheme, i.e. based on at least one transmission parameter adjusted according to the synchronization information, over the radio interface 202.

Fig. 3 schematically illustrates the functional building blocks of an embodiment of a radio base station 300, which is adapted for performing a random access procedure over a radio interface 302. The base station may be an implementation of the base station 104 of Fig. 1.

The radio base station comprises an antenna 304 for receiving a transmission information via the radio interface 302. The base station 300 further comprises a reception control component 306, which may include, e.g., filters for separating the

various uplink transmission channels provided for the radio interface 302. The base station 300 further comprises a sync-request component 308, which is adapted for receiving a synchronization request for synchronization information. The component 308 analyses the received access burst and determines misalignments with the transmission scheme provided by the base station 300 for the radio interface 302. For example, the component 308 may determine the timing advance value required for proper alignment of the transmission timings scheme of a mobile terminal with the time slot scheme supported by the base station 300. Another example of such a misalignment is a frequency offset that should be corrected for proper alignment of the transmission scheme of a mobile terminal with the transmission scheme supported by the base station 300.

The sync-request component 308 provides an indication of transmission parameter adjustments to a sync-response component 310, which prepares a synchronization response including synchronization information indicating the transmission parameter adjustments. The sync-response component 310 may be a sub-component of a transmission control component (not shown) of the base station 300 which generally controls transmissions of the radio base station over the radio interface 302.

The radio base station 300 further comprises a resource scheduling component 312, which is adapted for receiving, based on at least one transmission parameter adjusted according to the synchronization information, a resource request for data transmission resources. One or more particular uplink channels may be provided in the transmission scheme supported by the base station 300 for transmitting resource requests. The component 312 may then determine appropriate transmission resources and may trigger the transmission of an indication of the provided resources to the requesting mobile terminal.

Fig. 4 schematically illustrates the steps of an embodiment of a method 400 for performing a random access procedure over a radio interface, which may for example be performed in the mobile terminal 102 of Fig. 2 or in mobile terminal 200 of Fig. 2.

The method is triggered in step 402, for example by a control signal indicating that a random access procedure has to be performed in order to exchange data over a radio interface. In step 404, a synchronization request for synchronization information is transmitted. In step 406, synchronization information is received in response to the synchronization request. In step 408, based on at least one transmission pa-

- 12 -

parameter adjusted in accordance with the synchronization information, a resource request for data transmission resources is transmitted. Based on the resource request, resource information may be received (not shown) and data may be transmitted using resources in accordance with the resource information. In case further data is to be transmitted (step 410), a further resource request is transmitted. In case no data is to be transmitted anymore, the method ends in step 412 with the mobile terminal going into, e.g., standby status.

Fig. 5 schematically illustrates the steps of an embodiment of a method 500 of performing a random access procedure over a radio interface, which may be executed in a radio base station, for example the radio base station 104 of Fig. 1 or base station 300 of Fig. 3.

The method starts in step 502 with the reception of a synchronization request for synchronization information. Based on the received request, at least one transmission parameter adjustment value may be calculated. In step 504, synchronization information is transmitted based on the synchronization request. In step 506, a resource request for data transmission resource is received, which is based on at least one transmission parameter adjusted according to the synchronization information. In response to the resource request, resource information may be transmitted (not shown) and resources may be scheduled in the base station according to the resource information. In step 508 and possibly further subsequent steps, a further resource request may be received for a further data transmission. In step 510, the method ends.

Fig. 6A illustrates an embodiment of a random access channel 600 with time extending to the right and frequency extending upwards. Access bursts 602 are transmitted in time slots 604. Each access burst 602 may represent a synchronization request. As the timing of the access bursts 602 is not exactly aligned with the timing of the time slots 604 of the base station serving the radio interface, guard periods have to be provided within each access time slot 604. As a result, the time resources reserved for the random access channel 600 are used with a lower efficiency.

Fig. 6B illustrates an embodiment of a transmission scheme 610 in which the transmission bursts 612 are accurately aligned with the time slots 614. The time slots 614 may be assigned to the transmission of user or control data. As an example, the time slots designated as #1, #2 and #3 may be assigned to transmissions of three mobile

terminals. The transmission parameters of each of the mobile terminals are accurately adjusted, therefore only small guard periods are required. Vice versa, the transmission bursts carrying the transmission data may fill the time slots to a large extent, such that the available transmission resources are efficiently used.

Figs. 6A and 6B illustrate the inefficient and the efficient use of time resources over a radio interface without and with proper alignment. Similar relations hold for other resources such as frequency and transmission power.

Fig. 7 schematically illustrates communications between a mobile terminal 702 and a radio base station 704 in an exemplary embodiment. In steps 706, a synchronization request is sent by the terminal 702 to the base station 704 requesting adjustment values for transmission parameters. As the access burst uses the transmission resources with low efficiency (see Fig. 6A), the information included in the synchronization request is restricted to a minimum. For example, no transmission resources are requested with the synchronization request. In response to the synchronization request, the network, i.e. the base station 704 and/or another access control node of the network, analyses the access burst carrying the synchronization request to determine transmission parameter adjustments. These adjustments are provided as synchronization information to the terminal 702.

In the steps 708, a resource request is sent from the mobile terminal 702 to the base station 704. The request may contain, for example, information regarding the terminal identity, an amount of data and/or a required bandwidth, a priority assigned to the data (if any), the amount of transmission power available, and further information related to the requested uplink data transmission. The resource request is transmitted using transmission parameters that have been set in accordance with the synchronization information received from the base station 704; therefore transmission resources are used efficiently (see Fig. 6B). In steps 710, further data are transmitted using the scheduled resources.

A complete random access procedure as performed before a connection set-up of the terminal 702 may comprise at least the synchronization steps 706 and the resource assignment steps 708. In case further data are to be transmitted, the terminal 702 may transmit in steps 712 a further resource request, which may be answered by the base station 704 with a further grant of resources in the uplink. It is assumed that at

- 14 -

this time the uplink is still in synchronization, thus a repetition of the steps 706 can be skipped. Further data may be transmitted in steps 714.

The uplink will generally stay in synchronization as long as the terminal is transmitting data in the uplink as the base station typically analyzes the received signals and determines transmission parameter adjustment values. Updated parameter adjustments may then continuously be provided to the terminal. This procedure can not be performed in case the terminal has stopped data transmission in the uplink. Accordingly, after a certain time the transmission parameters will no longer be valid, i.e. synchronization has faded away.

A timer mechanism may be used in one or both of the mobile terminal and the base station. This mechanism provides an indication related to the validity of the uplink transmission parameters used by the mobile terminal. As an example, the timer may be (re)started in case the terminal has just received an update of its transmission parameters or in case the terminal has transmitted uplink data. In one embodiment, on expiry of the timer the uplink transmission parameters are considered to be outdated and a (re)synchronization is required prior to any (further) data transmission. The value of the timer may either be set to a fixed value, or may be configurable by the network (the base station) or by the terminal. For example, the timer value may depend on the velocity of the terminal relative to the base station. A smaller timer value may be used in case the terminal moves with a high velocity.

In an alternative embodiment, which is illustrated in Fig. 7, the timer is set to an expiry value such that it expires with a high likelihood before the synchronization between terminal 702 and base station 704 has faded away. In this configuration, some arbitrary signal can be transmitted to the base station, which only has to satisfy the requirement that the base station may analyse the synchronization status. For example, a "ping" mechanism may be used in this request: The terminal transmits a "ping" signal (step 716), which – analogously to the "ping" mechanism known from the Internet area – carries an empty payload or a dummy payload and serves the only purpose to provide the basis for a measurement of the uplink synchronization. The ping signal may be used in case no other data has to be transmitted in the uplink. In case some uncritical data has to be transported over the uplink, transmission of these data may be delayed until a ping signal is to be sent; in this case the ping signal may carry the uncritical data instead of an empty or a dummy payload. As an example, the ping signal may be used for the transport of channel quality reports.

The ping signal may be transmitted at regular intervals as long as no other user data are available for uplink transmission. The ping interval may be fixedly configured in the network and/or the terminal, but may also be configured according to the terminal situation. For example, the ping signal may be sent with a high frequency in case the terminal moves with a high velocity. An estimation of the terminal speed may be based on measurements of the network and/or the terminal or may be based on the size of the timing adjustment values provided in the downlink.

If no signalling or user data has been scheduled for transmission during a particular time period, which may be predetermined, the terminal may stop the ping procedure (step 718 in Fig. 7), such that the uplink goes out-off-sync after some time.

In one embodiment, the transmission of ping signals by the mobile terminal may be controlled by the network. For example, the base station may use an explicit polling mechanism to thereby trigger transmission of data, e.g. dummy data, from the terminal at suitable time instants. One implementation of a polling scheme may comprise to schedule a zero-sized payload in the downlink, thereby forcing the terminal to respond with a feedback signal such as an ACK (Acknowledgement) message or a NACK (Not Acknowledged) message. The timing of the polling requests may be determined as has been described above for the ping timer in the terminal. Both the ping timer in the terminal and the polling timer in the network may be used in parallel.

The technique proposed herein comprises dividing a random access procedure into at least two parts, namely a first part addressing a synchronization aspect and a second part addressing a resource admission aspect. This allows an optimization of the transmission schemes for each of the parts separately. Once synchronization has been achieved, no further synchronization request is required as long as the terminal stays in synchronization. As the access burst representing the synchronization request uses considerable transmission resources, reducing the number of synchronizations according to the technique proposed herein may save considerable transmission resources in the uplink. Resources provided at the radio interface for random access (e.g. orthogonal random access channels) can be used more efficiently. Vice versa, less resources may have to be reserved for random access. Once pure synchronization has been achieved, any further information typically provided in the uplink during a random access procedure can then be transmitted with efficient usage of the

- 16 -

uplink resources. As synchronization and resource admission are separated, the terminal can easily be kept in a synchronization state, in case no data is available for transmission, using various resource-efficient mechanisms; for example, a ping-type signal may be used.

While the current invention has been described in relation to its preferred embodiments, it is to be understood that this disclosure is for illustrative purposes only. Accordingly, it is intended that the invention be limited only by the scope of the claims appended hereto.

Claims

1. A method of performing a random access procedure over a radio interface, the method comprising the following steps:
 - transmitting (404) a synchronization request for synchronization information;
 - receiving (406) synchronization information in response to the synchronization request; and
 - transmitting (408), based on at least one transmission parameter adjusted in accordance with the synchronization information, a resource request for data transmission resources.

2. The method according to claim 1, comprising the further steps of
 - receiving resource information in response to the resource request; and
 - transmitting data using resources in accordance with the resource information.

3. The method according to claim 2, comprising the step of transmitting (408), in case further data is to be transmitted (410), at least one further resource request.

4. The method according to any one of the preceding claims, comprising the step of starting a synchronization timer in response to at least one of the reception of synchronization information and the transmission of data.

5. The method according to claim 4, wherein the synchronization timer is set according to a validity of the synchronization information.

6. The method according to claim 4 or 5, wherein the synchronization timer is set according to a measured velocity.

7. The method according to any one of claims 4 to 6, wherein a further synchronization request is transmitted on expiry of the synchronization timer.

- 18 -

8. The method according to any one of the preceding claims, comprising the further step of transmitting at least one ping signal (716) for maintaining synchronization.

9. The method according to claim 8, wherein the ping signal comprises signalling data.

10. The method according to claim 8 or 9 in combination with one of claims 4 to 7, wherein the ping signal is transmitted on expiry of the synchronization timer.

11. The method according to any one of claims 8 to 10, wherein the ping signal is transmitted in response to a polling request received over the radio interface.

12. A method of performing a random access procedure over a radio interface, the method comprising the steps of:

- receiving (502) a synchronization request for synchronization information;
- transmitting (504), based on the synchronization request, the synchronization information; and
- receiving (506), based on at least one transmission parameter adjusted according to the synchronization information, a resource request for data transmission resources.

13. The method according to claim 12, comprising the further steps of

- transmitting resource information in response to the resource request; and
- scheduling resources according to the resource information.

14. The method according to claim 12 or 13, comprising the step of receiving (508) at least one further resource request.

15. The method according to any one of claims 12 to 14, comprising the step of starting a synchronization timer in response to at least one of the reception of the synchronization request, the reception of the resource request and the reception of data.

- 19 -

16. The method according to claim 15, comprising the step of transmitting, on expiry of the synchronization timer, a request for a ping signal.

17. A computer program product comprising program code portions for performing the steps of any one of the preceding claims when the computer program product is executed on one or more computing devices.

18. The computer program product of claim 17, stored on a computer readable recording medium.

19. A mobile terminal adapted for performing a random access procedure over a radio interface (106, 202), the mobile terminal (102, 200) comprising:

- a sync-request component (208) adapted for transmitting a synchronization request for synchronization information;
- a sync-response component (210) adapted for receiving synchronization information in response to the synchronization request; and
- a transmission control component (204) adapted for transmitting, based on at least one transmission parameter adjusted according to the synchronization information, a resource request for data transmission resources.

20. A radio base station adapted for performing a random access procedure over a radio interface, the base station (104, 300) comprising:

- a sync-request component (308) adapted for receiving a synchronization request for synchronization information;
- a sync-response component (310) adapted for transmitting, based on the synchronization request, the synchronization information; and
- a resource scheduling component (312) adapted for receiving, based on at least one transmission parameter adjusted according to the synchronization information, a resource request for data transmission resources.

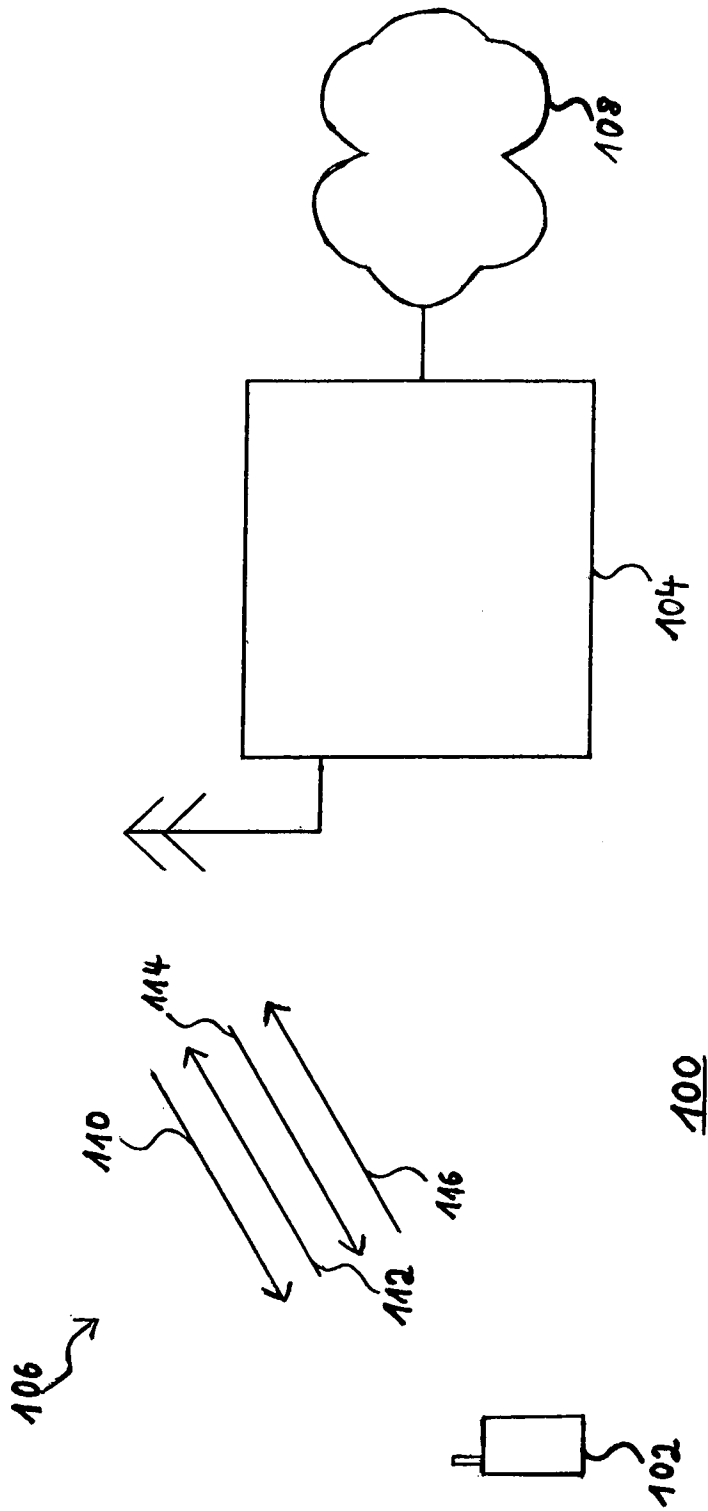


Fig. 1

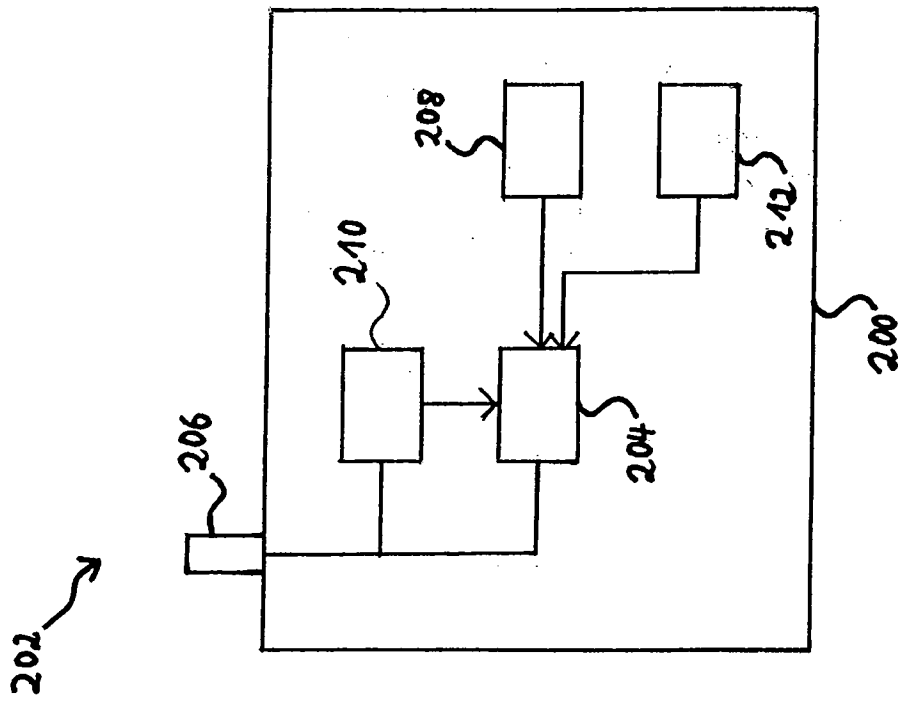


Fig. 2

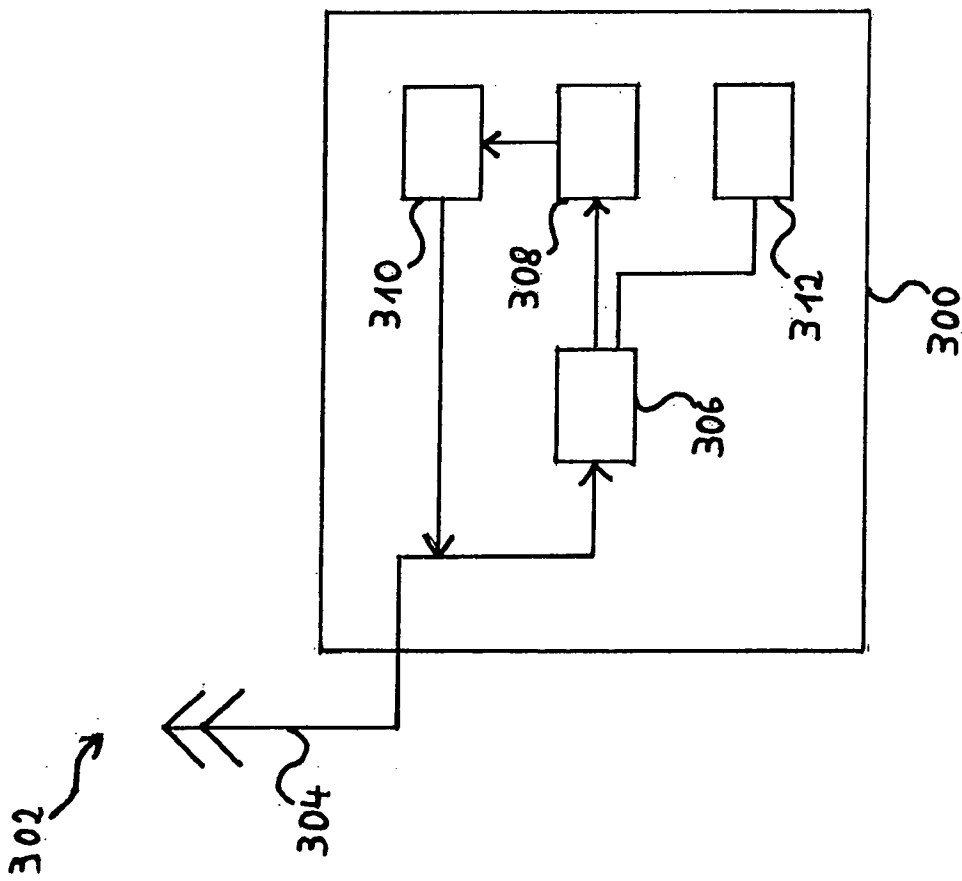


Fig.3

4/7

400

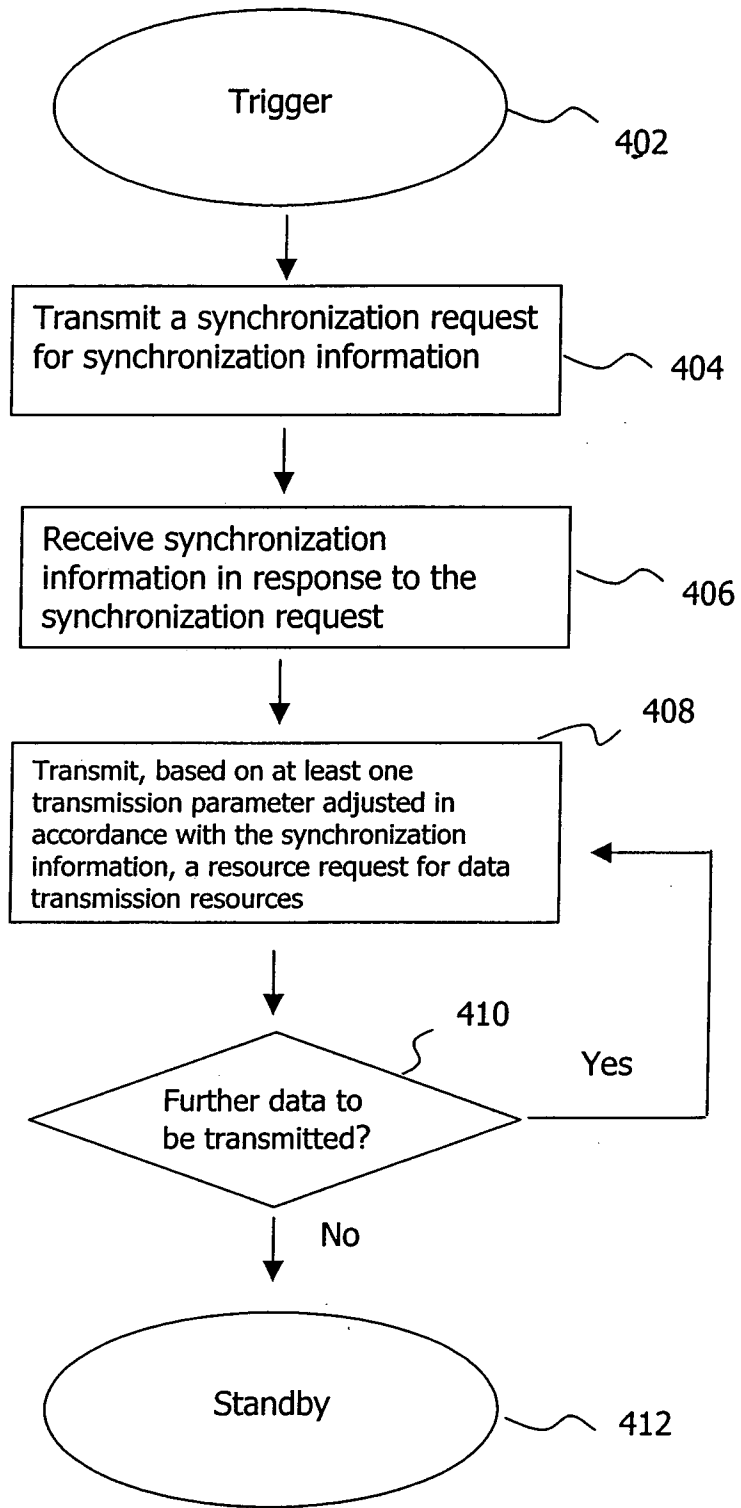


Fig. 4

500

5/7

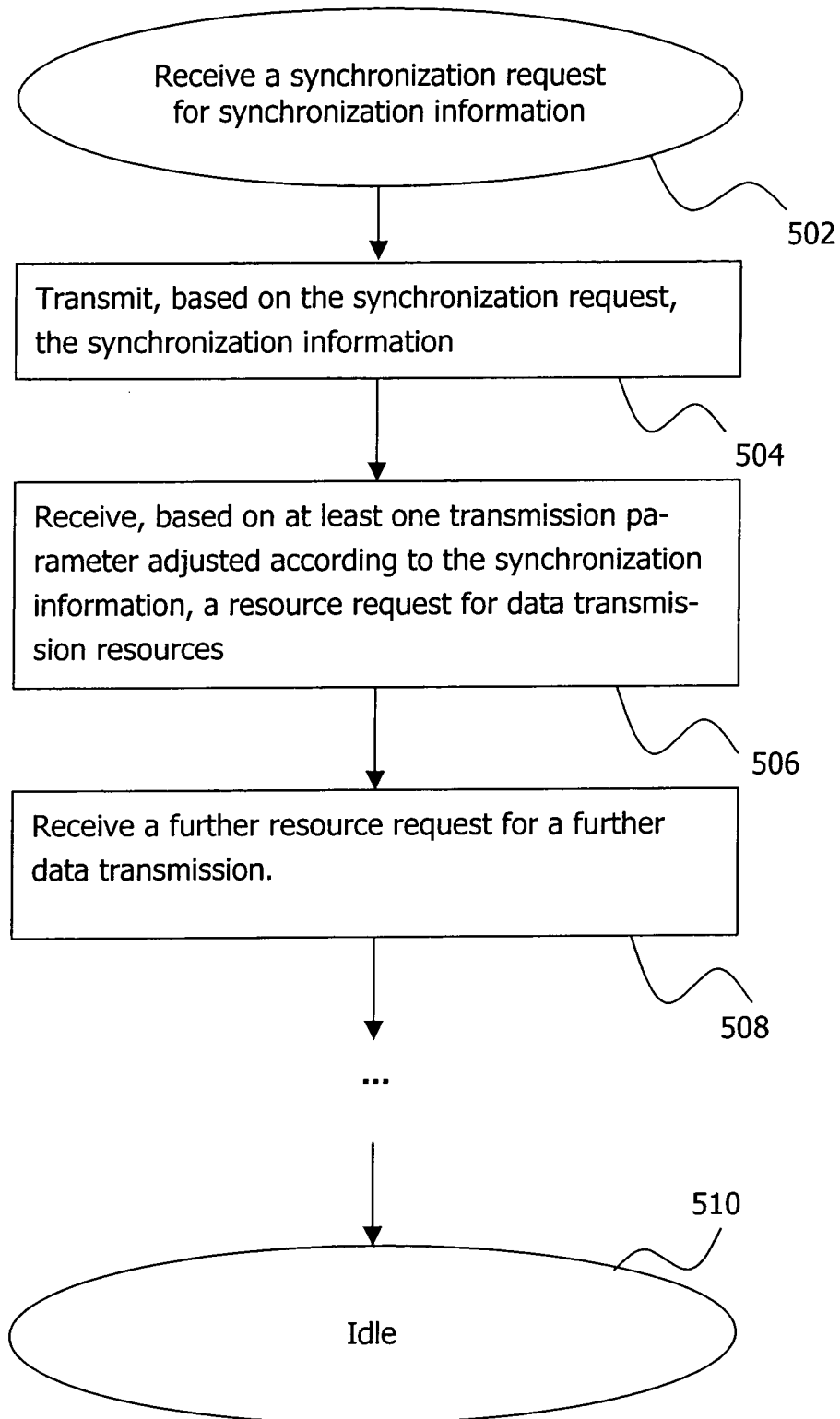


Fig. 5

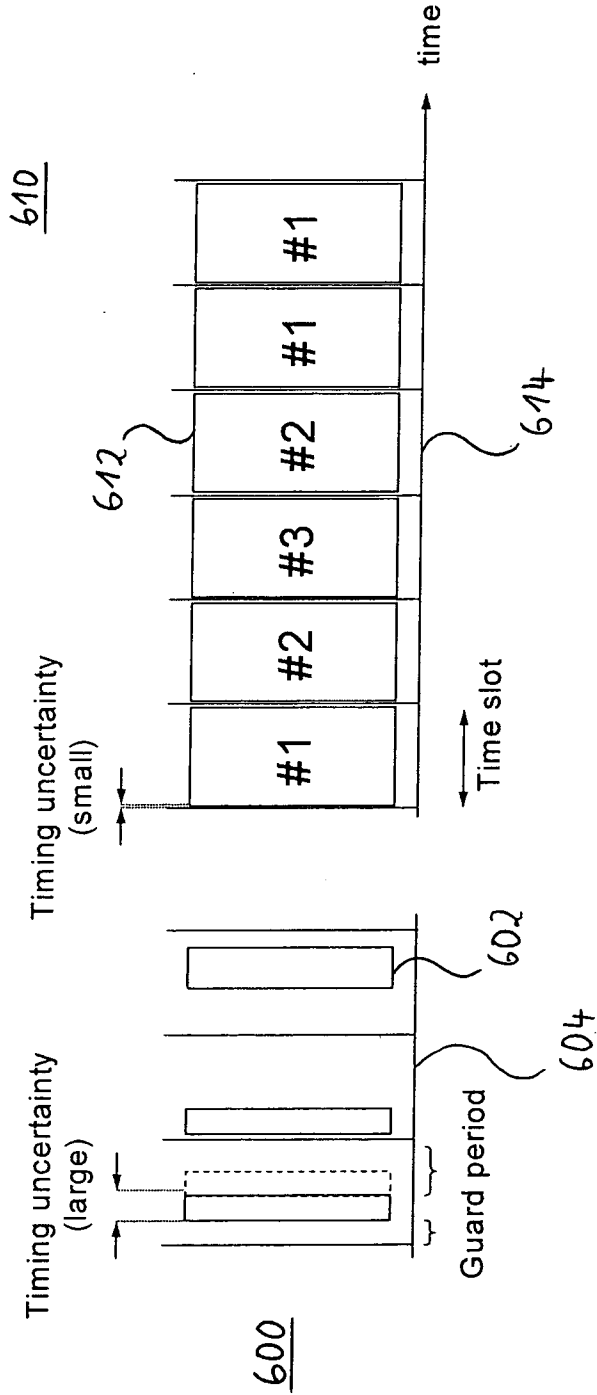


Fig. 6B

Fig. 6A

700

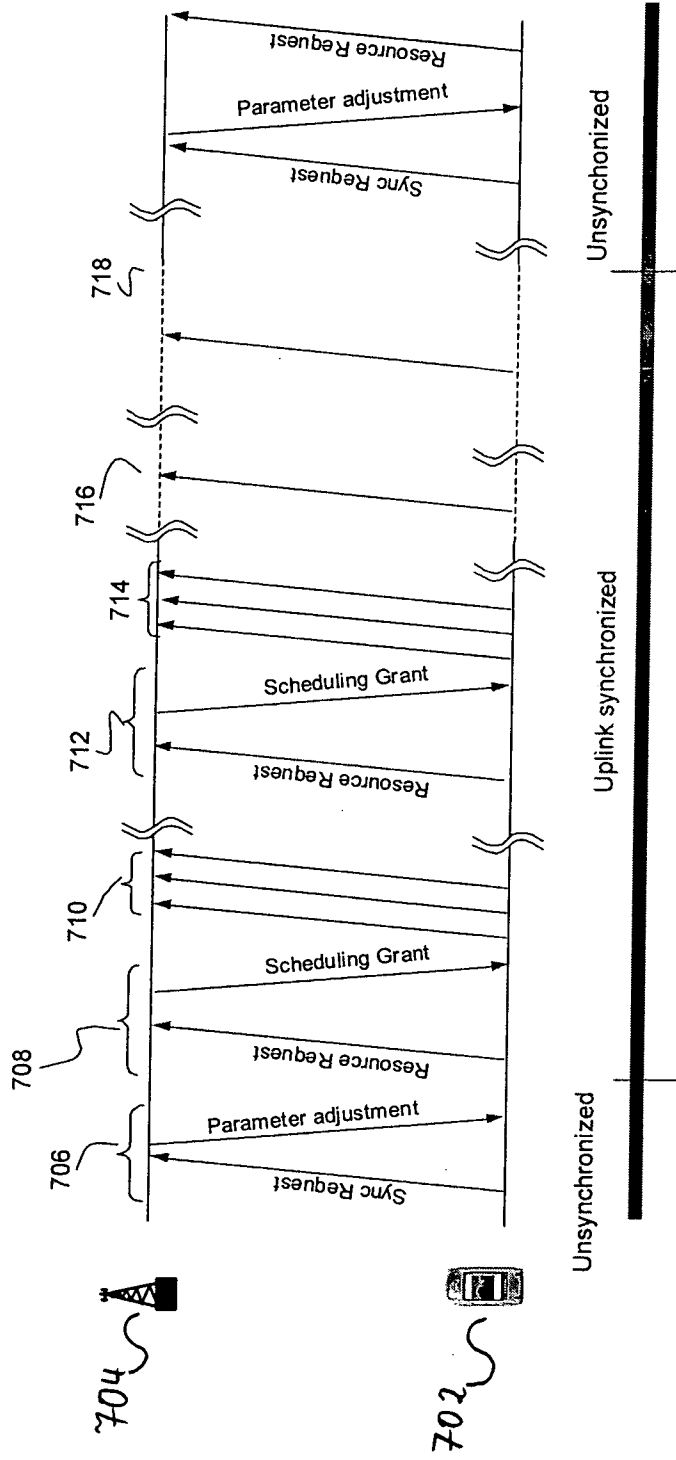


Fig. 7

INTERNATIONAL SEARCH REPORT

International application No
PCT/EP2006/010163A. CLASSIFICATION OF SUBJECT MATTER
INV. H04B7/26 H04J3/06

According to International Patent Classification (IPC) or to both national classification and IPC

B. FIELDS SEARCHED

Minimum documentation searched (classification system followed by classification symbols)
H04B H04J

Documentation searched other than minimum documentation to the extent that such documents are included in the fields searched

Electronic data base consulted during the international search (name of data base and, where practical, search terms used)

EPO-Internal

C. DOCUMENTS CONSIDERED TO BE RELEVANT

Category*	Citation of document, with indication, where appropriate, of the relevant passages	Relevant to claim No.
X	WO 01/33753 A (SIEMENS INF & COMM NETWORKS [IT]; BENEDITTIS ROSSELLA DE [IT]) 10 May 2001 (2001-05-10)	1-3, 10-14, 17-20
Y	page 3, line 15 - line 18 page 5, line 8 - line 11	8,9
Y	WO 01/67620 A2 (ERICSSON TELEFON AB L M [SE]) 13 September 2001 (2001-09-13) page 8, line 2 - line 5	8,9
A	US 5 509 016 A1 (MUELLER WALTER [SE]) 16 April 1996 (1996-04-16) column 1, line 25 - line 31 column 3, line 6 - line 10 column 3, line 18 - line 21 abstract	

 Further documents are listed in the continuation of Box C. See patent family annex.

* Special categories of cited documents:

A document defining the general state of the art which is not considered to be of particular relevance

E earlier document but published on or after the international filing date

L document which may throw doubts on priority claim(s) or which is cited to establish the publication date of another citation or other special reason (as specified)

O document referring to an oral disclosure, use, exhibition or other means

P document published prior to the international filing date but later than the priority date claimed

T later document published after the international filing date or priority date and not in conflict with the application but cited to understand the principle or theory underlying the invention

X document of particular relevance; the claimed invention cannot be considered novel or cannot be considered to involve an inventive step when the document is taken alone

Y document of particular relevance; the claimed invention cannot be considered to involve an inventive step when the document is combined with one or more other such documents, such combination being obvious to a person skilled in the art.

G document member of the same patent family

Date of the actual completion of the international search

7 February 2007

Date of mailing of the international search report

20/02/2007

Name and mailing address of the ISA/

European Patent Office, P.B. 5818 Patentlaan 2
NL - 2280 HV Rijswijk
Tel. (+31-70) 340-2040, Tx. 31 651 epo nl,
Fax: (+31-70) 340-3016

Authorized officer

Draper, Alan

INTERNATIONAL SEARCH REPORT

Information on patent family members

International application No PCT/EP2006/010163

Patent document cited in search report	Publication date	Publication date	Patent family member(s)	Publication date
WO 0133753	A	10-05-2001	CA 2324039 A1	03-05-2001
			CN 1421076 A	28-05-2003
			EP 1226671 A1	31-07-2002
			IT MI992285 A1	03-05-2001
			JP 2003527789 T	16-09-2003
WO 0167620	A2	13-09-2001	AR 029235 A1	18-06-2003
			AU 3788601 A	17-09-2001
			TW 507458 B	21-10-2002
US 5509016	A1		NONE	