

(19) World Intellectual Property Organization  
International Bureau



(43) International Publication Date  
1 February 2007 (01.02.2007)

PCT

(10) International Publication Number  
**WO 2007/014013 A3**

(51) International Patent Classification:  
E02D 5/74 (2006.01)

(21) International Application Number:

PCT/US2006/028328

(22) International Filing Date: 21 July 2006 (21.07.2006)

(25) Filing Language: English

(26) Publication Language: English

(30) Priority Data:

60/701,666 22 July 2005 (22.07.2005) US

(71) Applicant and

(72) Inventor: STROYER, Ben [US/US]; 80 Bluff Drive, East Rochester, NY 14445 (US).

(74) Agent: HALL, William, M.; HISCOCK & BARCLAY, LLP, 2000 HSBC Plaza, Rochester, NY 14604-2404 (US).

(81) Designated States (unless otherwise indicated, for every kind of national protection available): AE, AG, AL, AM, AT, AU, AZ, BA, BB, BG, BR, BW, BY, BZ, CA, CH, CN, CO, CR, CU, CZ, DE, DK, DM, DZ, EC, EE, EG, ES, FI, GB, GD, GE, GH, GM, HN, HR, HU, ID, IL, IN, IS, JP,

KE, KG, KM, KN, KP, KR, KZ, LA, LC, LK, LR, LS, LT, LU, LV, LY, MA, MD, MG, MK, MN, MW, MX, MZ, NA, NG, NI, NO, NZ, OM, PG, PH, PL, PT, RO, RS, RU, SC, SD, SE, SG, SK, SL, SM, SY, TJ, TM, TN, TR, TT, TZ, UA, UG, US, UZ, VC, VN, ZA, ZM, ZW.

(84) Designated States (unless otherwise indicated, for every kind of regional protection available): ARIPO (BW, GH, GM, KE, LS, MW, MZ, NA, SD, SL, SZ, TZ, UG, ZM, ZW), Eurasian (AM, AZ, BY, KG, KZ, MD, RU, TJ, TM), European (AT, BE, BG, CH, CY, CZ, DE, DK, EE, ES, FI, FR, GB, GR, HU, IE, IS, IT, LT, LU, LV, MC, NL, PL, PT, RO, SE, SI, SK, TR), OAPI (BF, BJ, CF, CG, CI, CM, GA, GN, GQ, GW, ML, MR, NE, SN, TD, TG).

Published:

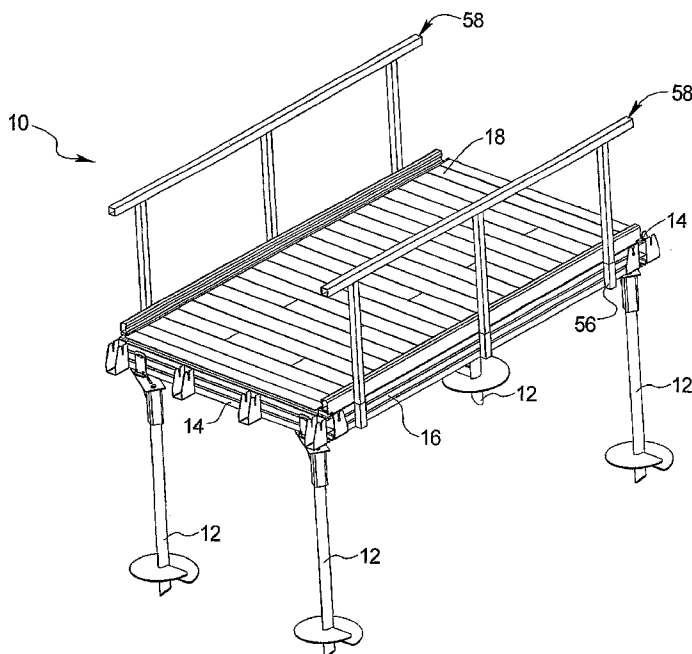
- with international search report
- before the expiration of the time limit for amending the claims and to be republished in the event of receipt of amendments

(88) Date of publication of the international search report:

8 November 2007

For two-letter codes and other abbreviations, refer to the "Guidance Notes on Codes and Abbreviations" appearing at the beginning of each regular issue of the PCT Gazette.

(54) Title: BOARDWALK, DECK, AND PLATFORM SYSTEM



(57) Abstract: The invention provides a system, method, and components for assembling and disassembling boardwalks, decks, and platforms. The invention has a number of extruded and interlocking components. It is installed by driving piles, preferably helical piles, into a ground surface. The invention provides a comprehensive set of assembly members, including and not limited to brackets that attach to the piles, headers, joists, cross braces, decking, and decking fasteners for holding the decking in place. In particular, a multiple-way adjustable bracket connects the piles to the rest of the structure.



WO 2007/014013 A3

INTERNATIONAL SEARCH REPORT

PCT/US 06/28328

A. CLASSIFICATION OF SUBJECT MATTER

IPC(8): E02D 5/74 (2007.01)

USPC: 52/157

According to International Patent Classification (IPC) or to both national classification and IPC

B. FIELDS SEARCHED

Minimum documentation searched (classification system followed by classification symbols)

US: 52/157

Documentation searched other than minimum documentation to the extent that such documents are included in the fields searched

US: 52/all subclasses

Electronic data base consulted during the international search (name of data base and, where practicable, search terms used)

Google Patents Internet, US Pre-grant Publications, US Patents Full-Text, US OCR Full-Text, EPO Abstracts, and JPO Databases for modular, deck, platform, bridges, pedestrian, safety, traffic, railing, wheel chair, chase-way, boardwalk, helical, and piles.

C. DOCUMENTS CONSIDERED TO BE RELEVANT

Category*	Citation of document, with indication, where appropriate, of the relevant passages	Relevant to claim No.
Y	US 2004/0050010 A1 (FORTIER) 18 March 2004 (18.03.2004); para [0015, 0017, 0020, 0021] and figs 1A and 7.	1 - 26 and 33 - 37
Y	US 6,814,525 B1 (WHITSETT) 09 November 2004 (09.11.2004); col 1-4 and figs 1c and 13a.	1 - 26 and 33 - 37
Y	US 2001/0025465 A1 (OSFOLK) 04 October 2001 (04.10.2001); para [0012, 0015, 0019] and fig 1.	1 - 26
Y	US 6,170,212 B1 (SUCHYNA et al.) 09 January 2001 (09.01.2001); col 5 - 6, and fig 9.	15 - 17
Y	US 2004/0216250 A1 (DUMLAO et al.) 04 November 2004 (04.11.2004); para [0021, 0022].	16 and 17
Y	US 6,324,796 B1 (HEATH) 04 December 2001 (04.12.2001); col 1-2.	6 - 9
Y	US 5,901,396 A (AHLISKOG et al.) 11 May 1999 (11.05.1999); col 3 and 8 and figs 1 and 3.	14, 18 and 19
Y	US 2004/0050009 A1 (FUHR) 18 March 2004 (18.03.2004); para [0010].	20 - 26

Further documents are listed in the continuation of Box C.

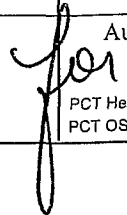
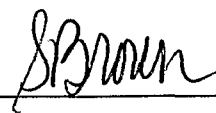
* Special categories of cited documents:	"T" later document published after the international filing date or priority date and not in conflict with the application but cited to understand the principle or theory underlying the invention
"A" document defining the general state of the art which is not considered to be of particular relevance	"X" document of particular relevance; the claimed invention cannot be considered novel or cannot be considered to involve an inventive step when the document is taken alone
"E" earlier application or patent but published on or after the international filing date	"Y" document of particular relevance; the claimed invention cannot be considered to involve an inventive step when the document is combined with one or more other such documents, such combination being obvious to a person skilled in the art
"L" document which may throw doubts on priority claim(s) or which is cited to establish the publication date of another citation or other special reason (as specified)	"&" document member of the same patent family
"O" document referring to an oral disclosure, use, exhibition or other means	
"P" document published prior to the international filing date but later than the priority date claimed	

Date of the actual completion of the international search  
21 June 2007 (21.06.2007)

Date of mailing of the international search report  
**20 SEP 2007**

Name and mailing address of the ISA/US  
Mail Stop PCT, Attn: ISA/US, Commissioner for Patents  
P.O. Box 1450, Alexandria, Virginia 22313-1450  
Facsimile No. 571-273-3201

Authorized officer:  
Lee W. Young  
PCT Helpdesk: 571-272-4300  
PCT OSP: 571-272-7774

**Box No. II Observations where certain claims were found unsearchable (Continuation of item 2 of first sheet)**

This international search report has not been established in respect of certain claims under Article 17(2)(a) for the following reasons:

1.  Claims Nos.:  
because they relate to subject matter not required to be searched by this Authority, namely:
  
2.  Claims Nos.:  
because they relate to parts of the international application that do not comply with the prescribed requirements to such an extent that no meaningful international search can be carried out, specifically:
  
3.  Claims Nos.:  
because they are dependent claims and are not drafted in accordance with the second and third sentences of Rule 6.4(a).

**Box No. III Observations where unity of invention is lacking (Continuation of item 3 of first sheet)**

This International Searching Authority found multiple inventions in this international application, as follows:

- An international application should relate to only one invention or, if there is more than one invention, the inclusion of those inventions in one international application is only permitted if all inventions are so linked as to form a single general inventive concept (Rule 13.1). In the current application, there are multiple inventive concepts. Claims 1-26 and 33-37 (hereinafter Group 1) relate to an inventive concept of a modular deck system having helical piles. Claims 27-29 (hereinafter Group 2) relate to an inventive concept of an adjustable decking bracket. Claims 30-32 (hereinafter Group 3) relate to an end cap for decking planks. Claims 38-42 (hereinafter Group 4) relate to a header beam. Claims 43-45 (hereinafter Group 5) relate to a connector strip for joining separate members. These groups are not different configurations of the same concept, but they are different concepts. Moreover, these inventive concepts are separate, because there is not a technical relationship among the claimed inventions involving one or more of the same or corresponding special technical features, which would define a contribution, which each of these inventions, considered as a whole, makes over the prior art.

1.  As all required additional search fees were timely paid by the applicant, this international search report covers all searchable claims.
2.  As all searchable claims could be searched without effort justifying additional fees, this Authority did not invite payment of additional fees.
3.  As only some of the required additional search fees were timely paid by the applicant, this international search report covers only those claims for which fees were paid, specifically claims Nos.:  
1 - 26 and 33-37
4.  No required additional search fees were timely paid by the applicant. Consequently, this international search report is restricted to the invention first mentioned in the claims; it is covered by claims Nos.:

**Remark on Protest**

- The additional search fees were accompanied by the applicant's protest and, where applicable, the payment of a protest fee.
- The additional search fees were accompanied by the applicant's protest but the applicable protest fee was not paid within the time limit specified in the invitation.
- No protest accompanied the payment of additional search fees.