



US00D622591S

(12) **United States Design Patent**
Biesecker et al.

(10) **Patent No.:** **US D622,591 S**

(45) **Date of Patent:** **** Aug. 31, 2010**

(54) **BOTTLE CAP**

(75) Inventors: **Frederick N. Biesecker**, Boyertown, PA (US); **Lissa B. Longacre**, Boyertown, PA (US)

(73) Assignee: **Drug Plastics & Glass Company, Inc.**, Boyertown, PA (US)

(**) Term: **14 Years**

(21) Appl. No.: **29/344,257**

(22) Filed: **Sep. 25, 2009**

(51) **LOC (9) Cl.** **09-07**

(52) **U.S. Cl.** **D9/435**

(58) **Field of Classification Search** D9/529,
D9/521, 454, 452, 447, 445, 435, 530, 453,
D9/724, 448, 538, 438; 220/200, 806, 716,
220/258.2, 257.1; 215/200, 261, 260; 222/520,
222/521, 212

See application file for complete search history.

(56) **References Cited**

U.S. PATENT DOCUMENTS

D158,107 S * 4/1950 Lindholm D7/612
2,606,586 A * 8/1952 Hill 220/802
D230,138 S * 1/1974 Weller D9/425

D306,265 S * 2/1990 Leebeek D9/435
D377,733 S * 2/1997 Ahern et al. D7/392.1
D424,753 S * 5/2000 Grossnickle et al. D28/82
6,802,418 B2 * 10/2004 Atkinson et al. 206/278
D525,526 S * 7/2006 Abbott et al. D9/449
D584,612 S * 1/2009 Ianello D9/435
D597,840 S * 8/2009 Biesecker et al. D9/454

* cited by examiner

Primary Examiner—Susan Bennett Hattan

(74) *Attorney, Agent, or Firm*—Panitch Schwarze Belisario & Nadel LLP

(57) **CLAIM**

The ornamental design for bottle cap, as shown and described.

DESCRIPTION

FIG. 1 is a top perspective view of our bottle cap in accordance with our new design;

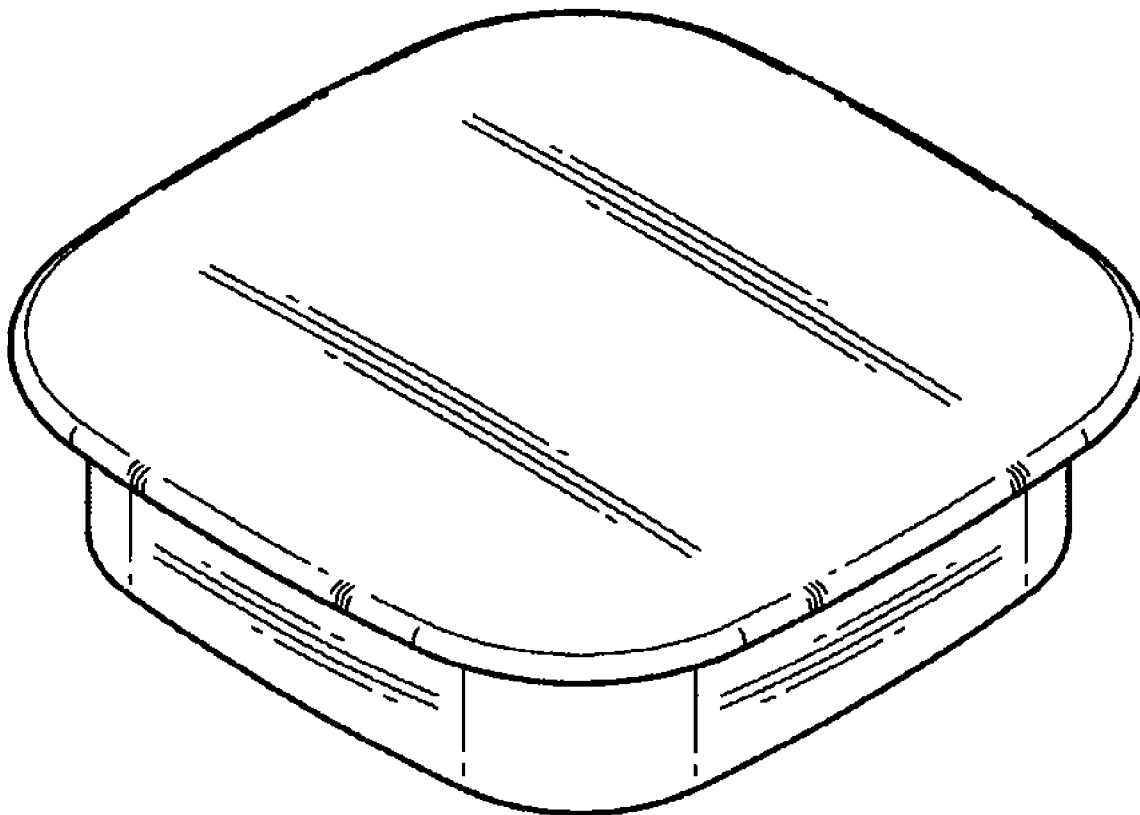
FIG. 2 is a top plan view thereof;

FIG. 3 is a bottom plan view thereof; and,

FIG. 4 is a front view thereof, with rear, left-side elevational and right side elevational views being identical.

The broken lines in the figures are for illustrative purposes only and form no part of the claimed design.

1 Claim, 1 Drawing Sheet



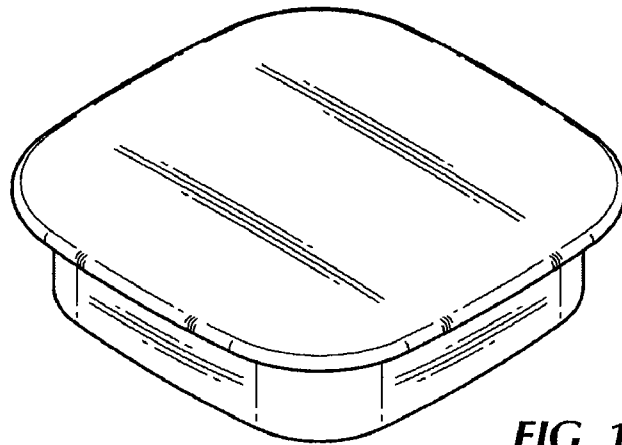


FIG. 1

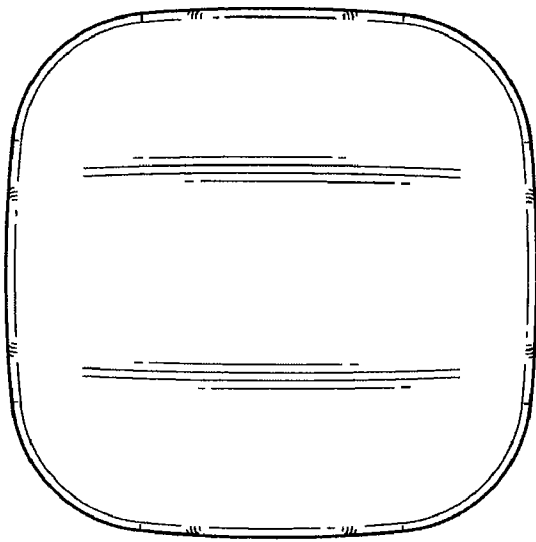


FIG. 2

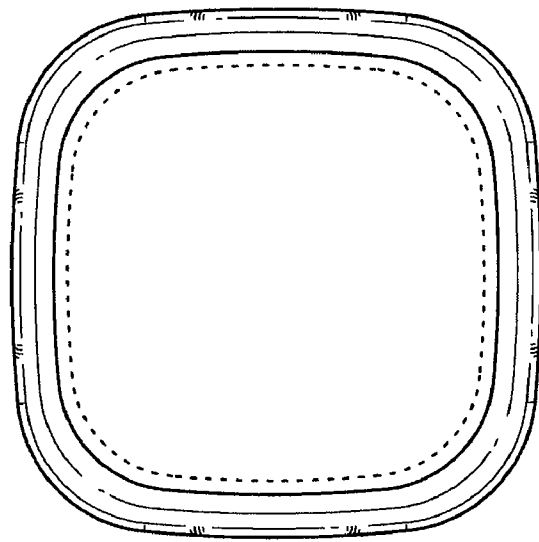


FIG. 3

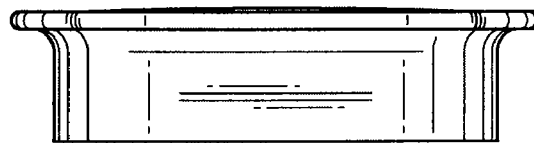


FIG. 4