



US00D919890S

(12) **United States Design Patent** (10) **Patent No.:** **US D919,890 S**
Chung et al. (45) **Date of Patent:** **** May 18, 2021**

(54) **COSMETIC CONTAINER**
(71) Applicant: **CTK COSMETICS CO., LTD.**, Seoul (KR)
(72) Inventors: **In Yong Chung**, Seoul (KR); **Sun Young Choi**, Seoul (KR); **Jae Hui Lee**, Suwon-si (KR); **In Young Um**, Seoul (KR)
(73) Assignee: **CTK COSMETICS CO., LTD.**, Seoul (KR)

D553,233 S * 10/2007 Hatch D23/366
D672,031 S * 12/2012 Hunt D24/107
D681,877 S * 5/2013 Curry D28/7
D692,784 S * 11/2013 Anderssen D10/70
D707,957 S * 7/2014 Oas D3/215
D729,655 S * 5/2015 Bauer D10/70
D730,225 S * 5/2015 Behar D10/103
D739,223 S * 9/2015 Paik D8/396
D760,098 S * 6/2016 Benoit D10/70
D807,215 S * 1/2018 Martin D10/104.1
D821,392 S * 6/2018 Kwon D14/344
D834,771 S * 11/2018 Theno D30/199
D888,410 S * 6/2020 Jacob D3/207
D889,753 S * 7/2020 Richter D28/10

(**) Term: **15 Years**

(21) Appl. No.: **29/729,960**

(22) Filed: **Mar. 31, 2020**

(51) **LOC (13) Cl.** **28-03**
(52) **U.S. Cl.**

USPC **D28/82**; D3/215

(58) **Field of Classification Search**

USPC D28/64.1-64.7, 73, 76-82, 99;
D9/503-505, 722, 737, 756, 759, 529;
D11/78.1, 215; D8/394; D10/70;
D3/207, 215

CPC A45D 33/006; A45D 33/003; A45D
33/04-33; A45D 33/025; A45D 33/02;
A45D 33/20; A45D 33/22; A45D 33/24;
A45D 33/26; A45D 33/18; A45D 40/22;
A45D 40/222; A45D 40/24; A45D
33/008; A45D 42/00; A45D 42/04

See application file for complete search history.

(56) **References Cited**

U.S. PATENT DOCUMENTS

D277,710 S * 2/1985 Engle D3/207
D390,493 S * 2/1998 Fletcher D11/78.1
D393,813 S * 4/1998 Herdt D11/78.1
D516,241 S * 2/2006 Gaines D27/161

OTHER PUBLICATIONS

CTK Beauty Clip Package Design, CTK Cosmetics, published on Mar. 18, 2020, retrieved on Jan. 20, 2021, retrieved from the Internet URL: <https://www.youtube.com/watch?v=XYmcGq6Lz8l>.*

* cited by examiner

Primary Examiner — Jennifer Rivard
Assistant Examiner — Alison M Ofstun
(74) *Attorney, Agent, or Firm* — Novick, Kim & Lee, PLLC; Jae Youn Kim; Jihun Kim

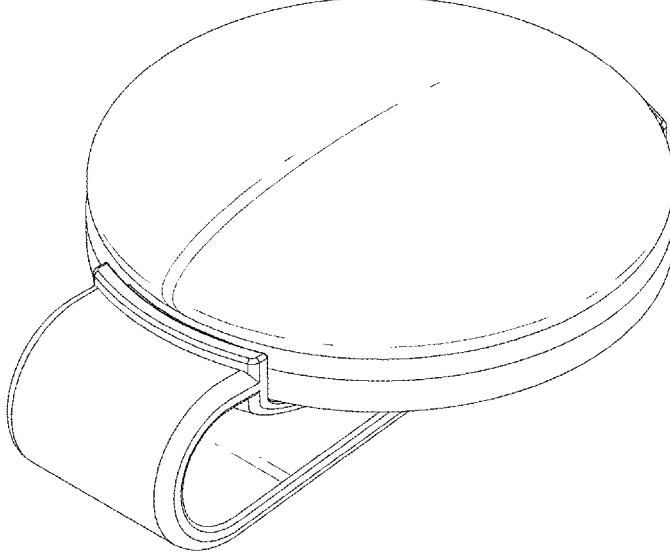
(57) **CLAIM**

The ornamental design for a cosmetic container, as shown and described.

DESCRIPTION

FIG. 1 is a perspective view of a cosmetic container showing our new design;
FIG. 2 is a front elevational view thereof;
FIG. 3 is a rear elevational view thereof;
FIG. 4 is a left side elevational view thereof;
FIG. 5 is a right side elevational view thereof;
FIG. 6 is a top plan view thereof; and,
FIG. 7 is a bottom plan view thereof.

1 Claim, 7 Drawing Sheets



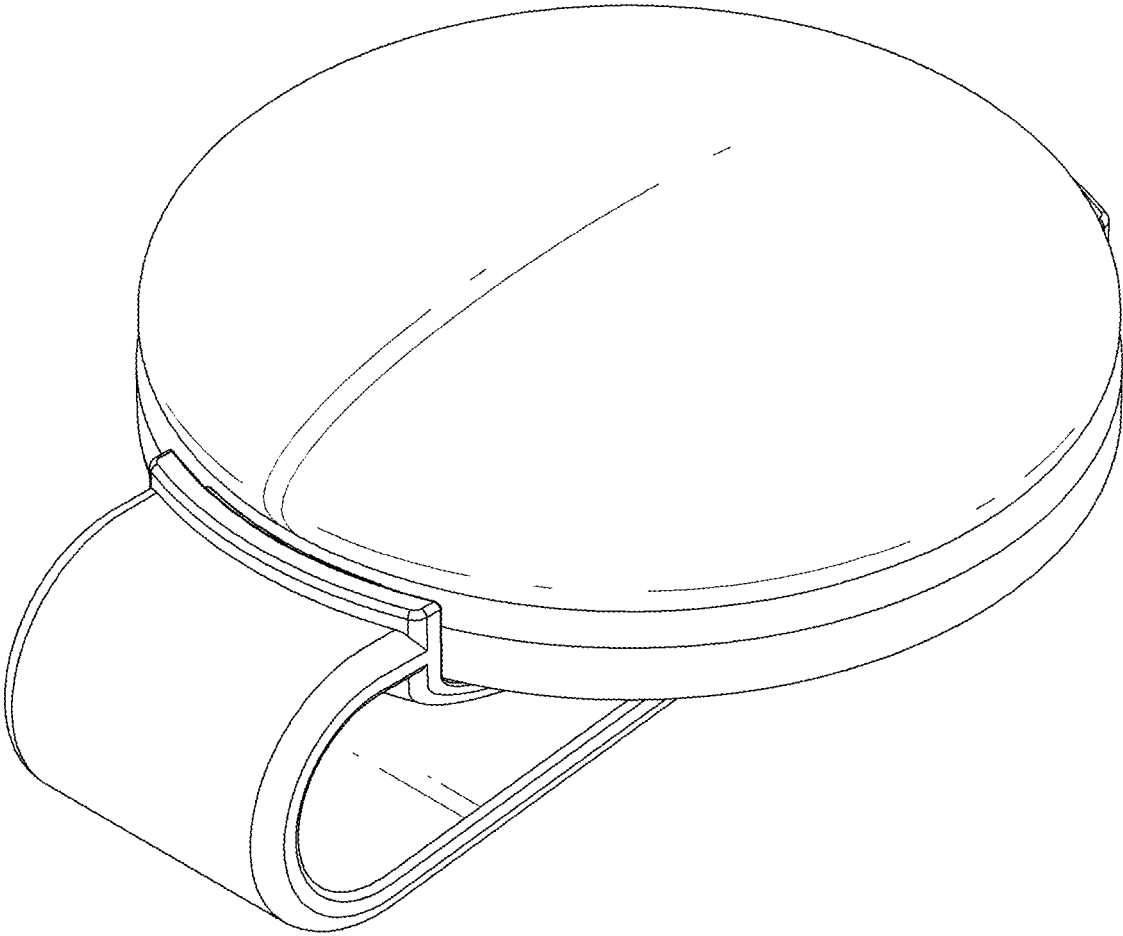


FIG. 1

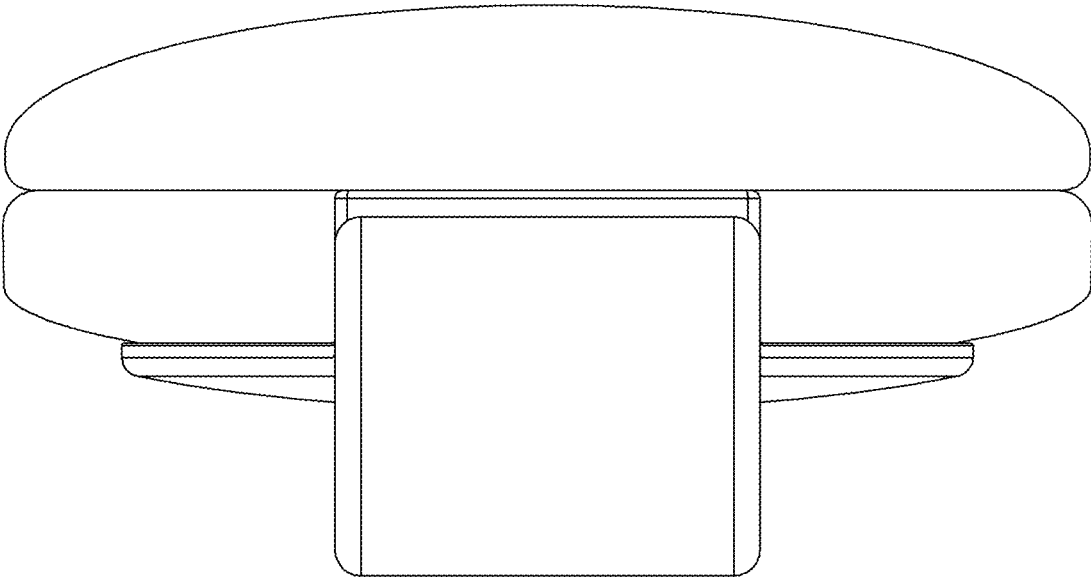


FIG. 2

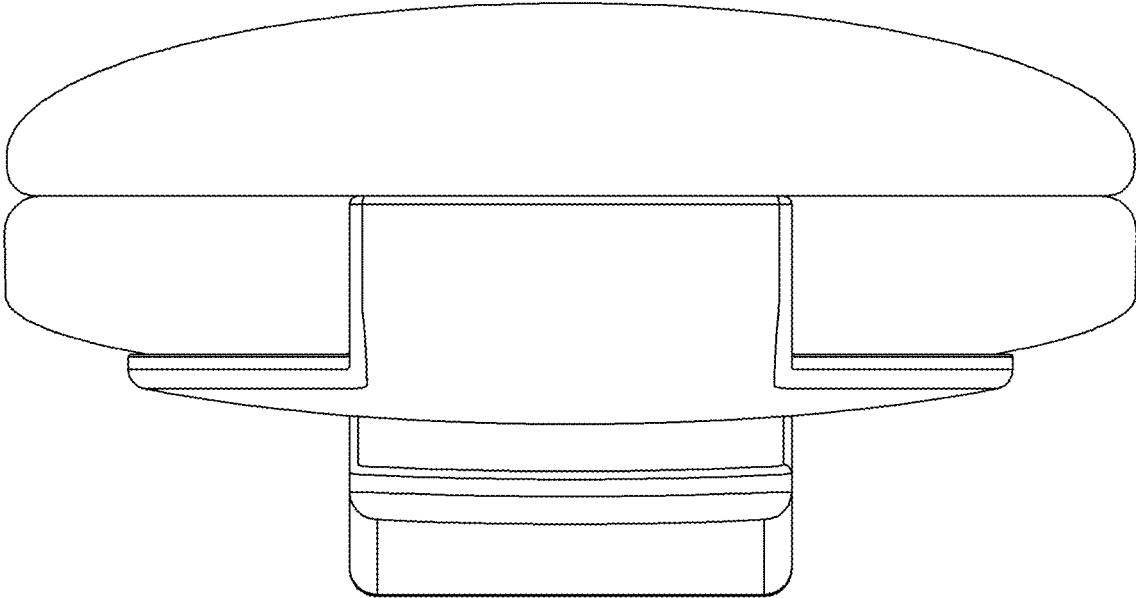


FIG. 3

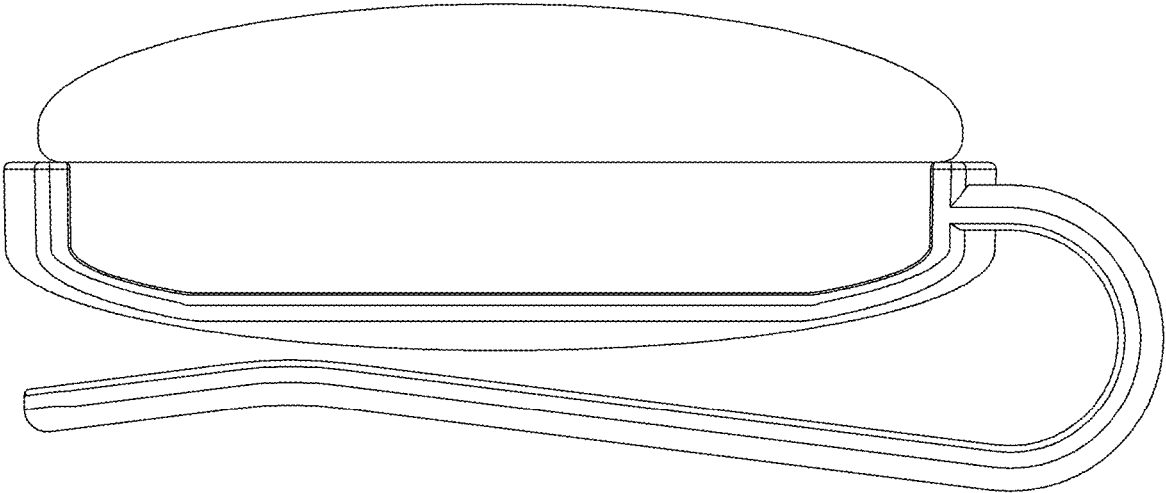


FIG. 4

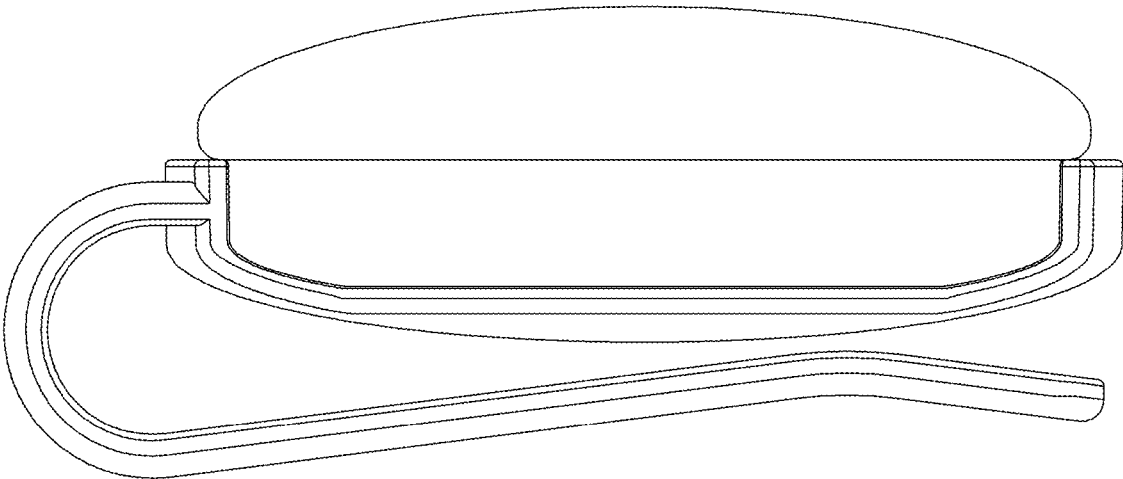


FIG. 5

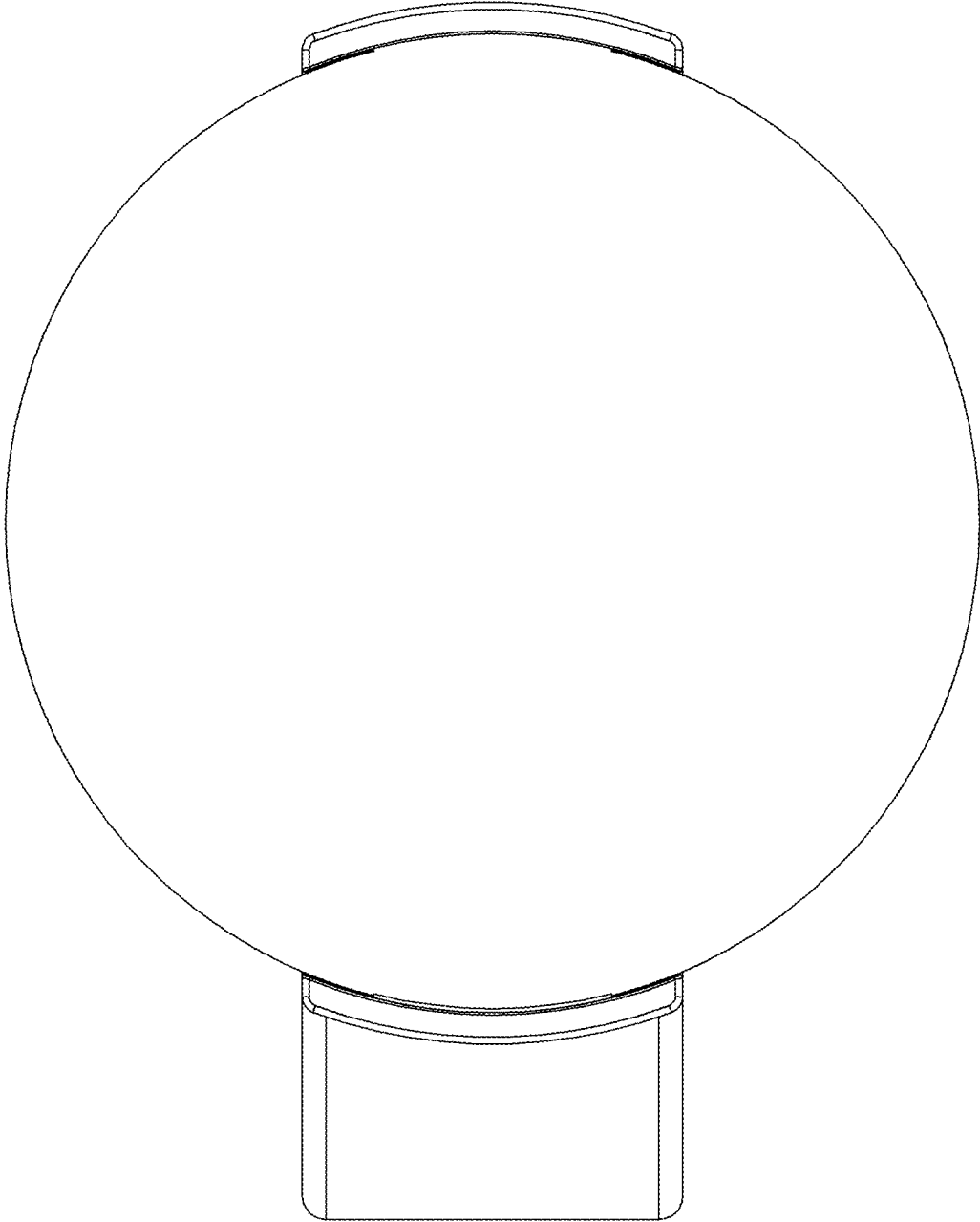


FIG. 6

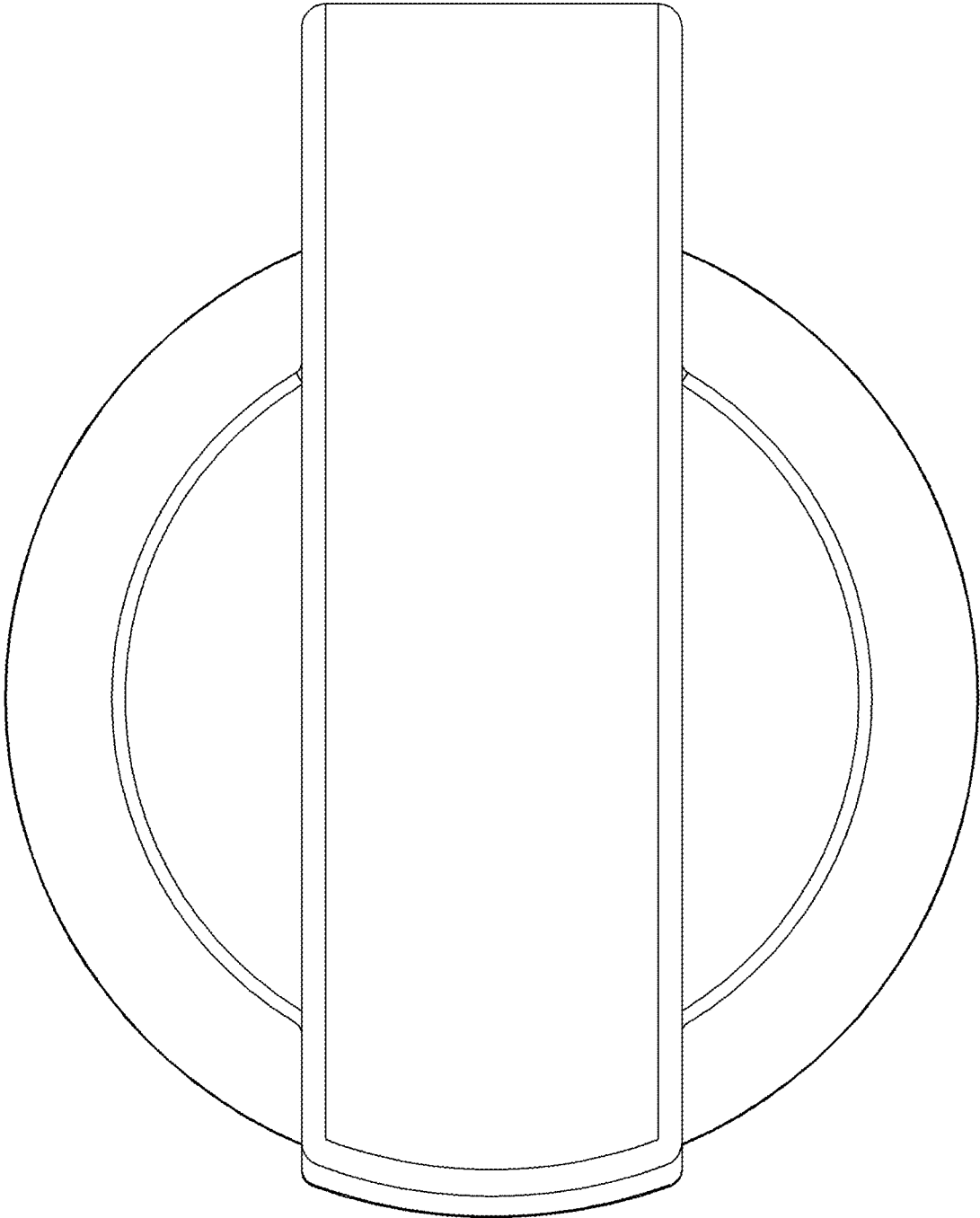


FIG. 7