



US00D424358S

United States Patent [19]
Wang

[11] **Patent Number: Des. 424,358**
[45] **Date of Patent: ** May 9, 2000**

[54] **AIR MATTRESS**
[75] Inventor: **Kenneth Wang**, Taipei, Taiwan
[73] Assignee: **Team World Wide Corp.**, Taipei, Taiwan
[**] Term: **14 Years**

Attorney, Agent, or Firm—Gray Cary Ware & Freidenrich LLP

[57] **CLAIM**

The ornamental design for an air mattress, as shown and described.

[21] Appl. No.: **29/111,427**
[22] Filed: **Sep. 27, 1999**
[51] **LOC (7) Cl.** **06-09**
[52] **U.S. Cl.** **D6/604; D6/596**
[58] **Field of Search** D6/595, 596, 601-604, D6/382, 392; 5/417, 419, 420, 630, 636, 644, 633, 652, 653, 654, 655.3, 656, 706, 710; D21/803

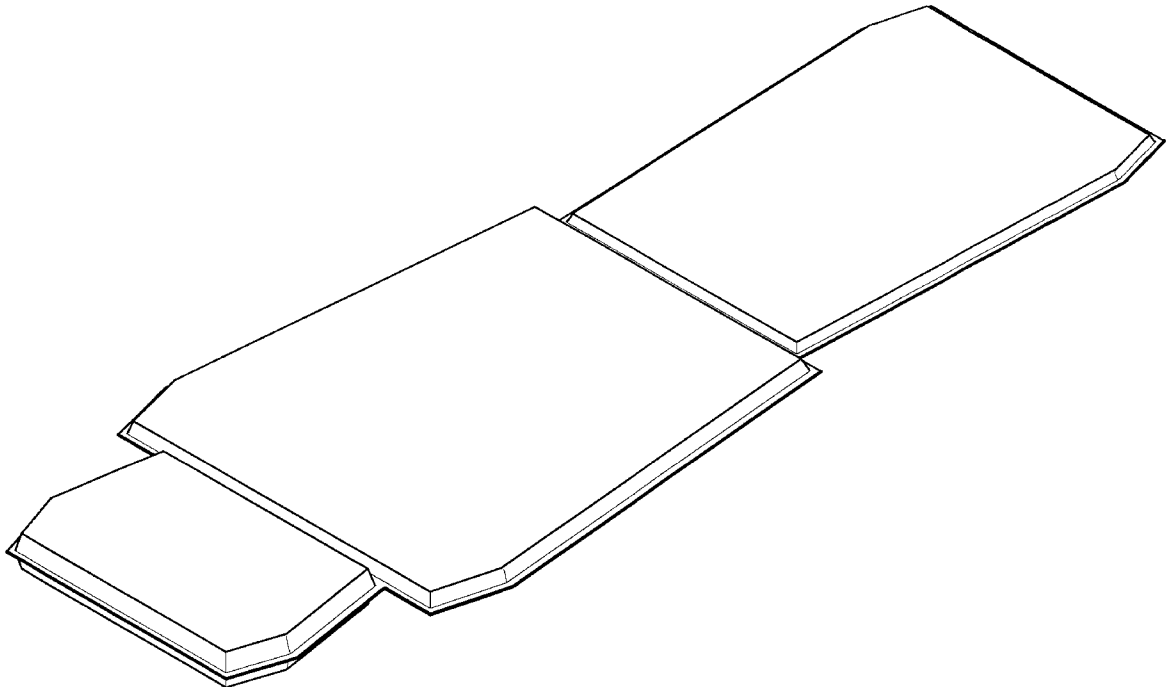
DESCRIPTION

FIG. 1 is a perspective view of air mattress showing my new design;
FIG. 2 is a front elevational view thereof;
FIG. 3 is a rear elevational view thereof;
FIG. 4 is a left side elevational view thereof;
FIG. 5 is a right side elevational view thereof;
FIG. 6 is a top plan view thereof;
FIG. 7 is a bottom plan view thereof;
FIG. 8 is perspective view of a second embodiment of that shown in FIG. 1;
FIG. 9 is a front elevational view thereof;
FIG. 10 is a rear elevational view thereof;
FIG. 11 is a left side elevational view thereof;
FIG. 12 is a right side elevational view thereof;
FIG. 13 is a top plan view thereof; and,
FIG. 14 is a bottom plan view thereof.

[56] **References Cited**
U.S. PATENT DOCUMENTS
5,133,097 7/1992 Pyles 5/623
5,303,435 4/1994 Haar et al. 5/709
5,974,608 11/1999 Haller et al. 5/709

Primary Examiner—Janice E. Seeger

1 Claim, 10 Drawing Sheets



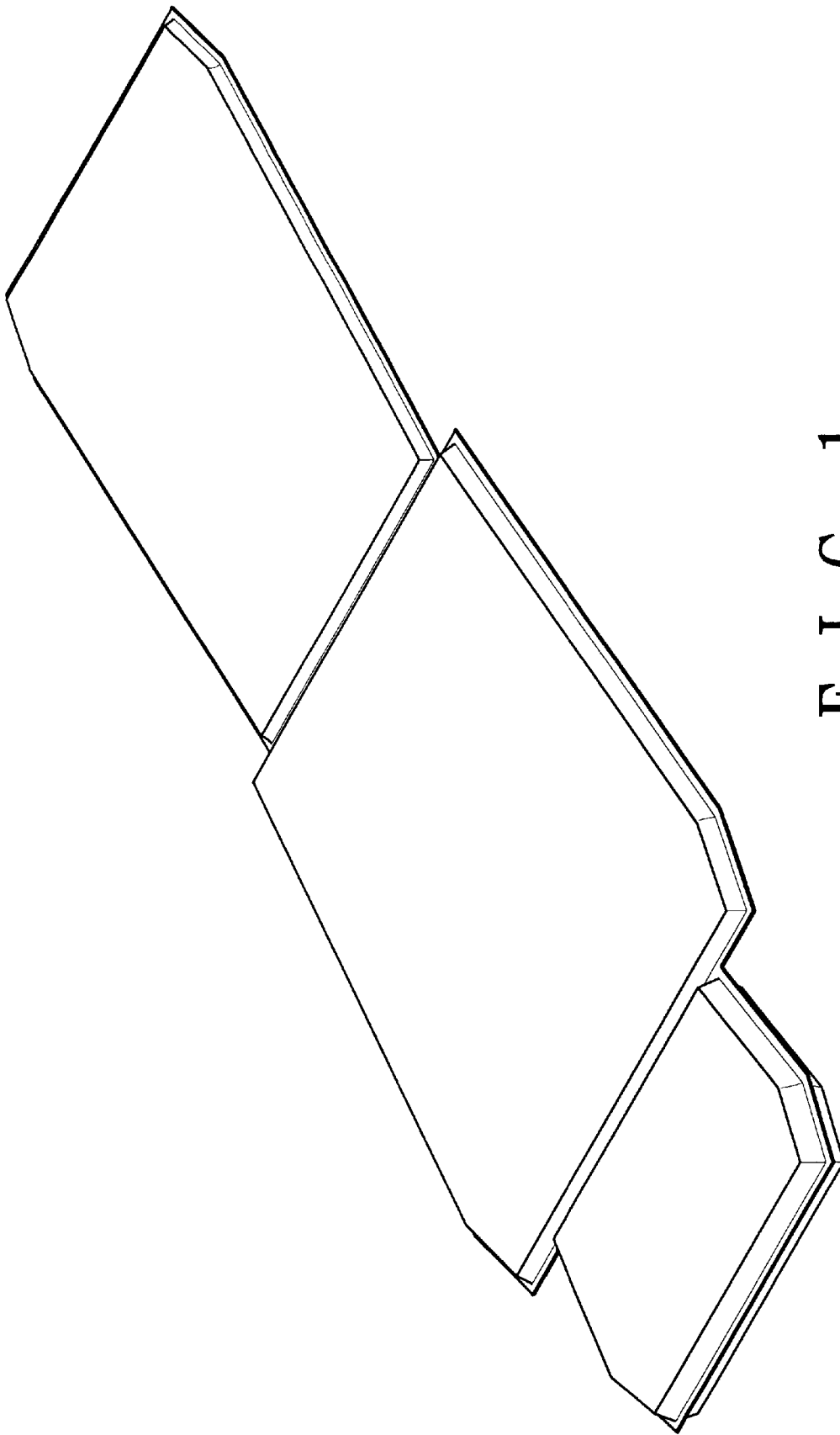


FIG. 1



FIG. 2



FIG. 3

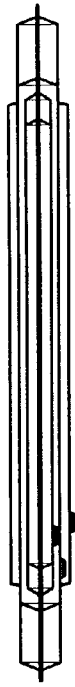


FIG. 5



FIG. 4

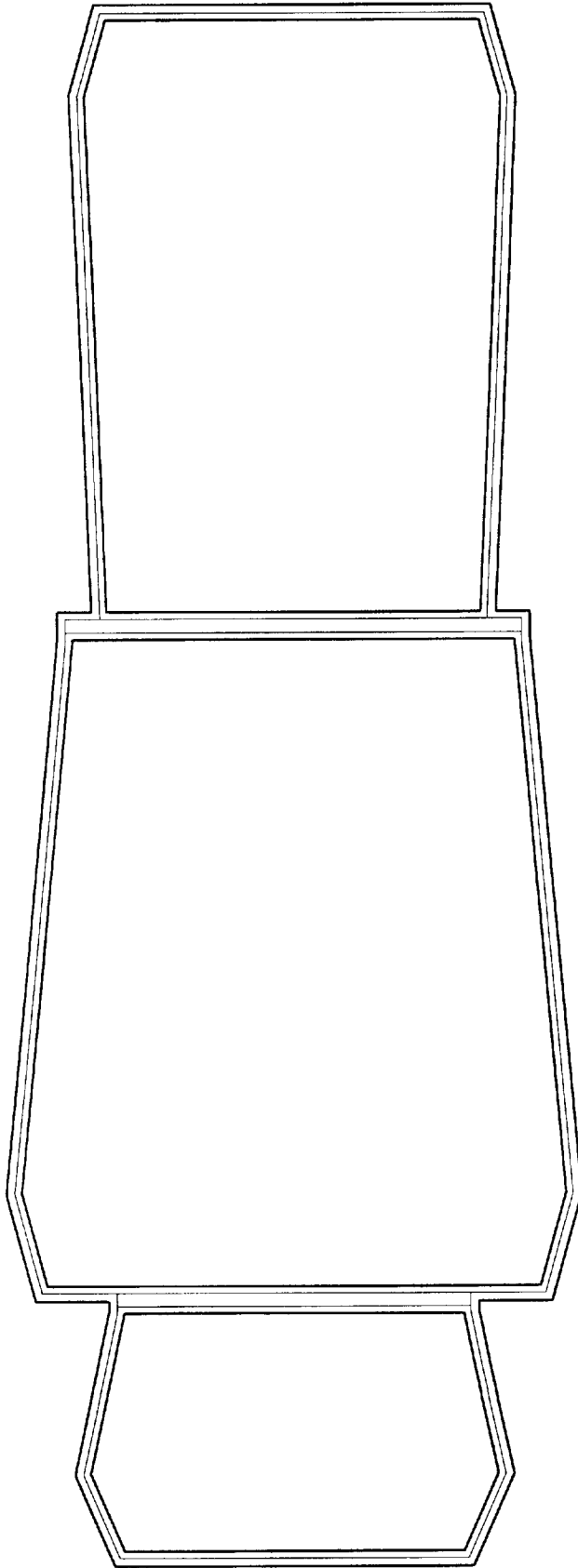


FIG. 6

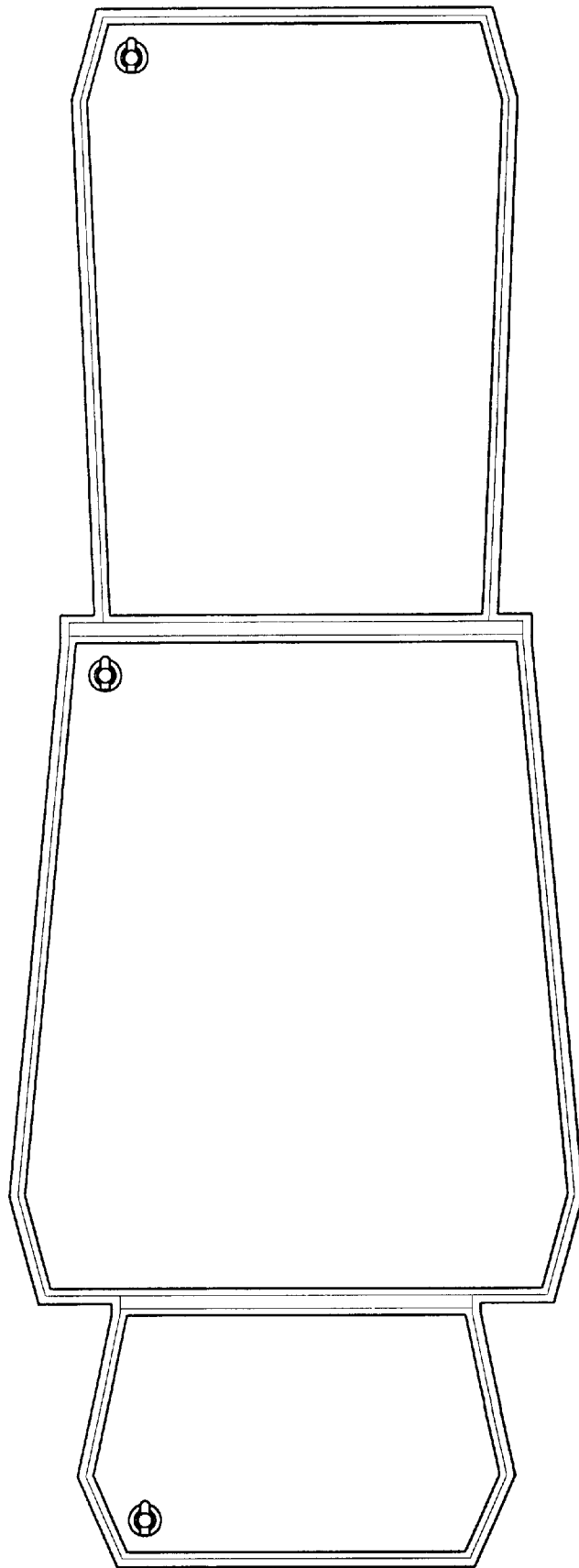


FIG. 7

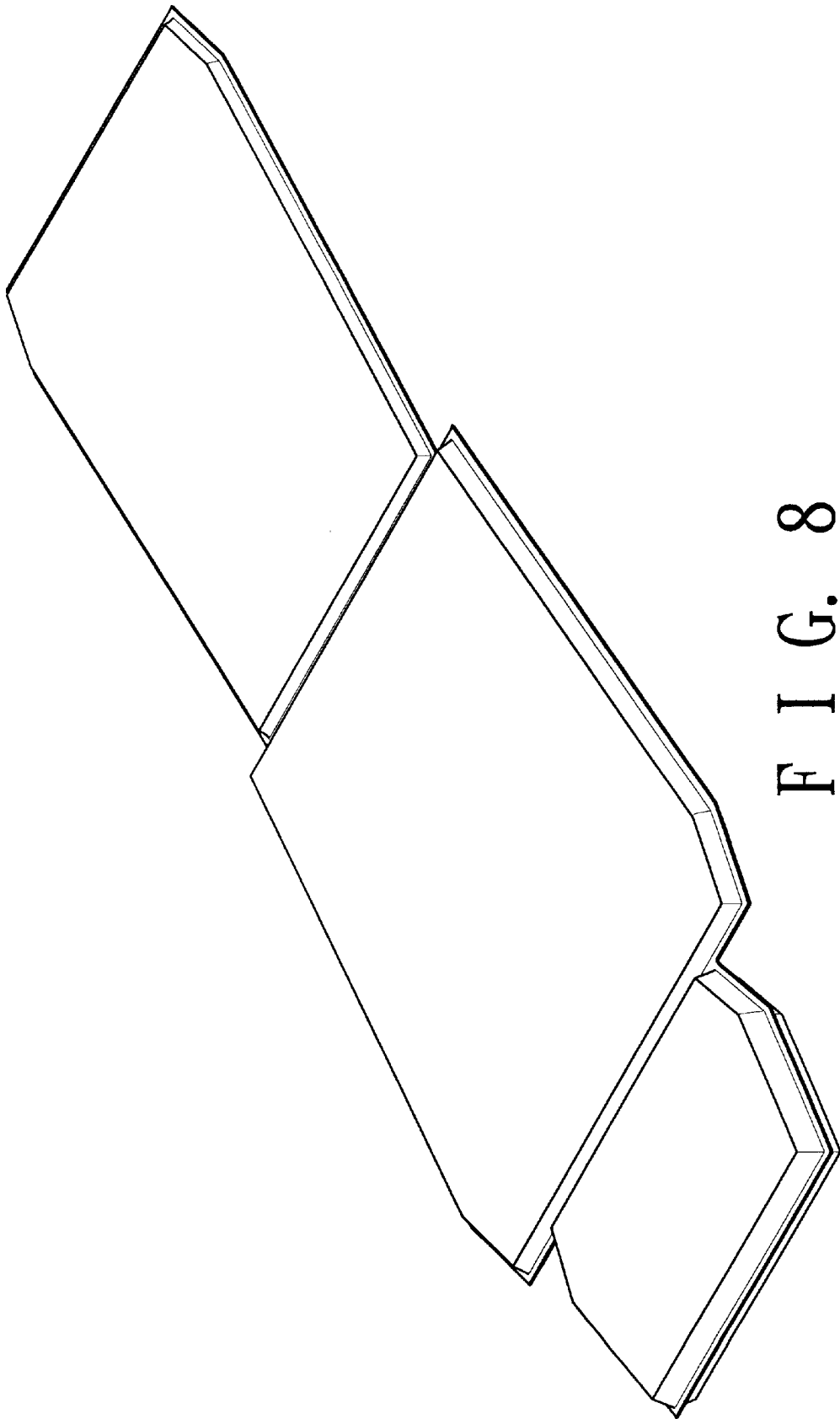


FIG. 8



FIG. 9



FIG. 10



FIG. 12



FIG. 11

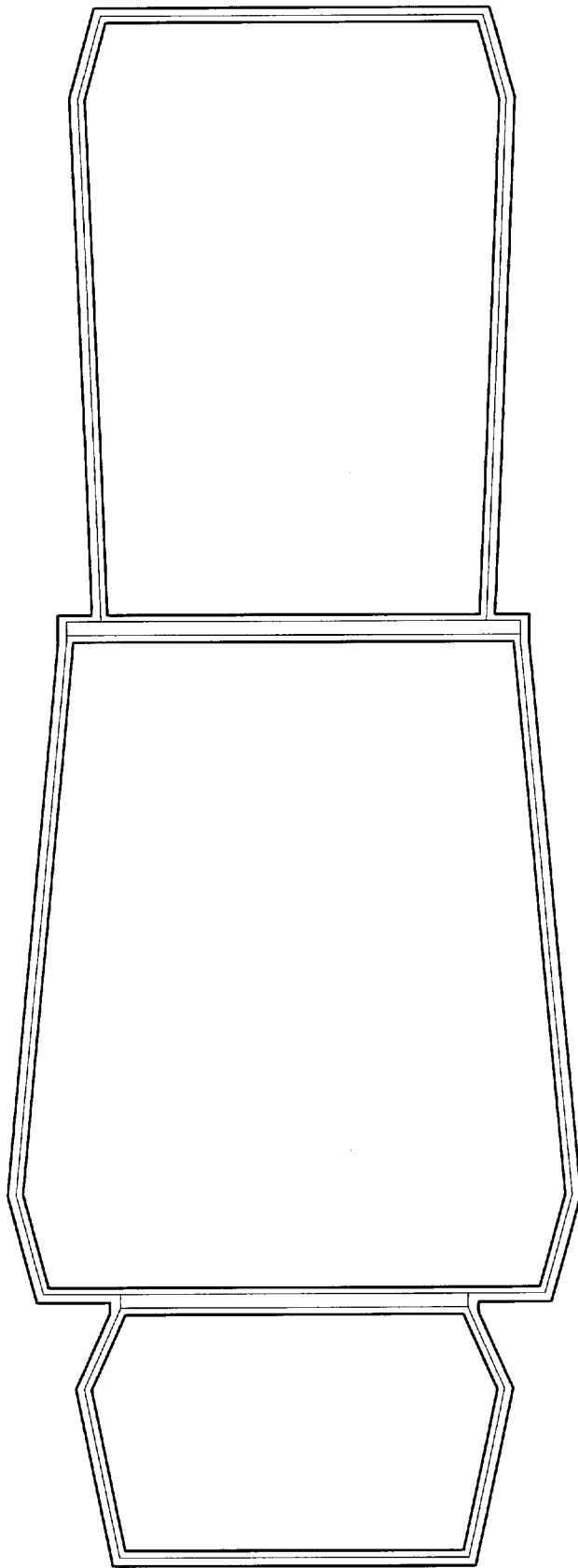


FIG. 13

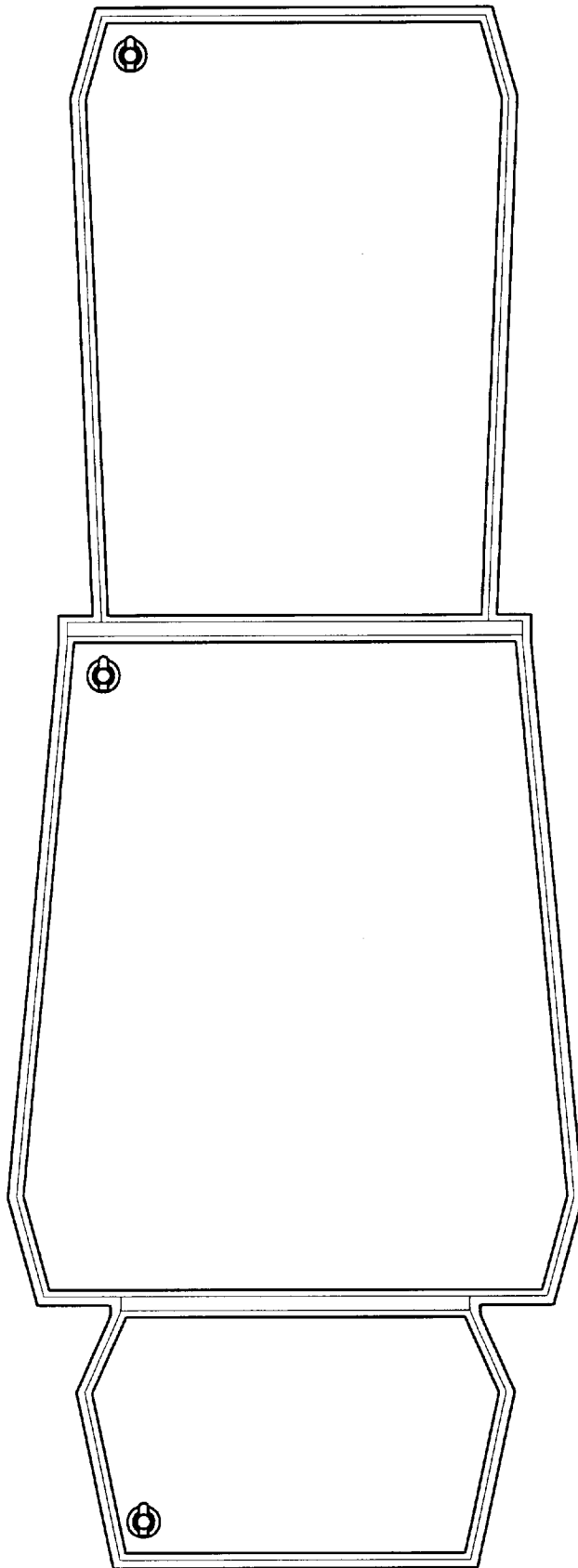


FIG. 14