



US00D722049S

(12) **United States Design Patent**
Moradian

(10) **Patent No.:** **US D722,049 S**

(45) **Date of Patent:** **** Feb. 3, 2015**

- (54) **ELECTRONIC DEVICE**
- (71) Applicant: **Payam Moradian**, Los Angeles, CA
(US)
- (72) Inventor: **Payam Moradian**, Los Angeles, CA
(US)
- (**) Term: **14 Years**
- (21) Appl. No.: **29/446,578**
- (22) Filed: **Feb. 26, 2013**
- (51) **LOC (10) Cl.** **14-02**
- (52) **U.S. Cl.**
USPC **D14/341**
- (58) **Field of Classification Search**
CPC ... H04M 1/00; H04M 11/066; H04M 1/2478;
H04M 1/72519; H04M 2201/38; H04M
2250/22; G06F 15/00
USPC D14/341-347, 137, 138 R, 138 AA,
D14/138 C, 138 G, 496, 203.1, 203.3, 203.4,
D14/203.7, 129, 130, 147, 218, 248, 389,
D14/388, 426, 420; D10/65, 104.1;
D18/6-7; D21/324, 329, 330;
455/556.1, 556.2, 566, 575.1, 90.3;
379/433.04, 433.01, 433.06, 916;
345/173, 901, 905; 361/679.26, 679.3,
361/679.55, 679.56
See application file for complete search history.

D636,373	S	*	4/2011	Miu	D14/170
D656,769	S	*	4/2012	Zealer	D6/632
D656,770	S	*	4/2012	Zealer	D6/632
8,248,791	B2	*	8/2012	Wang et al.	361/679.59
D671,940	S	*	12/2012	Kim	D14/374
D676,854	S	*	2/2013	Hsu et al.	D14/447
D684,630	S	*	6/2013	Pham	D19/91
D685,347	S	*	7/2013	Szymanski et al.	D14/214
D685,778	S	*	7/2013	Fahrendorff et al.	D14/250
D690,305	S	*	9/2013	Wen	D14/440
D695,287	S	*	12/2013	Chang et al.	D14/315
D695,735	S	*	12/2013	Kitchen et al.	D14/341
8,605,433	B2	*	12/2013	Chiang et al.	361/679.59
D704,200	S	*	5/2014	Rayner	D14/447
D707,683	S	*	6/2014	Nam-Su	D14/440
2003/0153355	A1		8/2003	Warren		
2006/0160567	A1		7/2006	Parivash		
2006/0236014	A1	*	10/2006	Yin et al.	710/303
2010/0309617	A1	*	12/2010	Wang et al.	361/679.01

OTHER PUBLICATIONS

<http://www.asus.com/Tablet_Mobile/PadFone/>.
 <http://reviews.cnet.com/tablets/asus-padfone-infinity/4505-3126_7-35619201.html>.
 Office Action for U.S. Appl. No. 13/776,722 Dated Oct. 3, 2014.

* cited by examiner

Primary Examiner — Barbara Fox

(57)

CLAIM

The ornamental design for an electronic device, as shown and described.

DESCRIPTION

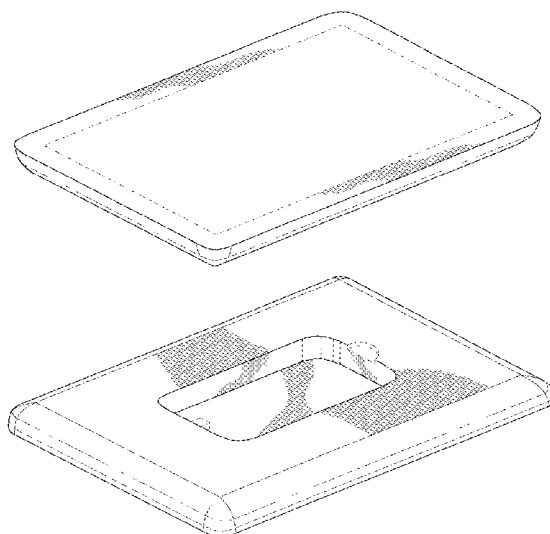
FIG. 1 is a front perspective view of an electronic device showing my new design.
 FIG. 2 is a back side view thereof.
 FIG. 3 is a top view thereof, the bottom view being a mirror image.
 FIG. 4 is a side view thereof.
 FIG. 5 is a front view thereof; and,
 FIG. 6 is a back view thereof.
 The broken lines shown in the drawings represent portions of the electronic device that form no part of the claimed design.

1 Claim, 4 Drawing Sheets

(56) **References Cited**

U.S. PATENT DOCUMENTS

D164,483	S	*	9/1951	Flannery	D19/91
D276,734	S	*	12/1984	Landstro/ m	D19/91
D438,849	S	*	3/2001	Adachi et al.	D14/126
D476,987	S	*	7/2003	Takiguchi et al.	D14/341
D478,895	S	*	8/2003	Oikawa	D14/218
D513,008	S	*	12/2005	Takizawa et al.	D14/447
7,299,580	B2	*	11/2007	Wang et al.	40/719
D590,404	S	*	4/2009	Kim et al.	D14/447



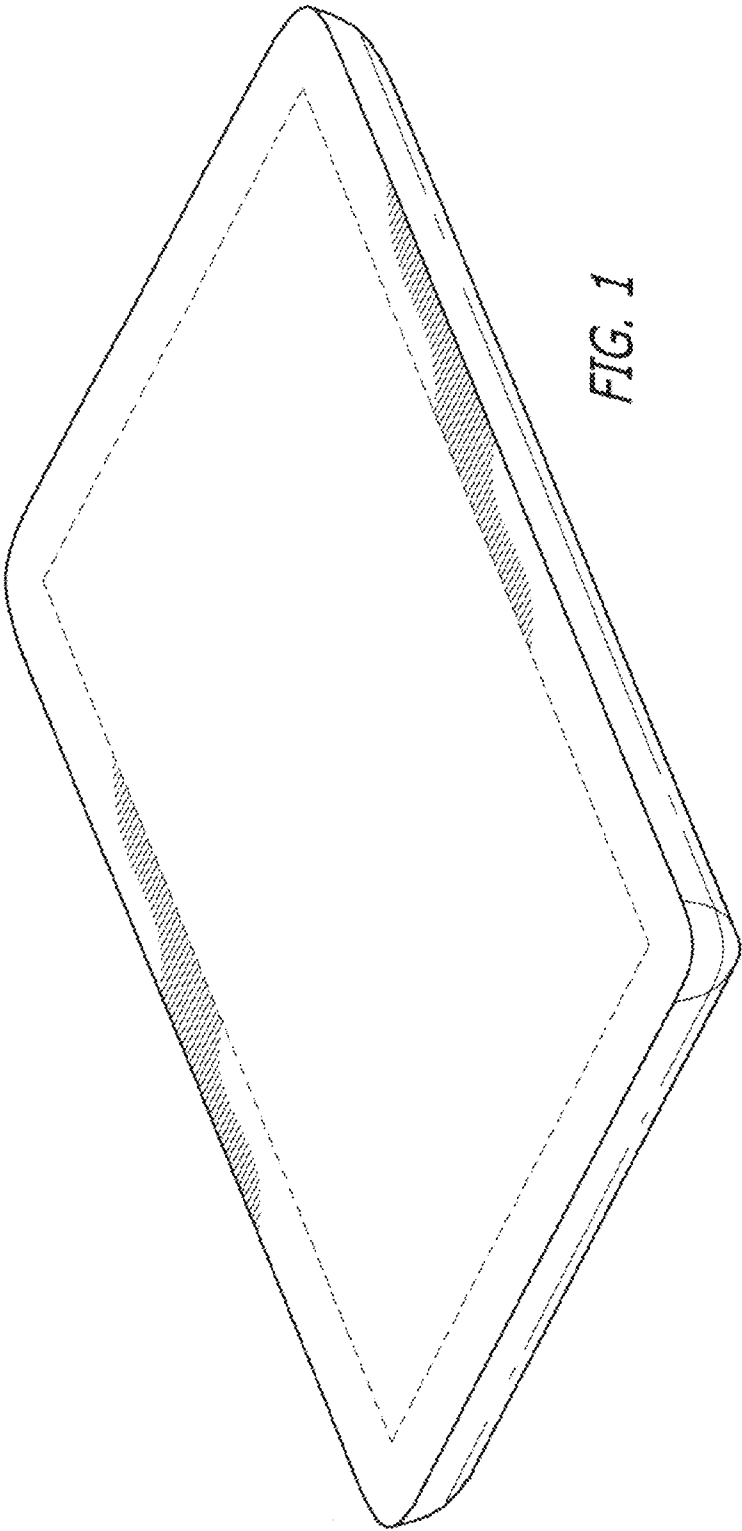
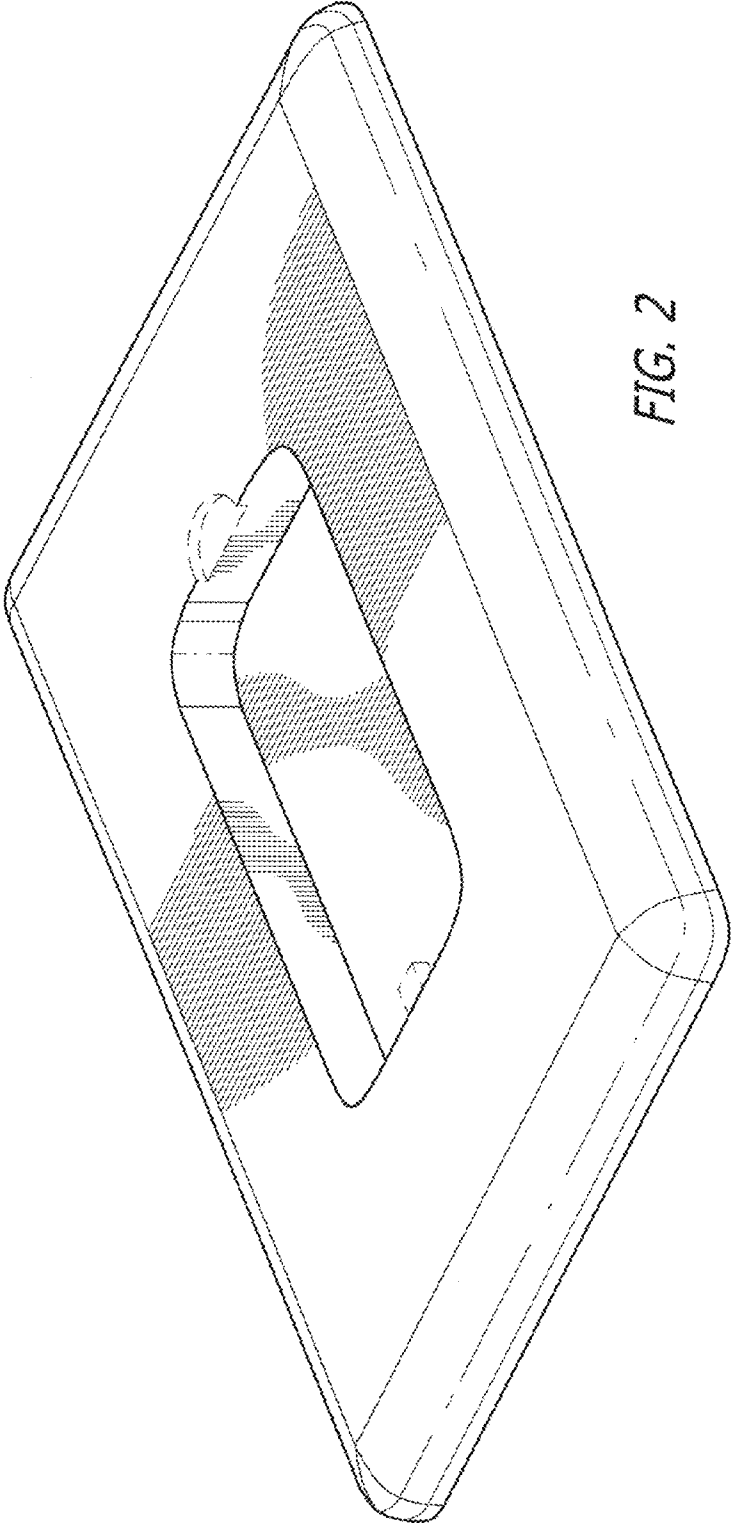


FIG. 1



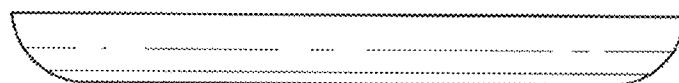


FIG. 3

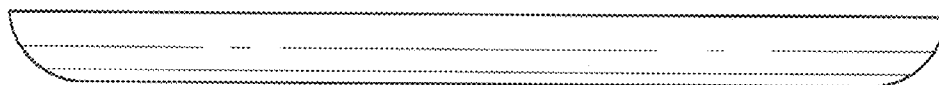


FIG. 4

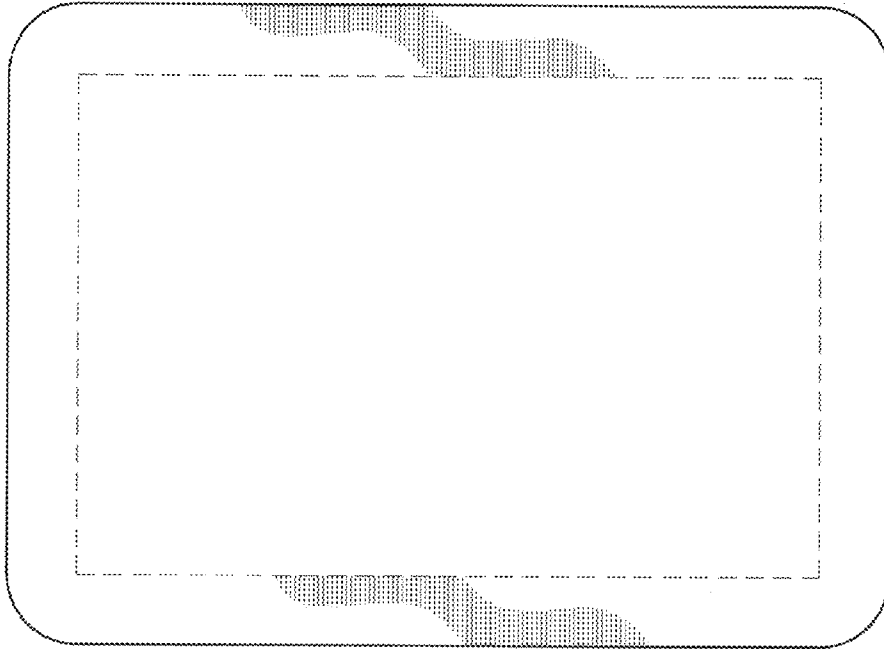


FIG. 5

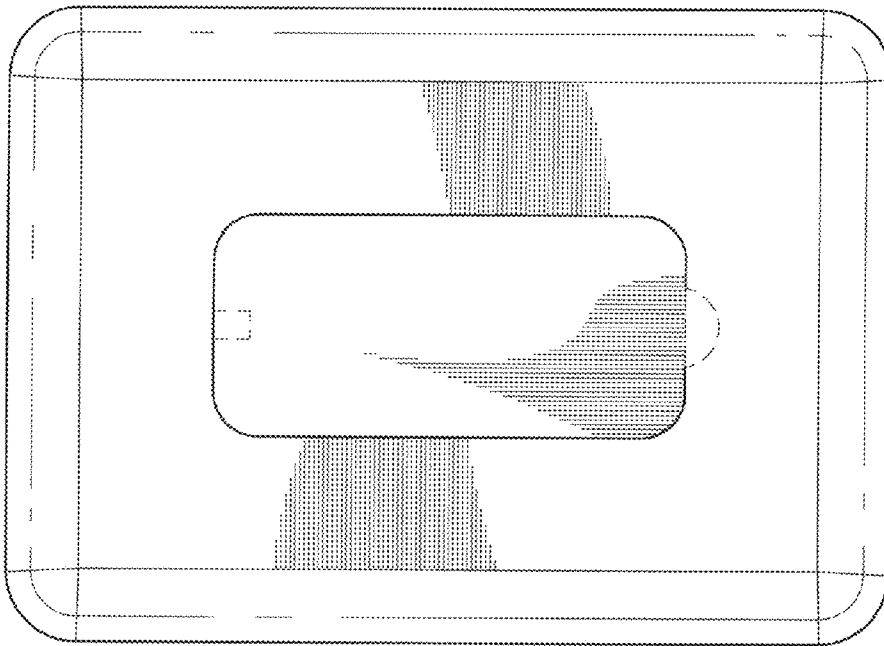


FIG. 6