

(19) World Intellectual Property Organization  
International Bureau



(43) International Publication Date  
2 March 2006 (02.03.2006)

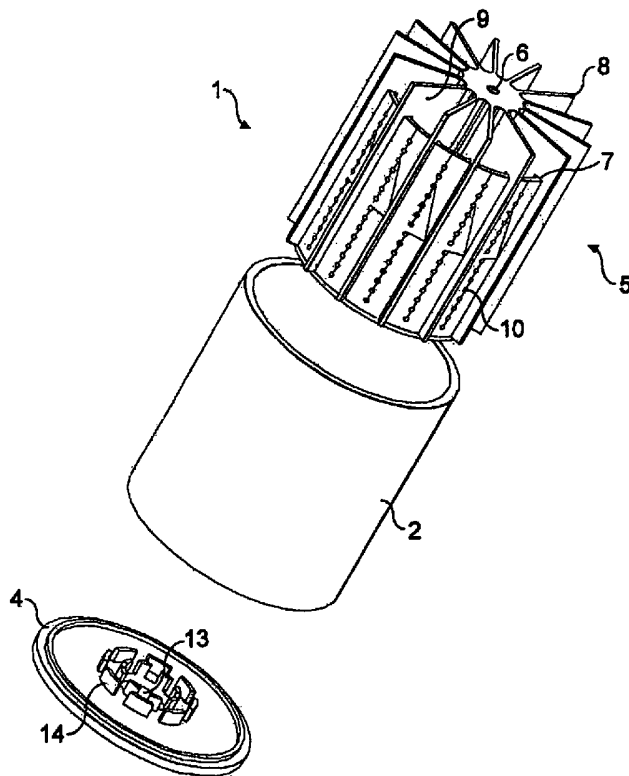
PCT

(10) International Publication Number  
**WO 2006/021769 A1**

- (51) International Patent Classification<sup>7</sup>: **A47L 15/44**, (72) Inventors; and  
D06F 39/02
- (21) International Application Number:  
PCT/GB2005/003271
- (22) International Filing Date: 22 August 2005 (22.08.2005)
- (25) Filing Language: English
- (26) Publication Language: English
- (30) Priority Data:  
0418760.5 23 August 2004 (23.08.2004) GB  
0503573.8 22 February 2005 (22.02.2005) GB  
0506812.7 5 April 2005 (05.04.2005) GB
- (71) Applicant (for all designated States except MN, US):  
**RECKITT BENCKISER N.V.** [NL/NL]; Kantoorgebouw de Appelaer, De Fruittuinen 2-12, NL-2132 NZ Hoofddorp (NL).
- (71) Applicant (for MN only): **RECKITT BENCKISER (UK) LIMITED** [GB/GB]; 103-105 Bath Road, Slough, Berkshire SL1 3UH (GB).
- (75) Inventors/Applicants (for US only): **BRANDT, Guido** [DE/AU]; Invetech Pty Limited, Private Bag 44, 495 Blackburn Road, Mt Waverley, VIC 3149 (AU). **ENKEL, Thomas** [DE/DE]; Reckitt Benckiser Produktions GmbH, Benckiserplatz 1, 67059 Ludwigshafen (DE). **GIBIS, Karl-Ludwig** [DE/DE]; Reckitt Benckiser Produktions GmbH, Benckiser Platz 1, 67059 Ludwigshafen (DE). **HAHL, Michael** [DE/CH]; Belpstrasse 18, CH-3007 Bern (CH). **HOUSMEKERIDES, Chris, Efstathios** [GR/DE]; Reckitt Benckiser Produktions GmbH, Benckiserplatz 1, 67059 Ludwigshafen (DE). **ROGERS, Brendyn** [AU/AU]; Invetech Pty Limited, Private Bag 44, 495 Blackburn Road, Mt Waverley, VIC 3149 (AU).
- (74) Agents: **DICKSON, Elizabeth, Anne** et al.; Reckitt Benckiser plc, Legal Department-Group Patents, Dansom Lane, Hull HU8 7DS (GB).
- (81) Designated States (unless otherwise indicated, for every kind of national protection available): AE, AG, AL, AM, AT, AU, AZ, BA, BB, BG, BR, BW, BY, BZ, CA, CH, CN,

[Continued on next page]

(54) Title: DETERGENT DISPENSING DEVICE



(57) Abstract: A free standing detergent dispensing device removably insertable into an automatic washing machine, the device comprising a cartridge having a plurality of chambers to accommodate a detergent composition, a directing means to direct wash liquor selectively into a chamber of a cartridge to contact the detergent composition therein, wherein the directing means is movable relatively to the cartridge to bring an opening in the directing means selectively into alignment with an inlet opening in each chamber.

WO 2006/021769 A1



CO, CR, CU, CZ, DE, DK, DM, DZ, EC, EE, EG, ES, FI, GB, GD, GE, GH, GM, HR, HU, ID, IL, IN, IS, JP, KE, KG, KM, KP, KR, KZ, LC, LK, LR, LS, LT, LU, LV, MA, MD, MG, MK, MN, MW, MX, MZ, NA, NG, NI, NO, NZ, OM, PG, PH, PL, PT, RO, RU, SC, SD, SE, SG, SK, SL, SM, SY, TJ, TM, TN, TR, TT, TZ, UA, UG, US, UZ, VC, VN, YU, ZA, ZM, ZW.

**(84) Designated States** (*unless otherwise indicated, for every kind of regional protection available*): ARIPO (BW, GH, GM, KE, LS, MW, MZ, NA, SD, SL, SZ, TZ, UG, ZM, ZW), Eurasian (AM, AZ, BY, KG, KZ, MD, RU, TJ, TM),

European (AT, BE, BG, CH, CY, CZ, DE, DK, EE, ES, FI, FR, GB, GR, HU, IE, IS, IT, LT, LU, LV, MC, NL, PL, PT, RO, SE, SI, SK, TR), OAPI (BF, BJ, CF, CG, CI, CM, GA, GN, GQ, GW, ML, MR, NE, SN, TD, TG).

**Published:**

— *with international search report*

*For two-letter codes and other abbreviations, refer to the "Guidance Notes on Codes and Abbreviations" appearing at the beginning of each regular issue of the PCT Gazette.*

- 1 -

### Detergent Dispensing Device

The present invention is related to a detergent dispensing device, particularly for dispensing said  
5 detergent into an automatic dishwashing or washing machine over a plurality of washing cycles.

In automatic dishwashing machines, the detergent, whether in powder, tablet or gel form, is usually filled  
10 manually by the user into the machine, in particular into a detergent holder, before each dishwashing operation.

This filling process is inconvenient, with the problem of exact metering of the detergent and possible spillage  
15 thereof, for powder and gel detergents. Even with detergents in tablet form, wherein the problem of accurate dosing is overcome, there is still the necessity of handling the dishwashing detergent every time a dishwashing cycle is started. This is inconvenient because of the usually  
20 corrosive nature of dishwasher detergent compositions.

A number of devices are known for holding unit doses of a detergent composition or additive, such as detergent  
25 tablets, and for dispensing of such unit doses into a machine.

WO 01/07703 discloses a device for the metered release of a detergent composition or additive into a dishwashing  
30 machine having a number of separate sealed chambers for holding the detergent composition or additive and means for piercing the chambers, activated by conditions within the machine.

- 2 -

WO 03/073906 discloses a free standing device for dispensing multiple doses of detergent into a dishwasher. The device has a plate-like construction. A round blister pack having a plurality of doses arranged around its periphery is loaded into the pack. A winder is then rotated to load mechanical energy into the device sufficient to dispense more than one dose of detergent. A thermally operated latch then moves when the device is subjected to the elevated temperatures within the dishwasher and, in cooperation with a ratchet mechanism, moves the blister pack so that the next dose of detergent is ready for dispensing. In order to dispense the detergent, either the blister pack is pierced, or the dose is ejected from its compartment within the blister pack.

WO 03/073907 discloses a similarly shaped free standing dispensing device. In order to dispense detergent, a lever is manually operated to move a blister pack either to eject the detergent from a compartment within the blister pack, or to pierce the blister pack. A door or flap initially prevents wash liquor within the machine from accessing the exposed detergent. A bi-metallic strip is provided to move the door or flap when the device is exposed to the elevated temperatures during a washing cycle to allow access of the wash liquor to the exposed detergent thereby dispensing the detergent to the machine.

The present invention is related to a development of these free standing devices.

- 3 -

According to the present invention there is provided a free standing detergent dispensing device removably insertable into an automatic washing machine, the device comprising a cartridge having a plurality of chambers to accommodate a detergent composition, a directing means to direct wash liquor selectively into a chamber of a cartridge to contact the detergent composition therein, wherein the directing means is movable relatively to the cartridge to bring an opening in the directing means selectively into alignment with an inlet opening in each chamber.

The directing means which selects a chamber by bringing an opening into alignment with an opening in a chamber offers considerable advantages over the prior art. In all of the above mentioned documents, a blister pack is opened by piercing a foil and either ejecting the detergent from the chamber or permitting access for the wash liquor to the chamber. In the former case, the device is made more complex as it is necessary to provide a chamber within the device to accommodate the ejected detergent until it is dissolved. Also, the ejecting means must be reasonably robust to ensure that the detergent is reliably dispensed and does not become stuck in the chamber.

In the latter case in which the blister pack is pierced, again it is necessary to provide a robust mechanism to ensure that the piercing element does not become stuck in the detergent compartment. Also, the opening created by the piercing member may be relatively limited as it will be obstructed to some extent by the film adjacent to the piercing and potentially by the piercing element itself.

- 4 -

By contrast, as the present invention only aligns opening in the directing means and cartridge, the two components need only to move relatively to one another and do not otherwise need to interfere with one another. Also, 5 the alignment of openings can provide an unobstructed path allowing ready access of the wash liquor to each chamber.

Preferably, such a device has a common outlet from all of the chambers which only permits substantially uni- 10 directional flow.

The outlet may be provided with a uni-directional valve to allow the uni-directional flow. However, the outlet is preferably provided with a tortuous path to allow the uni- 15 directional flow as such a path can be readily built into the device during its manufacture, e.g. by moulding. Preferably the outlet has a plurality of baffles which serve to deflect liquid entering the outlet back out of the outlet.

20

Preferably, the cartridge is spaced from the outlet. Thus, should a small amount of wash liquor enter the outlet, this will be accommodated in the space thereby preventing it from entering an unselected chamber.

25

The directing means may comprise a film comprising the opening which is moved linearly or rotatably into alignment with a chamber. However, preferably, the directing means comprises a spout which is rotatable into alignment with an 30 opening to a respective chamber. This spout is preferably designed to block access of the wash liquor to unselected chambers.

- 5 -

Preferably, the device is provided with a funnel leading to the directing means. This increases the amount of wash liquor which can be directed into a selected chamber.

The directing means or cartridge may be movable manually. In other words, the movement is fully controlled by a user. Alternatively, the device may be fully automatic i.e. proceed to dispense a number of doses in successive wash cycles without any user intervention as disclosed, for example, in WO 01/07703 and WO 03/073906. Alternatively, the device may be "semi-automatic". In this case, some user intervention is necessary either to move the directing means or cartridge which are then reset during operation of the machine. Alternatively, the user may reset the directing means or cartridge which are then moved during operation of the machine.

In the case of the automatic or semi automatic device, the device is preferably arranged to react to a parameter (e.g. pH, water conductivity, water mass, door operation) which occurs during the operation of the machine.

Preferably, the device contains a thermally reactive element and the parameter is temperature. The thermally reactive element may be any of a memory metal/memory alloy, thermal bimetal, bimetal snap element, shape memory polymer or wax motor. The element is preferably designed to react at between 25°C and 55°C (more preferably 38°C to 40°C). The element may be designed to react as soon as possible which may be necessary if the device has been reset manually and

- 6 -

must be moved automatically. However, if the device has been moved automatically and is reset by the thermal element, the thermal element preferably has a hysteresis effect. This delays the operation of the thermal element to ensure that the device is not reset during the early part of the wash cycle of the machine, but is only reset once the machine has carried out the full washing process.

This can be achieved in a number of different ways.

10

The first with a thermal element may be designed such that it has a hysteresis (time and/or temperature based). Thus the thermal element is activated at the start of the wash cycle. However, (for a temperature hysteresis effect) the thermal element is designed such that the decreasing temperature between the wash cycle(s) and the rinse cycle(s) is not sufficient to de-activate the element, and so re-activation at the start of the rinse cycle cannot occur. In this case the thermal element preferably has an activation temperature of around 38°C to 45°C and a de-activation temperature of around 25°C to 33°C.

For a time hysteresis effect the thermal element is designed such that it can only be activated once during a dishwasher cycle. Typically from 30 minutes to 2 hours.

A simulated temperature hysteresis effect may be achieved by providing a jacket around the thermal element. The jacket is intended to fill with hot wash liquor from the wash cycle. The jacket preferably has a small outlet aperture. The small outlet aperture means that during the relatively cool period between the wash and rinse cycle(s)



- 7 -

the jacket retains the majority of the hot wash liquor, meaning that the thermal element is not de-activated during this cooler period.

5           A further hysteresis effect may be achieved mechanically. In this case, by use of, for example, a double ratchet mechanism, the thermal element is allowed to react to both of the temperature changes. However, a double ratchet mechanism means that only the first activation cycle  
10 causes a change to the opening of a chamber of the device; the second activation is nullified by the second ratchet.

For the wax motor the melting and solidification behaviour of the wax itself can be used for the hysteresis,  
15 because certain wax types show slow solidification compared to melting.

Also for the wax motor the hysteresis effect may be achieved by an water collector (having a small/slow water  
20 release aperture) which prevents the wax motor from the second movement by the weight of the collected water. The water collector preferably empties over 20 minutes to an hour.

25           If the chambers contain both wash detergent and rinse aid with both being intended to be released in to their respective cycle(s) the activation of the thermal element at both cycle(s) is advantageous.

30           Generally the automated component includes a reset mechanism to cover the eventuality that a consumer disrupts

- 8 -

the operation of the automatic washing machine during a washing cycle.

In the case of either the manually operated device, or  
5 the "semi-automatic" device, the manually operated mechanism may either be configured to be operated by the hand of a user, or may be configured to be operated by the door of the machine.

10 Either the directing means or the cartridge may be arranged to be movable to select a dose of detergent. However, preferably, the directing means is arranged to be movable as this requires less energy than moving the cartridge filled with detergent.

15 Preferably, the cartridge is removable from the device to allow the cartridge to be sold as a replaceable component which is inserted into the device in which the directing means is provided.

20 The device is preferably for use in an automatic dishwasher. Accordingly the detergent most preferably comprises an automatic dishwasher detergent. Examples of which include conventional detergents, and the '2-in-1' and  
25 '3-in-1' variants. Most preferably the detergent comprises a solid. In the context of the present invention the term solid can be taken to include solidified gels as well as conventional solid materials (such as compressed particulate materials and solidify molten/cross linked materials).

30 The detergent formulation typically comprises one or more of the following components; builder, co-builder,

- 9 -

surfactant, bleach, bleach activator, bleach catalyst, enzyme, polymer, dye, pigment, fragrance, water and organic solvent.

5           Optionally the detergent comprises a detergent additive. It will be appreciated that a detergent additive when compared to a detergent may be required during a different section of the dishwasher wash cycle (e.g. such as the rinse cycle for a rinse aid detergent additive).

10

          Indeed successive chambers of the cartridge may be filled with different detergent compositions. For example a first chamber, intended to be dispensed in a wash cycle of a dishwasher may contain a 'wash formulation' and a second  
15 chamber, which may for convenience be located adjacent to the first chamber, may contain a rinse aid formulation for dispensing in a rinse cycle of an automatic dishwasher.

          The chamber may be divided into sub-chambers, each of  
20 them being exposed to the washing liquor at once, to ensure stability of incompatible ingredients of the detergent (i.e. enzymes and bleach).

          It will be appreciated that in the scenario as  
25 described in the preceding paragraph the first and second chambers may be sized differently to suit their different purposes.

          The detergent may be added to the cartridge by any  
30 suitable method. The detergent may be added to the cartridge manually, by casting or by injection moulding.

- 10 -

A suitable injection moulding process is described in British Patent Application No 0323659.3 and British Patent Application No 0415786.3.

5            Preferably the device includes an indication mechanism to show how many chambers of the cartridge remain (i.e. are still full of detergent) so that a user has an idea of when a replacement is required. A preferred form of an indication mechanism comprises a marking on the cartridge  
10            which can be viewed by a consumer. The marking may comprises a series of numerals arranged in association with one or more of the chambers of the cartridge. Such a marking may require a window in order to be viewed by a consumer. Optionally the marking may be associated with a  
15            fixed marker so that the relevant part of the marking is clearly indicated.

            Optionally the marking may employ a colour scheme (e.g. along the lines of a traffic light system with red meaning  
20            that only a small number of chambers remain, yellow an intermediate number and green a large number of chambers remain.

            Generally the device includes an "end-of-life"  
25            indicator to show when the cartridge has been used. Normally the "end-of-life" indicator provides two functions: firstly it high-lights to the consumer that the cartridge needs replacing and secondly it prevents further activation of the cartridge.

30

- 11 -

The "end-of-life" indicator may be a part of the indication mechanism (as discussed above). Alternatively it may com-prise a separate indicator.

5        Usually the "end-of-life" indicator is deactivated when a new/replacement cartridge is added to the device. The deactivation may be automatic or require manual input.

10        Examples of devices in accordance with the present invention will now be described with reference to the accompanying drawings, in which:

15        Figures 1(a), 1(b) and 1(c) are perspective, exploded perspective and cross-sectional side views of a first embodiment of a detergent dispensing device in accordance with the present invention;

20        Figures 2(a) to 2(c) are perspective and cross-sectional perspective views of a second embodiment of a detergent dispensing device in accordance with the present invention;

25        Figures 3(a) to 3(d) are perspective and cross-sectional perspective views of a third embodiment of a detergent dispensing device in accordance with the present invention;

30        Figures 4(a) to 4(e) are perspective and cross-sectional perspective views of a fourth embodiment of a detergent dispensing device in accordance with the present invention;

- 12 -

Figures 5(a) to 5(e) are perspective and cross-sectional perspective views of a fifth embodiment of a detergent dispensing device in accordance with the present invention;

5

Figures 1(a) to 1(c) show a detergent dispensing device 1. The device 1 comprises a housing 2 which is in the form of a cylinder having a lid 3 and a base 4.

10 Disposed within the housing 2 is a cartridge 5. The cartridge 5 is also based on a cylinder. The cartridge 5 has a central hub 6 and an outer periphery 7. Arranged at regular intervals are a plurality of limbs 8 which extend from the hub 6 to the periphery 7. The limbs 8 serve as to  
15 divide the centre of the cartridge 5 into a plurality of wedge shape chambers 9. The limbs 8 extend up to lid 3 so as to separate the chambers from one another. In the diagram as shown there are fourteen chambers 9 clearly it will be appreciated that the number of changes may be  
20 different from that shown.

The chambers are intended to be filled with a detergent composition (not shown).

25 The periphery 7 of each chamber 9 has a plurality of drainage apertures 10.

The lid 3 is rotatable relative to the remainder of the housing 2 and the cartridge 5. The lid 3 has a spindle 11  
30 which co-operates with the hub 6 of the cartridge 5. The lid incorporates a inlet aperture 12, which serves, in use,

- 13 -

as to direct wash liquor into a particular chamber of the cartridge 5.

In use the lid is arranged such that the inlet aperture 5 12 is arranged adjacent to an appropriate chamber 9. This may be done entirely manually or by the use of an automatic component as described in later examples. The device 1 may then be inserted into an automatic washing machine (such as an automatic dishwasher). In use the wash liquor is 10 directed through the inlet aperture 12 into an adjacent chamber 9. The incoming wash liquor contacts any detergent present within the chamber 9 and washes the detergent out of the chamber 9 through one of the drainage apertures 10. The thus loaded wash liquor flows through the space between the 15 cartridge 5 and the housing 2 and leaves the housing 2 through a uni-directional dispense aperture 13, which is, in use, in the bottom of the housing.

As shown the uni-directional dispense aperture 13 20 achieves this function by an arrangement of baffles 14, these baffles 14 allow the detergent loaded liquor to be dispensed from the device 1 under the action of gravity. However any wash liquor entering the device 1 through aperture 13 is generally deflected back through aperture 13 25 by the baffles. The general downward flow through the device also serves to wash out any such unwanted flow. A clearance is provided between the bottom of the cartridge 5 and the base 4 so that the detergent in unselected chambers is held away from the liquid in the bottom of the housing 30 (either unwanted backflow or flow through the selected chamber).

- 14 -

Figures 2(a) to 2(c) show a second embodiment of a detergent dispensing device 1. Like the first embodiment the housing 2 and the cartridge 5 are circular/cylindrical. The housing 2 has a clip 2A for attachment to a basket within the machine to maintain the device upright. The cartridge has a similar configuration to that of the first example, with the differences being set out below. The main difference compared to the first example is that the manually rotatable lid 3 has been replaced by a more sophisticated mechanism.

The cartridge 5 is not rotatable relative to the lid 3. Instead to allow access of wash liquor to the chambers 9 the device comprises a collecting funnel 21 which co-operates with a rotatable directing spout 22.

In operation incoming wash liquor is collected in the funnel 21 and allowed to flow to the directing spout 22. The directing spout 22 has a spout outlet 23 which directs wash liquor to a single chamber 9. For successive wash cycles/successive operations both the funnel 21 and the directing spout 22 are rotated relative to the cartridge 5 so that a successive chamber 9 can be accessed.

To effect rotation of the funnel 21 a user depresses an operating button 24 against a bias spring 25. Upon depression of the operating button 24, lugs 26, on arms 27, dependent from the button 24 engage with slots 28 disposed within a central opening of the funnel 21. The button 24 is non-rotatably mounted in the lid 3 and since the slots 28 are inclined at an angle from the vertical axis of the hub 6, depression of the button 24 causes rotation of the funnel



- 15 -

21 (and the associated directing spout 22) within the housing 2 supported on bearing wheels 21A.

The rotation of the funnel 21 within the housing 2 is such that a successive chamber 9 of the cartridge 5 may be accessed by incoming wash liquor, (i.e. the slots 28, the lugs 26 and the arms 27 are arranged such that full depression of the operating button 24 causes rotation of the funnel 21 such that a successive chamber 9 is brought into an operational position).

To aid the user in knowing how many chambers of the cartridge 5 remain the lid 3 includes a window 29. Through the window 29 a user can view a portion of the funnel 21. The viewed portion preferably contains numerals associated with the number of the chamber 9 in use or number of chambers 9 remaining (i.e., chambers 9 which still contain detergent).

The bias spring 25 preferably comprises a bimetallic material. In use, when the button 24 is depressed before the wash cycle commences, the button 24 does not return to its original position. This non-return function aids the prevention of accidental multiple operation of the device 1. Towards the end of the wash cycle as the temperature increases in the rinse and/or drying cycle, the spring 25 is activated returning the button 24 to its original position.

When the button 24 returns to its original position, reverse rotation of the funnel 21 is prevented by two mechanisms. Firstly, a ratchet mechanism (not shown) prevents rotation. Secondly, preferably the arms 27 are

- 16 -

resilient, such that on upward movement the arms bend inwards and do not engage the slots 28.

When the last chamber 9 of the cartridge 5 is placed in its operational position the directing spout 22 engages an 'end-stop' so that the funnel 21 cannot rotate any further. In this position if the button 24 is operated the lugs 26 simply ride over the slots 28 by virtue of flexing of the arms 27.

10

When the last chamber 9 has been used the cartridge 5 can be replaced by a user.

As is apparent from Fig. 2c, the cartridge 5 is configured differently from that of Fig. 1. In particular, the inlet 5A to each chamber 9 is no longer at the end wall of the cartridge, but is instead at the top of a radially inwardly facing wall facing the hub 6 so as to be aligned with the spout 22. A weir 5B is provided between the inlet 5A and the detergent 5C to prevent small amounts of water which may be directed to an unselected chamber 9, from coming into contact with the detergent. In place of the axially spaced drainage apertures 10 is a single aperture 5D in the bottom face of the chamber. In order to assist the general flow of the wash liquor through the chamber 9, there is a space 5E between the radially outermost edge of the detergent 5C and the inner wall of cartridge 5. Further, one or more axially extending through holes 5F are provided in the detergent to facilitate flow.

30

Also, to provide a uni-directional flow out of the bottom of the device, the outlet 13 is now towards the outer

- 17 -

periphery of the device and is radially offset by considerable amount in relation to the outlets 5D. Also, baffles 14 will direct any unwanted back flow through outlet 13.

5

Figures 3(a)-3(d) show a third embodiment of a detergent dispensing device 1. Like the first and second embodiments the housing 2 and the cartridge 5 are circular/cylindrical. This device has a similar spout and cartridge to that of the second embodiment. However, the  
10 manner in which the button is operated is different.

The device 1 has a directing spout 22 in the form of a ratchet (the directing spout 22 preferably co-operates with  
15 a collecting funnel 21 (not shown but as described in Figs. 2a to 2c). The directing spout has a spout outlet. In operation incoming wash liquor is collected in the funnel and allowed to flow via the directing spout to a single chamber 9. For successive wash cycles/successive operations  
20 the directing spout 22 is rotated relative to the cartridge 5 so that a successive chamber 9 can be accessed.

The operation is explained with reference to a sequence of events from Figures 3(b) to 3(d). The button 24 is  
25 designed to be operated by engagement with a dishwasher door rather than the hand of an operator as in Figs. 2a to 2d. This device will need to be positioned within the machine so that the door presses the button as it closes.

30 In Figure 3(b) the dishwasher door is open and the dishwasher is cold. In this state the user can fill the dishwasher with houseware, opening and closing the

- 18 -

dishwasher door as often as is necessary to fully load the dishwasher.

The first time that the dishwasher door is closed the  
5 operating button 24 is depressed (the button 24 is spring  
biased away from the device) and is retained in a depressed  
condition by virtue of a first arm 30A (see Figure 3(c)).

A first arm 30A operates in conjunction with a  
10 bimetallic strip 31. The bimetallic strip 31 is in the form  
of a blade mounted on the lid 3. The bimetallic strip 31  
has a rod 32 extending from its non-mounted end.

The first arm 30A terminates in a flange 33.  
15

When the door is closed (thus moving the button 24  
towards the device 1) the arm 30A is moved inward towards  
the bi-metallic strip 31. The flange 33 passes behind and  
engages the rod 32. This engagement locks the operating  
20 button 24 in position: further opening of the dishwasher  
door cannot cause movement of the button 24.

As shown in Figure 3(d) the dishwasher operation has  
begun. As a result of the operation (elevated temperature)  
25 the bi-metallic strip 31 is altered to its high temperate  
state. This has the effect that the rod 32 moves away from  
the first arm 30A until it no longer engages flange 33.

As the flange 33 is no longer engaged by rod 32 the arm  
30a moves sideways. The operating button 24 is now free to  
30 move once the dishwasher door is opened. Thus when the

- 19 -

dishwasher door opens the button 24 is moved away from the device by a return spring (not shown).

A second arm 30B (attached to the button 24), in the form of a lever pawl engages the directing spout 22. Outward movement of the button 24, and attached arm 30B caused further movement of the directing spout 22. In this way the orientation of the directing spout 22 is altered such that a new chamber 9 of the cartridge 5 is put in to an operational position for the next dishwasher cycle.

If the dishwasher is not open for some time (and thus cools down) re-engagement of the rod 32 and the flange 33 (potentially caused by the movement of the bimetallic strip 31 back to its low temperature configuration) is prevented by the movement of the arm 30A past the rod 32.

A third arm 30C provides a biasing force against the spout 22 to prevent reverse rotation of the spout when the second arm 30B is disengaged from the spout.

When all the chambers 9 of the cartridge 5 have been used further movement of the directing spout 22 (and hence the cartridge 5) is prevented by engagement of a lug (not shown) on the directing spout 22 with a pawl (not shown).

Figures 4(a) to 4(e) show a fourth embodiment of a detergent dispensing device 1.

The fourth embodiment is very similar to the third embodiment. Only the material differences will be described

- 20 -

in detail. Again, the detergent cartridge is as described previously.

The main differences are the operation of the arms 30A  
5 and 30B and the operation of the bimetallic strip 31.

The operation is explained with reference to a sequence of events from Figures 4(a) to 4(e).

10 In Figure 4(a) the dishwasher is cold and the dishwasher door is open.

In Figure 4(b) the dishwasher door is closed. The arm 30B engages the directing spout 22 and rotates the directing  
15 spout 22, bringing a new chamber 9 of the cartridge 5 into an operating position.

Also shown in Figure 4(b) a flange 33 on arm 30A engages a rod 32 in the lid 3. This engagement of the  
20 flange 33 with the rod 32 prevents further movement of the button 24, in the event that the dishwasher door is opened, e.g., during the wash cycle.

The device 1 comprises a bimetallic strip 31 in the  
25 form of a bent rod, the rod being looped around and mounted around a first mounting 34a and abutting against a second mounting 34b.

During the wash cycle as the temperature in the machine  
30 increases the bimetallic strip 31 changes to its high temperature configuration passing arm 30A and dropping down behind it to engage the flange 33 (Figure 4(c) and 4(d)).

- 21 -

As the machine cools after the wash cycle the bimetallic strip 31 returns to its low temperature configuration. In doing so it disengages the flange 33 from the rod 32 (Figure 4(e)). With the disengagement the button 24 is free to move away from the device 1. Thus the arm 30B is moved relative to the directing spout 22 such that the device 1 is ready for the next operation.

10 Figure 5(a) - 5(e) show a variant of a thermal control arrangement that can be used with a device of the present invention.

The arrangement comprises an operating button 24 (which can be manually operated or door operated) linked to an arm 15 30. The arm 30 may operate an element of the device 1 or may simply provide a restriction on the operation of the button 24. The arm has a heel 36.

20 A bimetallic element 31 (here in the form of a snap disc) has a frame 37 associated therewith.

The frame 37 comprises an arm 38 and a jaw 39.

25 The frame arm 38 is connected to the centre of the snap disc 31. Along a portion of the frame arm 38 is disposed a pivot 40. At the other end of the frame arm 38 is the jaw 39.

30 The jaw 39 is disposed around the heel portion 36 of the arm 30. The jaw 39 has a lower tooth 41A and an upper tooth 41B which are intended to interact with the heel 36.

- 22 -

The upper tooth 41B is disposed further from the pivot 40 than the lower tooth 41A.

In use the button 24 is depressed against a spring bias  
5 25. This causes movement of the arm 30 relative to the jaw  
39 such that the heel 36 engages at the lower tooth 41A  
(against a spring bias 42). As a result of this engagement  
the button 24 is retained in its activated position  
regardless of whether the dishwasher door is opened and/or a  
10 user attempts further activation.

As the dishwasher machine operates the temperature of  
the dishwasher and hence the overall device 1 increases.  
With this temperature increased the snap disc 31 alters to  
15 its high temperature configuration. This alteration raises  
the section of the frame arm 38 which is connected to the  
snap disc 31. The other end of the frame arm 38 is lowered  
(pivoting about axis 40) and thus the jaw 39 is lowered.  
This has the effect that the engagement of the heel 36 with  
20 a lower tooth 41A is severed. The heel 36 then engages the  
upper tooth 41B, the heel being pushed towards the upper  
tooth 41B by the spring bias 42.

As the dishwasher cycle is completed and the dishwasher  
25 cools (possibly aided by opening of the dishwasher door) the  
snap disc 31 reverts to its lower temperature configuration.  
This has the effect that the upper tooth 41B is raised away  
from the heel 36 until the heel 36 - upper tooth 41B  
engagement is broken.

30



- 23 -

Since the heel 36 encounters no further retaining force the spring bias working against the button 24 is able to push the button 24 back to its inactivated position.

- 24 -

Claims

1. A free standing detergent dispensing device removably insertable into an automatic washing machine, the  
5 device comprising a cartridge having a plurality of chambers to accommodate a detergent composition, a directing means to direct wash liquor selectively into a chamber of a cartridge to contact the detergent composition therein, wherein the directing means is movable relatively to the cartridge to  
10 bring an opening in the directing means selectively into alignment with an inlet opening in each chamber.

2. A device according to claim 1, wherein the directing means comprises a spout which is rotatable into  
15 alignment with an opening to a respective chamber.

3. A device according to claim 2, wherein the spout is arranged to block access of the wash liquor to unselected  
20 chambers.

4. A device according to any one of the preceding claims, wherein the device is provided with a funnel leading to the directing means.

25 5. A device according to any one of the preceding claims, wherein the directing means or cartridge are movable manually to select a subsequent chamber.

30 6. A device according to any one of any of claims 1 to 4, wherein the directing means or cartridge are automatically movable to select a subsequent chamber.

- 25 -

7. A device according to any of claims 1 to 4, wherein user intervention is necessary either to move the directing means or cartridge which are then reset during operation of the machine.

5

8. A device according to any of claims 1 to 4, wherein user intervention is necessary to reset the directing means or cartridge which are then moved during operation of the machine.

10

9. A device according to any of claims 6 to 8, wherein the device is arranged to react to a parameter which occurs during the operation of the washing machine.

15

10. A device according to claim 9, wherein the device contains a thermally reactive element and the parameter is temperature.

20

11. A device according to claim 5, 7 or 8, wherein the device is configured to be operated by the hand of a user.

25

12. A device according to any one of claims 5, 7 or 8, wherein the device is configured to be operated by the door of the machine.

13. A device according to any of the preceding claims, wherein the directing means is arranged to be movable and the cartridge is stationary.

30

14. A device according to any of the preceding claims, wherein the cartridge is removable from the device.

- 26 -

15. A device according to any one of the preceding claims having a common outlet from all of chambers which only permits substantially uni-directional flow.

5 16. A device according to claim 15, wherein the outlet is provided with a tortuous path to allow the uni-directional flow.

17. A device according to claim 15 or claim 16,  
1) wherein the outlet has a plurality of baffles which serve to deflect liquid entering the outlet back out of the outlet.

18. A device according to any of claims 15 to 17,  
5 wherein the cartridge is spaced from the outlet.

19. A device according to any one of the preceding claims, wherein the cartridge is pre-loaded with detergent and is removable from the device.

20. A device according to any one of the preceding claims, wherein the device is cylindrical and is, in use, configured to be positioned with its main axis substantially vertical.

21. A device according to claim 20, wherein the height of the device is greater than its outer diameter.

1 / 10

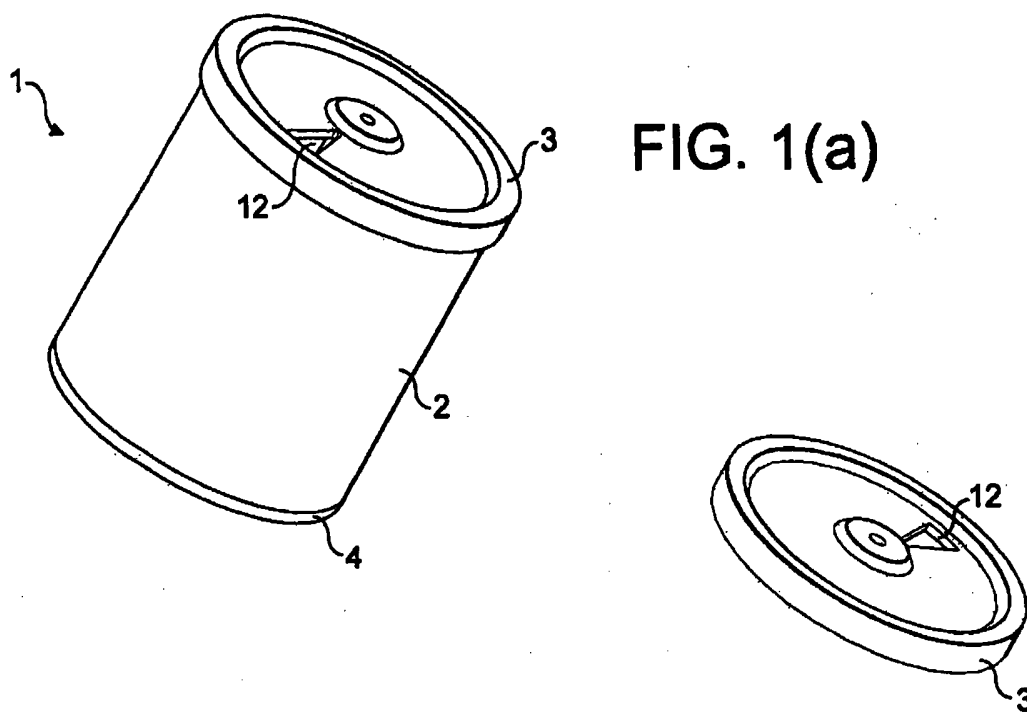


FIG. 1(a)

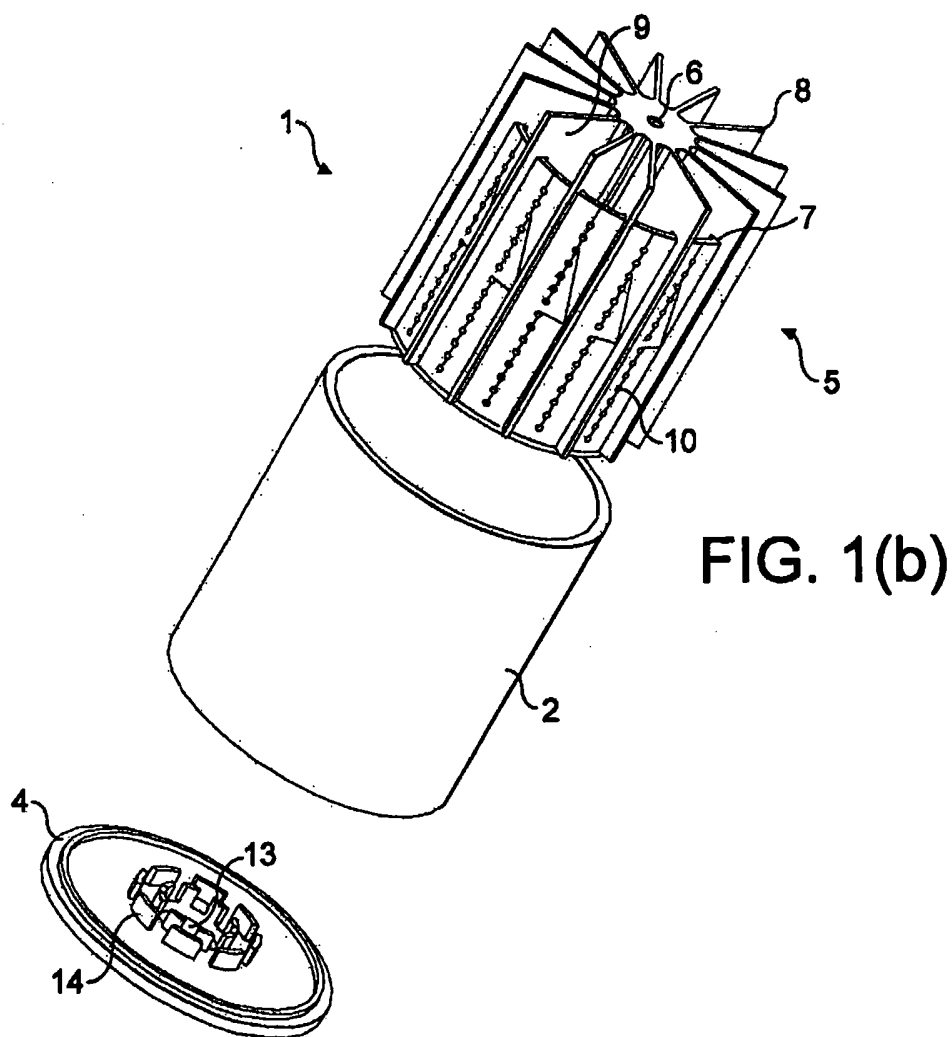


FIG. 1(b)



3 / 10

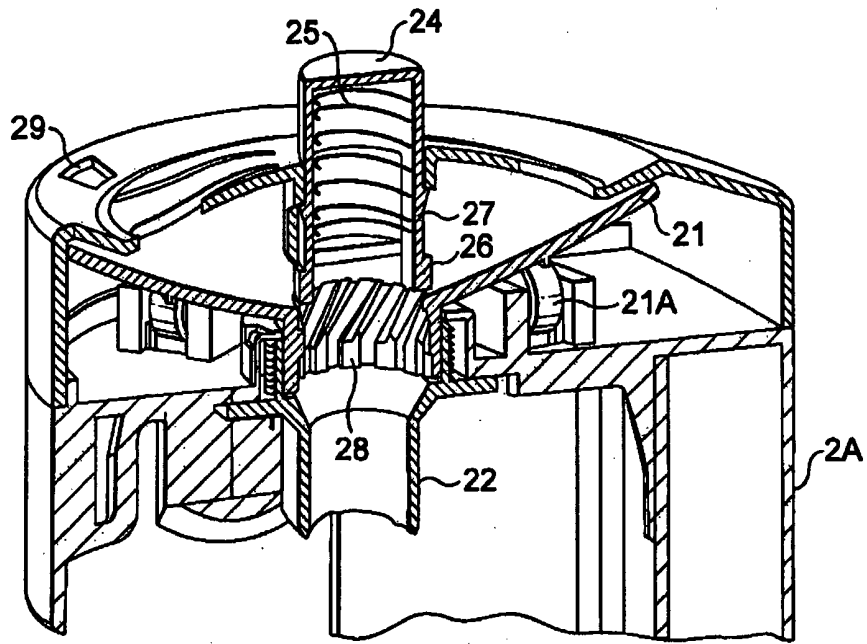


FIG. 2(a)

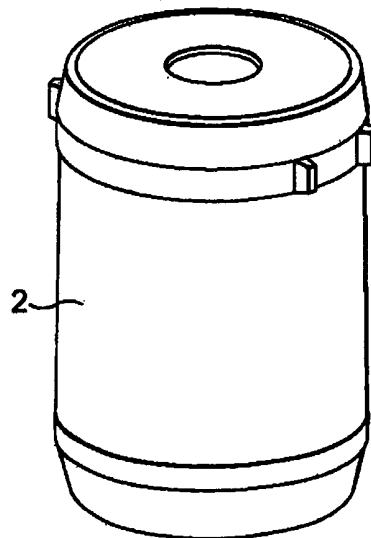
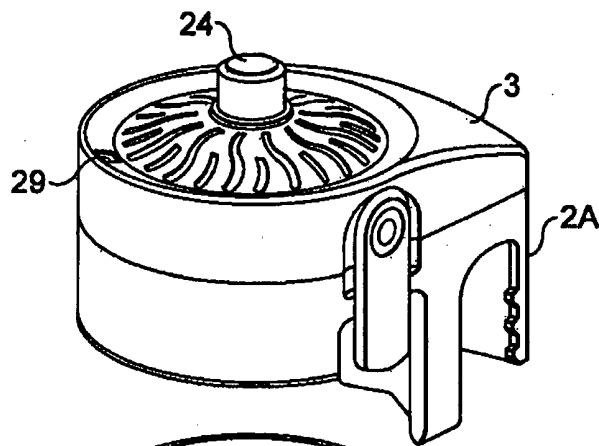


FIG. 2(b)

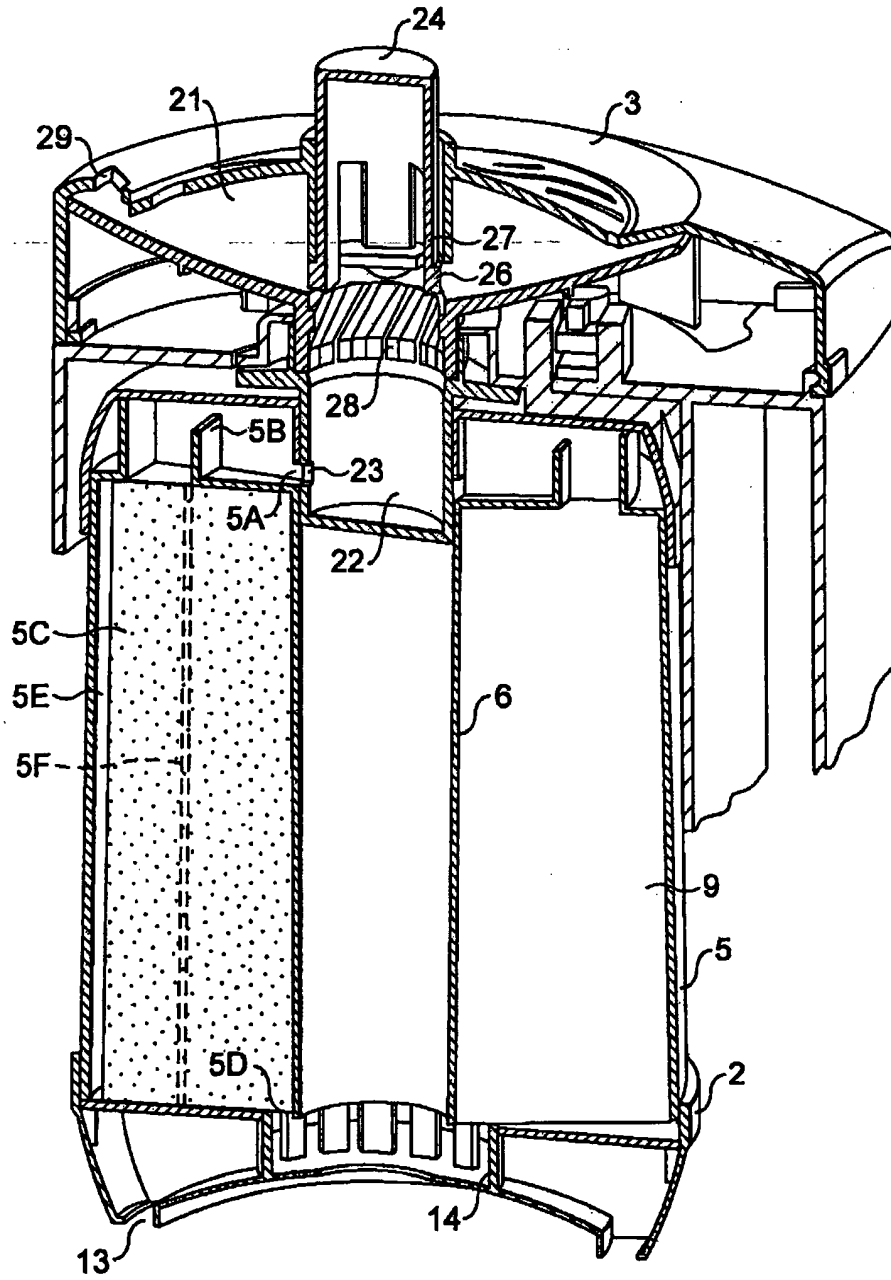


FIG. 2(c)



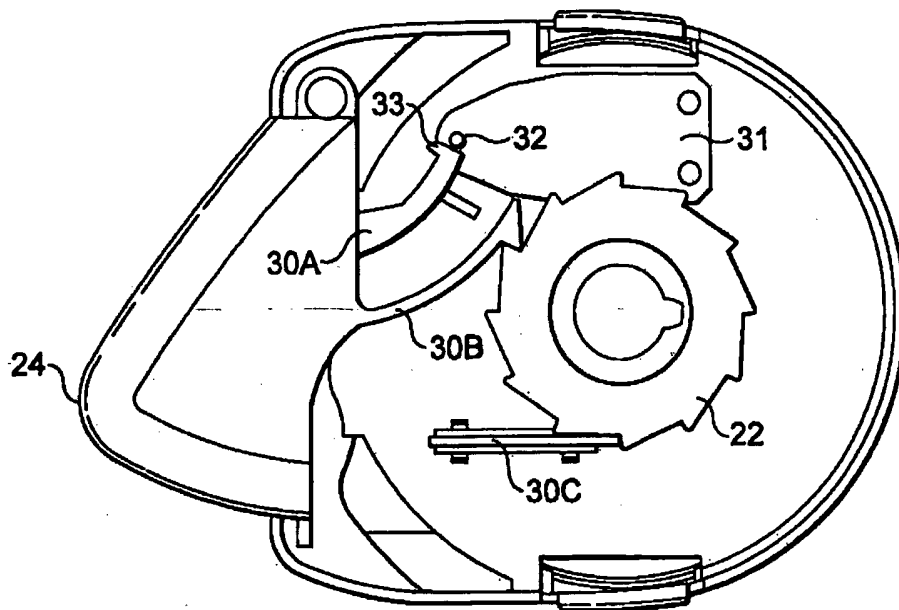


FIG. 3(a)

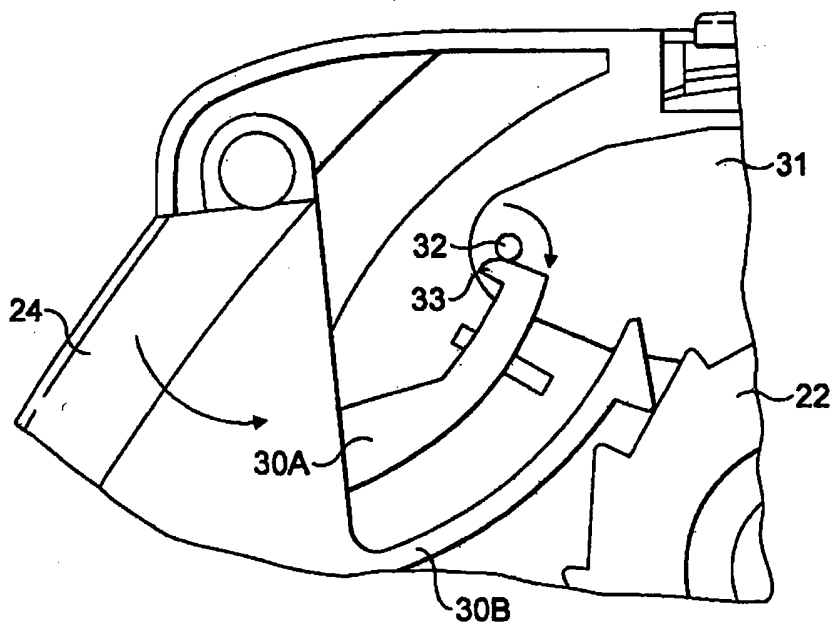


FIG. 3(b)

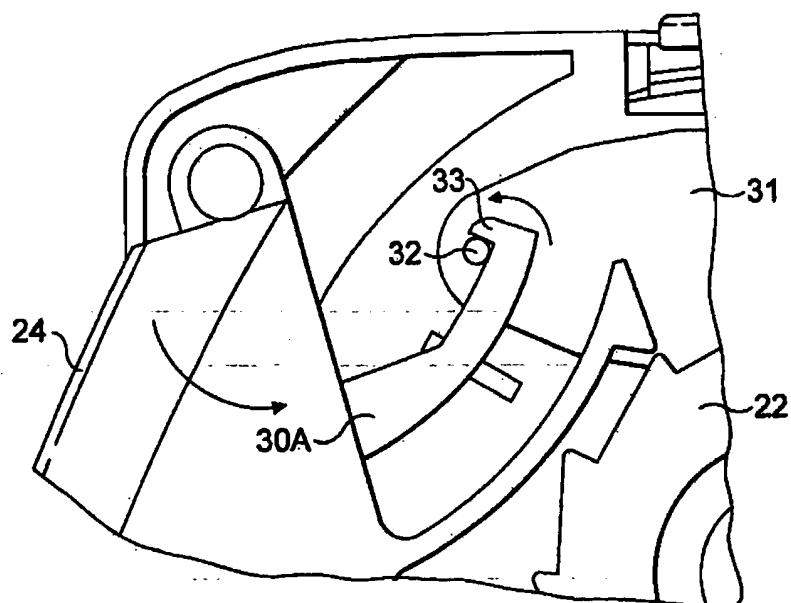


FIG. 3(c)

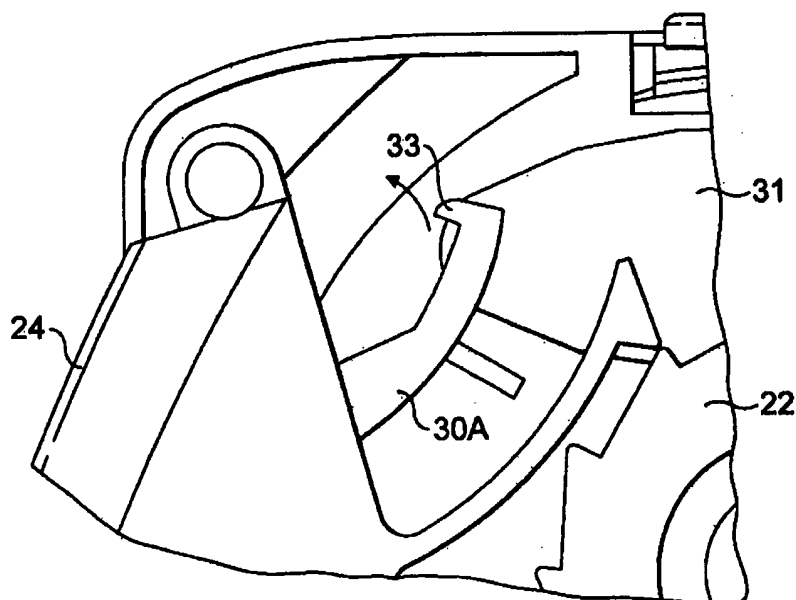


FIG. 3(d)

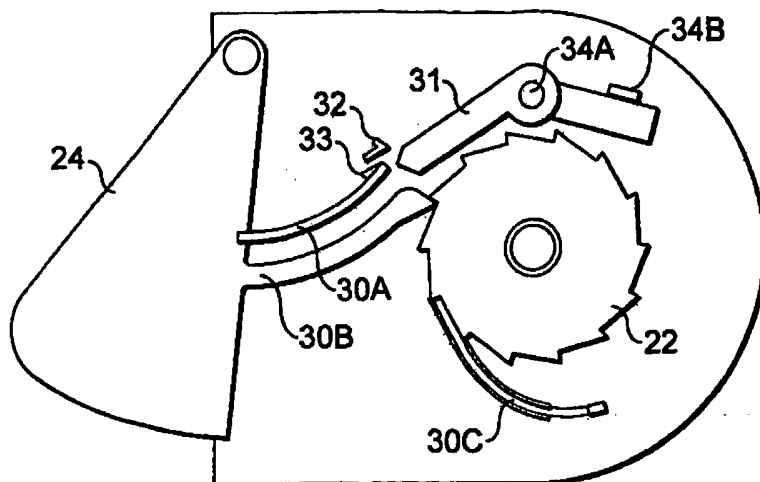


FIG. 4(a)

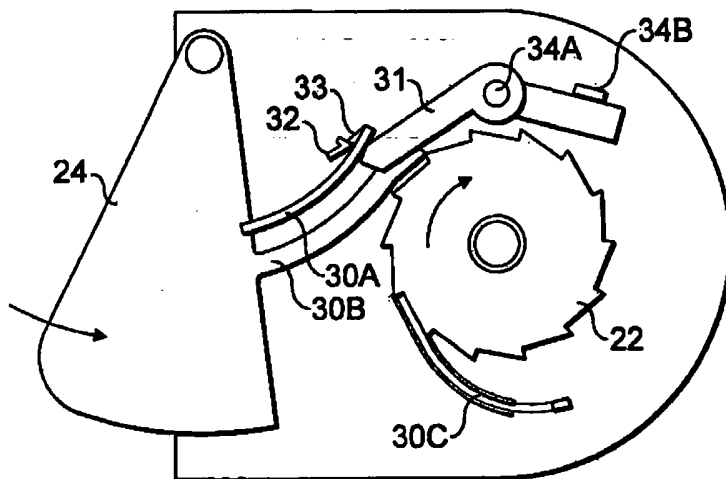


FIG. 4(b)

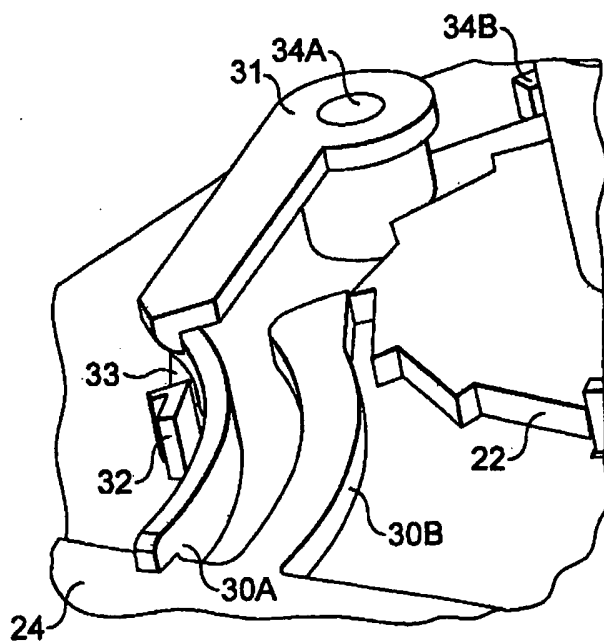


FIG. 4(c)

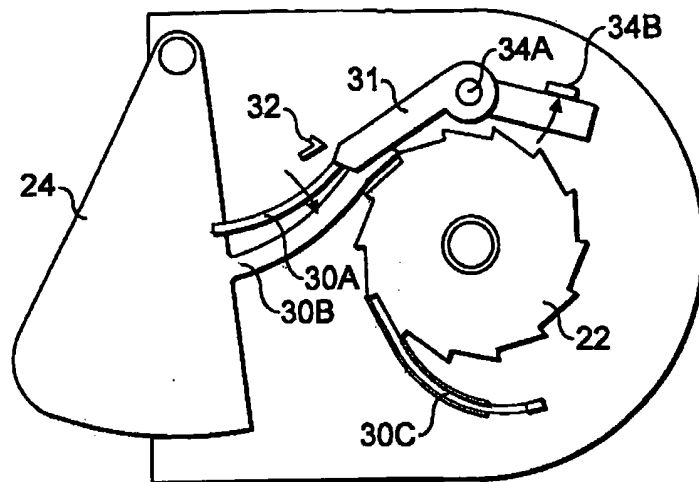


FIG. 4(d)

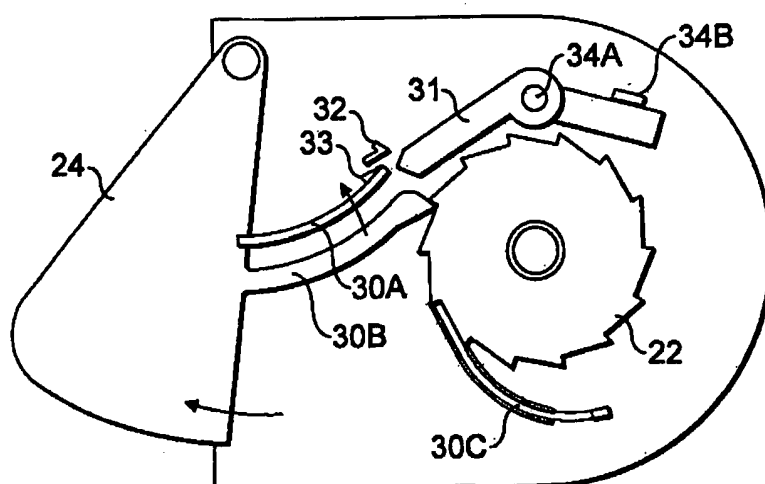


FIG. 4(e)

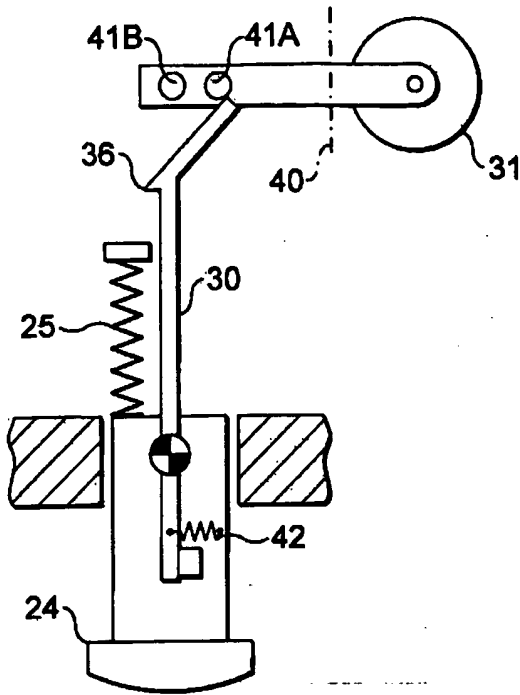


FIG. 5(a)

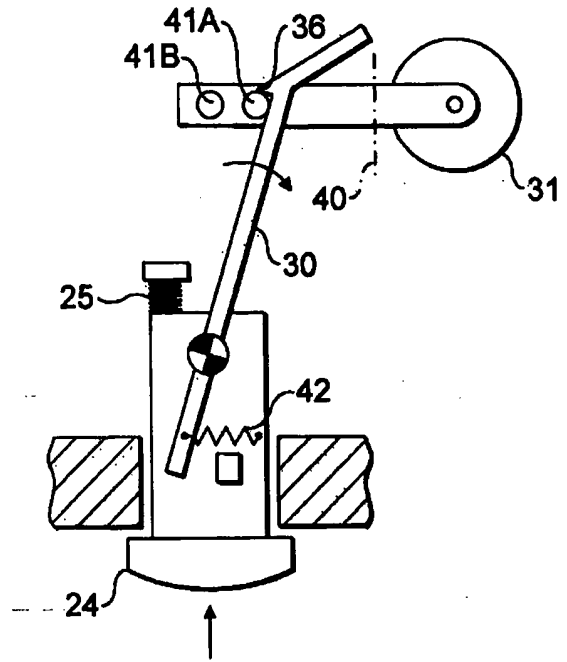


FIG. 5(b)

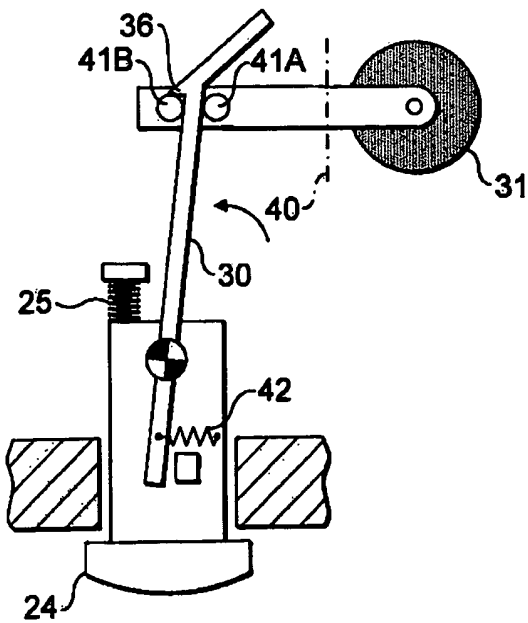


FIG. 5(c)

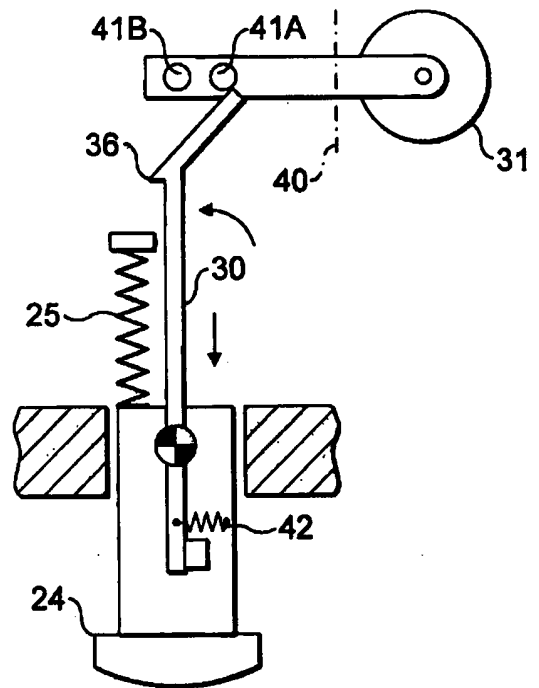


FIG. 5(d)

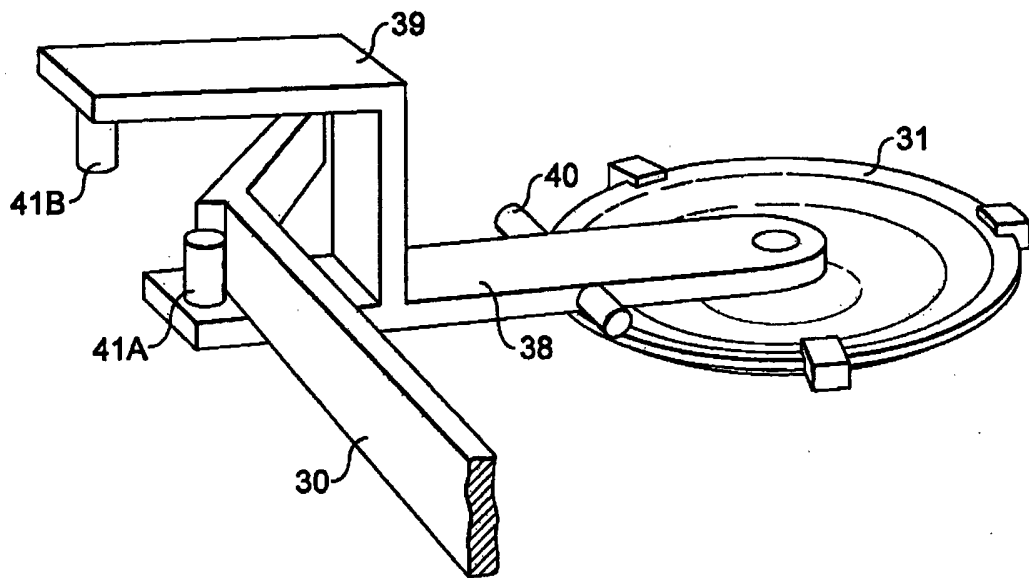


FIG. 5(e)

INTERNATIONAL SEARCH REPORT

Application No

PCT/GB2005/003271

A. CLASSIFICATION OF SUBJECT MATTER  
A47L15/44 D06F39/02

According to International Patent Classification (IPC) or to both national classification and IPC

B. FIELDS SEARCHED

Minimum documentation searched (classification system followed by classification symbols)  
A47L D06F

Documentation searched other than minimum documentation to the extent that such documents are included in the fields searched

Electronic data base consulted during the international search (name of data base and, where practical, search terms used)

EPO-Internal, PAJ

C. DOCUMENTS CONSIDERED TO BE RELEVANT

Category *	Citation of document, with indication, where appropriate, of the relevant passages	Relevant to claim No.
X	EP 0 906 747 A (DIEHL AKO STIFTUNG & CO. KG) 7 April 1999 (1999-04-07)	1-3,5, 11, 13-15, 18,20
Y	paragraph '0012! - paragraph '0024!; figures 1,2	6-10,19
Y	WO 01/07703 A1 (RODD TIMOTHY ET AL) 1 February 2001 (2001-02-01) cited in the application claims 1,6,10	6-10,19
Y	WO 03/073906 A1 (JOWETT LOUISE ET AL) 12 September 2003 (2003-09-12) cited in the application claims 1,6,7,10	6-10,19
	----- -/--	

Further documents are listed in the continuation of box C.

Patent family members are listed in annex.

\* Special categories of cited documents :

- \*A\* document defining the general state of the art which is not considered to be of particular relevance
- \*E\* earlier document but published on or after the international filing date
- \*L\* document which may throw doubts on priority claim(s) or which is cited to establish the publication date of another citation or other special reason (as specified)
- \*O\* document referring to an oral disclosure, use, exhibition or other means
- \*P\* document published prior to the international filing date but later than the priority date claimed

- \*T\* later document published after the international filing date or priority date and not in conflict with the application but cited to understand the principle or theory underlying the invention
- \*X\* document of particular relevance; the claimed invention cannot be considered novel or cannot be considered to involve an inventive step when the document is taken alone
- \*Y\* document of particular relevance; the claimed invention cannot be considered to involve an inventive step when the document is combined with one or more other such documents, such combination being obvious to a person skilled in the art.
- \*&\* document member of the same patent family

Date of the actual completion of the international search

11 November 2005

Date of mailing of the international search report

22/11/2005

Name and mailing address of the ISA

European Patent Office, P.B. 5818 Patentlaan 2  
NL - 2280 HV Rijswijk  
Tel. (+31-70) 340-2040, Tx. 31 651 epo nl.  
Fax: (+31-70) 340-3016

Authorized officer

Lodato, A

C.(Continuation) DOCUMENTS CONSIDERED TO BE RELEVANT

Category °	Citation of document, with indication, where appropriate, of the relevant passages	Relevant to claim No.
Y	WO 03/073907 A2 (JOWETT LOUISE ET AL) 12 September 2003 (2003-09-12) cited in the application claims 1,5,6,10	6-10,19
A	WO 88/06199 A (CURRYS GROUP PLC) 25 August 1988 (1988-08-25) the whole document	1-21



Application No  
PCT/GB2005/003271

Patent document cited in search report	Publication date	Patent family member(s)	Publication date
EP 0906747	A	07-04-1999 DE 19740819 A1	18-03-1999
WO 0107703	A1	01-02-2001 AU 766173 B2 AU 6695700 A CA 2380152 A1 DE 19934593 A1 EP 1206594 A1 JP 2003505168 T PL 353740 A1 US 2002108969 A1 ZA 200201344 A	09-10-2003 13-02-2001 01-02-2001 25-01-2001 22-05-2002 12-02-2003 01-12-2003 15-08-2002 11-03-2003
WO 03073906	A1	12-09-2003 AU 2003215734 A1 CA 2477829 A1 EP 1489957 A1 GB 2386129 A US 2005236420 A1	16-09-2003 12-09-2003 29-12-2004 10-09-2003 27-10-2005
WO 03073907	A2	12-09-2003 AU 2003212513 A1 CA 2478405 A1 EP 1489956 A2 GB 2386130 A US 2005139241 A1	16-09-2003 12-09-2003 29-12-2004 10-09-2003 30-06-2005
WO 8806199	A	25-08-1988 NONE	