



US00D564770S

(12) **United States Design Patent**  
**Alter Molina et al.**

(10) **Patent No.:** **US D564,770 S**

(45) **Date of Patent:** **\*\* Mar. 25, 2008**

(54) **CHAIR**

(75) Inventors: **Lievore Alter Molina**, Barcelona (ES);  
**Rodolfo Dordoni**, Milan (IT); **Claudio Feltrin**, Treviso (IT)

(73) Assignee: **Arper S.p.A.**, Monastier Di Treviso (IT)

(\*\*) Term: **14 Years**

(21) Appl. No.: **29/271,305**

(22) Filed: **Jan. 16, 2007**

**Related U.S. Application Data**

(62) Division of application No. 29/216,745, filed on Nov. 8, 2004, now Pat. No. Des. 550,466.

(30) **Foreign Application Priority Data**

May 14, 2004 (EM) ..... 183918

(51) **LOC (8) Cl.** ..... **06-01**

(52) **U.S. Cl.** ..... **D6/371**

(58) **Field of Classification Search** ..... D6/37,  
D6/334-335, 339, 360, 364-367, 372-373,  
D6/375, 379, 380, 498, 500-502; 297/411.2,  
297/41.23, 411.24, 411.25, 411.27, 411.28,  
297/452.3, 452.11, 452.12, 452.14, 452.29

See application file for complete search history.

(56) **References Cited**

**U.S. PATENT DOCUMENTS**

D213,439 S \* 3/1969 Koch ..... D6/375  
D236,049 S \* 7/1975 Tacke ..... D6/373  
D246,813 S \* 1/1978 Tolleson ..... D6/373  
D285,753 S \* 9/1986 Zola ..... D6/373  
D287,437 S \* 12/1986 Frinier et al. .... D6/373

D339,244 S \* 9/1993 Fahnstrom et al. .... D6/373  
D431,727 S \* 10/2000 Bell ..... D6/373  
D498,070 S \* 11/2004 Sauer ..... D6/373  
D506,324 S \* 6/2005 Milinov et al. .... D6/335

\* cited by examiner

*Primary Examiner*—Robert M. Spear

*Assistant Examiner*—Katrina A Kile

(74) *Attorney, Agent, or Firm*—Scully, Scott, Murphy & Presser, P.C.

(57) **CLAIM**

The ornamental design for a chair, as shown and described.

**DESCRIPTION**

FIG. 1 is a front and side perspective view of a chair, showing our new design;

FIG. 2 is a front view thereof;

FIG. 3 is a rear view thereof;

FIG. 4 is a left side view thereof;

FIG. 5 is a right side view thereof;

FIG. 6 is a top view thereof;

FIG. 7 is a bottom view thereof;

FIG. 8 is a front and side perspective view of a second embodiment of the chair;

FIG. 9 is a front view thereof;

FIG. 10 is a rear view thereof;

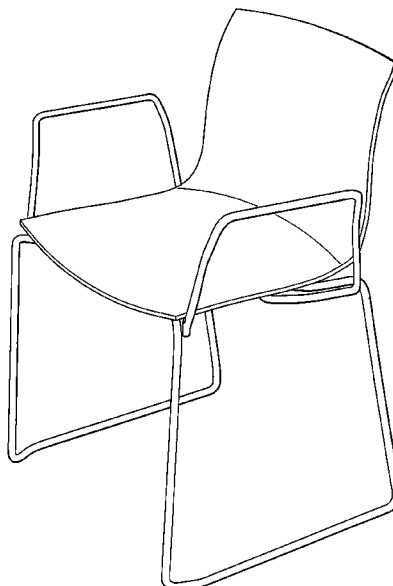
FIG. 11 is a left side view thereof;

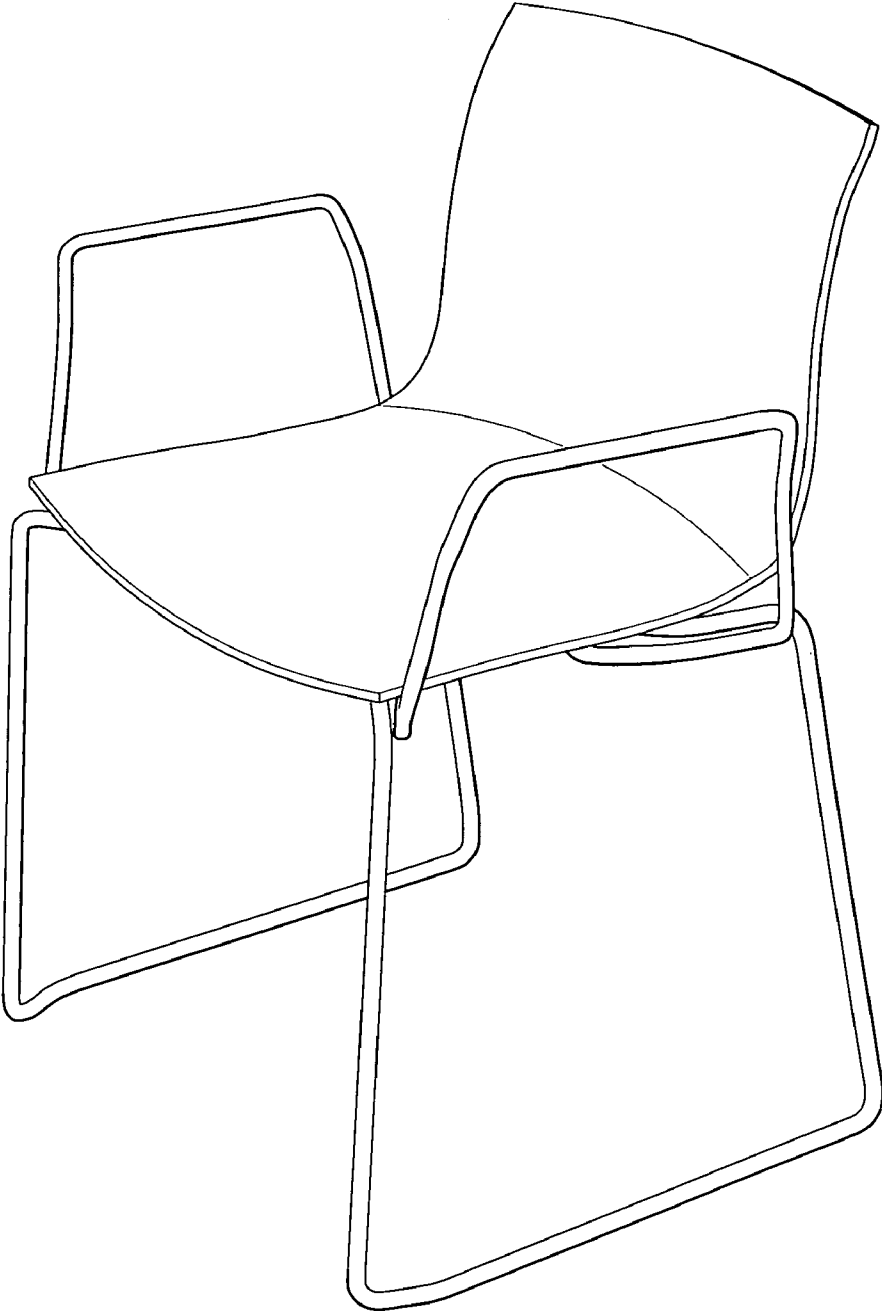
FIG. 12 is a right side view thereof;

FIG. 13 is a top view thereof; and,

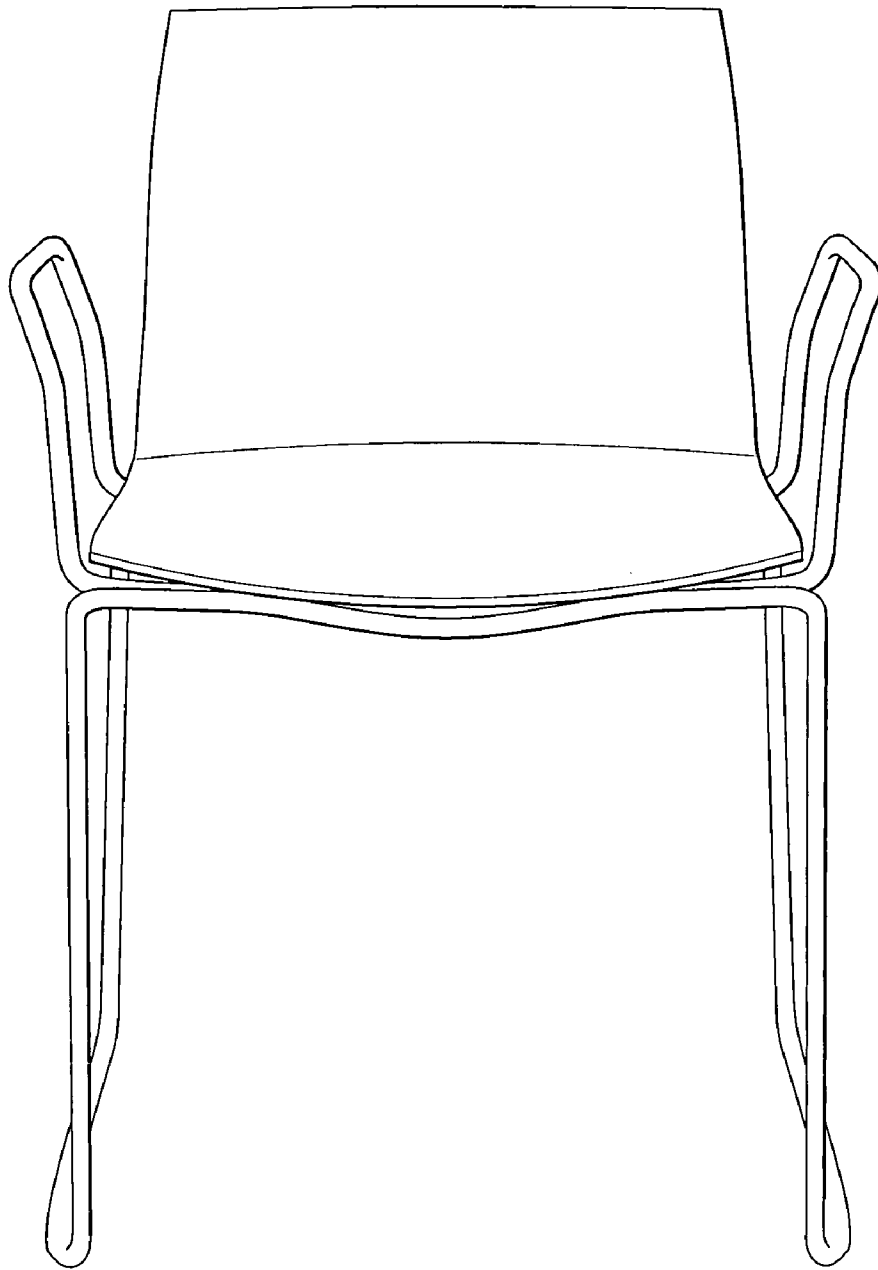
FIG. 14 is a bottom view thereof.

**1 Claim, 14 Drawing Sheets**

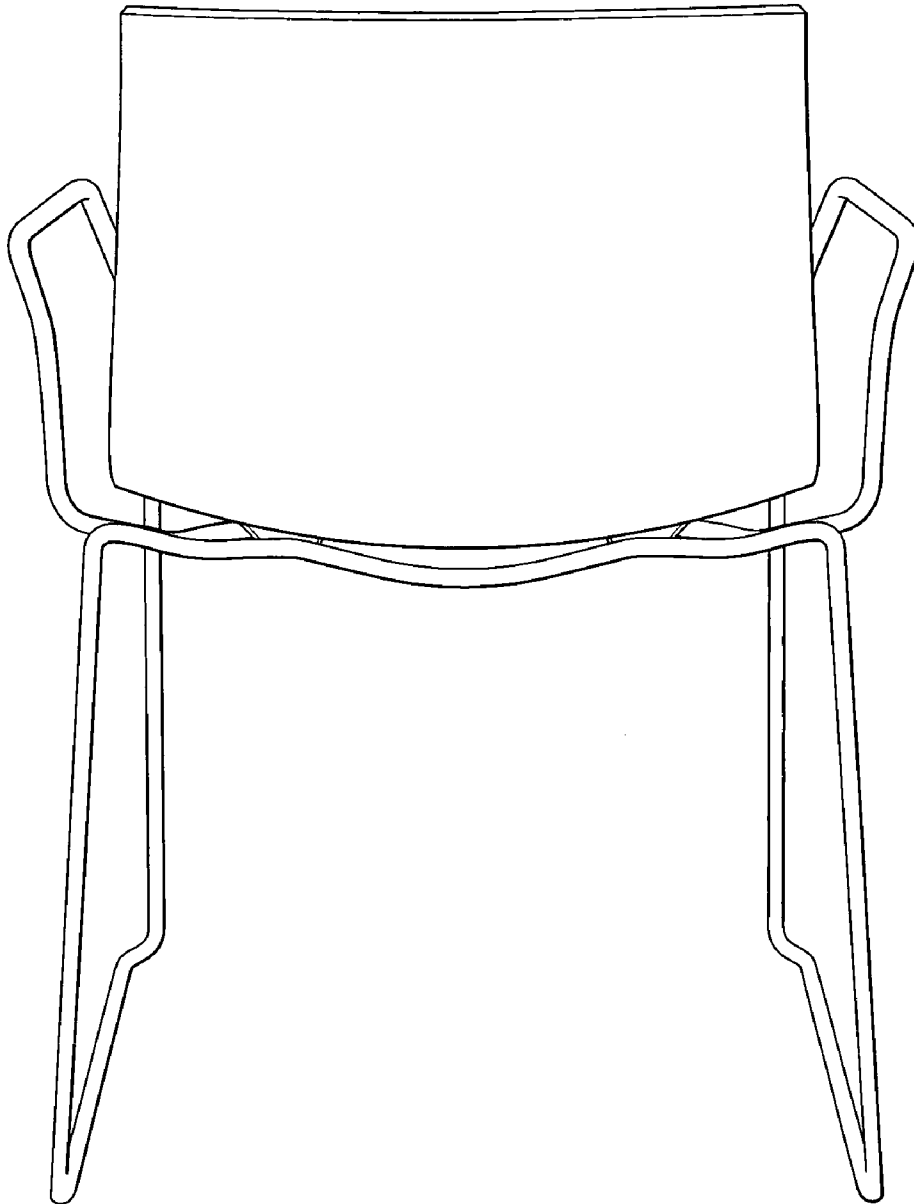




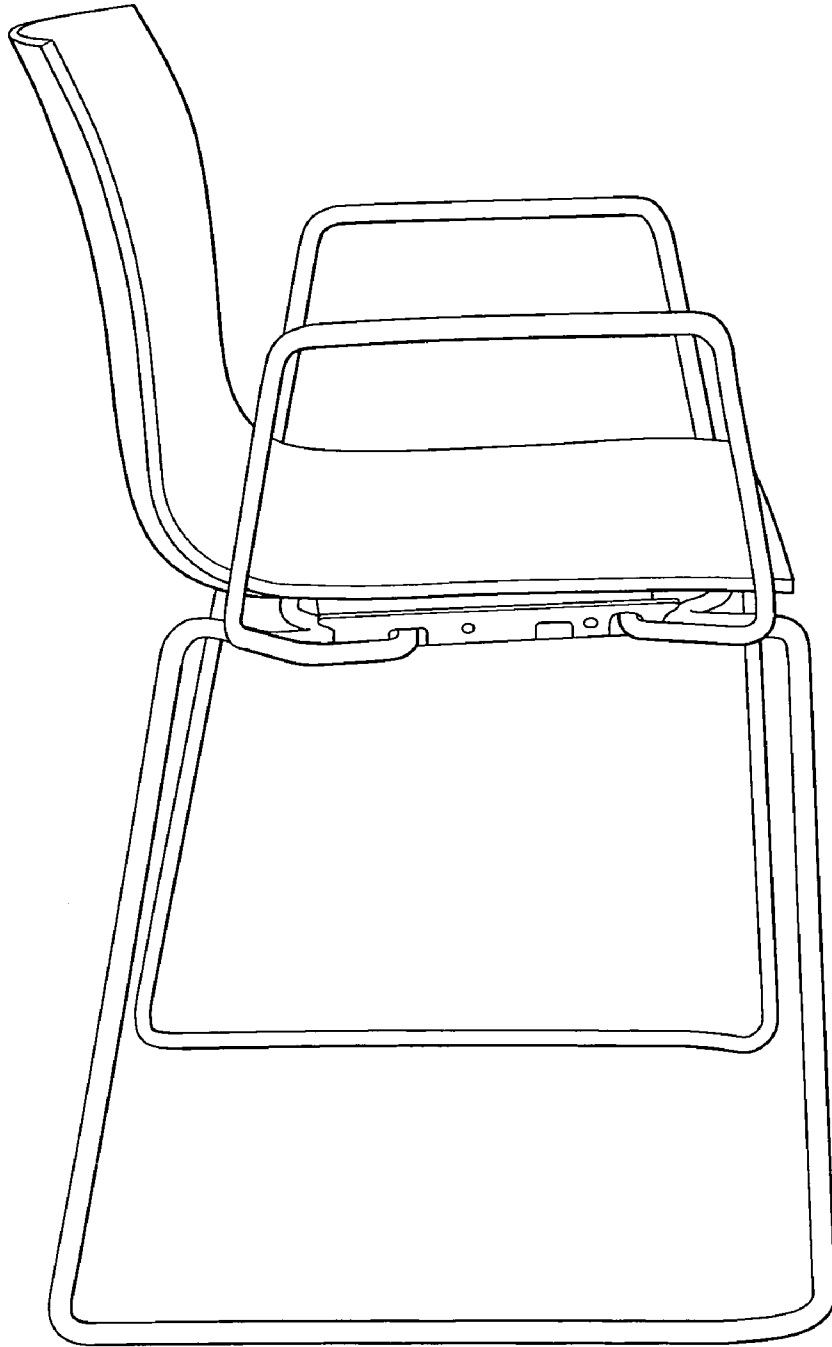
*Fig. 1*



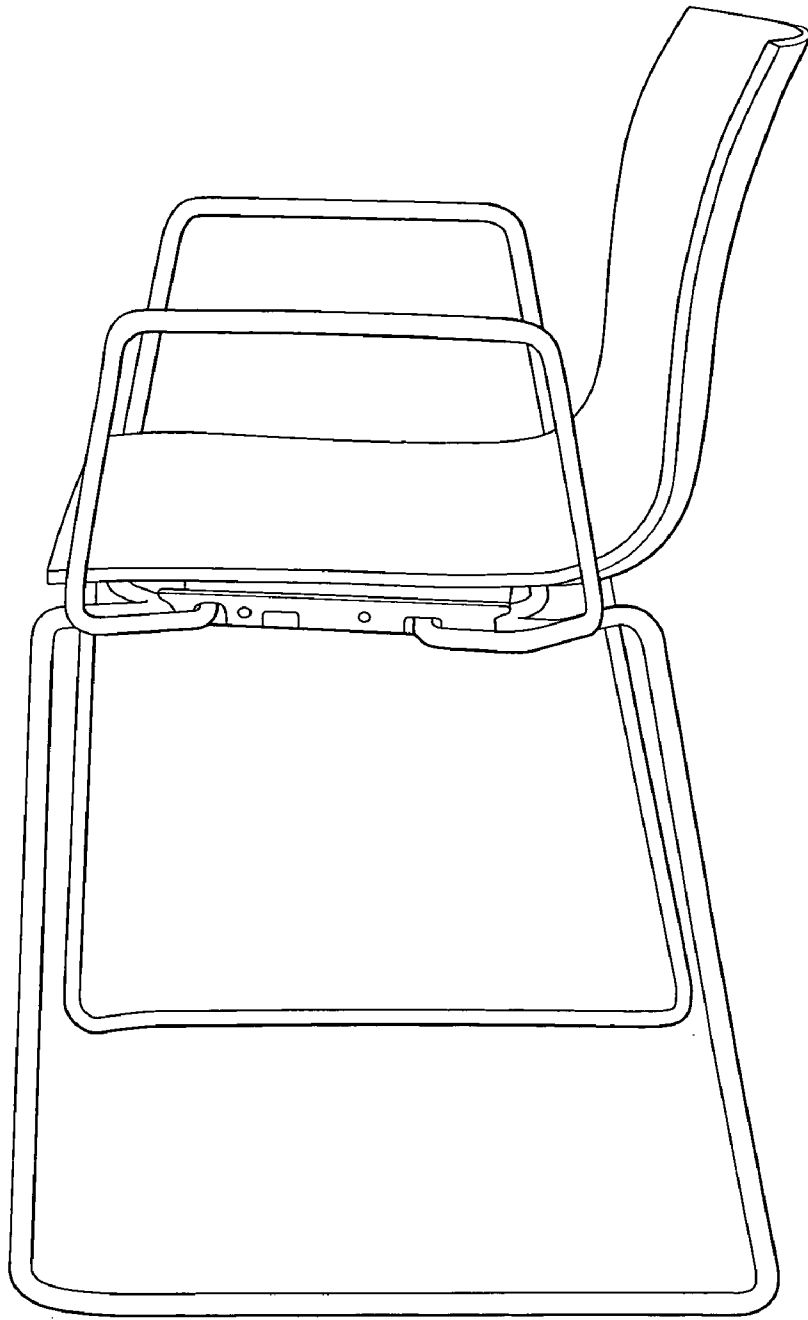
*Fig. 2*



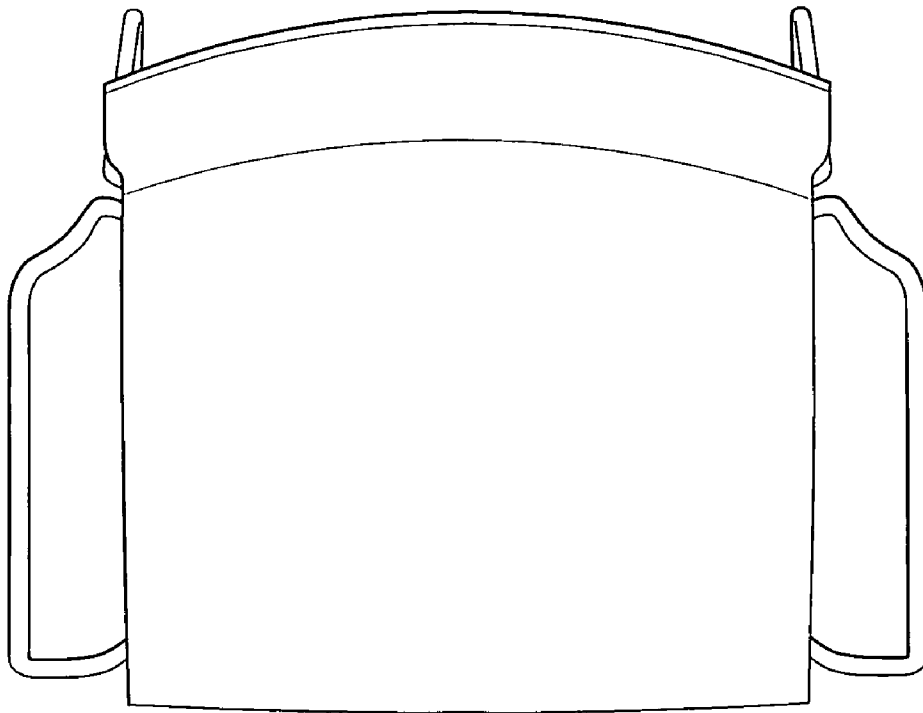
*Fig. 3*



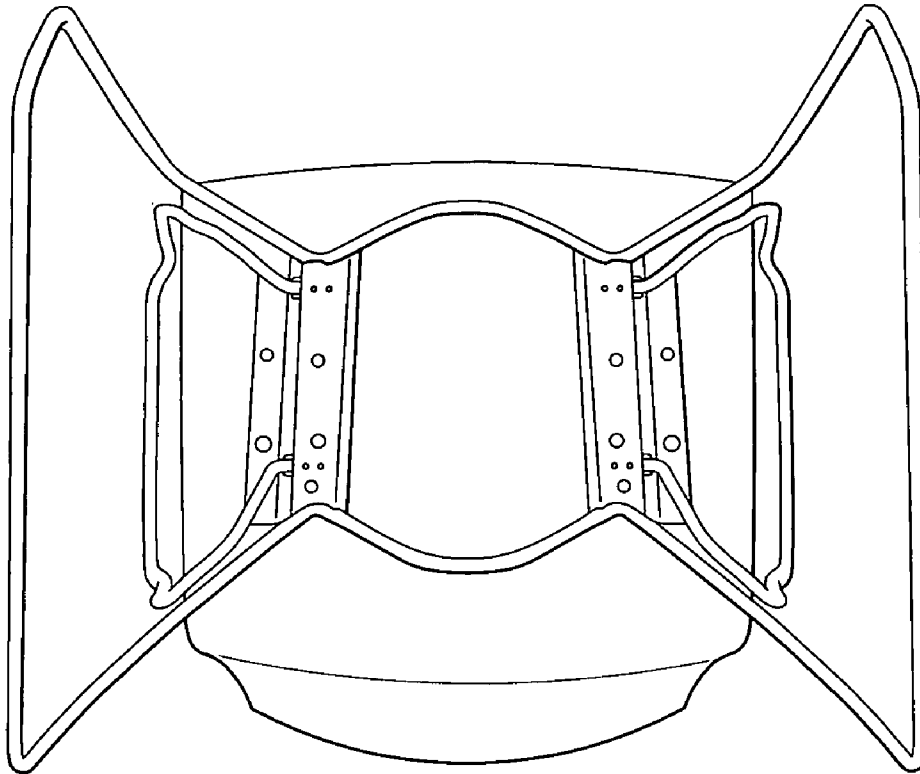
*Fig. 4*



*Fig. 5*



*Fig. 6*

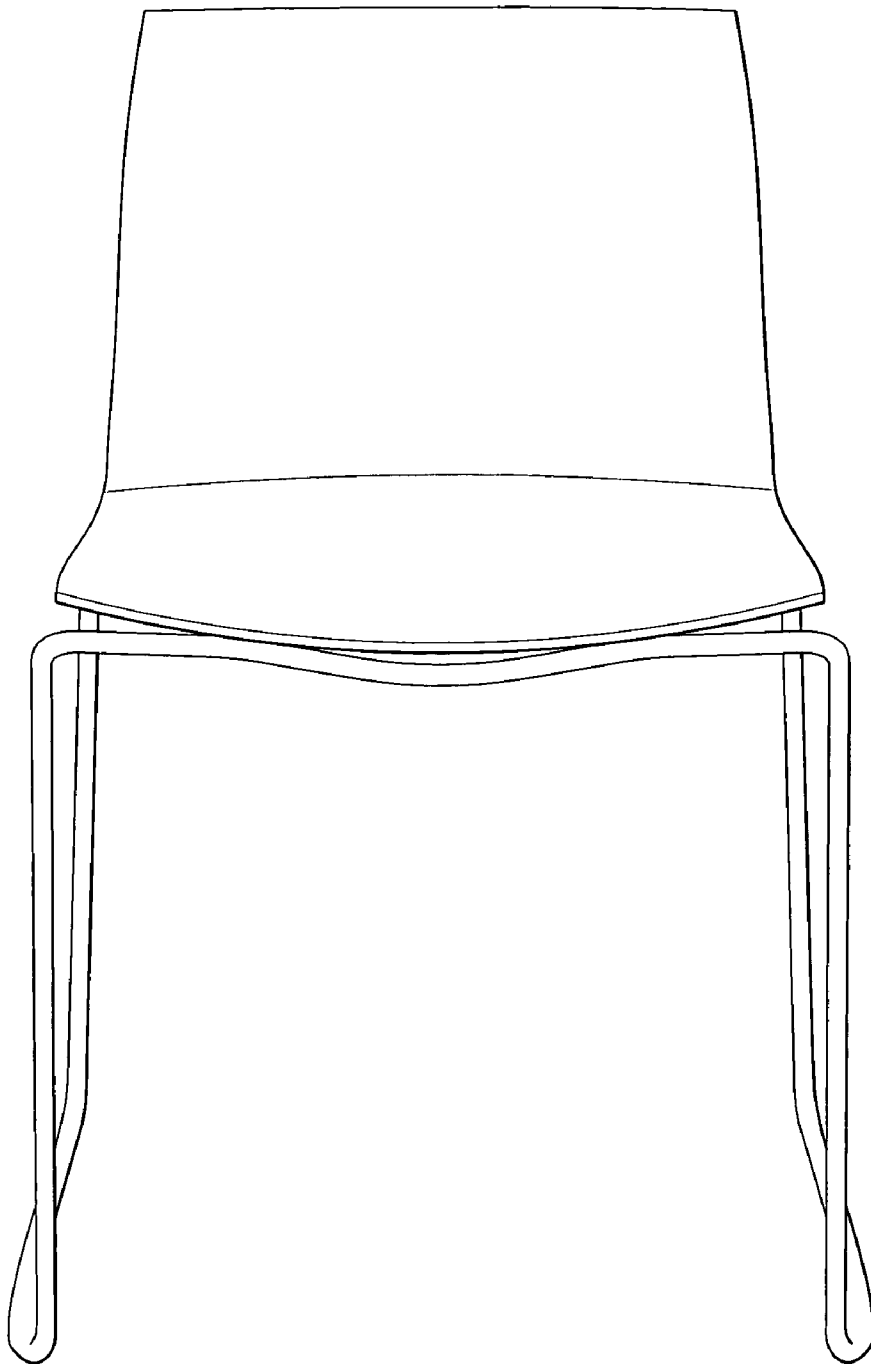


*Fig. 7*

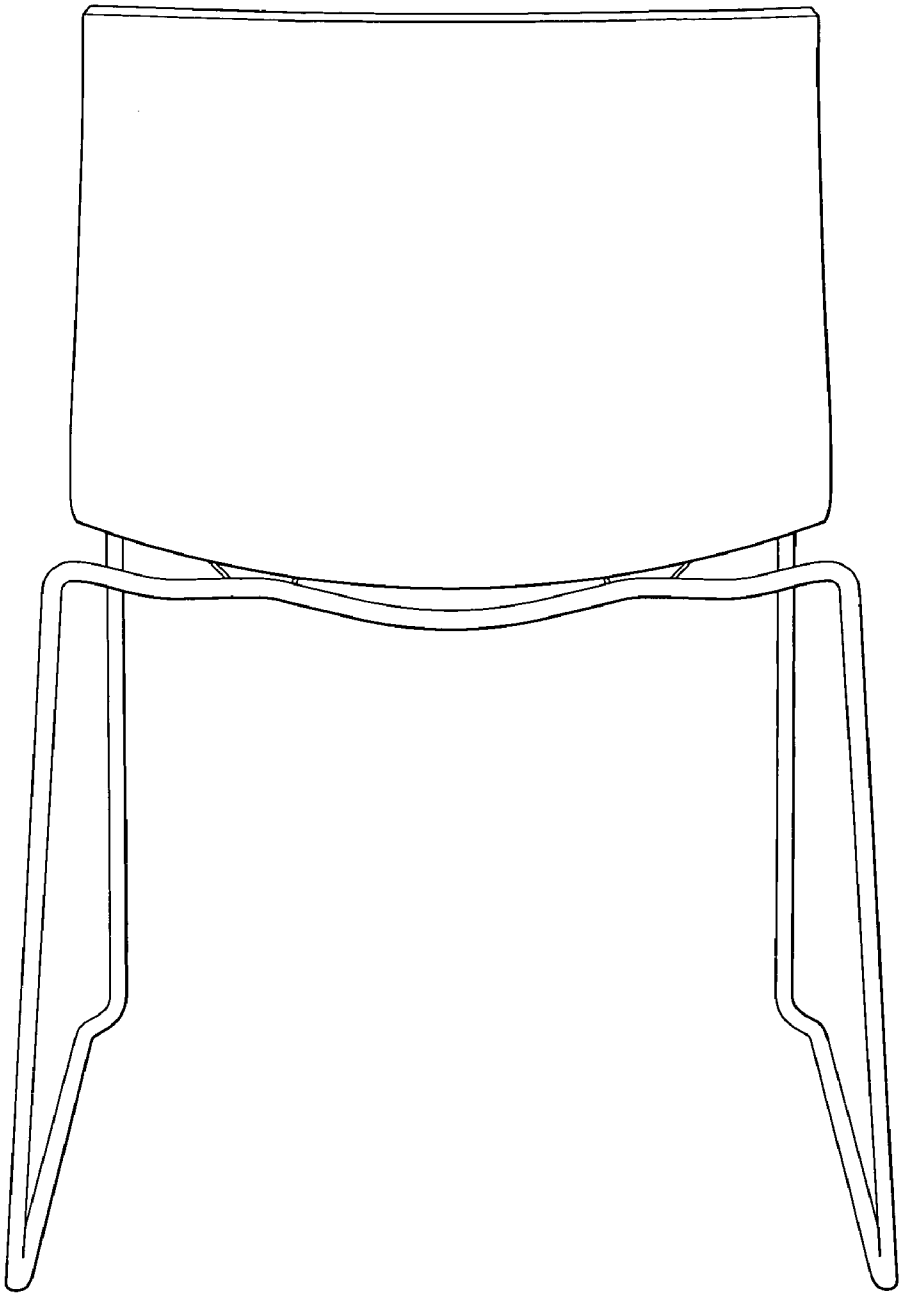




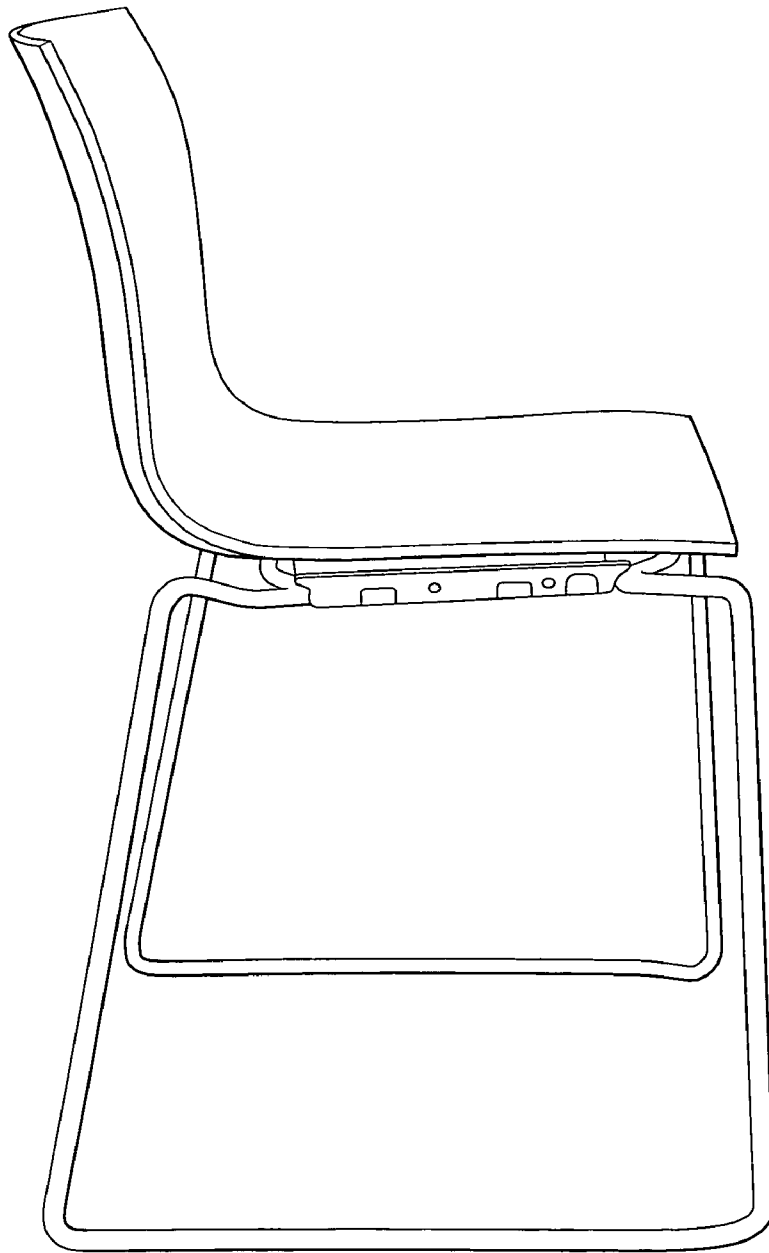
*Fig. 8*



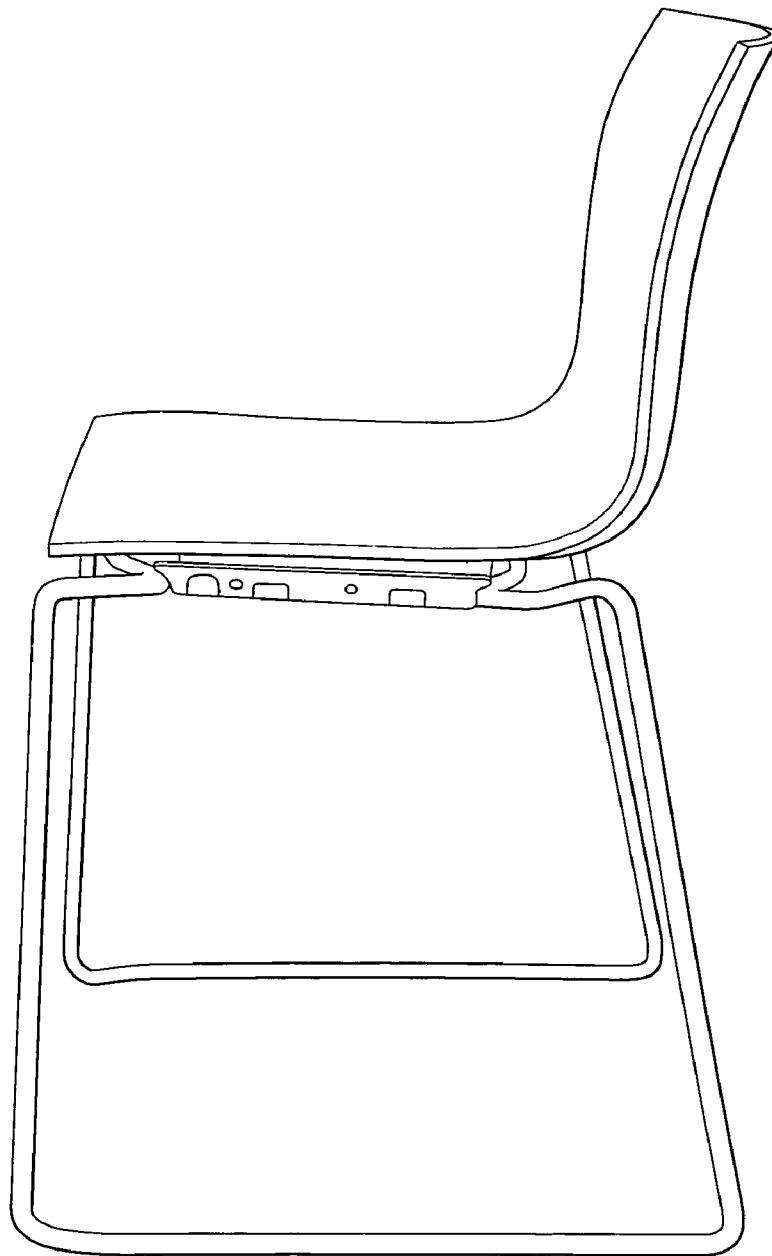
*Fig. 9*



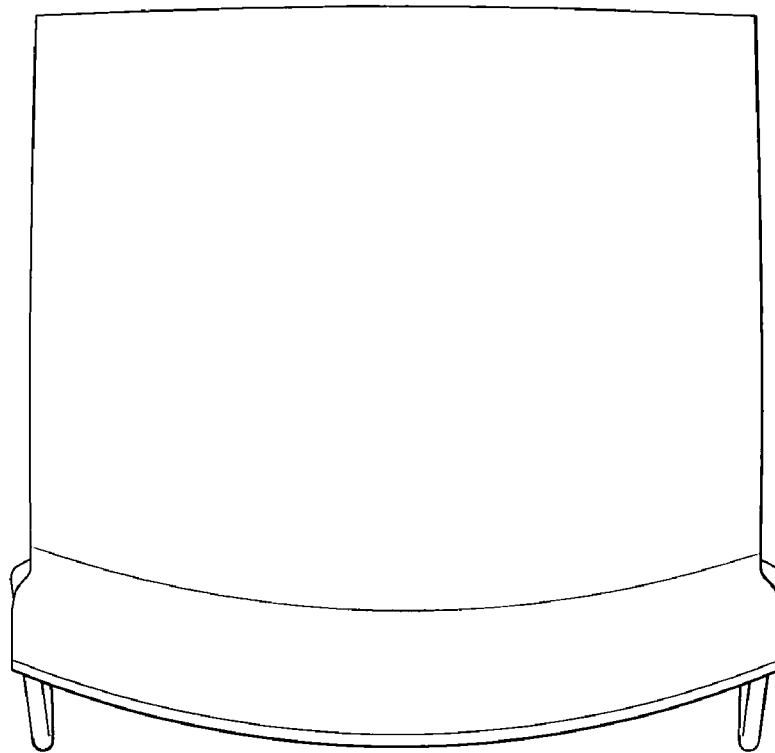
*Fig. 10*



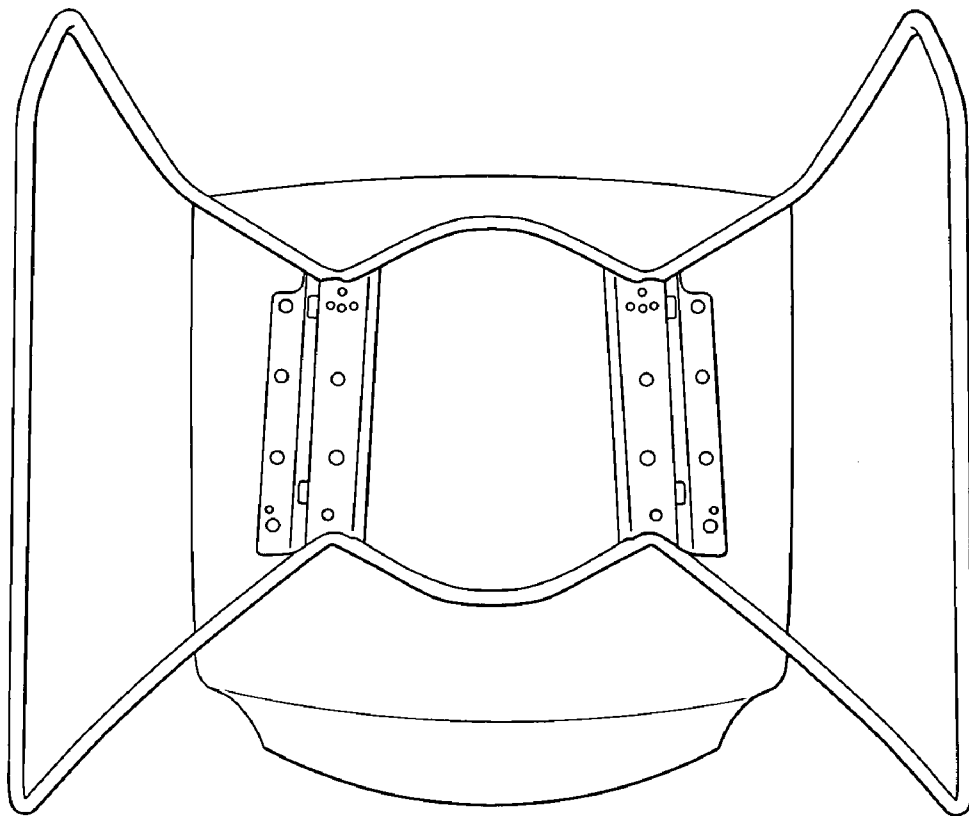
*Fig. 11*



*Fig. 12*



*Fig. 13*



*Fig. 14*