



US00D679714S

(12) **United States Design Patent**
Smith et al.

(10) **Patent No.:** **US D679,714 S**

(45) **Date of Patent:** **** Apr. 9, 2013**

(54) **HANDHELD ELECTRONIC DEVICE SHELL**

(75) Inventors: **Dustin Jonathan Smith**, Waterloo (CA);
Todd Andrew Wood, Toronto (CA);
Anders Fahrendorff, Ottawa (CA)

(73) Assignee: **Research In Motion Limited**, Waterloo,
Ontario (CA)

(**) Term: **14 Years**

(21) Appl. No.: **29/385,036**

(22) Filed: **Feb. 8, 2011**

(51) **LOC (9) Cl.** **14-02**

(52) **U.S. Cl.** **D14/440**

(58) **Field of Classification Search** D14/250,
D14/251, 253, 240, 217, 496, 440, 203.3,
D14/203.4, 203.5, 203.8, 432, 439, 300;
D3/218, 215, 201; 220/4.02; 248/309.1;
361/679.56; 379/426, 433.11, 455; 455/575.1,
455/575.8; 190/100; 206/305, 320

See application file for complete search history.

(56) **References Cited**

U.S. PATENT DOCUMENTS

D469,438 S * 1/2003 Corrales D14/432
7,542,052 B2 * 6/2009 Solomon et al. 345/659
D609,226 S * 2/2010 Hofer et al. D14/248
8,016,107 B2 * 9/2011 Emsky 206/320

D646,266 S * 10/2011 Kim et al. D14/250
D654,069 S * 2/2012 Kwon et al. D14/250
8,132,670 B1 * 3/2012 Chen 206/320
D659,139 S * 5/2012 Gengler D14/392
D662,503 S * 6/2012 Akana et al. D14/439
D665,809 S * 8/2012 Wang et al. D14/439
8,245,843 B1 * 8/2012 Wu 206/320
2010/0289390 A1 * 11/2010 Kenney 312/223.1

* cited by examiner

Primary Examiner — Cynthia Underwood

(57) **CLAIM**

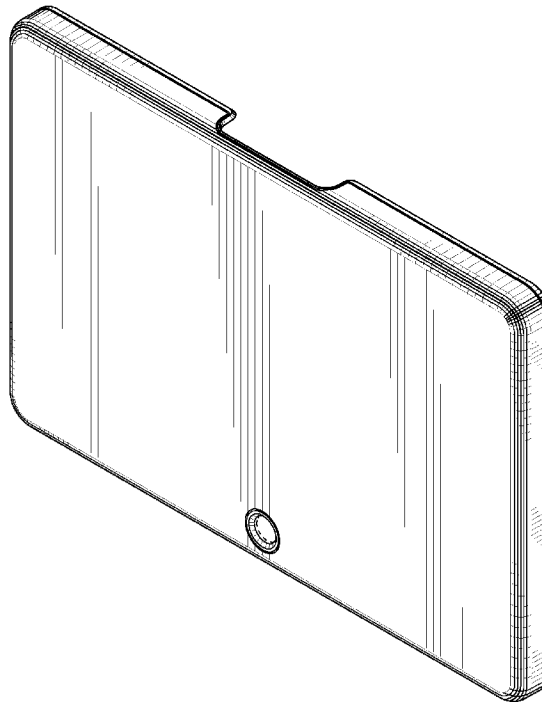
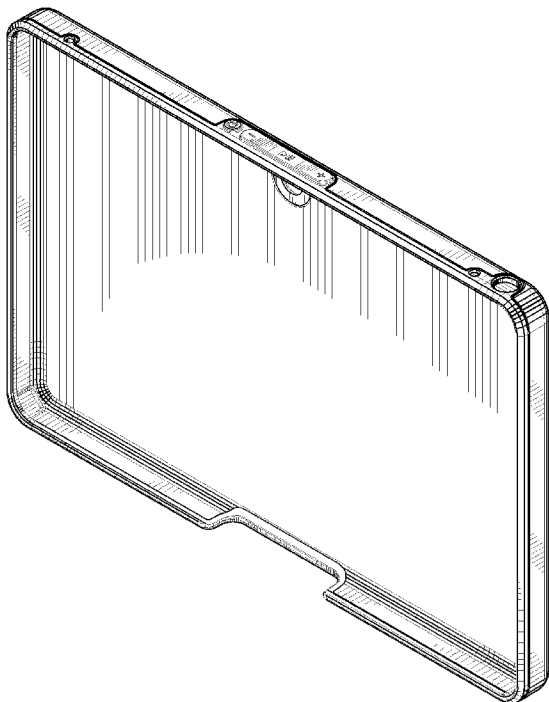
We claim the ornamental design for a handheld electronic device shell, as shown and described.

DESCRIPTION

FIG. 1 is a front perspective view of a handheld electronic device shell;
FIG. 2 is a back bottom perspective view of the handheld electronic device shell;
FIG. 3 is a back elevational view of thereof;
FIG. 4 is a front elevational view thereof;
FIG. 5 is a left elevational view thereof;
FIG. 6 is a right elevational view thereof;
FIG. 7 is a top plan view thereof; and,
FIG. 8 is a bottom plan view thereof.

The broken lines represent portions of the structure that form no part of the claim.

1 Claim, 6 Drawing Sheets



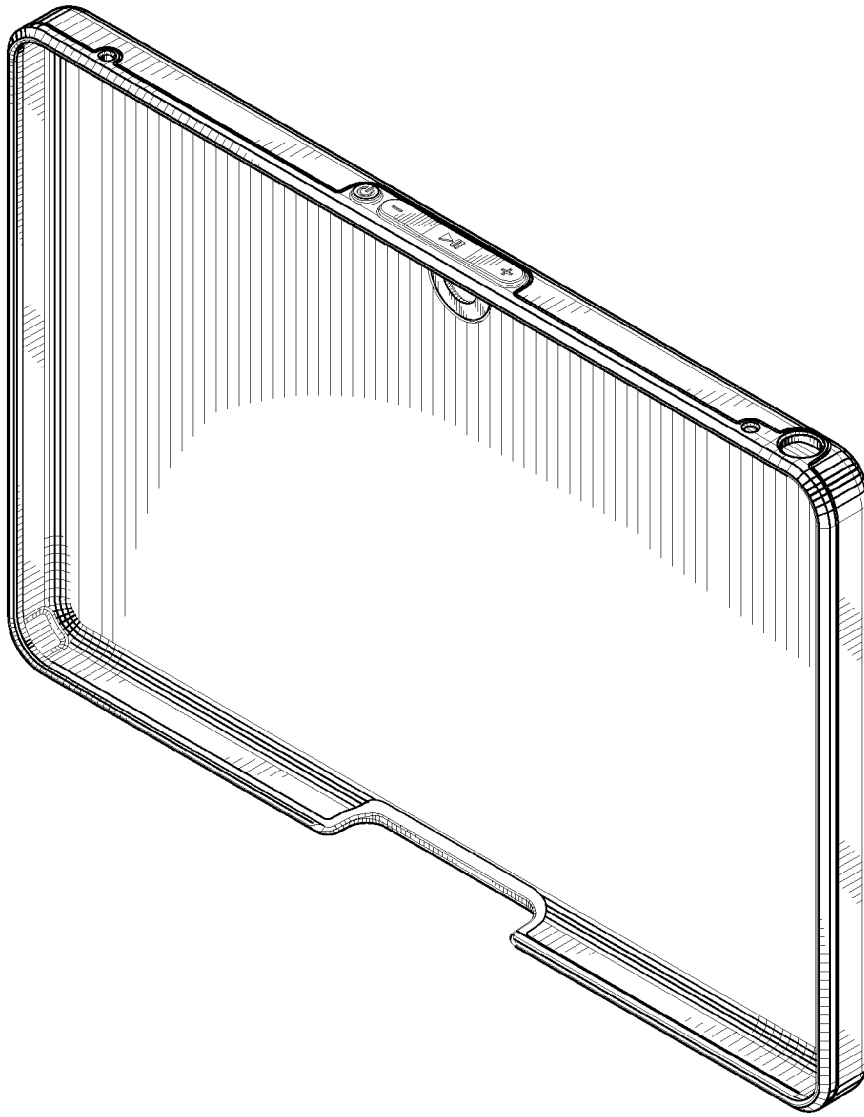


FIG. 1

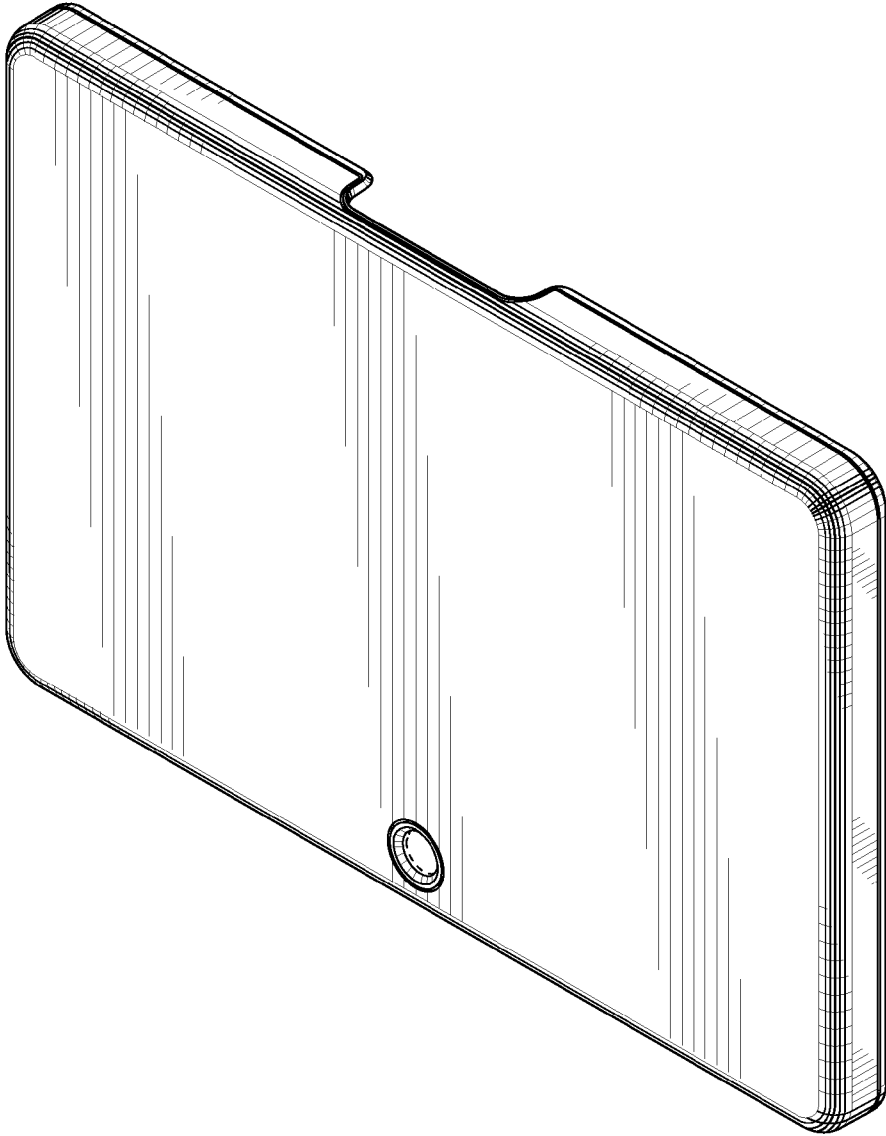


FIG.2

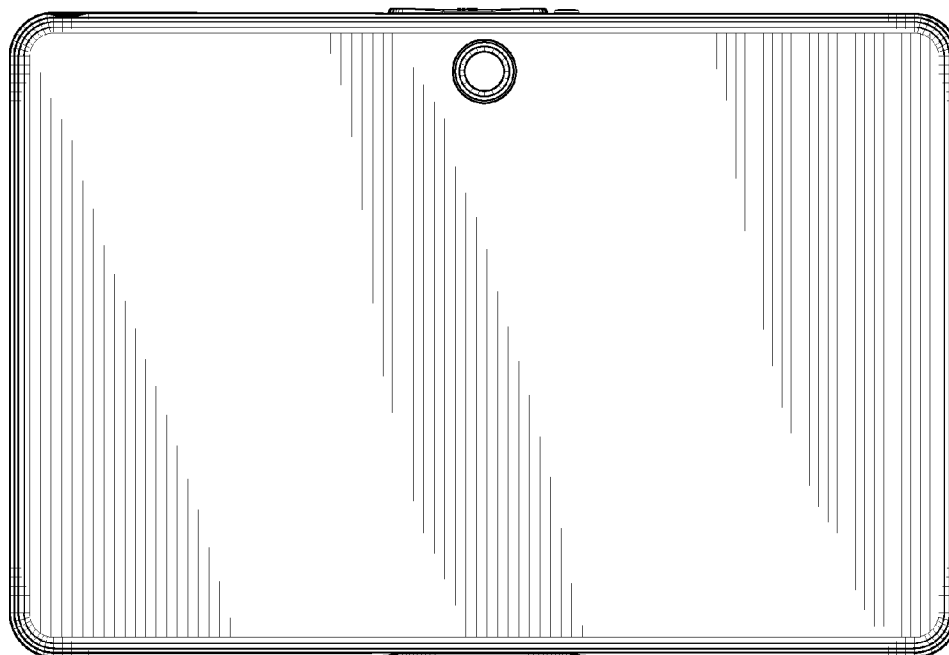


FIG.3

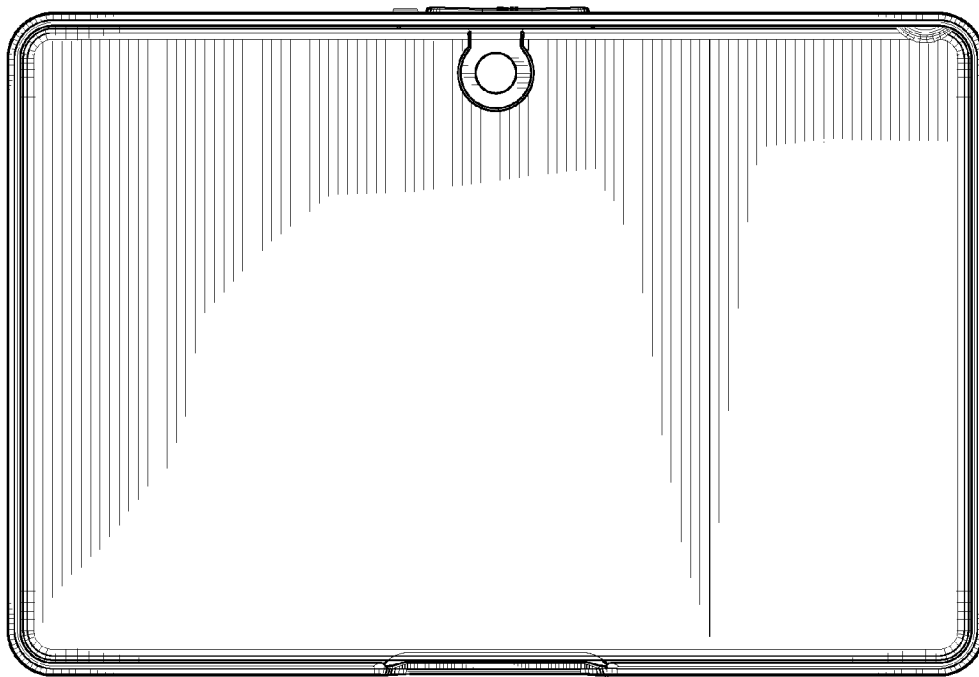


FIG.4



FIG.5

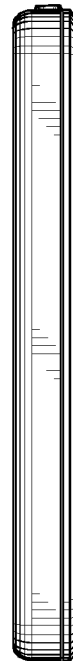


FIG.6

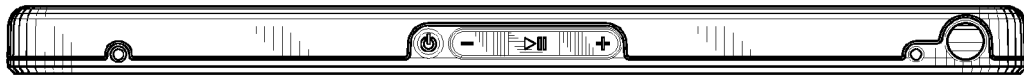


FIG. 7

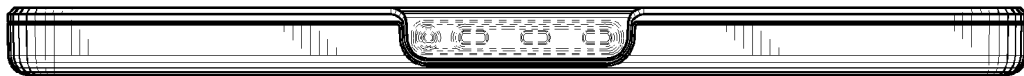


FIG. 8