



US00D745138S

(12) **United States Design Patent**
Toksoz

(10) **Patent No.:** **US D745,138 S**

(45) **Date of Patent:** **** Dec. 8, 2015**

(54) **MEMBER OF AN INHALER DEVICE**

(71) Applicant: **ARVEN ILAC SANAYI VE TICARET ANONIM SIRKETI, Istanbul (TR)**

(72) Inventor: **Zafer Toksoz, Istanbul (TR)**

(73) Assignee: **Arven Ilac Sanayi Ve Ticaret Anonim Sirketi, Istanbul (TR)**

(**) Term: **14 Years**

(21) Appl. No.: **29/461,924**

(22) Filed: **Jul. 29, 2013**

(30) **Foreign Application Priority Data**

Jan. 30, 2013 (TR) 2013 00706

(51) **LOC (10) Cl.** **29-02**

(52) **U.S. Cl.**
USPC **D24/110; D24/127**

(58) **Field of Classification Search**
USPC D24/107, 108, 110, 111, 164;
128/200.14, 200.23, 202.21, 203.15,
128/203.21, 205.24

CPC . A61M 11/00; A61M 15/00; A61M 15/0026;
A61M 15/0021; A61M 15/0091; A61M
15/0065; A61M 15/009; A61M 2202/064;
A61M 15/0045; A61M 15/0043; A61M
15/0051

See application file for complete search history.

(56) **References Cited**

U.S. PATENT DOCUMENTS

8,905,021 B2 * 12/2014 Keegstra et al. 128/203.15
8,910,628 B2 * 12/2014 Keegstra et al. 128/203.15

8,931,479 B2 * 1/2015 Keegstra et al. 128/203.15
2009/0078252 A1 * 3/2009 Anderson et al. 128/202.22
2012/0260917 A1 * 10/2012 Bilgic 128/203.15

FOREIGN PATENT DOCUMENTS

WO WO 2010114504 A1 * 10/2010
WO WO 2010114505 A1 * 10/2010
WO WO 2010114506 A1 * 10/2010
WO WO 2013176635 A1 * 11/2013
WO WO 2013176636 A1 * 11/2013
WO WO 2013176639 A1 * 11/2013
WO WO 2013176640 A1 * 11/2013
WO WO 2013176641 A1 * 11/2013
WO WO 2013176642 A1 * 11/2013
WO WO 2013176643 A1 * 11/2013

* cited by examiner

Primary Examiner — Deanna L. Pratt

Assistant Examiner — Lilyana Bekic

(74) *Attorney, Agent, or Firm* — Kenyon & Kenyon LLP

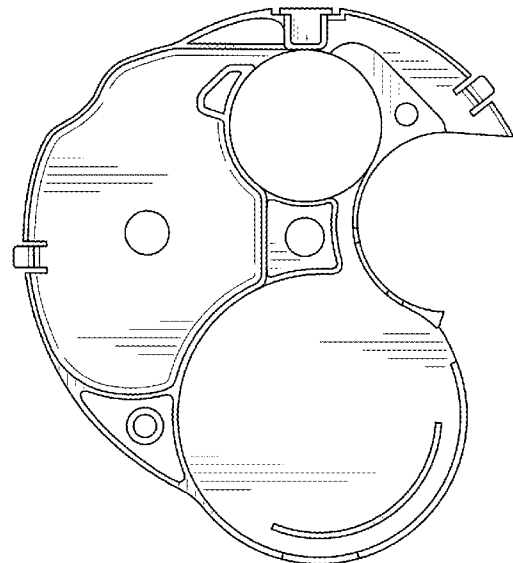
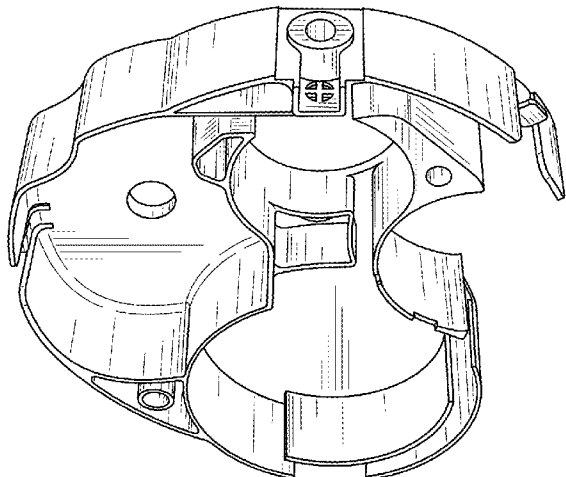
(57) **CLAIM**

The ornamental design for a member of an inhaler device, as shown and described.

DESCRIPTION

FIG. 1 is a top and left side perspective view of a member of an inhaler device showing my new design;
FIG. 2 is a rear elevational view thereof;
FIG. 3 is a front elevational view thereof;
FIG. 4 is a left side elevational view thereof;
FIG. 5 is a right side elevational view thereof;
FIG. 6 is a top plan view thereof;
FIG. 7 is a bottom plan view thereof; and,
FIG. 8 is a bottom, left side and rear perspective view thereof.
The broken lines in the drawings illustrate portions of the member of an inhaler device which form no part of the claimed design.

1 Claim, 4 Drawing Sheets



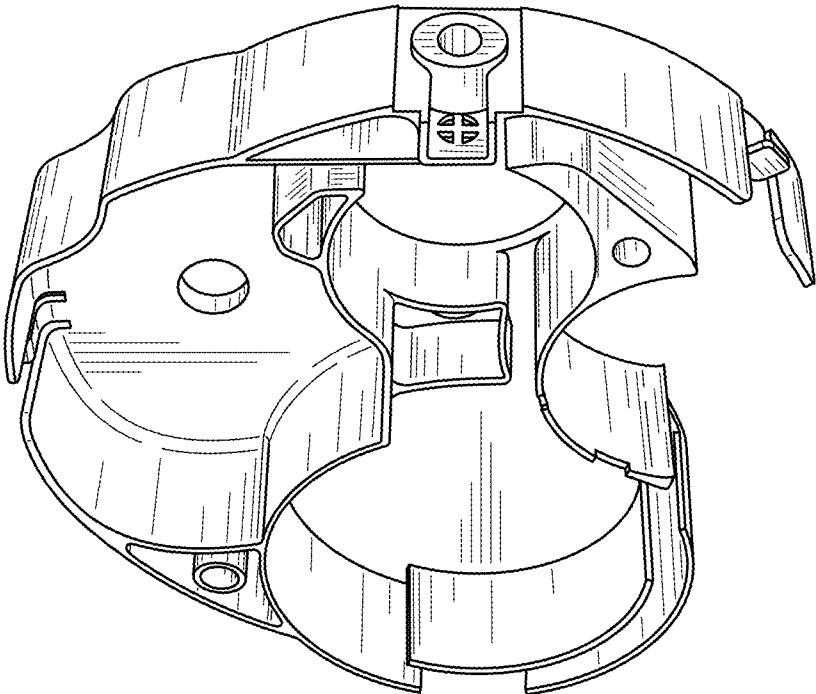


FIG. 1

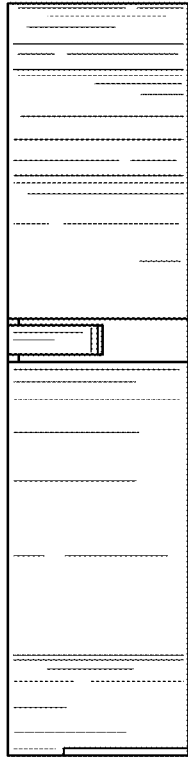


FIG. 2

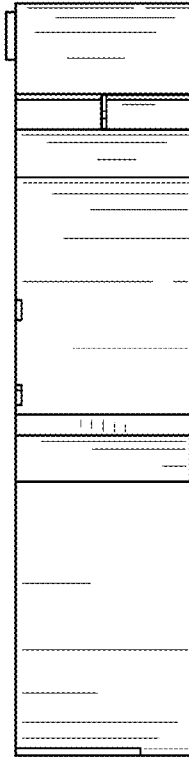


FIG. 3

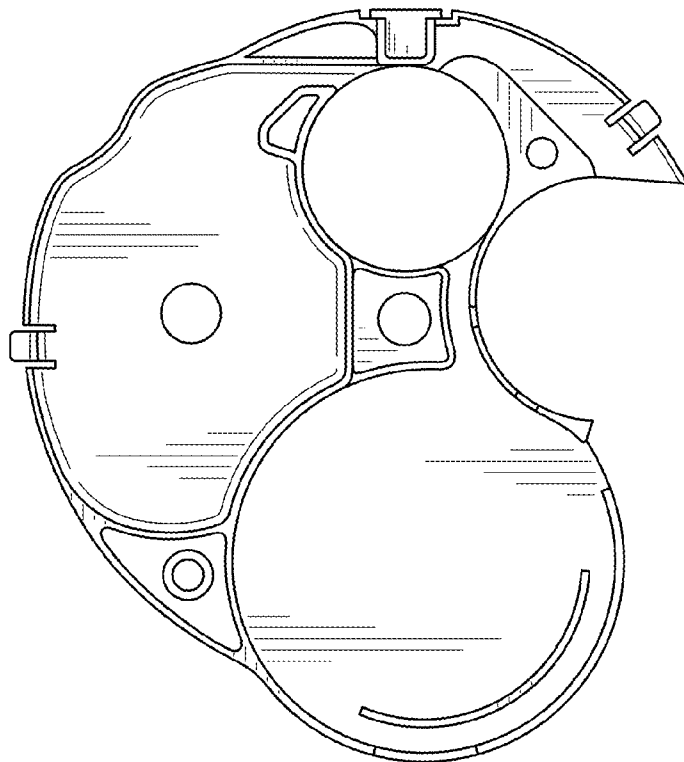


FIG. 4

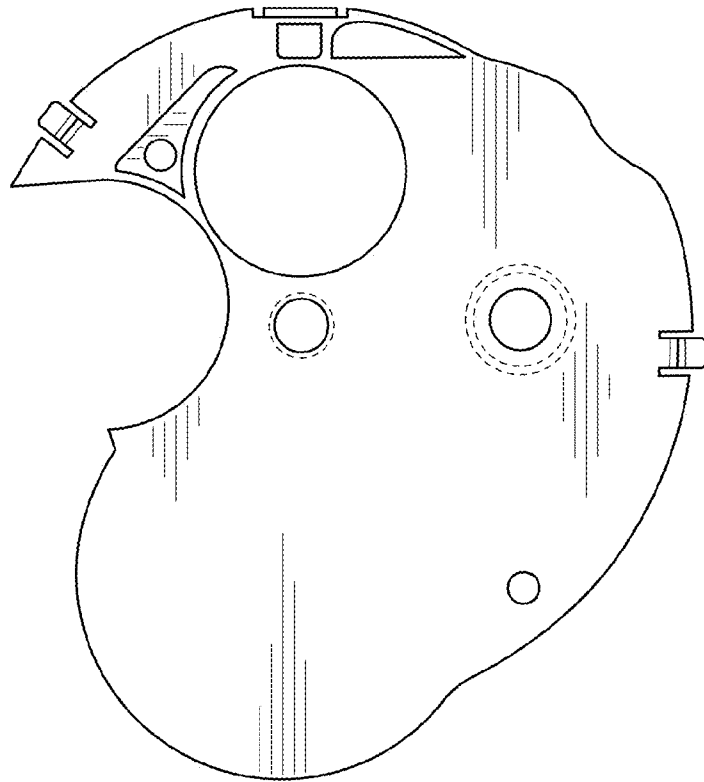


FIG. 5

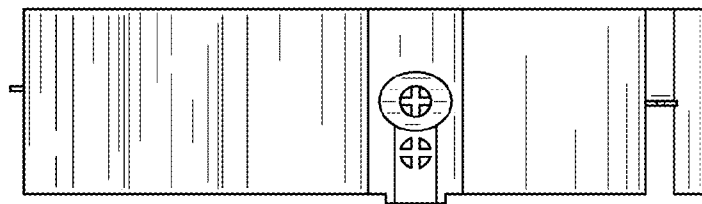


FIG. 6

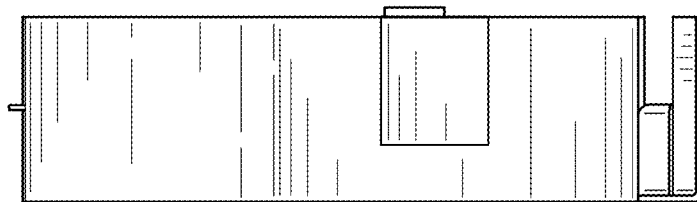


FIG. 7

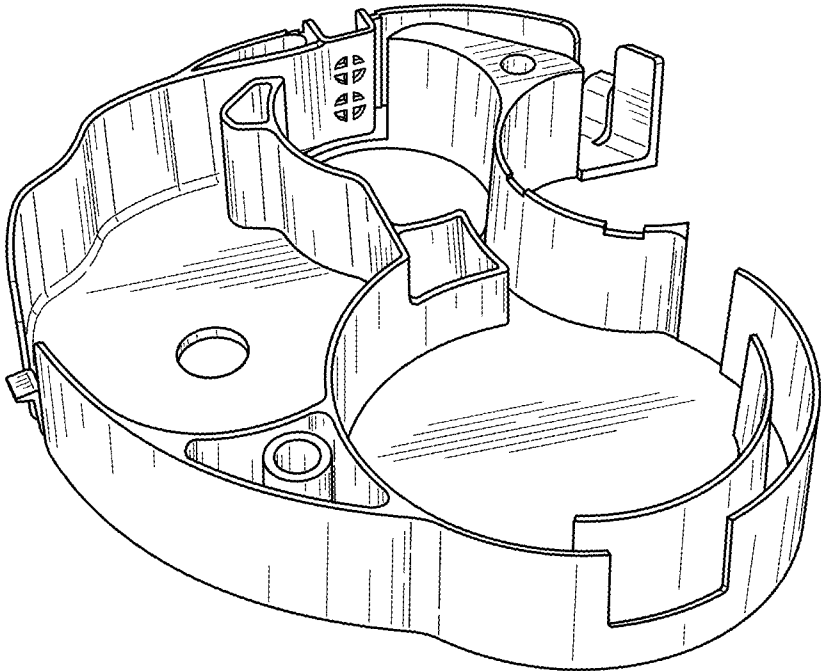


FIG. 8