



(12) **United States Design Patent**  
**Mecker et al.**

(10) **Patent No.:** **US D859,163 S**  
(45) **Date of Patent:** **\*\* Sep. 10, 2019**

(54) **CONTAINER WITH COVER**

OTHER PUBLICATIONS

- (71) Applicant: **S. C. JOHNSON & SON, INC.**,  
Racine, WI (US)
- (72) Inventors: **Alex Mecker**, Chicago, IL (US);  
**Gregory Pieper**, Spring Grove, IL (US);  
**Nick Rees**, New York, NY (US)
- (73) Assignee: **S. C. JOHNSON & SON, INC.**,  
Racine, WI (US)
- (\*\*) Term: **15 Years**

“Heart Shaped Glass Craft Bottle.” theworks.co.uk. Reviewed Jul. 22, 2017. Accessed Nov. 25, 2018. Available online at URL: <<https://www.theworks.co.uk/p/weddings/heart-shaped-glass-craft-bottle/5052089205826>> (Year: 2017).\*

(Continued)

*Primary Examiner* — Cathron C Brooks  
*Assistant Examiner* — Christian P. McLean  
(74) *Attorney, Agent, or Firm* — Quarles & Brady LLP

- (21) Appl. No.: **29/623,203**
- (22) Filed: **Oct. 23, 2017**
- (51) **LOC (12) Cl.** ..... **09-01**
- (52) **U.S. Cl.**  
USPC ..... **D9/574; D9/563**
- (58) **Field of Classification Search**  
USPC ..... D7/300–322, 391–396.2, 509–511, 523,  
D7/589, 598, 612, 615, 619.1; D9/435,  
D9/436, 439, 440, 443, 447, 454, 500,  
D9/503–505, 516–575, 763–783;  
215/40–55, 316–354, 370–385;  
220/574–575; D4/116; D6/515–519,  
D6/542–545; D28/7, 57, 73, 76–91.1  
CPC ..... B65D 1/00; B65D 1/02; B65D 1/0223;  
B65D 1/023; B65D 1/0276  
See application file for complete search history.

(57) **CLAIM**

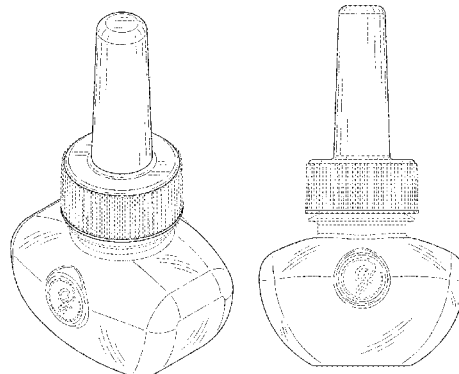
The ornamental design for a container with cover, as shown and described.

**DESCRIPTION**

FIG. 1 is an isometric view of a top, front, and right side of an ornamental design for a container with cover;  
FIG. 2 is a front elevational view of the container with cover of FIG. 1;  
FIG. 3 is a rear elevational view of the container with cover of FIG. 1;  
FIG. 4 is a right side elevational view of the container with cover of FIG. 1;  
FIG. 5 is a left side elevational view of the container with cover of FIG. 1;  
FIG. 6 is a top plan view of the container with cover of FIG. 1; and,  
FIG. 7 is an isometric view of a top, front, and right side of another embodiment of a container with cover, showing the same design as FIGS. 1-6 but without the oblique surface shading.  
The dash-dot-dash broken lines illustrate the boundary of the design and form no part of the claim. The remaining broken lines illustrate portions of the container with cover that form no part of the claimed design.

- (56) **References Cited**  
**U.S. PATENT DOCUMENTS**  
4,621,768 A 11/1986 Lhoste et al.  
4,731,520 A 3/1988 Glucksman et al.  
D386,974 S \* 12/1997 Wefler ..... D9/544  
(Continued)  
**FOREIGN PATENT DOCUMENTS**  
EM 000007471-0001 4/2003  
EM 000076955-0012 9/2003  
(Continued)

**1 Claim, 5 Drawing Sheets**



(56)

## References Cited

## U.S. PATENT DOCUMENTS

6,104,867	A	8/2000	Stathakis et al.		D580,274	S	11/2008	Abel	
D430,658	S	9/2000	Farce		D580,776	S	11/2008	Cloughton et al.	
D432,222	S	10/2000	Rymer et al.		7,455,245	B2	11/2008	Sipinski et al.	
D437,744	S	2/2001	Young et al.		D582,278	S	12/2008	Bourne	
6,236,807	B1	5/2001	Ruffolo et al.		D582,537	S	12/2008	Kay et al.	
6,278,840	B1	8/2001	Basaganas Millan		D583,038	S	12/2008	Kay et al.	
6,446,583	B2	9/2002	Vieira		D583,457	S	12/2008	Kay et al.	
D464,416	S	10/2002	von Dohlen et al.		D584,809	S	1/2009	Porchia et al.	
6,466,739	B2	10/2002	Ambrosi et al.		7,484,675	B2	2/2009	Brown	
6,487,367	B2	11/2002	Vieira		D587,576	S	3/2009	Miller et al.	
D468,626	S *	1/2003	Jodal	D9/516	D596,939	S	7/2009	Moretti	
6,563,091	B2	5/2003	Vieira		D597,192	S	7/2009	Drucker et al.	
D476,069	S	6/2003	OLoughlin		D599,665	S	9/2009	Campbell	
6,603,924	B2	8/2003	Brown et al.		D603,708	S	11/2009	Handy	
D480,316	S *	10/2003	Wolpert	D9/516	D604,619	S *	11/2009	Tebe Poves	D9/522
6,661,967	B2	12/2003	Levine et al.		D604,629	S *	11/2009	Aebi	D9/454
D491,256	S	6/2004	Fellows et al.		D605,746	S	12/2009	Butler et al.	
D492,597	S	7/2004	Norris et al.		D605,747	S	12/2009	Butler et al.	
D501,546	S	2/2005	Cruver, IV et al.		7,628,338	B2	12/2009	Belongia et al.	
D501,921	S	2/2005	Caserta et al.		7,631,814	B2	12/2009	Zarembinski	
D504,317	S *	4/2005	Mansau	D9/520	D607,315	S	1/2010	George et al.	
6,889,003	B2	5/2005	Triplett et al.		D608,198	S	1/2010	Lohrman et al.	
D507,487	S	7/2005	Marroncles		D608,640	S	1/2010	Carreno	
D507,636	S	7/2005	Baraky et al.		D610,249	S	2/2010	Robinson	
6,917,754	B2	7/2005	Pedrotti et al.		D611,348	S	3/2010	Handy	
6,931,202	B2	8/2005	Pedrotti et al.		D613,844	S	4/2010	Jorgensen	
6,950,607	B2	9/2005	Yip et al.		D614,755	S	4/2010	Brewster	
D511,967	S	11/2005	Bodet		7,780,094	B2	8/2010	Caserta et al.	
D512,136	S	11/2005	Wefler		D623,284	S	9/2010	Myojin et al.	
D512,938	S	12/2005	Morris et al.		D624,170	S	9/2010	Myojin et al.	
6,988,496	B1	1/2006	Eicher et al.		D624,352	S	9/2010	Lion et al.	
D515,921	S	2/2006	Marroncles		7,802,568	B2	9/2010	Eicher et al.	
7,002,114	B2	2/2006	He et al.		D624,783	S	10/2010	Lion et al.	
7,014,818	B2	3/2006	Rymer		D632,377	S	2/2011	Blachford et al.	
7,032,831	B2 *	4/2006	Duston	A61L 9/122 220/694	D632,771	S	2/2011	Abbondanzio et al.	
D523,129	S	6/2006	Caserta et al.		D632,772	S	2/2011	Abbondanzio et al.	
D530,216	S *	10/2006	Modjeski	D9/566	D633,190	S	2/2011	Abbondanzio et al.	
D532,302	S	11/2006	Moretti		D633,229	S	2/2011	McWillis	
7,140,553	B2	11/2006	Zobebe		D634,416	S	3/2011	Abbondanzio et al.	
D536,969	S	2/2007	Geier		D634,832	S	3/2011	Abbondanzio et al.	
D538,915	S	3/2007	Anderson et al.		D636,476	S	4/2011	Abbondanzio et al.	
D539,892	S	4/2007	Caserta et al.		D636,860	S	4/2011	Abbondanzio et al.	
D541,160	S *	4/2007	Cortes	D9/520	D637,274	S	5/2011	Chan et al.	
D543,326	S	5/2007	Dretzka		D639,923	S	6/2011	Belongia et al.	
D544,085	S	6/2007	Schriner et al.		D643,102	S	8/2011	Abbondanzio et al.	
D544,087	S	6/2007	Baraky et al.		D644,313	S	8/2011	Westphal	
D544,592	S	6/2007	Caserta et al.		D644,926	S	9/2011	Davis et al.	
D544,593	S	6/2007	Yamamoto		D645,947	S	9/2011	Sevy	
D545,626	S	7/2007	Frank		D646,573	S *	10/2011	Kubicek	D9/522
7,244,398	B2	7/2007	Kotary et al.		D646,768	S	10/2011	Chan et al.	
D548,317	S	8/2007	Newton et al.		D647,187	S	10/2011	Chan et al.	
D548,318	S	8/2007	Copeman		D647,608	S	10/2011	Young et al.	
D548,587	S	8/2007	DuVal et al.		D651,088	S *	12/2011	Buschmann	D9/522
D549,596	S	8/2007	Ioannides et al.		D654,761	S	2/2012	Herbst	
D551,076	S	9/2007	Bloc		8,141,793	B2	3/2012	Wallis et al.	
7,311,883	B2	12/2007	Basaganas Millan		D656,830	S *	4/2012	Rodriguez	D9/520
D559,434	S	1/2008	Morris et al.		D657,448	S	4/2012	Herfort	
D560,018	S	1/2008	Morris et al.		D657,860	S	4/2012	Sordo et al.	
D561,021	S	2/2008	DuVal et al.		D658,072	S	4/2012	Davis et al.	
D564,876	S	3/2008	Nickel et al.		D658,315	S	4/2012	Walters	
7,341,698	B2	3/2008	Pedrotti et al.		D658,915	S	5/2012	Fernandes et al.	
D567,920	S	4/2008	Cantoni et al.		D659,267	S	5/2012	Slatkin et al.	
D567,921	S	4/2008	Bellofatto et al.		D659,817	S	5/2012	Mandell et al.	
D568,978	S	5/2008	Kennedy et al.		D659,818	S	5/2012	Belongia et al.	
D569,247	S	5/2008	Decottignies		D660,996	S	5/2012	Rein	
7,382,975	B2	6/2008	Caserta et al.		D662,237	S	6/2012	Baraky et al.	
D574,072	S	7/2008	Carlson et al.		D663,018	S	7/2012	Sordo et al.	
D574,199	S	8/2008	Griffith et al.		8,251,299	B1	8/2012	Irvin	
D575,153	S	8/2008	Caroen et al.		D666,706	S	9/2012	Sevy	
D576,874	S	9/2008	Miller et al.		D667,574	S	9/2012	Abbondanzio et al.	
D579,340	S *	10/2008	Dickman	D9/558	D672,481	S	12/2012	Arslanian	
D580,272	S *	11/2008	Weggelaar	D9/542	D672,861	S	12/2012	Adair et al.	
					D675,308	S	1/2013	Freeborn et al.	
					D675,309	S	1/2013	Freeborn et al.	
					8,348,101	B2	1/2013	Ciavarella et al.	
					D679,793	S	4/2013	Feiz et al.	
					D680,377	S	4/2013	Romley	
					D680,637	S	4/2013	Blachford et al.	
					D681,182	S	4/2013	Tomas Vilarasa et al.	

US D859,163 S

(56)

References Cited

U.S. PATENT DOCUMENTS

D681,183 S 4/2013 Blachford et al.  
 D682,448 S 5/2013 Nugent  
 RE44,312 E 6/2013 Vieira  
 D686,718 S 7/2013 Gordon et al.  
 D686,721 S 7/2013 Wirz  
 8,485,454 B1 7/2013 Irvin et al.  
 D689,364 S 9/2013 Sanders  
 D689,664 S 9/2013 Dietvorst et al.  
 D689,998 S 9/2013 Carbone et al.  
 D691,255 S 10/2013 Abbondanzio et al.  
 D692,116 S 10/2013 Gordon  
 D699,075 S 2/2014 Mariotti  
 D700,694 S 3/2014 Sordo et al.  
 D701,120 S 3/2014 Sanders  
 8,703,067 B2 4/2014 Woolley  
 D707,373 S 6/2014 Nugent  
 D707,805 S 6/2014 Brewer et al.  
 8,746,587 B2 6/2014 Soldan et al.  
 D709,761 S 7/2014 Sanders  
 D710,743 S 8/2014 Bartter  
 D712,739 S 9/2014 Lapsker  
 D713,517 S 9/2014 Dodge et al.  
 D716,148 S \* 10/2014 DeMarco ..... D9/542  
 D716,432 S 10/2014 Viala et al.  
 8,870,030 B2 10/2014 Demarest et al.  
 D717,123 S 11/2014 Epstein  
 D721,275 S 1/2015 Thijssen et al.  
 D721,278 S 1/2015 Eble  
 D723,376 S \* 3/2015 Adair ..... D9/539  
 D724,192 S 3/2015 Mecker  
 D724,945 S 3/2015 Davis et al.  
 8,985,398 B2 3/2015 Demarest et al.  
 8,985,405 B2 3/2015 Wanbaugh  
 D729,924 S 5/2015 Hsiao  
 D732,654 S 6/2015 Hsiao  
 D733,382 S 6/2015 Bos et al.  
 9,061,821 B2 6/2015 Helf et al.  
 D736,095 S 8/2015 Brochado et al.  
 D740,163 S 10/2015 Pettigrew et al.  
 D741,987 S 10/2015 Gamble et al.  
 D742,561 S 11/2015 Kasha  
 9,199,783 B2 12/2015 Wanbaugh et al.  
 D747,212 S \* 1/2016 Staab ..... D9/559  
 D750,491 S 3/2016 Campbell et al.  
 D750,492 S 3/2016 Campbell et al.  
 D752,378 S 3/2016 Wang  
 D757,560 S \* 5/2016 Venturini Fendi ..... D9/435  
 9,370,594 B2 6/2016 Gasper et al.  
 D764,043 S 8/2016 Sanders et al.  
 D764,650 S 8/2016 Sanders et al.  
 D765,440 S 9/2016 Clough et al.  
 D766,084 S 9/2016 Jiang  
 D767,810 S 9/2016 Li  
 D768,834 S 10/2016 Schuller et al.  
 D770,852 S 11/2016 Vu et al.  
 D776,247 S 1/2017 King et al.  
 D776,800 S 1/2017 King et al.  
 D781,488 S 3/2017 Patton  
 D782,309 S 3/2017 Jiang  
 D786,689 S \* 5/2017 Dalton ..... D9/573  
 D787,947 S \* 5/2017 Li ..... D9/686  
 D787,948 S 5/2017 Scott et al.  
 D790,352 S \* 6/2017 Staab ..... D9/574  
 9,669,126 B2 6/2017 Jaworski et al.  
 D797,916 S 9/2017 Gobber et al.  
 2004/0067172 A1 4/2004 Ehrlich et al.  
 2006/0202050 A1 9/2006 Caserta et al.  
 2015/0135503 A1 5/2015 Belongia  
 2016/0151528 A1 6/2016 Duffield  
 2016/0205727 A1 7/2016 Meinhart et al.  
 2016/0256586 A1 9/2016 Eastcott et al.  
 2017/0065992 A1 3/2017 Clough et al.  
 2017/0143042 A1 5/2017 Batista et al.  
 2017/0150755 A1 6/2017 Batista

2017/0159171 A1 6/2017 Tung et al.  
 2019/0091364 A1\* 3/2019 Pieper ..... A61L 9/127  
 2019/0091365 A1\* 3/2019 Pieper ..... A61L 9/127

FOREIGN PATENT DOCUMENTS

EM 000418538-0002 10/2005  
 EM 000487251-0003 2/2006  
 EM 000551643-0001 6/2006  
 EM 000551643-0002 6/2006  
 EM 000551643-0003 6/2006  
 EM 000551643-0004 6/2006  
 EM 000551643-0005 6/2006  
 EM 000551643-0006 6/2006  
 EM 000688023-0009 3/2007  
 EM 000755061-0001 7/2007  
 EM 000873757-0001 2/2008  
 EM 000983069-0003 8/2008  
 EM 000983069-0004 8/2008  
 EM 001171656-0003 10/2009  
 EM 001239875-0006 10/2010  
 EM 001239875-0007 10/2010  
 EM 001239990-0001 10/2010  
 EM 001239990-0002 10/2010  
 EM 001239990-0003 10/2010  
 EM 001239990-0004 10/2010  
 EM 001239990-0005 10/2010  
 EM 001239990-0007 10/2010  
 EM 001239990-0008 10/2010  
 EM 001239990-0009 10/2010  
 EM 001239990-0012 10/2010  
 EM 001239990-0013 10/2010  
 EM 001251490-0001 12/2010  
 EM 001251490-0002 12/2010  
 EM 001251490-0003 12/2010  
 EM 001251490-0004 12/2010  
 EM 001797150-0001 12/2010  
 EM 001797150-0002 12/2010  
 EM 001271894-0001 4/2011  
 EM 001917774-0001 9/2011  
 EM 001948365-0001 11/2011  
 EM 001977398-0002 1/2012  
 EM 001977398-0003 1/2012  
 EM 001977398-0005 1/2012  
 EM 001977398-0006 1/2012  
 EM 002021089-0001 4/2012  
 EM 001342927-0001 8/2012  
 EM 001342927-0002 8/2012  
 EM 001342927-0003 8/2012  
 EM 001342927-0004 8/2012  
 EM 001343164-0004 9/2012  
 EM 002162040-0001 1/2013  
 EM 001361356-0001 2/2013  
 EM 001361356-0002 2/2013  
 EM 001361356-0003 2/2013  
 EM 001361356-0004 2/2013  
 EM 001381149-0001 8/2013  
 EM 002330696-0001 10/2013  
 EM 002330696-0002 10/2013  
 EM 002354530-0001 11/2013  
 EM 002354670-0001 11/2013  
 EM 001421366-0002 9/2014  
 EM 002604728-0001 12/2014  
 EM 002604728-0002 12/2014  
 EM 002840553-0016 10/2015  
 EM 002971986-0001 2/2016  
 EM 003422724-0001 10/2016  
 EM 003850601-0022 4/2017  
 EP 0736248 A1 10/1996  
 EP 1270022 A1 1/2003  
 WO DM/057247 7/2001  
 WO 2005084721 A1 9/2005  
 WO DM/075912 4/2011  
 WO DM/079027 7/2012  
 WO DM/079361 9/2012  
 WO DM/082262 11/2013  
 WO DM/086082 2/2015

(56)

**References Cited**

FOREIGN PATENT DOCUMENTS

WO	DM/091142	12/2015
WO	DM/089961	2/2016
WO	DM/094518	11/2016

OTHER PUBLICATIONS

“Heart Shaped Jar 220ml.” petpower.eu. Available Mar. 31, 2017. Accessed Nov. 25, 2018. Available online via Internet Archive Wayback Machine at URL: <<https://web.archive.org/web/20170331172616/https://www.petpower.eu/product/heart-shaped-jar-220ml/>> (Year: 2017).\*

\* cited by examiner

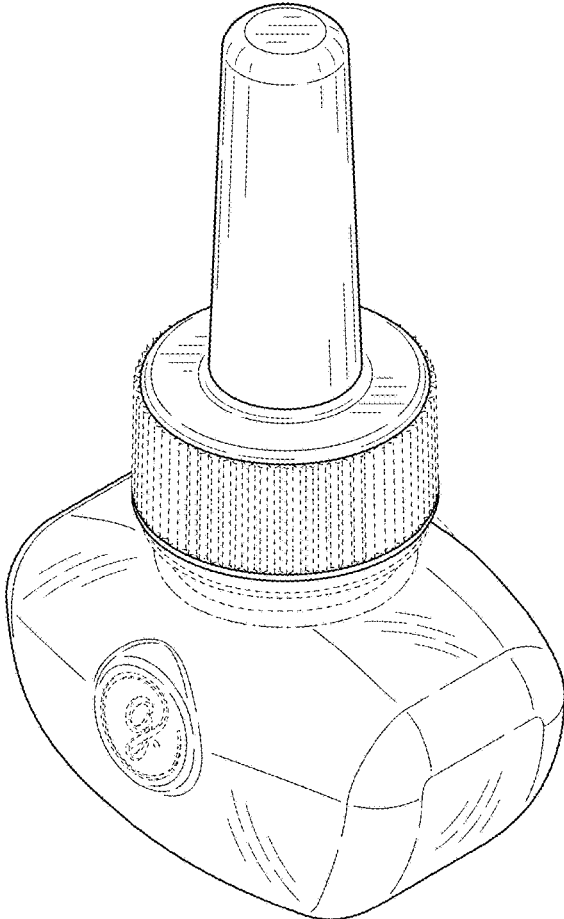


FIG. 1

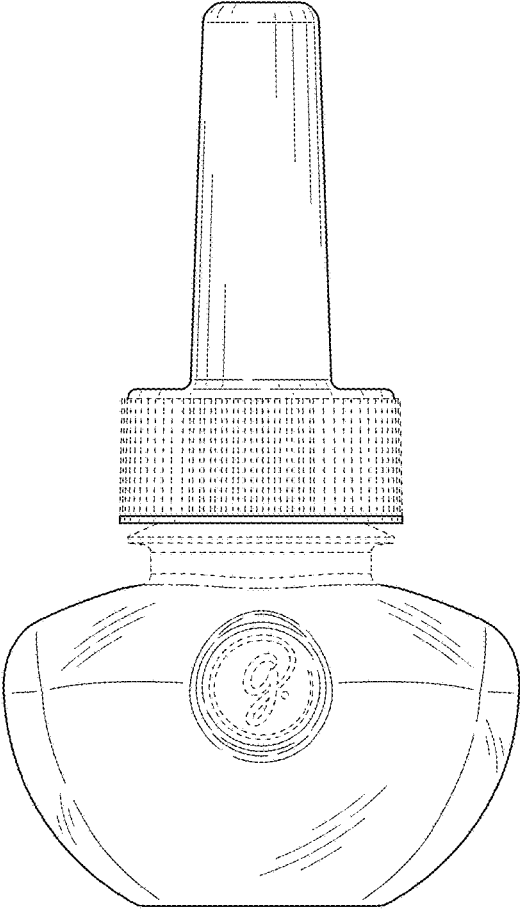


FIG. 2

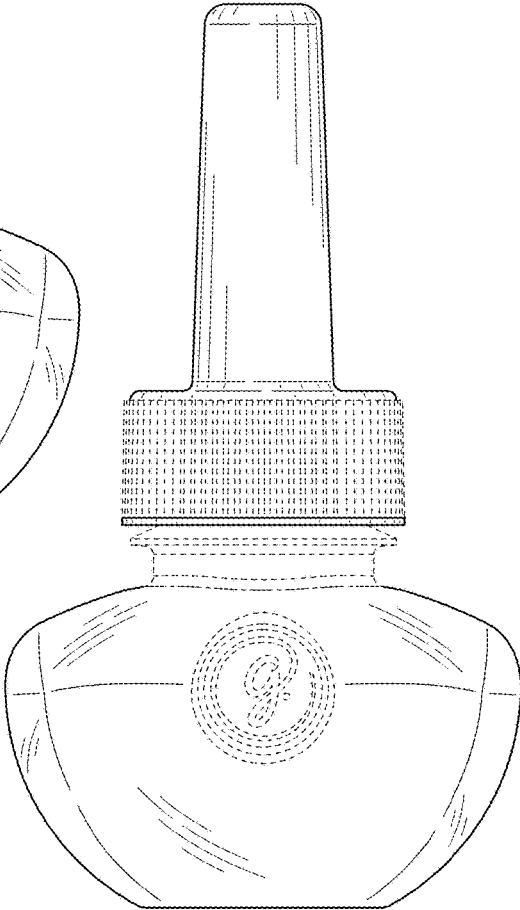


FIG. 3

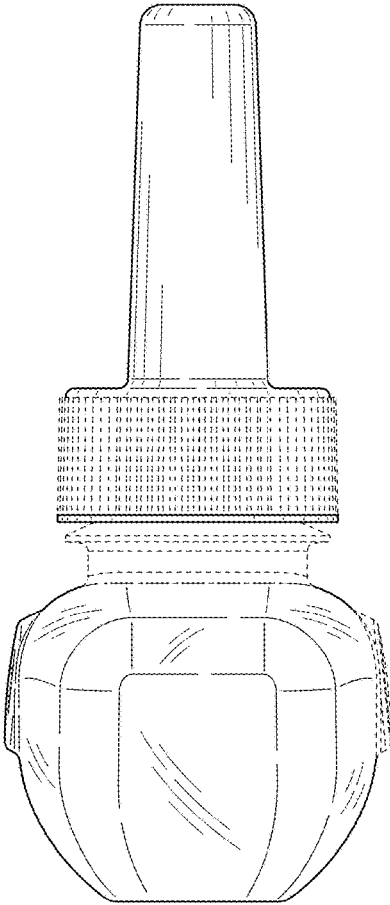


FIG. 4

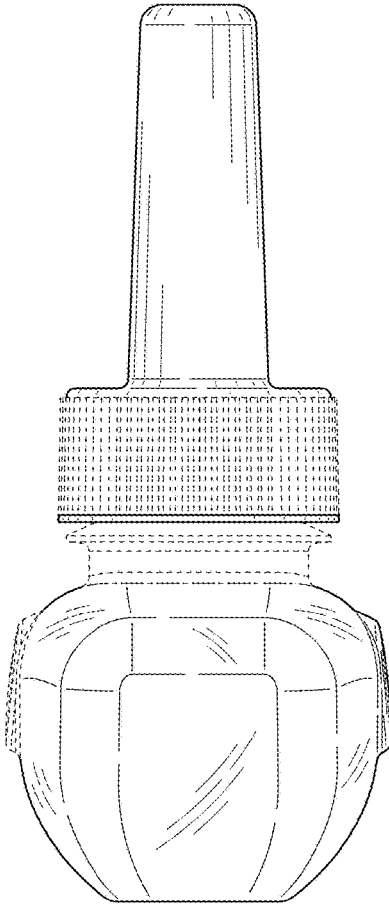


FIG. 5

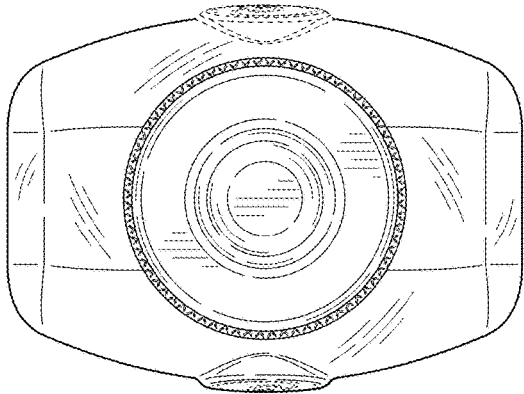


FIG. 6



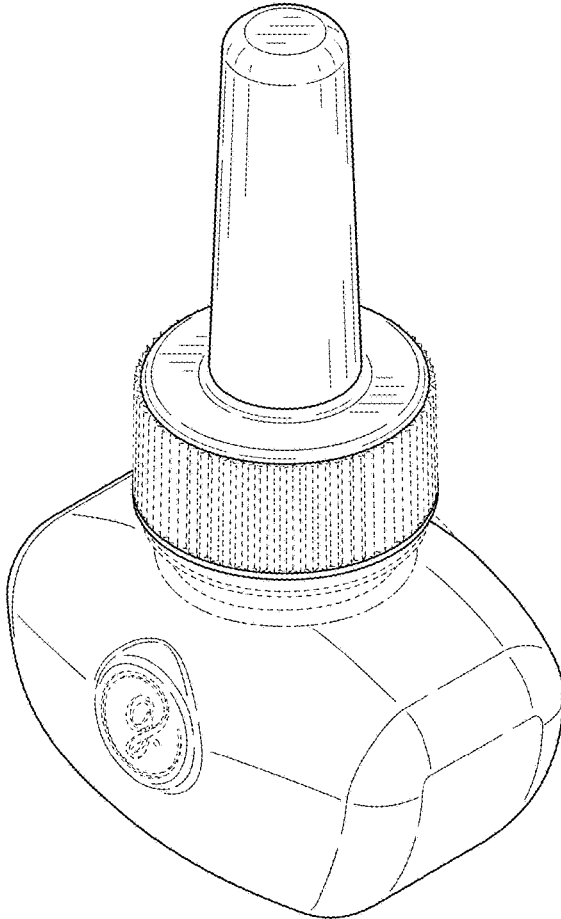


FIG. 7