



US00D369229S

United States Patent [19] Oberheim

[11] Patent Number: **Des. 369,229**
[45] Date of Patent: ****Apr. 23, 1996**

[54] **HAIR FORMING ATTACHMENT FOR A HAIR DRYER**

[75] Inventor: **Robert Oberheim**, Liederbach, Germany

[73] Assignee: **Braun Aktiengesellschaft**, Frankfurt, Germany

[**] Term: **14 Years**

[21] Appl. No.: **35,229**

[22] Filed: **Feb. 16, 1995**

[30] **Foreign Application Priority Data**

Oct. 10, 1994 [WO] WIPO DM/030 932

[52] U.S. Cl. **D28/18**

[58] Field of Search D28/13-18; 34/96-101; 392/384, 385, 379, 380, 383; 132/271, 272, 112-118

[56] **References Cited**

U.S. PATENT DOCUMENTS

D. 259,742	6/1981	Iammatteo	D28/18
D. 265,597	7/1982	Forsberg	D28/18
D. 323,039	1/1992	Lerner	D28/13
D. 349,585	8/1994	Rizzuto, Jr.	D28/18
4,295,283	10/1981	Tomaro	34/97
5,060,398	10/1991	Wolens	34/97 X
5,275,339	1/1994	Andis et al.	D28/18 X
5,392,528	2/1995	McDougall	392/383 X

FOREIGN PATENT DOCUMENTS

473822 3/1992 European Pat. Off. 392/379

2226954	7/1990	United Kingdom	392/385
2230184	4/1992	United Kingdom	.	
DM/021077	11/1992	WIPO	.	
DM/021436	12/1992	WIPO	.	
DM/026556	4/1993	WIPO	.	
DM/027996	1/1994	WIPO	.	
DM/029244	5/1994	WIPO	.	
DM/030274	9/1994	WIPO	.	

OTHER PUBLICATIONS

Hong Kong Enterprise Oct. 1991, p. 844: hair dryer with attachment at top of page.

Hong Kong Enterprise Oct. 1990, p. 374: Grand Champion diffuser at top of page.

Hong Kong Enterprise Jun. 1992, p. 264: item #PT-138 at top of page.

Primary Examiner—Ted Shooman

Assistant Examiner—C. Tuttle

Attorney, Agent, or Firm—Edward S. Podszus

[57] **CLAIM**

The ornamental design for a hair forming attachment for a hair dryer, as shown and described.

DESCRIPTION

FIG. 1 is a front and left side perspective view of the hair forming attachment for a hair dryer showing my design;

FIG. 2 is a front view thereof;

FIG. 3 is a right-side view thereof;

FIG. 4 is a left-side view thereof;

FIG. 5 is a rear view thereof;

FIG. 6 is a top plan view thereof; and,

FIG. 7 is a bottom plan view thereof.

1 Claim, 4 Drawing Sheets

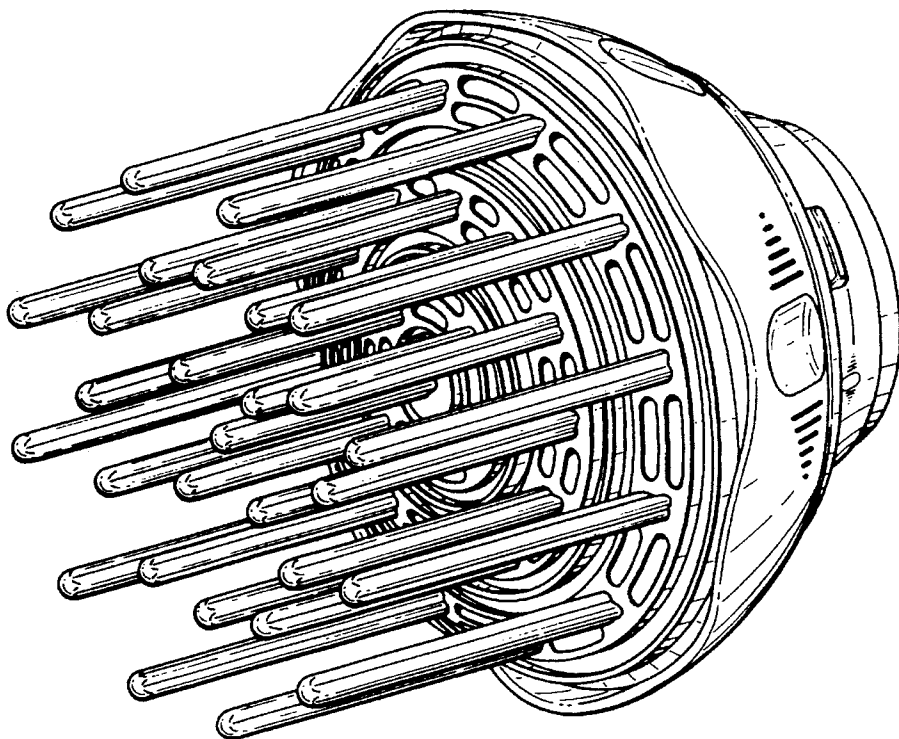


Fig. 1

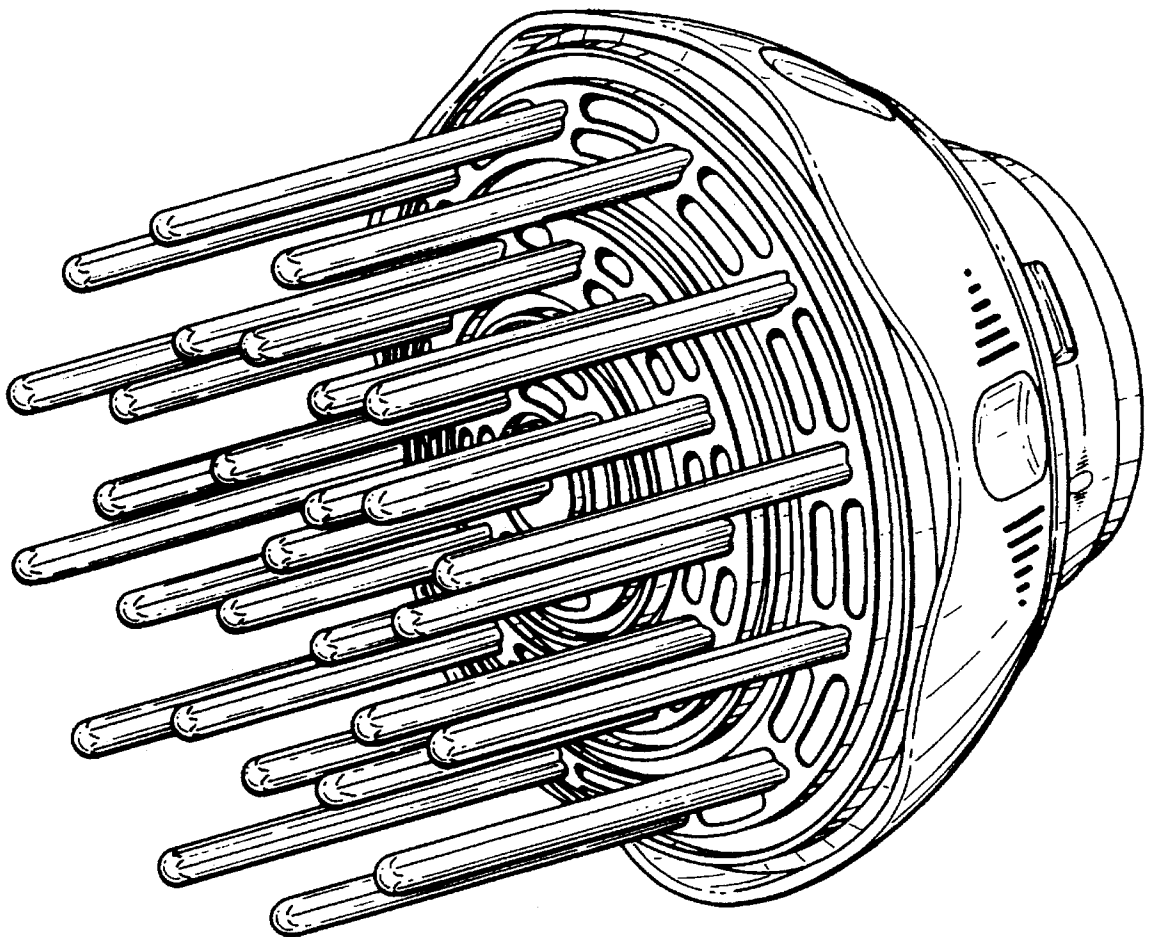


Fig. 2

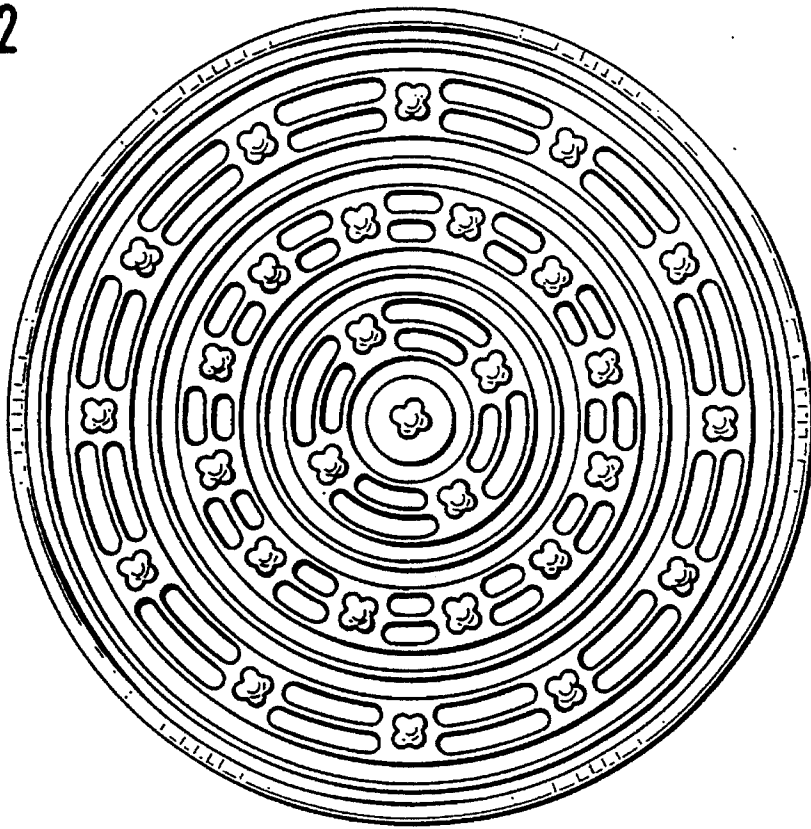


Fig. 5

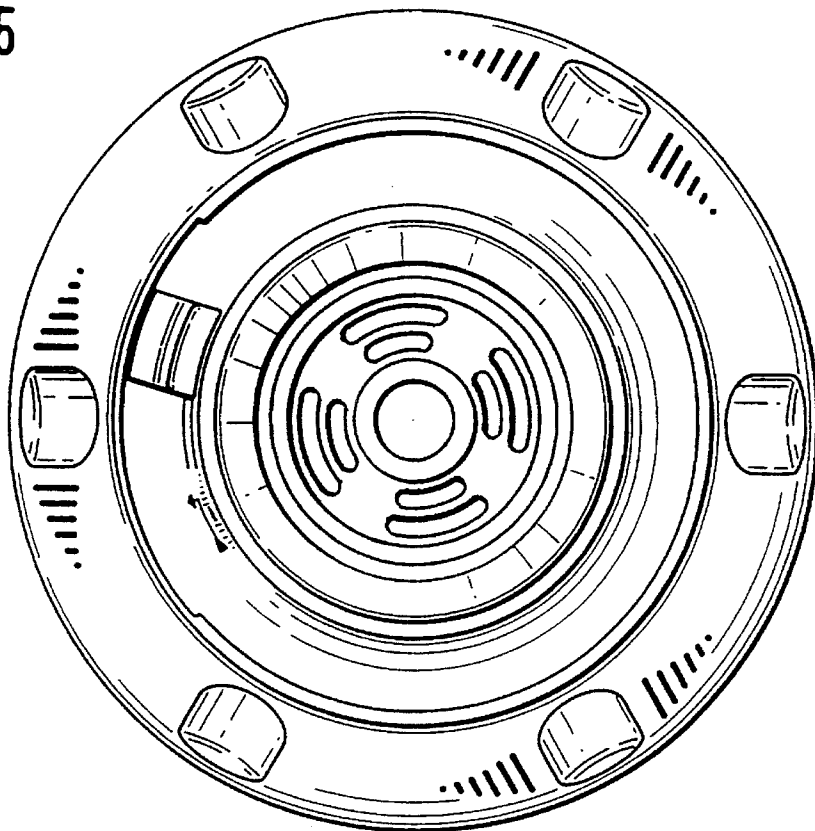


Fig. 3

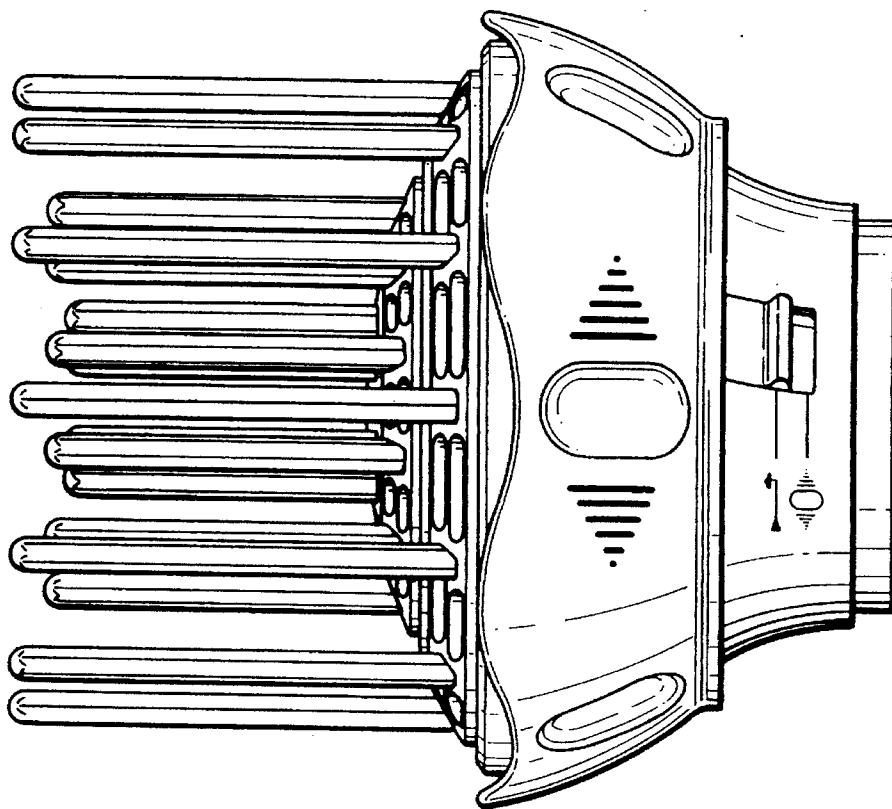


Fig. 7

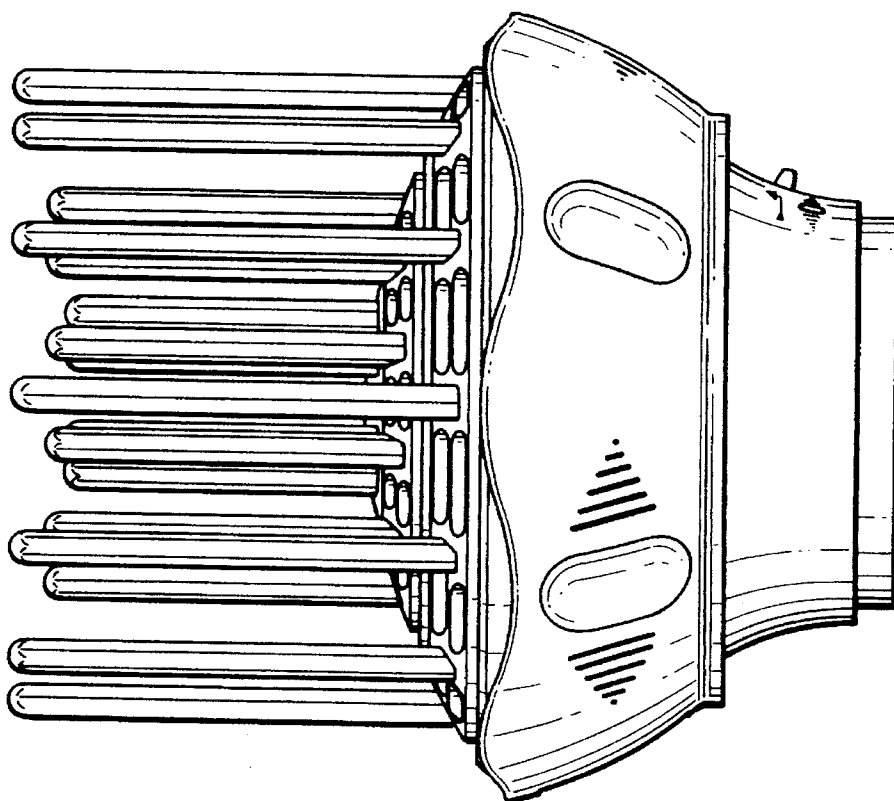


Fig. 6

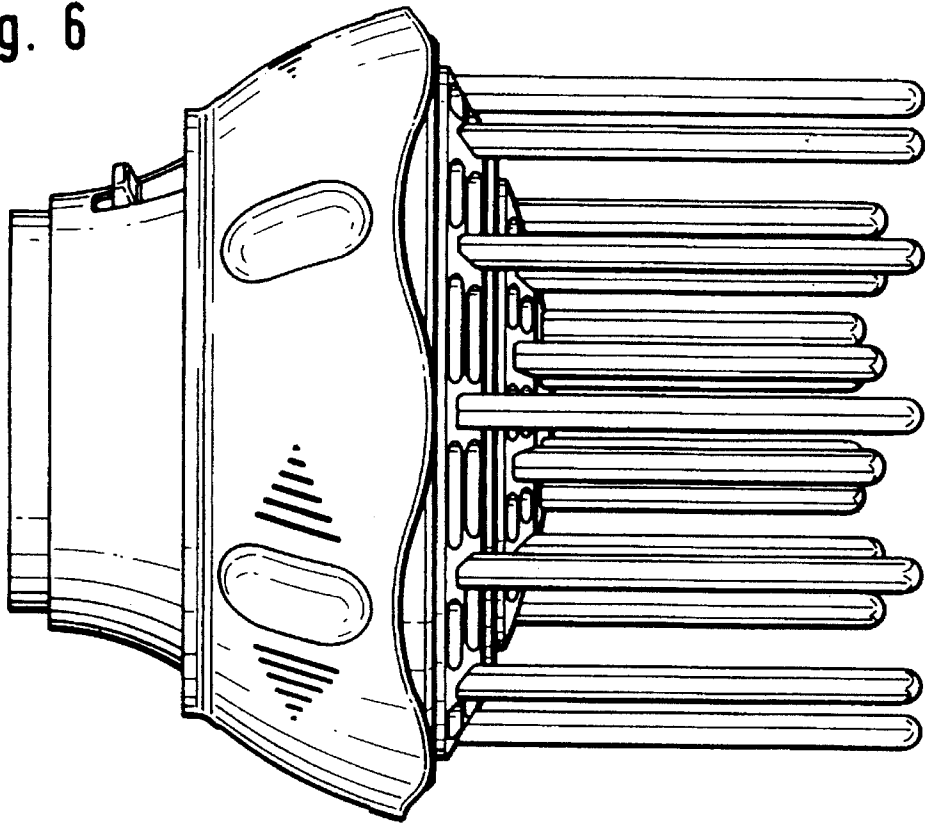


Fig. 4

