



US00D710269S

(12) **United States Design Patent**
O'Donnell et al.

(10) **Patent No.:** **US D710,269 S**

(45) **Date of Patent:** **** Aug. 5, 2014**

(54) **VEHICLE HOOD**

(71) Applicant: **GM Global Technology Operations LLC**, Detroit, MI (US)

(72) Inventors: **Kevin M. O'Donnell**, Beverly Hills, MI (US); **Junglim Huh**, Rochester Hills, MI (US)

(73) Assignee: **GM Global Technology Operations LLC**, Detroit, MI (US)

(**) Term: **14 Years**

(21) Appl. No.: **29/451,159**

(22) Filed: **Mar. 28, 2013**

(51) **LOC (10) Cl.** **12-16**

(52) **U.S. Cl.**
USPC **D12/173**

(58) **Field of Classification Search**
USPC D12/173, 196, 86, 90-92, 181;
180/69.21, 69.2, 69.22

See application file for complete search history.

(56) **References Cited**

U.S. PATENT DOCUMENTS

| | | | |
|--------------|---------|--------------------|---------|
| D540,725 S * | 4/2007 | Gunter et al. | D12/173 |
| D579,832 S * | 11/2008 | Opfer et al. | D12/173 |
| D609,615 S * | 2/2010 | Kruger et al. | D12/173 |
| D610,505 S * | 2/2010 | Bucher et al. | D12/173 |

* cited by examiner

Primary Examiner — Melody Brown

(74) *Attorney, Agent, or Firm* — Parks IP Law LLC; Mickki D. Murray, Esq.

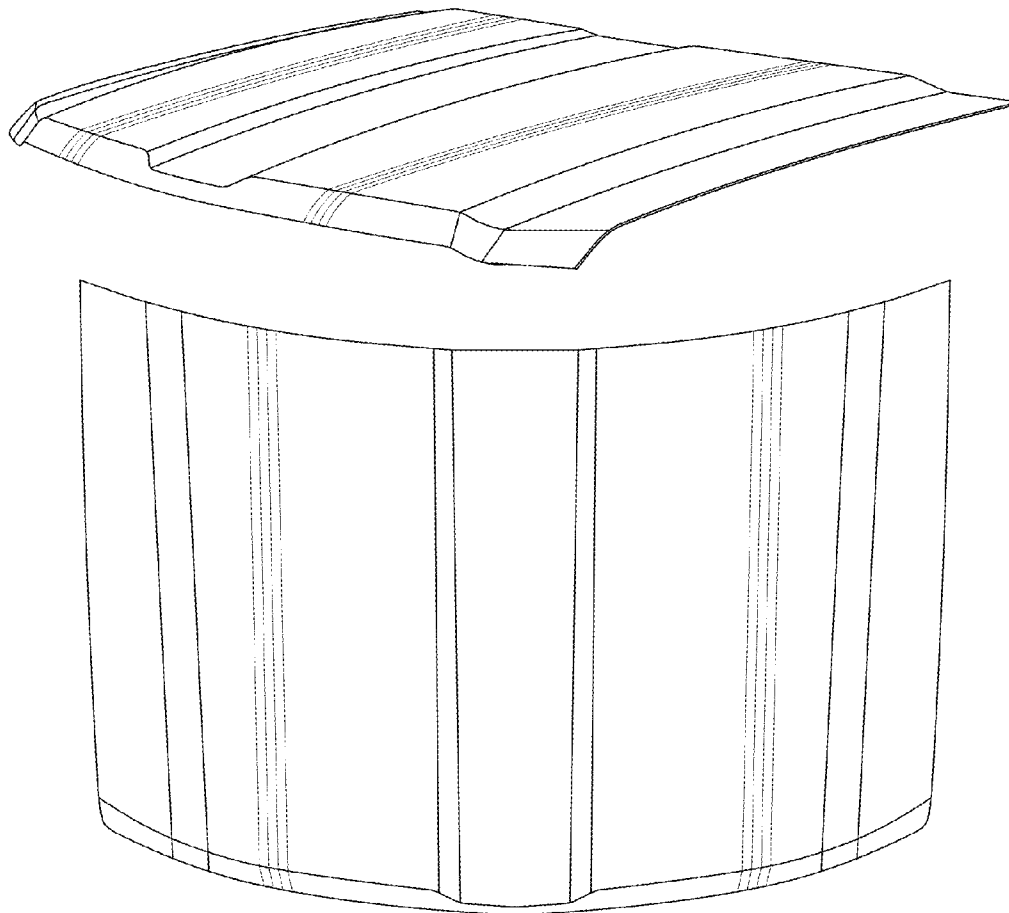
(57) **CLAIM**

The ornamental design for a vehicle hood, as shown and described.

DESCRIPTION

FIG. 1 is perspective view of a vehicle hood showing the new design;
FIG. 2 is a top plan view, thereof;
FIG. 3 is a side view, thereof; and,
FIG. 4 is a front view, thereof.

1 Claim, 1 Drawing Sheet



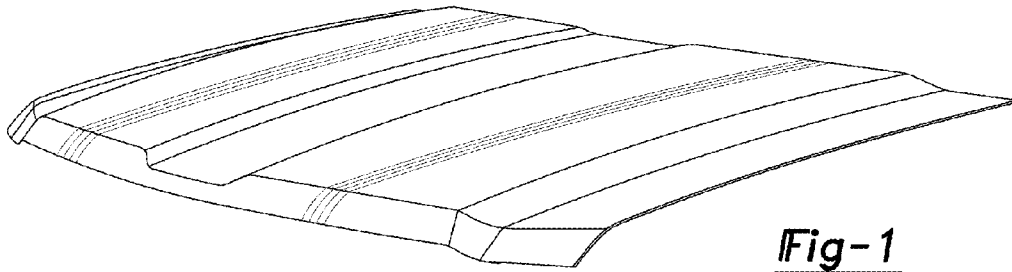


Fig-1

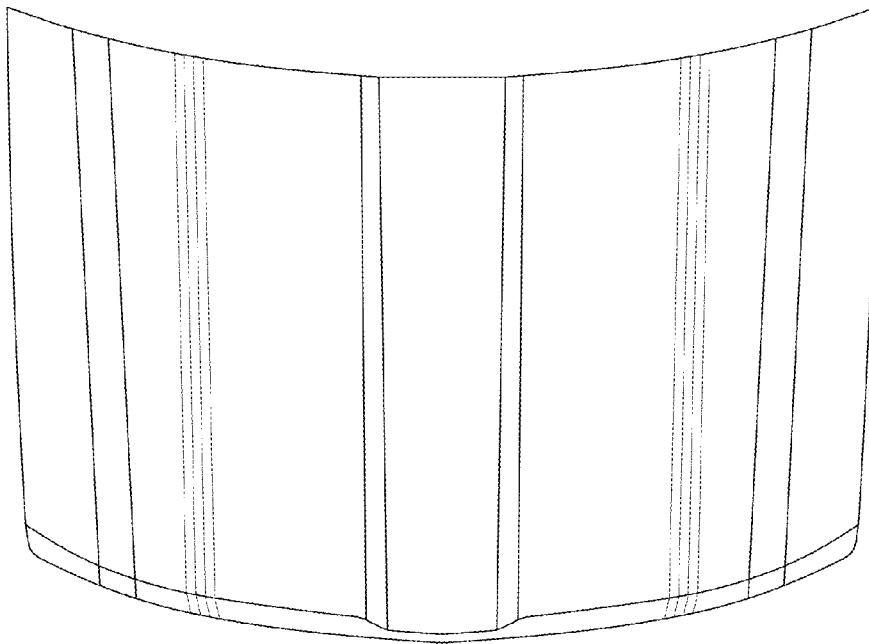


Fig-2

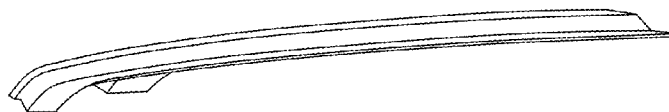


Fig-3

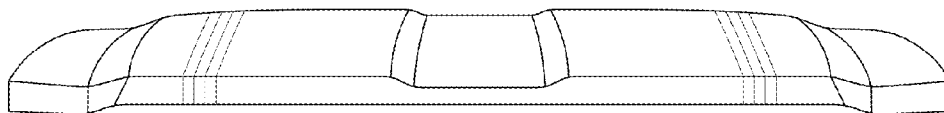


Fig-4