



US00D978039S

(12) **United States Design Patent** (10) **Patent No.:** **US D978,039 S**  
**Manzoni** (45) **Date of Patent:** **\*\* Feb. 14, 2023**

(54) **DASHBOARD FOR VEHICLES**  
(71) Applicant: **Ferrari S.p.A.**, Modena (IT)  
(72) Inventor: **Flavio Manzoni**, Maranello (IT)  
(73) Assignee: **FERRARI S.p.A.**, Modena (IT)  
(\*\*) Term: **15 Years**  
(21) Appl. No.: **29/784,812**  
(22) Filed: **May 21, 2021**

D726,611 S \* 4/2015 Higashimori ..... D12/192  
D727,817 S \* 4/2015 Schroeder ..... D12/192  
D730,805 S \* 6/2015 Tran ..... D12/345  
D756,279 S \* 5/2016 Shouno ..... D12/192  
D761,709 S \* 7/2016 Shimizu ..... D12/192  
D770,348 S \* 11/2016 Shimizu ..... D12/192  
D817,832 S \* 5/2018 Maezono ..... D12/192  
D828,260 S \* 9/2018 Takagi ..... D12/192  
D837,117 S \* 1/2019 Manzoni ..... D12/192  
D844,516 S \* 4/2019 Yu ..... D12/192  
D847,055 S \* 4/2019 De Vienne ..... D12/192  
D853,919 S \* 7/2019 Hazumi ..... D12/415  
D893,373 S \* 8/2020 Selipanov ..... D12/192  
2016/0129871 A1 \* 5/2016 Knauf ..... B60R 13/0256  
280/730.1  
2018/0032138 A1 \* 2/2018 Yasuoka ..... G06F 3/016  
2018/0079284 A1 \* 3/2018 Choi ..... B60J 3/04

**Related U.S. Application Data**

(62) Division of application No. 35/509,090, filed on Oct. 14, 2019 (U.S. filing date under 35 U.S.C. 384), and having an international filing date of Oct. 14, 2019, now Pat. No. Des. 938,878.

**Foreign Application Priority Data**

Apr. 15, 2019 (EM) ..... 006377685  
(51) **LOC (14) Cl.** ..... **12-11**  
(52) **U.S. Cl.**  
USPC ..... **D12/192**

**Field of Classification Search**

USPC ..... D12/110, 114, 192, 415; D10/46, 98,  
D10/102-103, 122-127; D15/17, 28  
CPC ..... B60K 35/00; B60K 37/04; B60K 37/06;  
B60R 11/0235; B60R 11/0252  
See application file for complete search history.

**References Cited**

**U.S. PATENT DOCUMENTS**

D697,461 S \* 1/2014 Norman ..... D12/192  
D697,462 S \* 1/2014 Yamazaki ..... D12/192  
D704,609 S \* 5/2014 Nakauchi ..... D12/192

\* cited by examiner

*Primary Examiner* — Darlington Ly  
(74) *Attorney, Agent, or Firm* — Cowan, Liebowitz & Latman, P.C.; Anastasia Zhadina

(57) **CLAIM**

The ornamental design for a dashboard for vehicles, as shown and described.

**DESCRIPTION**

FIG. 1 is a front perspective view of the dashboard for vehicles showing my design;  
FIG. 2 is a front view thereof;  
FIG. 3 is an enlarged front perspective view thereof;  
FIG. 4 is an enlarged front view thereof;  
FIG. 5 is a top view thereof;  
FIG. 6 is a portion of the front view shown in FIG. 4; and,  
FIG. 7 is another portion of the front view shown in FIG. 4. Portions of the dashboard for vehicles shown in broken lines form no part of the claimed design.

**1 Claim, 7 Drawing Sheets**

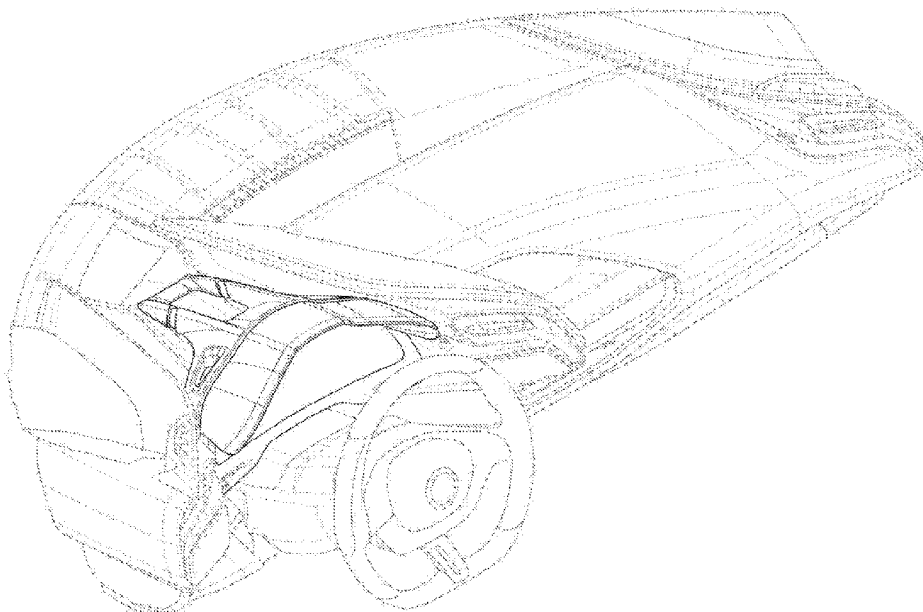


FIG. 1

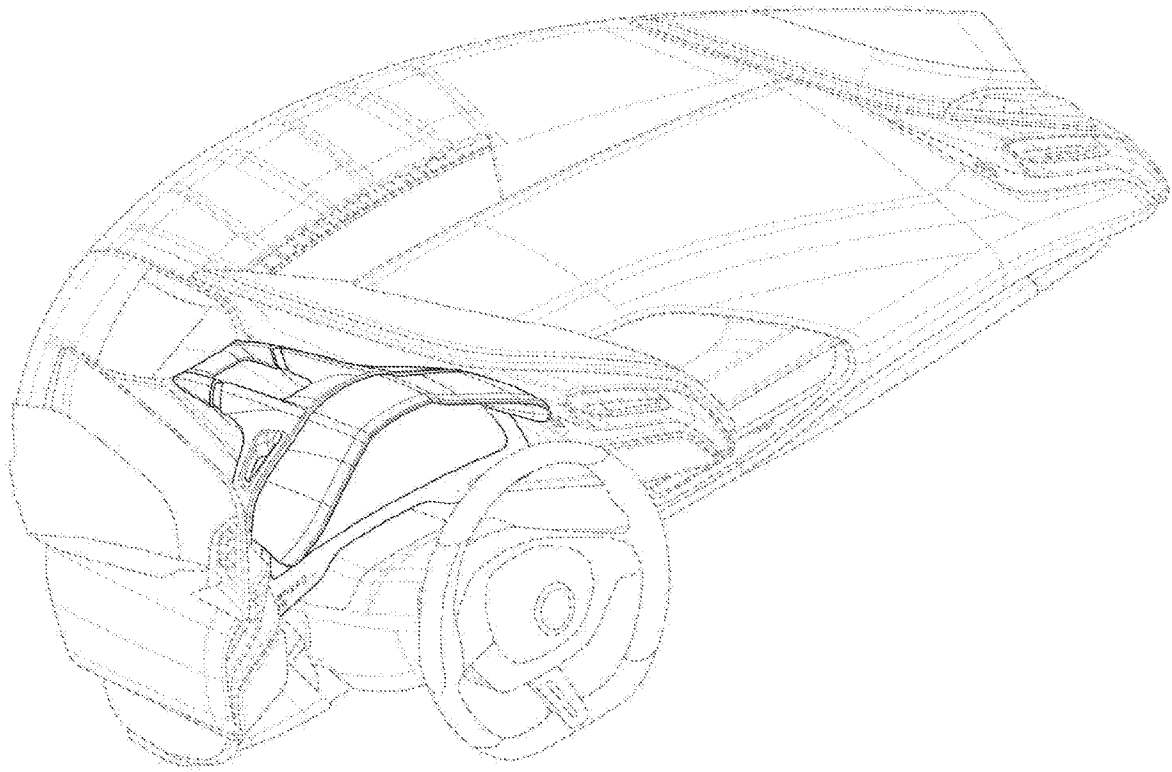


FIG. 2

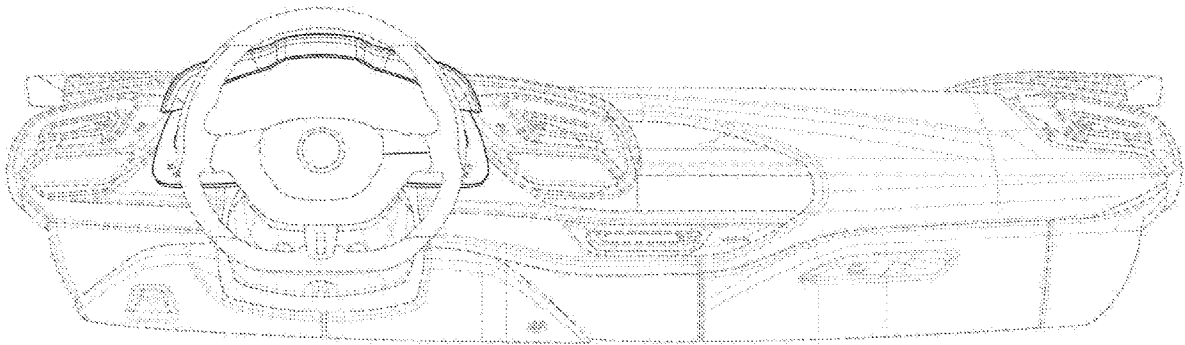


FIG. 3

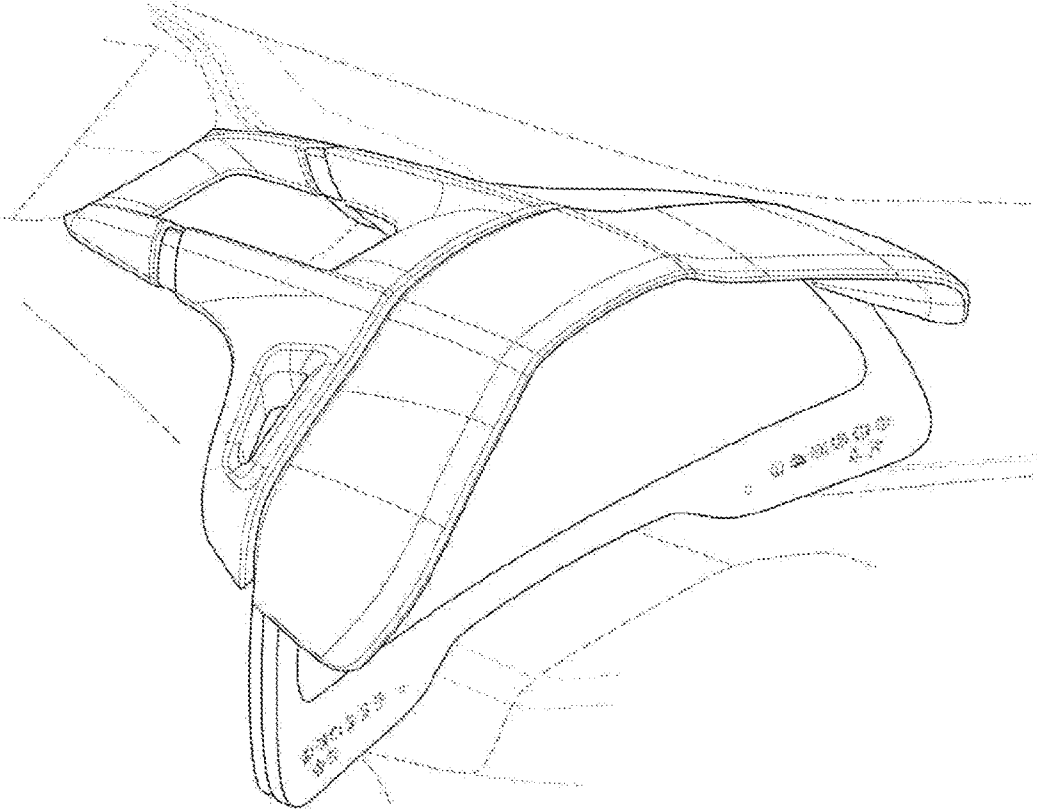


FIG. 4

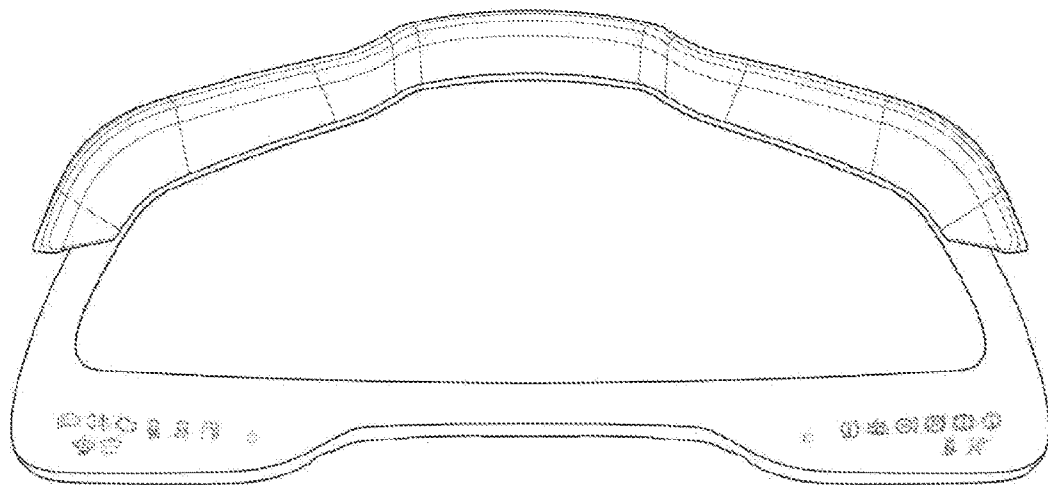


FIG. 5

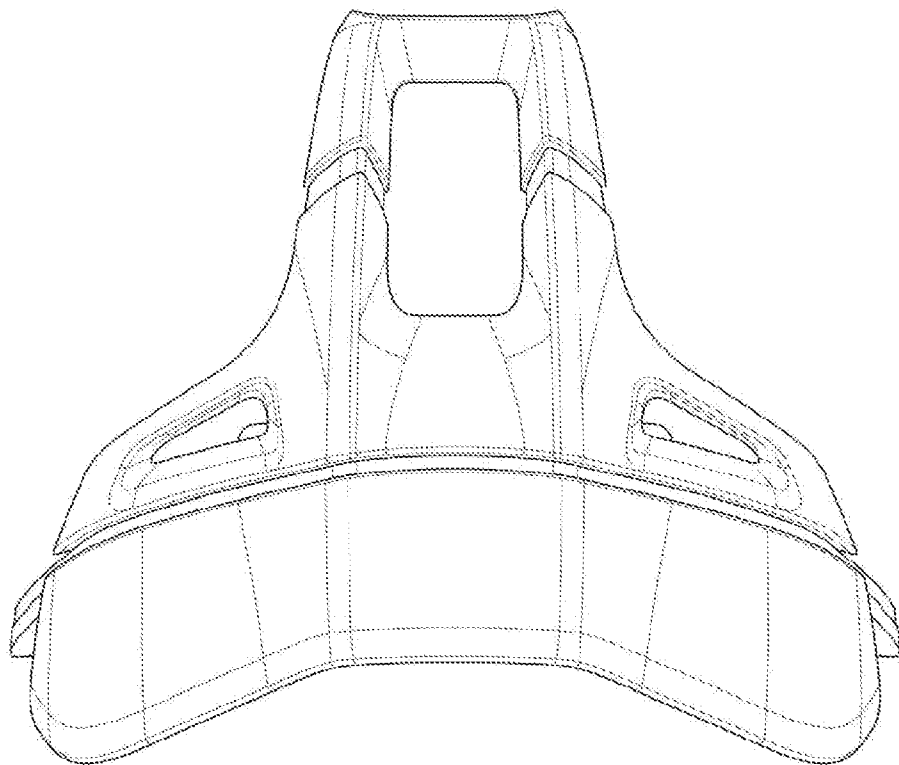


FIG. 6

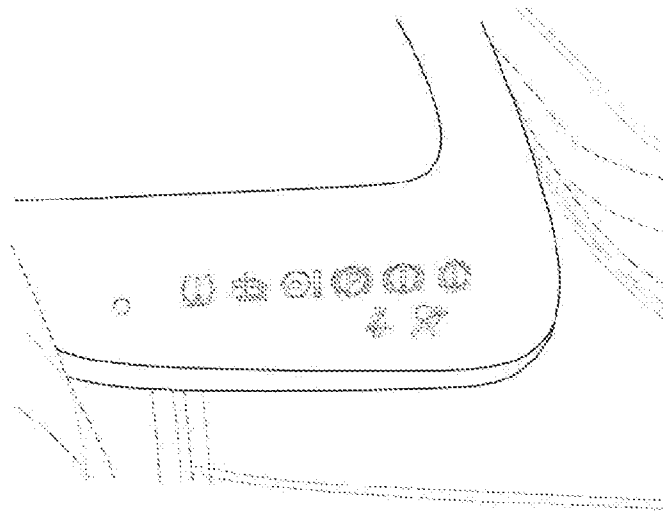


FIG. 7

