



US00D883722S

(12) **United States Design Patent**
Dittrich

(10) **Patent No.:** **US D883,722 S**

(45) **Date of Patent:** **** May 12, 2020**

(54) **ORGANIZER**
(71) Applicant: **Spectrum Diversified Designs, LLC**,
Streetsboro, OH (US)
(72) Inventor: **Megan Dittrich**, Twinsburg, OH (US)
(73) Assignee: **SPECTRUM DIVERSIFIED**
DESIGNS, LLC, Streetsboro, OH (US)
(**) Term: **15 Years**
(21) Appl. No.: **29/672,861**

4,318,478 A * 3/1982 De Winter A47J 47/16
206/373
D268,119 S * 3/1983 Evenson D19/77
4,410,093 A * 10/1983 Chiariello B42F 17/12
211/11
4,593,822 A * 6/1986 Yeaney A61L 2/26
211/41.8
D329,954 S * 10/1992 Sharon D6/675.5
D433,712 S * 11/2000 Walsh D19/75
D478,354 S * 8/2003 Chen D19/75
D585,094 S * 1/2009 Smith D19/90
D689,945 S * 9/2013 Hu D19/90
8,627,764 B1 * 1/2014 Cloutier A47J 37/0694
99/448
D709,719 S * 7/2014 Hsu D6/683.1
(Continued)

(22) Filed: **Dec. 10, 2018**
(51) **LOC (12) Cl.** **06-06**
(52) **U.S. Cl.**
USPC **D6/683.1**
(58) **Field of Classification Search**
USPC D6/408, 509-511, 462-465, 566-567,
D6/569-572, 574, 672, 675, 675.5, 682,
D6/682.2, 682.4, 683-683.1; D19/75, 86,
D19/95
CPC A47G 29/12; A47G 29/1203; A47B 63/00;
B42D 5/005; B42D 5/006; B43M 99/00;
B43M 99/006; B43M 99/007; B43M
99/009
See application file for complete search history.

OTHER PUBLICATIONS

Euro Arc Cabinet & Pantry Kitchen Organizer, Spectrum web page,
<https://www.spectrumdiversified.com/products/euro-arc-cabinet-pantry-kitchen-organizer>, dated: Nov. 27, 2018, 5 pages.

Primary Examiner — Kelley A Donnelly
(74) *Attorney, Agent, or Firm* — Tucker Ellis LLP

(57) **CLAIM**

The ornamental design for an organizer, as shown and described.

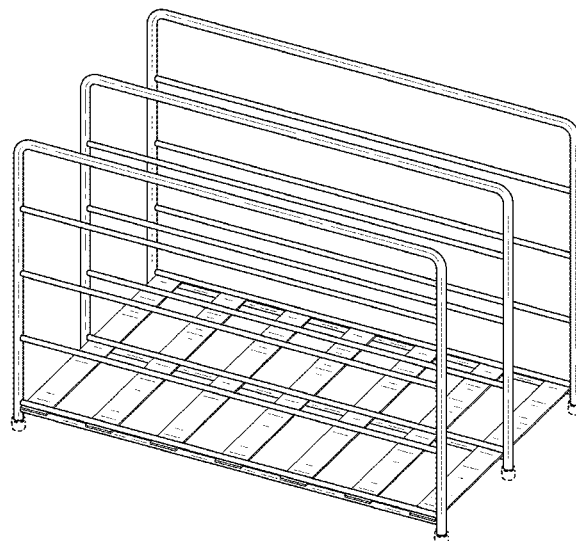
DESCRIPTION

FIG. 1 is a perspective view of an organizer showing my new design.
FIG. 2 is a front view thereof.
FIG. 3 is a rear view thereof.
FIG. 4 is a right side view thereof.
FIG. 5 is a left side view thereof.
FIG. 6 is a top view thereof; and,
FIG. 7 is a bottom view thereof.
The broken lines show portions of the design that form no part of the claimed design.

1 Claim, 4 Drawing Sheets

(56) **References Cited**
U.S. PATENT DOCUMENTS

301,204 A * 7/1884 Berry A47F 7/163
211/45
D94,204 S * 1/1935 Guild D19/90
D129,374 S * 9/1941 Guild D19/90
3,083,836 A * 4/1963 Bussemer B65D 7/065
211/134
3,176,849 A * 4/1965 Peebles B42F 17/02
211/50
4,087,926 A * 5/1978 Breslau G03D 13/125
211/50
D258,511 S * 3/1981 Ashton D19/90



(56)

References Cited

U.S. PATENT DOCUMENTS

D748,939	S *	2/2016	Hsu	D6/683.1
D816,378	S *	5/2018	Ernst	D6/683.1
D841,734	S *	2/2019	Tuang	D19/90
D859,523	S *	9/2019	Goodman	D19/90
D865,867	S *	11/2019	Muri	D19/62
2011/0062093	A1 *	3/2011	McGhee	A47B 43/00 211/50

* cited by examiner

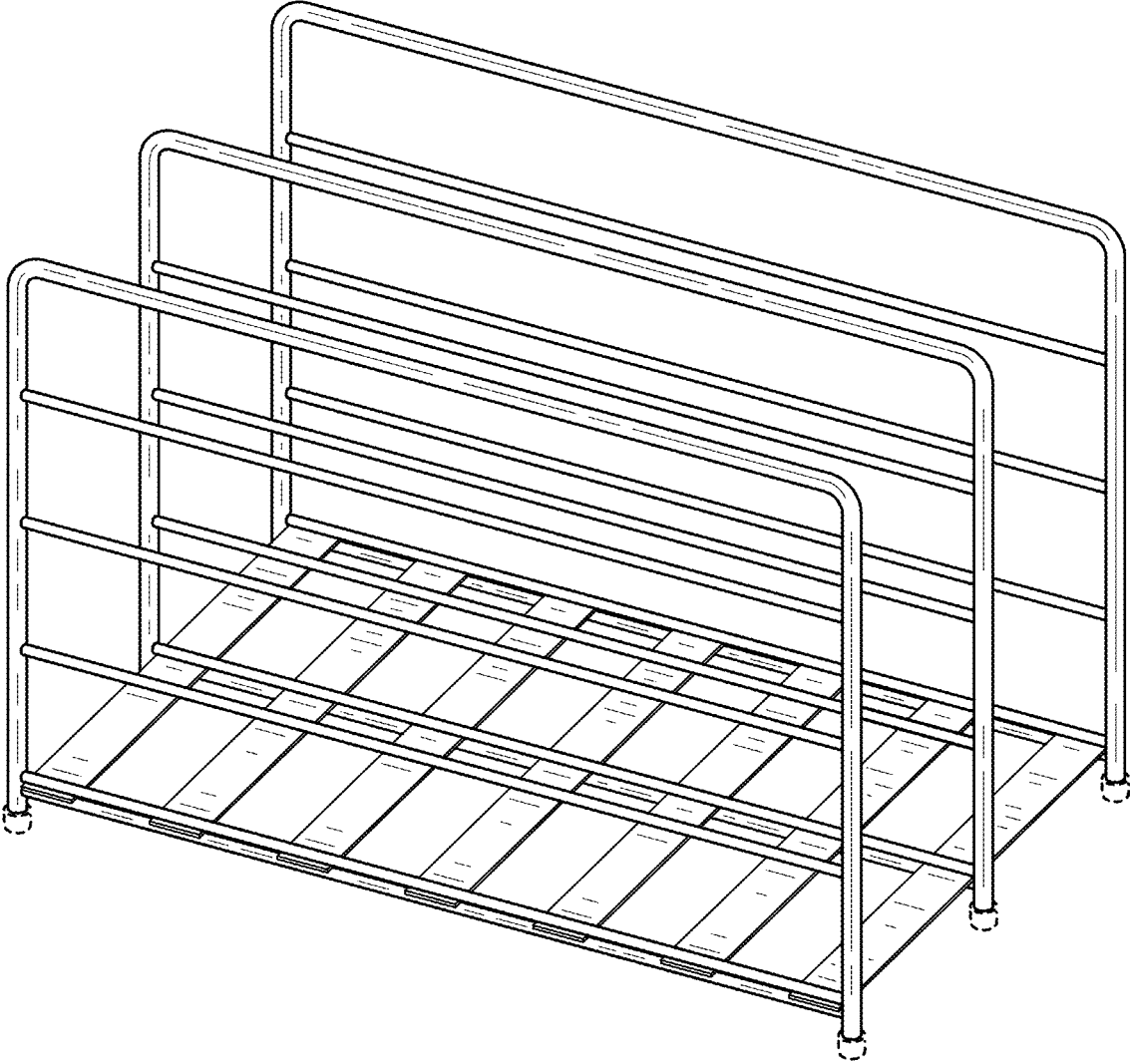


FIG. 1

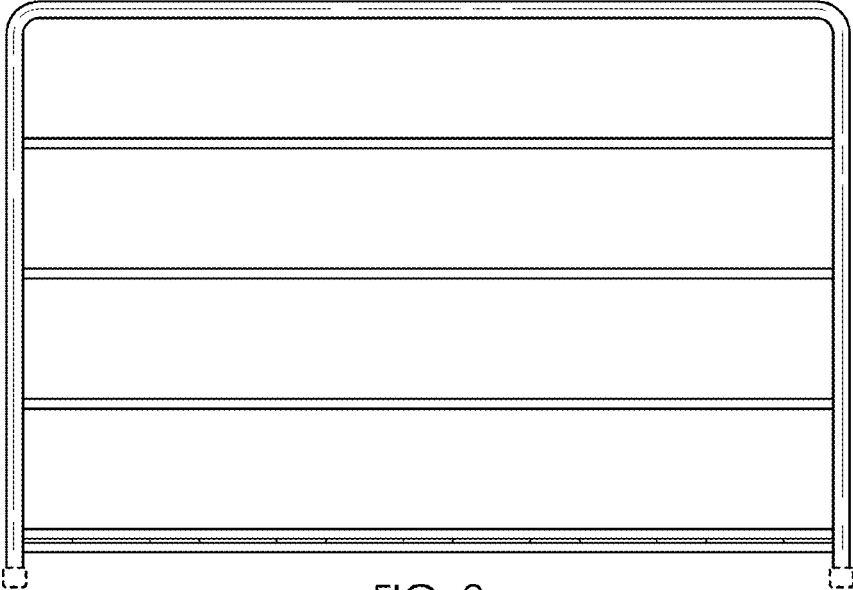


FIG. 2

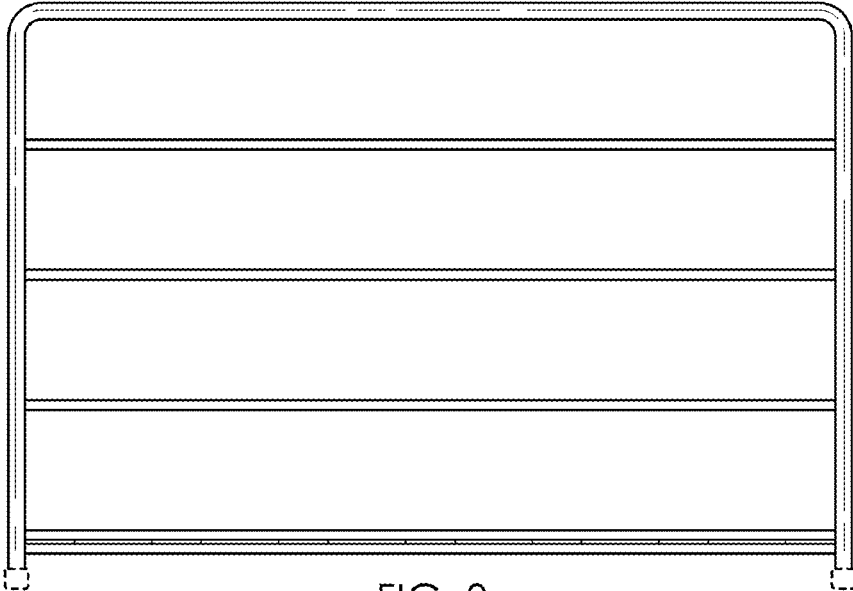


FIG. 3

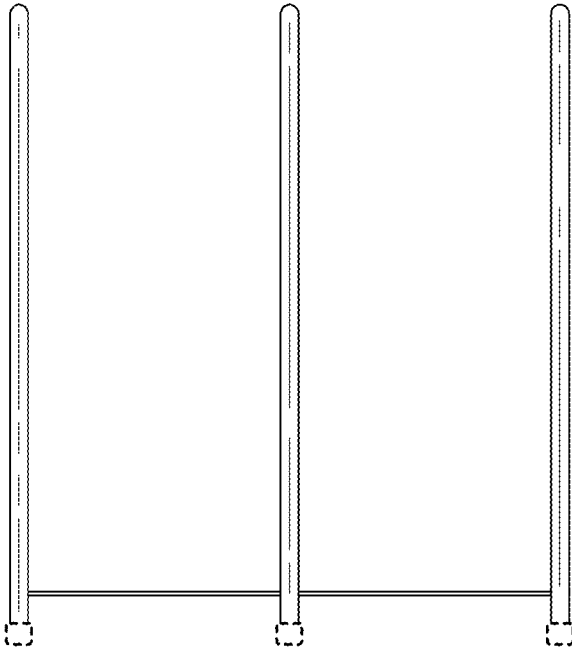


FIG. 4

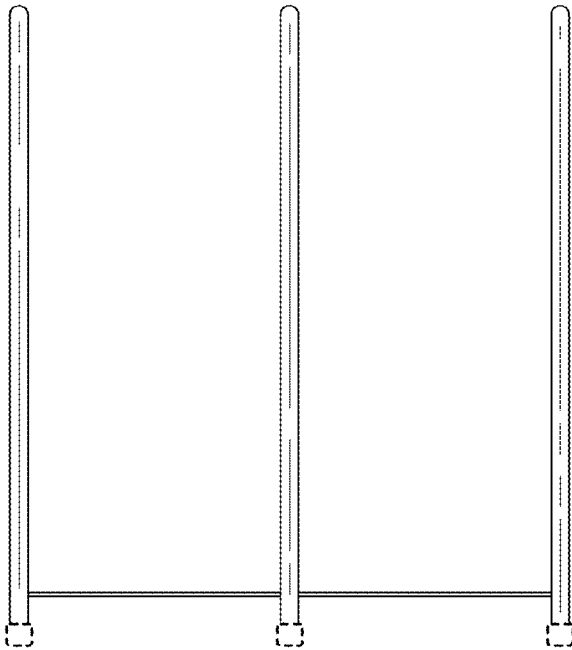


FIG. 5

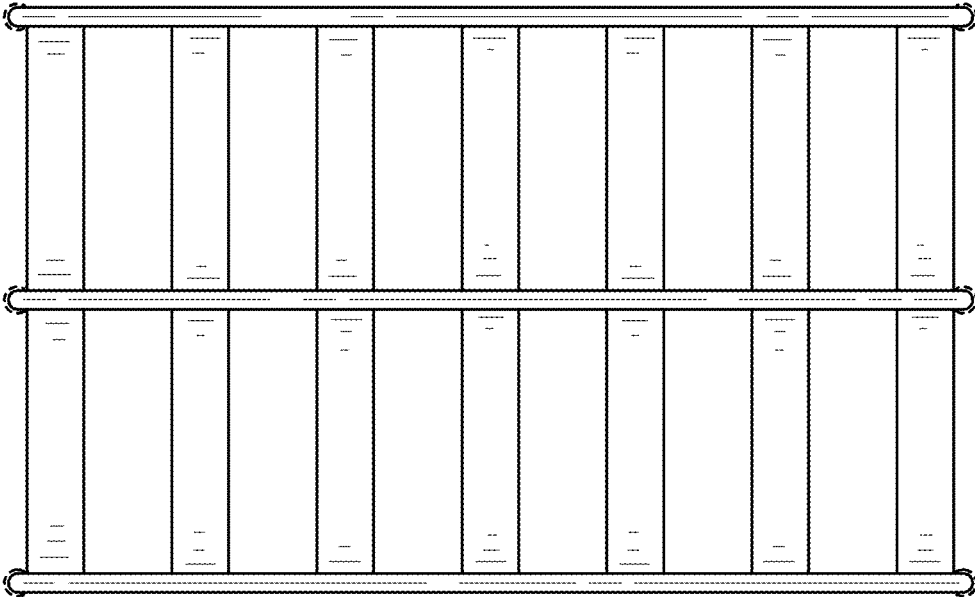


FIG. 6

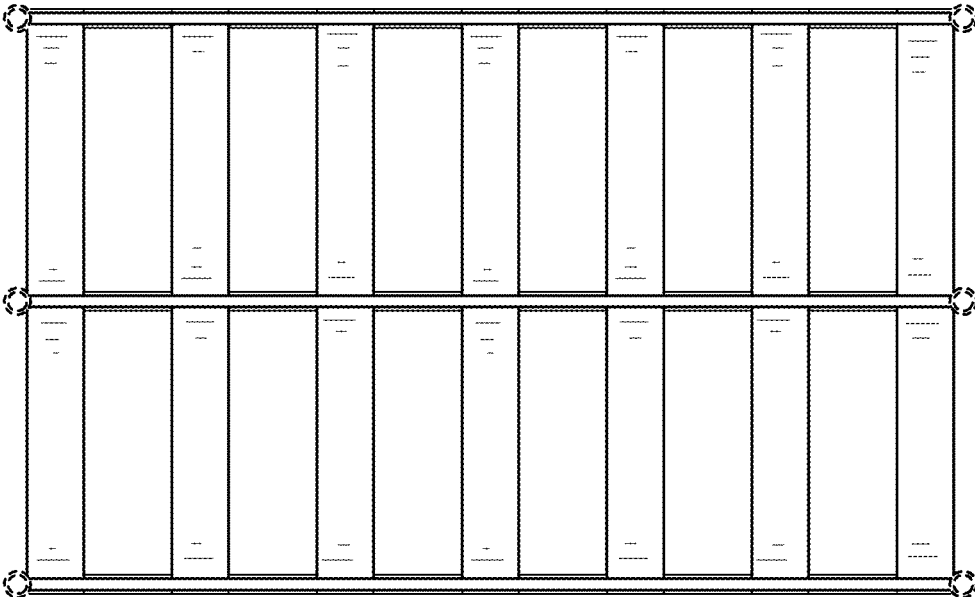


FIG. 7