



US00D903932S

(12) **United States Design Patent**
Hu

(10) **Patent No.:** **US D903,932 S**

(45) **Date of Patent:** **** Dec. 1, 2020**

- (54) **BRACKET FOR 7-INCH ROUND HEADLIGHT**
- (71) Applicant: **Chun Hu**, Guangzhou (CN)
- (72) Inventor: **Chun Hu**, Guangzhou (CN)
- (**) Term: **15 Years**
- (21) Appl. No.: **29/672,922**
- (22) Filed: **Dec. 10, 2018**
- (51) **LOC (12) Cl.** **26-99**
- (52) **U.S. Cl.**
USPC **D26/113**
- (58) **Field of Classification Search**
USPC D26/72, 74, 76, 78-83, 85, 86, 88, 90,
D26/93, 111, 113, 118-122, 138-142,
D26/152
CPC F21S 8/00; F21S 8/024; F21S 8/026; F21S
8/031; F21S 8/033; F21S 8/035-037;
F21S 8/04; F21S 8/043; F21S 8/063;
F21S 2/00; F21S 4/00; F21S 4/003; F21S
4/005; F21S 4/006; F21S 4/007; F21S
4/008; F21S 6/00
See application file for complete search history.

D735,933 S *	8/2015	Campagna	D26/142
9,266,465 B2 *	2/2016	Shibata	B60Q 1/076
D883,562 S *	5/2020	Hu	D26/138
2003/0117812 A1 *	6/2003	Serizawa	F21S 43/50 362/528
2010/0296306 A1 *	11/2010	Toyoyama	F21S 41/365 362/519
2018/0118092 A1 *	5/2018	Jakobsmeier	B60Q 1/076
2020/0071894 A1 *	3/2020	Coyne	B60R 16/023

* cited by examiner

Primary Examiner — Zenia I Bennett

(57) **CLAIM**

The ornamental design for a bracket for 7-inch round headlight, as shown and described.

DESCRIPTION

FIG. 1 is a top view of my bracket for 7-inch round headlight design;
 FIG. 2 is a rear-bottom view thereof;
 FIG. 3 is a vertical view thereof;
 FIG. 4 is a bottom view thereof;
 FIG. 5 is a left-side view thereof;
 FIG. 6 is a right-side view thereof;
 FIG. 7 is a front view thereof; and,
 FIG. 8 is a back view thereof.

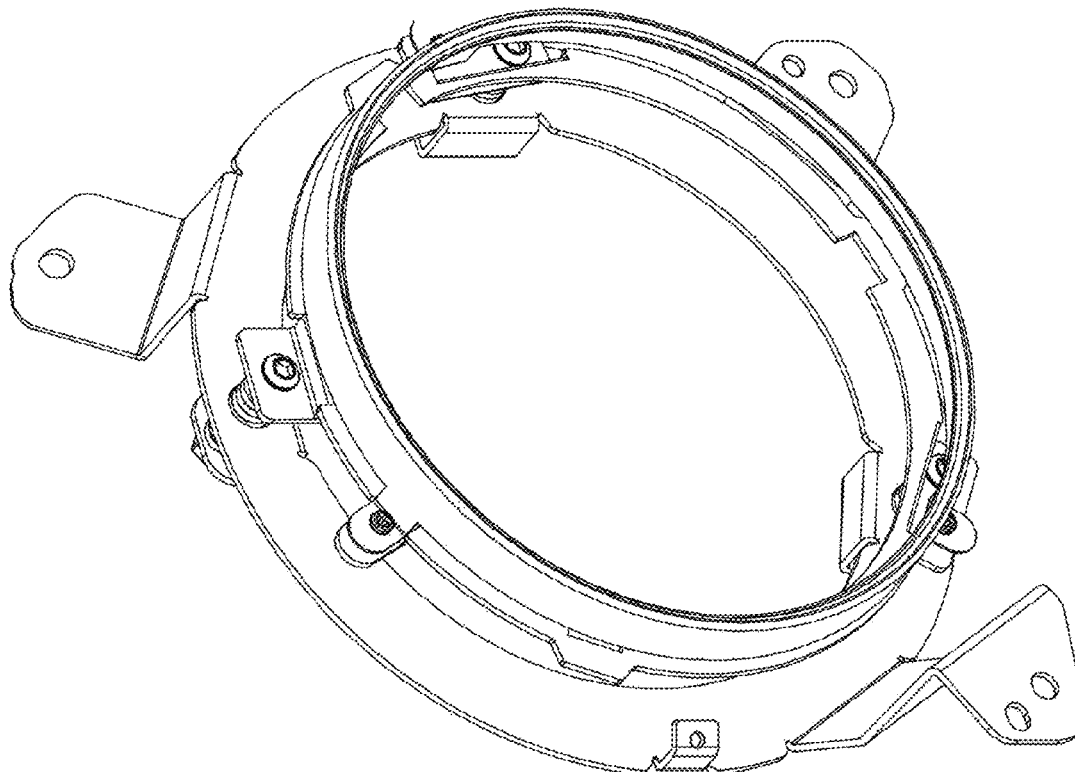
My design is an assistance bracket for headlight of JEEP Wrangler JL. My design can install 7-inch round assembly light in the market now to JEEP Wrangler JL conveniently. And the three-point adjustment structure can be used to set the horizontal illumination in a more precise way.

1 Claim, 8 Drawing Sheets

(56) **References Cited**

U.S. PATENT DOCUMENTS

D465,061 S *	10/2002	Guthrie	D23/269
D486,940 S *	2/2004	Yiu	D26/138
D653,799 S *	2/2012	Baker	D26/138



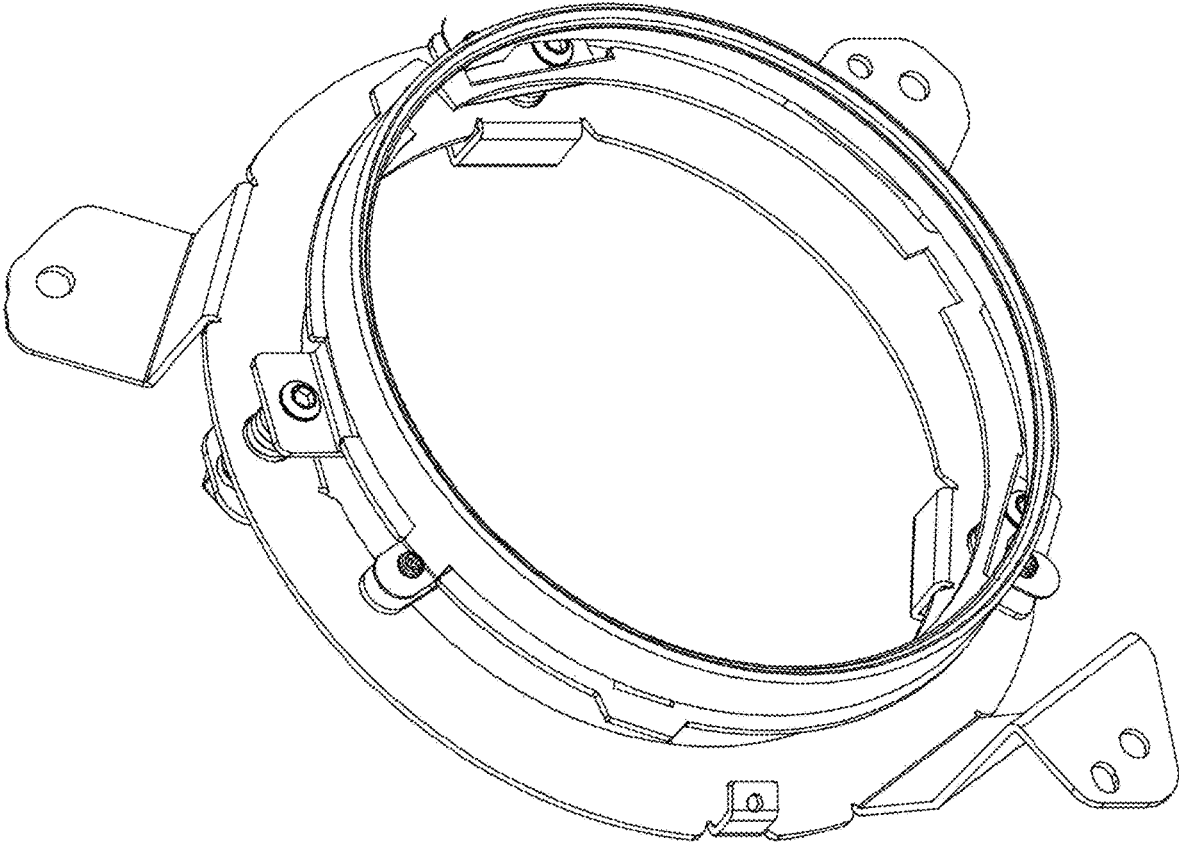


FIG.1

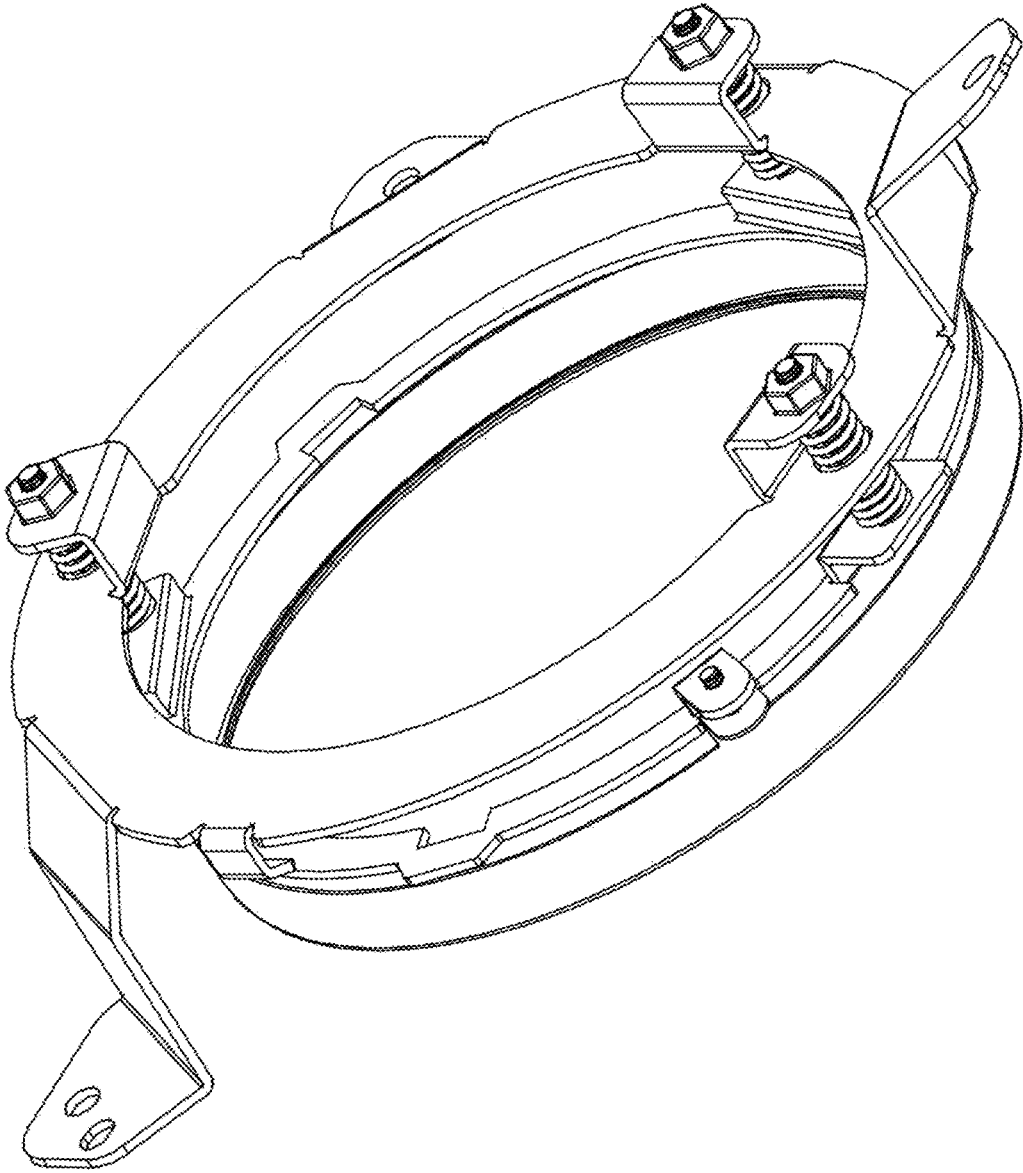


FIG.2

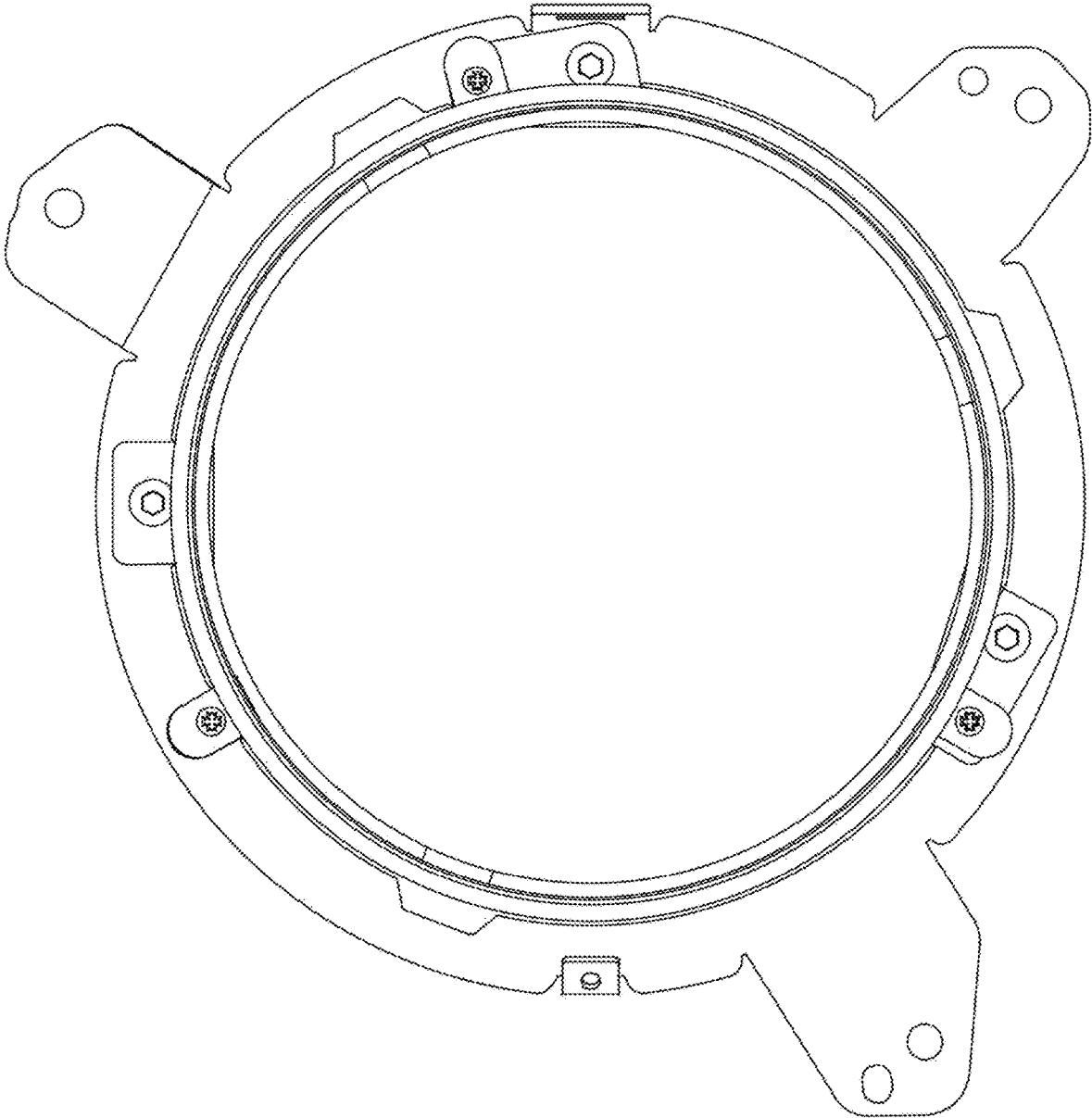


FIG.3

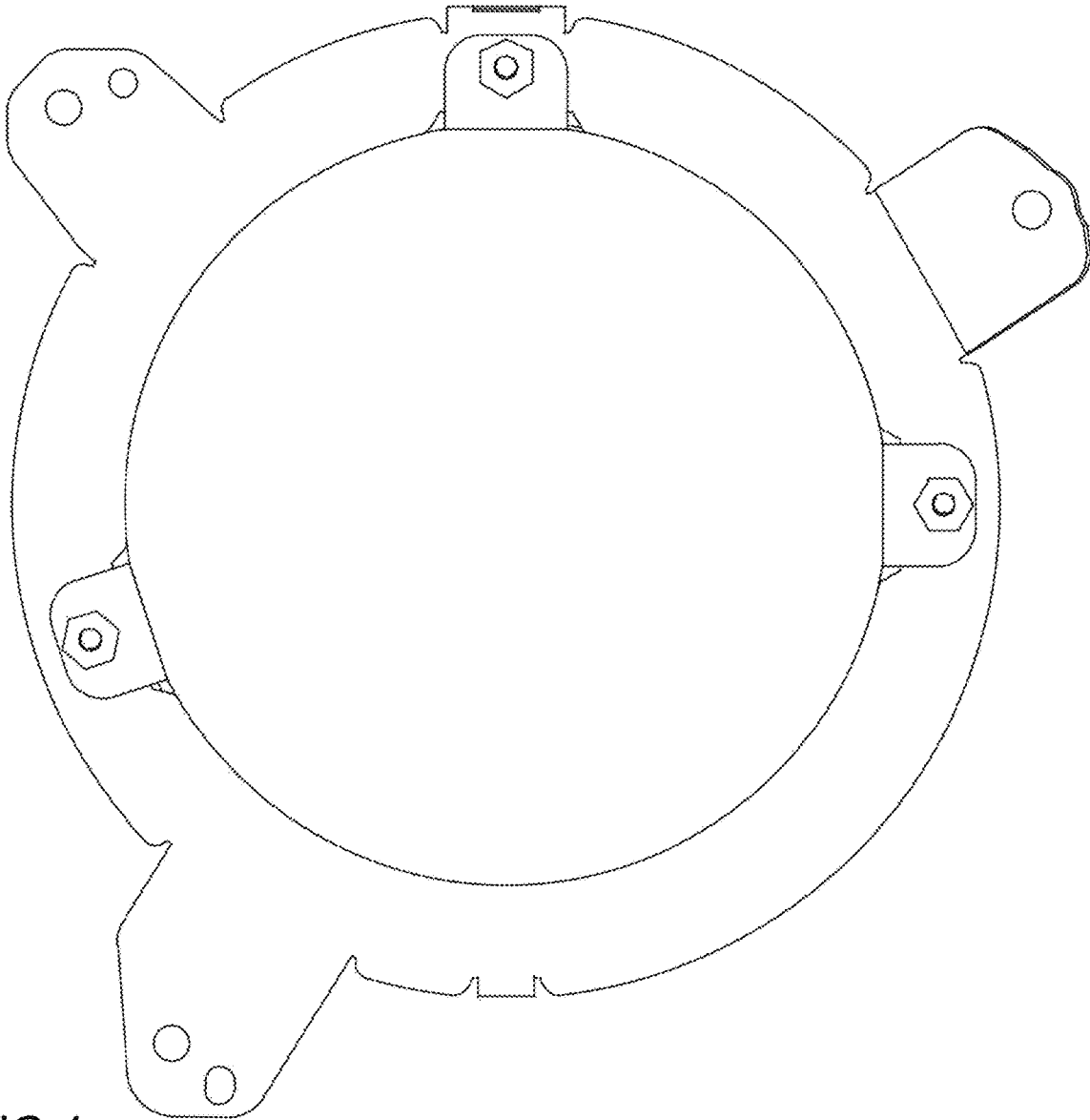


FIG.4

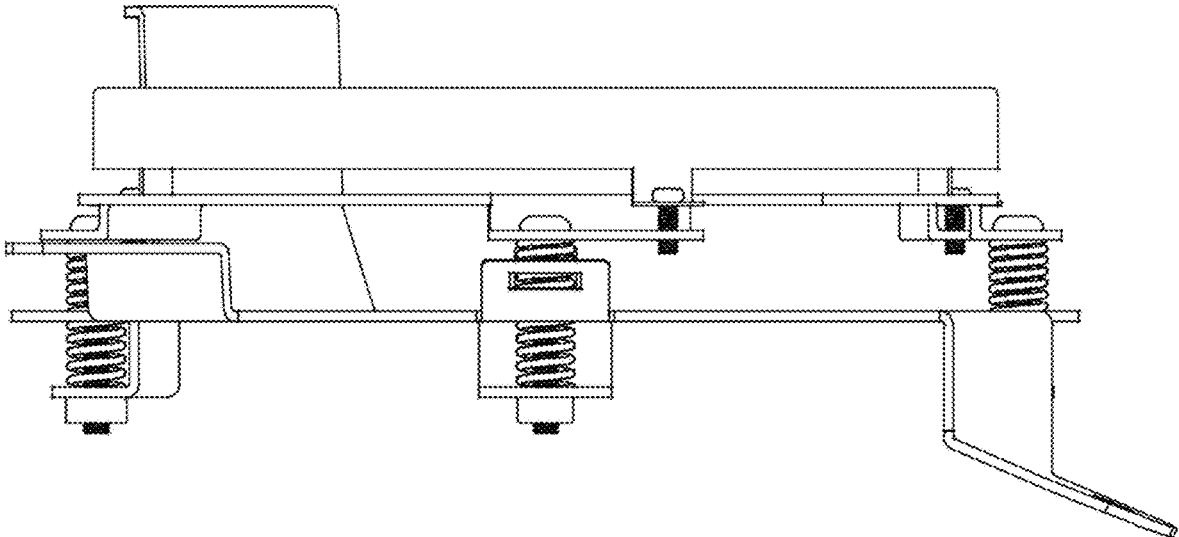


FIG.5

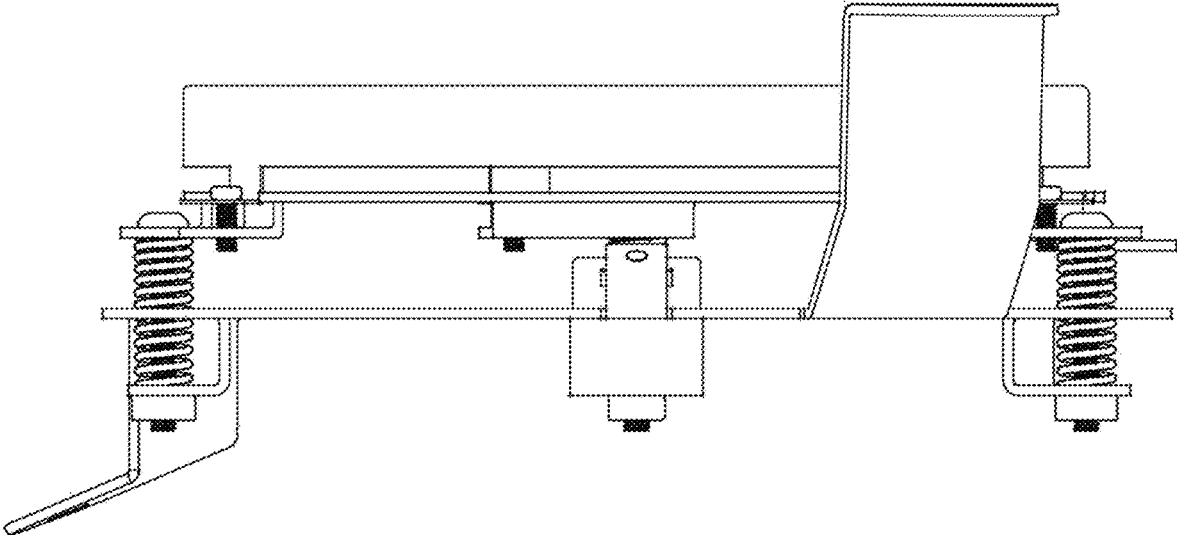


FIG.6

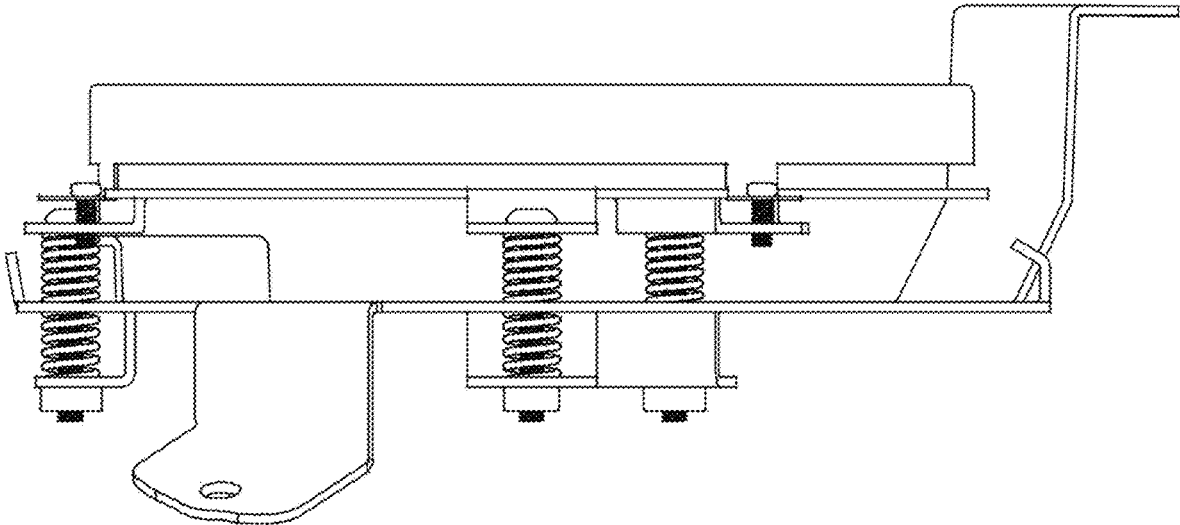


FIG.7

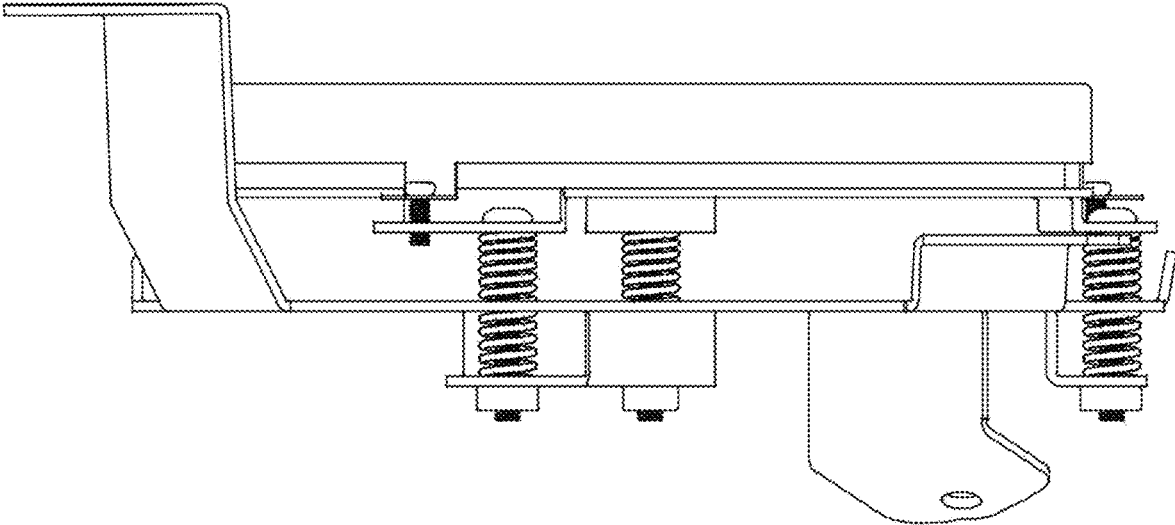


FIG.8