

(12) **UK Patent Application** (19) **GB** (11) **2 426 504** (13) **A**

(43) Date of A Publication **29.11.2006**

(21) Application No: **0601610.9**  
(22) Date of Filing: **26.01.2006**  
(30) Priority Data:  
(31) **200500070** (32) **26.05.2005** (33) **ID**

(71) Applicant(s):  
**Indra Muliadi Sugiharto**  
**No 19 Budisari I11, Bandung, Indonesia**

(72) Inventor(s):  
**Indra Muliadi Sugiharto**

(74) Agent and/or Address for Service:  
**Marks & Clerk**  
**90 Long Acre, LONDON, WC2E 9RA,**  
**United Kingdom**

(51) INT CL:  
**B65D 85/10** (2006.01)

(52) UK CL (Edition X):  
**B8P PA PAX PT**

(56) Documents Cited:  
**GB 2282129 A** **GB 2046218 A**  
**GB 1036133 A** **EP 1640292 A2**  
**EP 0884247 A1** **US 4989728 A**  
**US 4948038 A**

(58) Field of Search:  
INT CL **B65D**  
Other: **EPODOC, WPI**

(54) Abstract Title: **Cigarette packet**

(57) A cigarette packet includes matches and a surface for striking them. The matches may be in a slidable box 13 having the surface for striking on its bottom, the box being located in an extension at the base of the cigarette packet with a finger hole at one end for pushing the box out of the other end. The hinge of the flip top lid of the packet may be provided with a 'CLICK' device 10 to give an audible indication of opening of the packet. The device 10 may comprise two pieces of plastic or metal secured to the rear wall of the packet and its lid respectively to serve as a tamper-evident feature by 'clicking' on initial opening, which causes the device to rupture. Parts making up the packet are tightly glued so that the cigarettes are kept in air tight conditions, isolated from the matches and striker, until opening.

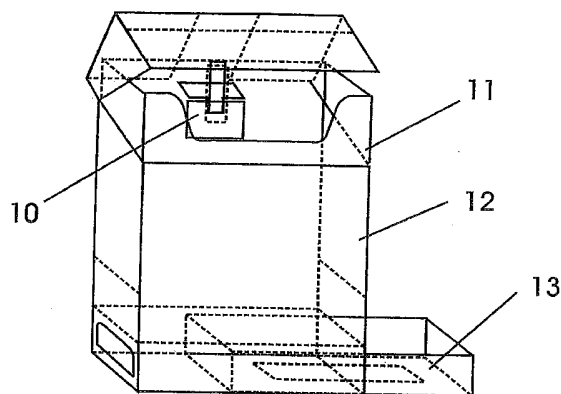


Figure 1

**GB 2 426 504 A**

1/5

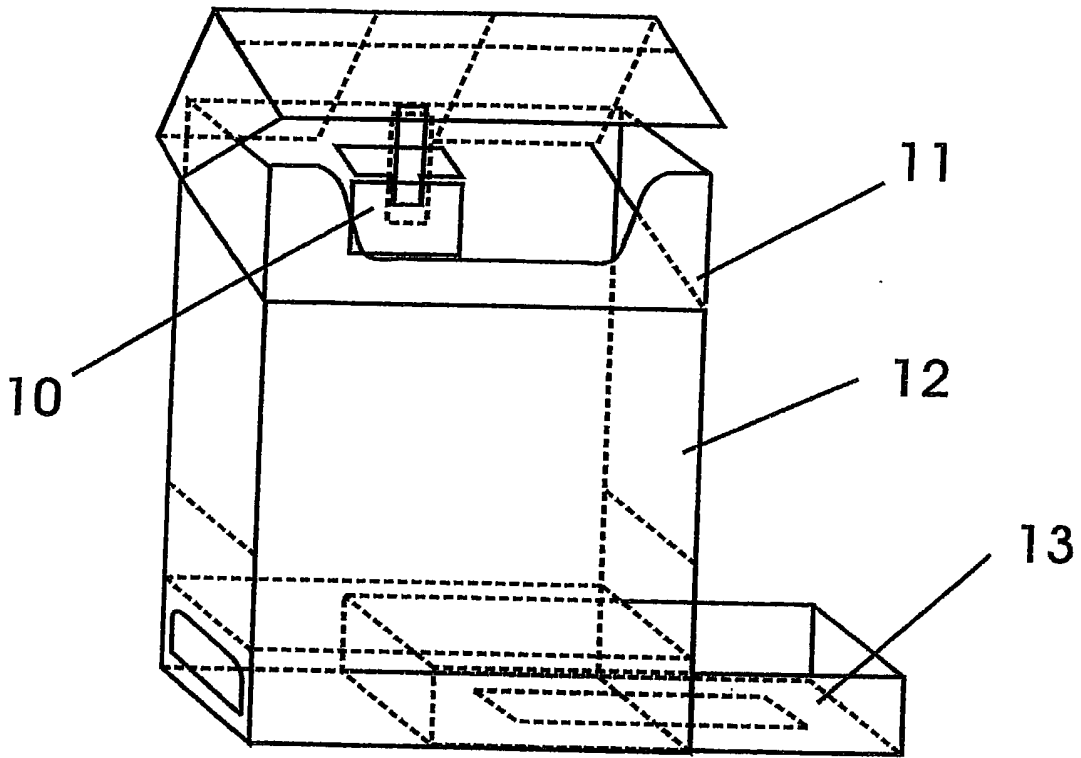
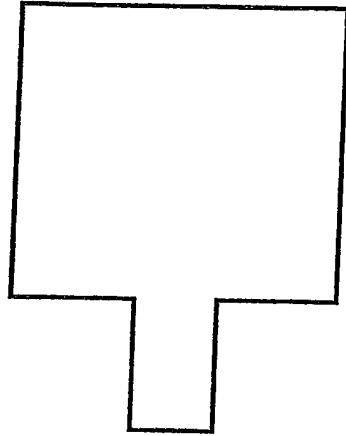


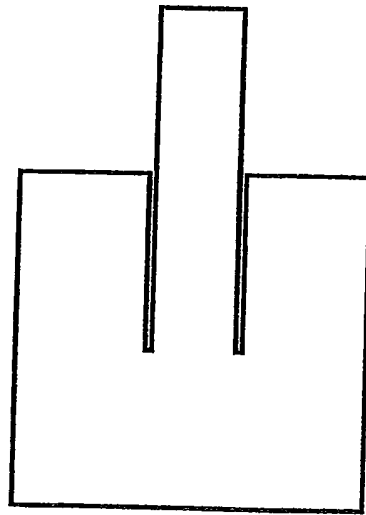
Figure 1

2/5



10a

**Figure 2**



10b

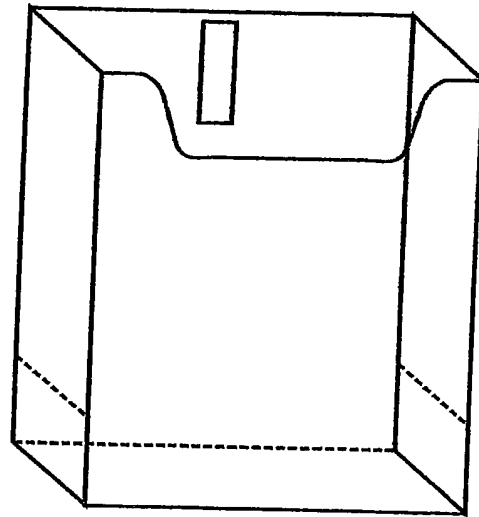
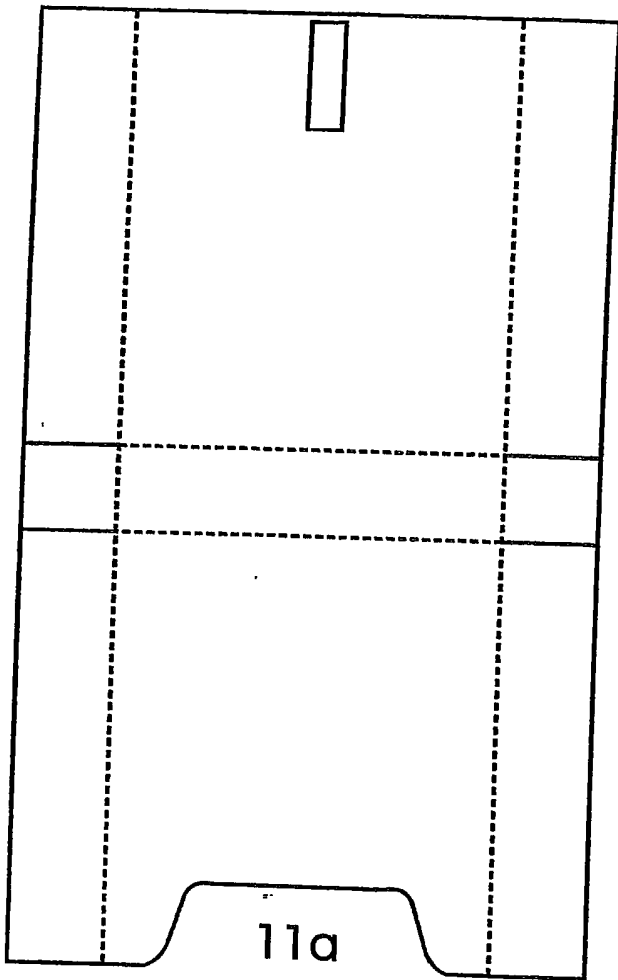


Figure 3

4/5

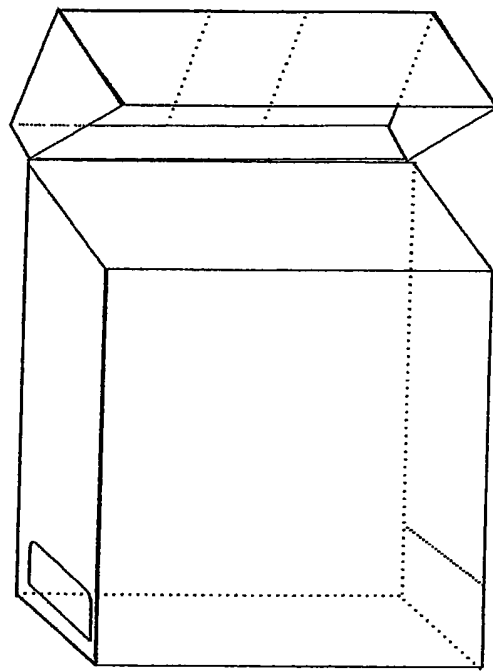
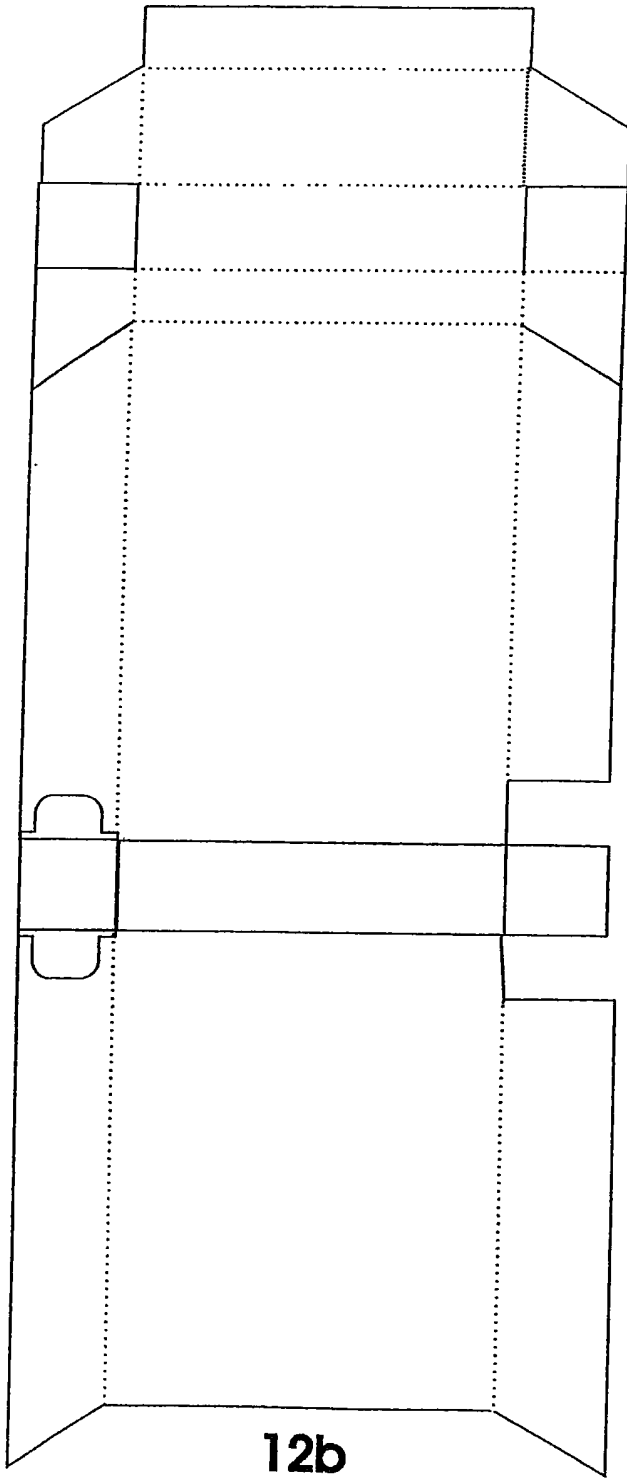
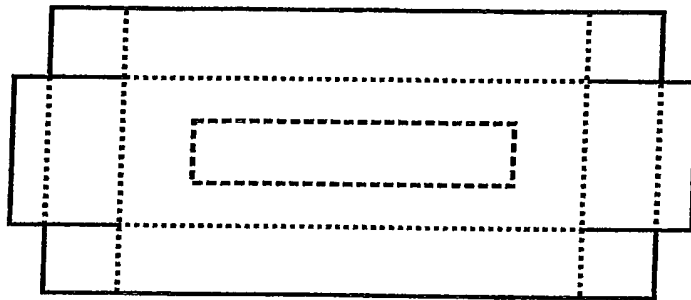
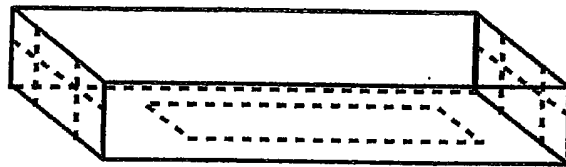


Figure 4

5/5



13a



13b



13c

Figure 5

### CIGARETTES PACKAGING

This invention concerns commonly used cigarettes packaging.

The packaging of cigarettes functioning as a wrapping for cigarettes must meet several requirements, among others: handy in its carrying and keeping, reducing or avoiding contamination with the air outside, reducing the effect caused by the heat of the sun or by humidity and convenient for handling at the time one is going to smoke. So far, most packaging is made of card-paper and when inside the cigarettes still have to be wrapped in aluminium foil in order that the quality of the taste and the aroma of the cigarettes are stable, the outside of the packaging being usually wrapped in a clear plastic foil.

Up to now cigarettes packaging only serves as a wrapping, so people have to reach for a lighter from some other place separated from the cigarettes packaging mentioned when they want to smoke.

It is an object of the invention to seek to mitigate these disadvantages.

According to the invention there is provided a cigarettes packaging, that is packaging for all kinds of cigarettes, comprising matches and striking paper contained in one package.

Using the invention it is possible to provide 2 in 1 cigarettes packaging, that is packaging, matches and striking paper all in one unit, so that it is not necessary to look for a lighter at a separate place when one wants to light a cigarette, because underneath the packaging there are matches and their striking paper which form one unit. To make it more practical, the number of matches would exceed the number of cigarettes.

**A brief explanation of the Drawings**

Fig. 1 is a perspective view of a 2 in 1 cigarettes and matches packaging using a 'CLICK' opening system according to the invention;

Fig. 2 is a plan view of the 'CLICK' opening system of Fig. 1;

Fig. 3 shows plan (left) and perspective (right) views of the inner parts of the packaging according to Fig. 1;

Fig. 4 shows plan (left) and perspective (right) views of the outer parts of the packaging according to Fig. 1; and

Fig. 5 shows respective plan and perspective views of a holder for matches and a plan view of a striking paper of the holder of Fig. 1.

Referring to the drawings, the 2 in 1 cigarettes and matches packaging using a 'CLICK' opening system embodying the invention (Fig. 1) consists of four parts as follows:-

1. 'CLICK' (10) opening system

This is a device made of elastic plastic or metal (Fig. 2) fitted on the inside of an outer part of the cigarettes packaging 12. The device 10 lies on a fold 10a and under the opening fold 10b at the outer part of the cigarettes packaging 12. The 'click' opening device 10 is such that it provides a tamper-evident feature to indicate when the packaging is first opened. Thus on first opening, there is an audible 'click' as a top of the packaging is opened and the device 10 is ruptured, to indicate that the packaging has been opened.

2. The inner part of the packaging 11.

This is the cigarettes packaging part situated on the inside (Fig. 3) of the outer part 12 of the packaging by sticking the outer side of the inner part 11 of the packaging to the inner side of the outer part of the packaging.



It should be noted that sticking the outer side of the inner part of the packaging 11 to the inner side of the outer part 12 of the packaging should be done evenly so that it sticks tightly to ensure no air pockets. As there are no air pockets, the smell of matches and striking paper 13 can be excluded and so it will not have an effect on the taste and the aroma of the cigarettes.

### 3. The outer part of the packaging 12.

This is the outer part of the packaging and how to make the outer part of the packaging 12 is illustrated by the line configuration of the outer part of the packaging (Fig. 4) which shows in detail and clearly by the line configuration of the outer part of the packaging a blank 12b from which the outer part 12 is formed, the blank 12b having fold lines, shown dotted in Fig. 4 about which the blank is folded to provide the outer part 12a with a hingeable lid and part for a holder for matches.

### 4. The matches and their striking paper 13.

This is a holder 13, made up from a blank 13a to form the holder for matches provided with an accompanying striking paper 13c placed underneath the matches holder 13b, so that it will not cause any staining when kept in the pocket of a user's clothing. It also acts to prevent the striking paper 13c from becoming damp when the cigarettes packaging is held in sweating or wet hands. The line configuration of the matches and striking paper packaging 13a illustrates how to make the packaging for the matches and the striking paper 13, in more detail and more clearly it is shown/drawn by the matches packaging prior to being attached/setup 13a, the line configuration of the matches and striking paper packaging after being attached/setup 13b and the line configuration of the striking paper 13c. In this part special attention should be given to the attachment/fitting of the striking paper, it has to be placed underneath the matches and striking paper packaging after being setup/attached, 13b.

To maintain the taste and aroma of all kinds of cigarettes, the quality of the packaging is a determining factor.

Every time a smoker wants to smoke, he has to get hold of a lighter as so far as the cigarettes and the lighters are available separately. In order to make it more handy, a 2 in 1 cigarettes packaging has been invented as shown in and described with reference to the drawings using a 'CLICK' opening system, which can accommodate all kinds of cigarettes and underneath the packaging, matches and their striking paper are available as one unit without diminishing the function of packaging and it still meets the requirements of the packaging of all kinds of cigarettes explained above.

The preceding explanation of the invention is represented for the purpose of illustration and description. It should be understood that what has been explained is not limited to only those mentioned above. The consequence is that all variations and modifications that can be made by the experts upon the 2 in 1 cigarettes packaging using the 'CLICK' system as explained above is considered as inclusive in this invention.

It will be understood that the term "cigarettes" refers to similar smokers' items such as cigarillos and cigars.

**CLAIMS**

1. A cigarettes packaging, that is packaging for all kinds of cigarettes, comprising matches and striking paper contained in one package.
2. A 2 in 1 cigarettes packaging according to Claim 1, comprising a 'CLICK' system; an inner part of the cigarettes packaging; an outer part of the cigarettes packaging; and matches and striking paper; which is characterised by the placing of the 'CLICK' opening system, the outer part of the inner cigarettes packaging closely attached to the inner part of the outer cigarettes packaging, and the placing of the matches with the striking paper which is placed under the outer cigarettes packaging which can be opened by pushing through a push-hole.
3. A 2 in 1 cigarettes packaging according to Claim 1 or Claim 2, which is characterised by the 'CLICK' opening system of the cigarettes packaging, the inner cigarettes packaging, the outer cigarettes packaging, and the packaging of the matches and the striking paper being one unit.
4. A 2 in 1 cigarettes packaging according to any of the preceding claims, which is characterised by the system of an even glueing between the inner cigarettes packaging and the outer cigarettes packaging, those two parts being so tightly glued that no air pockets exist causing the cigarettes to be free from the smell coming from the matches and the striking paper.
5. A 'CLICK' opening system of the packaging according to any preceding claim, which is characterised by its consisting of two pieces of plastic or metal which are laid between the folds and under the folds of the outer packaging.

6. A 2 in 1 cigarettes packaging, substantially as hereinbefore described with reference to the accompanying drawings.

7

**Application No:** GB0601610.9

**Examiner:** Stephen Smith

**Claims searched:** 1-4, 6

**Date of search:** 9 May 2006

**Patents Act 1977: Search Report under Section 17**

**Documents considered to be relevant:**

Category	Relevant to claims	Identity of document and passage or figure of particular relevance
X,Y	X:1, 4; Y:2, 3	US 4989728 A (NEYRET) lines 20-27 of column 4
X	1, 4	GB 2282129 A (GANESHMOORTHY) lines 8-15 of page 3
X	1, 4	GB 2046218 A (HWANG) lines 60-80 of page 1
X	1, 4	GB 1036133 A (BULLOUGH) lines 51-79 of page 2
Y	2, 3	US 4948038 A (MOELLER) lines 7-30 of column 2
Y	2, 3	EP 0884247 A1 (JAPAN TOBACCO) lines 19-29 of column 2
A,E	-	EP 1640292 A2 (GD SpA) paragraphs 0021-0024

**Categories:**

X Document indicating lack of novelty or inventive step	A Document indicating technological background and/or state of the art.
Y Document indicating lack of inventive step if combined with one or more other documents of same category	P Document published on or after the declared priority date but before the filing date of this invention.
& Member of the same patent family	E Patent document published on or after, but with priority date earlier than, the filing date of this application.

**Field of Search:**

Search of GB, EP, WO & US patent documents classified in the following areas of the UKC<sup>X</sup> :

Worldwide search of patent documents classified in the following areas of the IPC

The following online and other databases have been used in the preparation of this search report



8

EPODOC, WPI