



US00D704369S

(12) **United States Design Patent**
Lindsley et al.

(10) **Patent No.:** **US D704,369 S**

(45) **Date of Patent:** **** May 6, 2014**

(54) **WALL LUMINAIRE**

(76) Inventors: **Alan Lindsley**, Orinda, CA (US); **Karen Jess-Lindsley**, Orinda, CA (US)

(**) Term: **14 Years**

(21) Appl. No.: **29/418,595**

(22) Filed: **Apr. 18, 2012**

(51) **LOC (10) Cl.** **26-03**

(52) **U.S. Cl.**

USPC **D26/63**

(58) **Field of Classification Search**

USPC D26/21, 24, 61, 63, 72, 75, 76, 78, 92;
362/217.1, 217.01–217.17, 218–225,
362/148–150, 89, 153, 257

See application file for complete search history.

(56) **References Cited**

U.S. PATENT DOCUMENTS

D354,578 S *	1/1995	Houssin et al.	D26/63
D360,049 S *	7/1995	Shemitz	D26/63
D377,990 S *	2/1997	Nakano	D26/63
D439,355 S *	3/2001	Ford	D26/63

D472,339 S *	3/2003	Russello et al.	D26/63
D489,472 S *	5/2004	Newhouse et al.	D26/61
D623,326 S *	9/2010	Chen	D26/63

* cited by examiner

Primary Examiner — Brian N Vinson

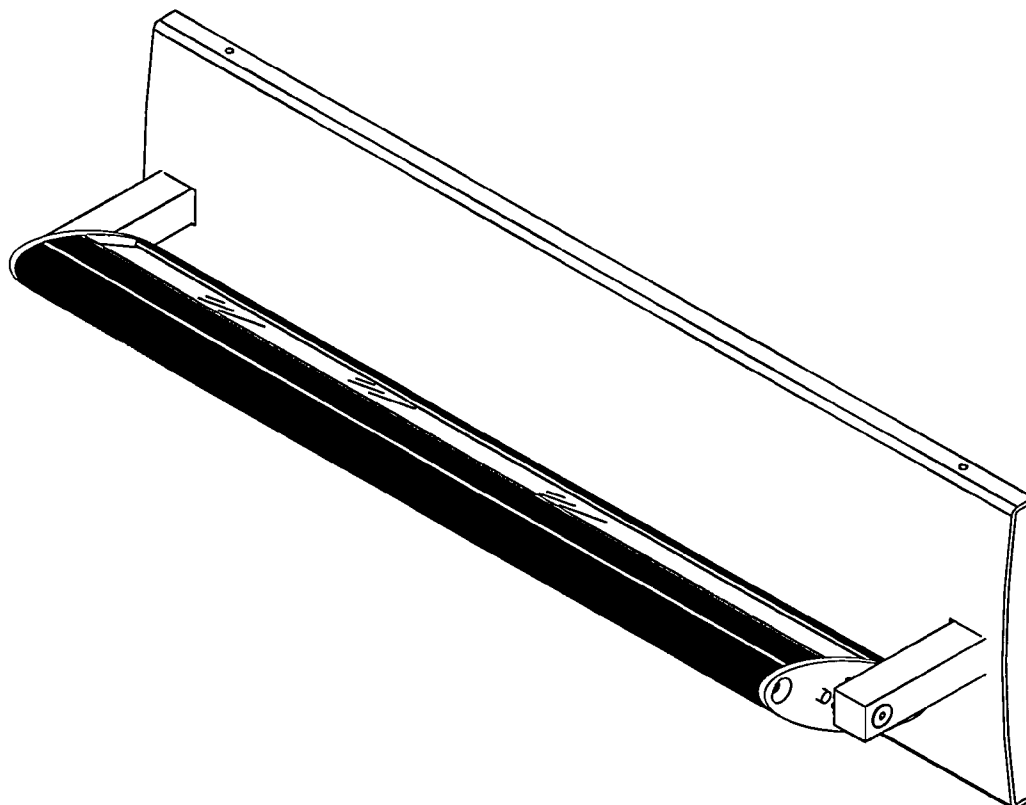
(57) **CLAIM**

The ornamental design for the wall luminaire, as shown and described.

DESCRIPTION

FIG. 1 is a top, front, and right side perspective view of a wall luminaire showing our new design;
 FIG. 2 is a left side elevational view thereof;
 FIG. 3 is a right side elevational view thereof;
 FIG. 4 is a bottom plan view thereof;
 FIG. 5 is a top plan view thereof;
 FIG. 6 is a left side elevational view thereof, shown in an alternate position;
 FIG. 7 is a left side elevational view thereof, shown in another alternate position; and,
 FIG. 8 is a left side elevational view thereof, shown in a further alternate position.

1 Claim, 8 Drawing Sheets



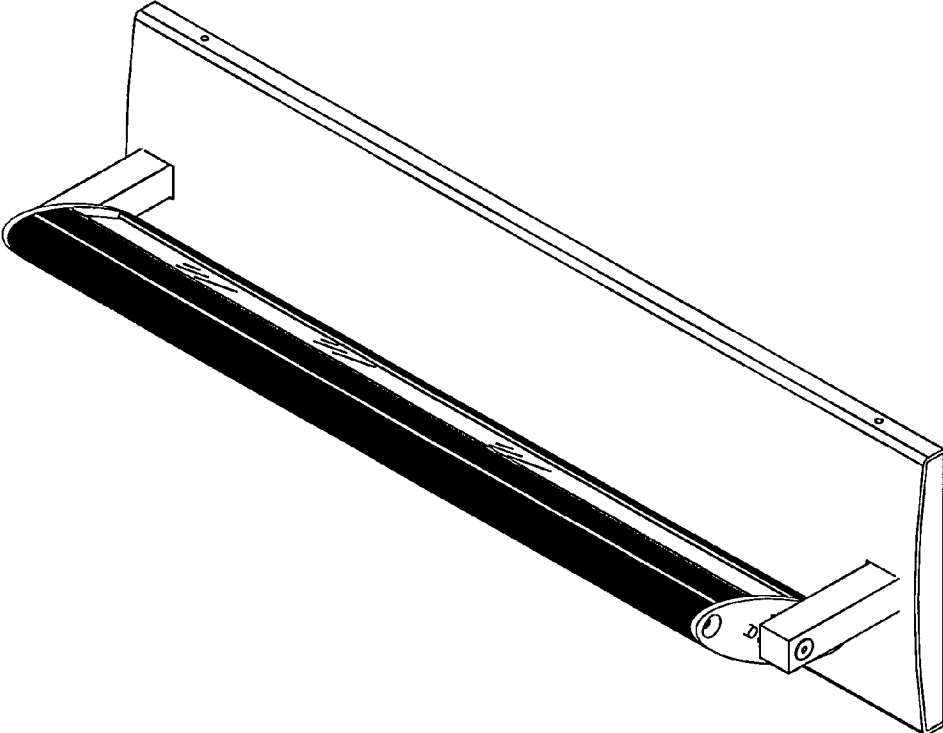


Fig. 1

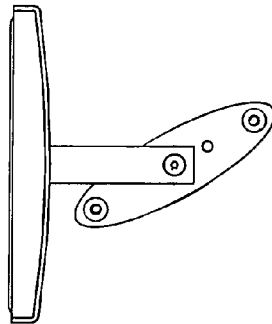


Fig. 2

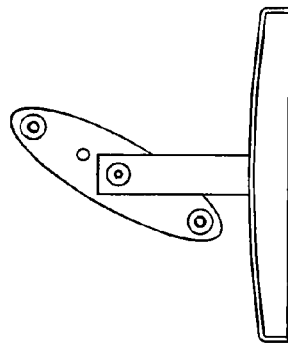


Fig. 3

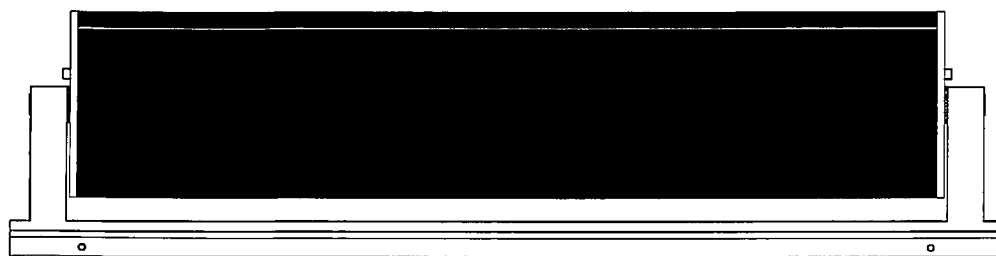


Fig. 4

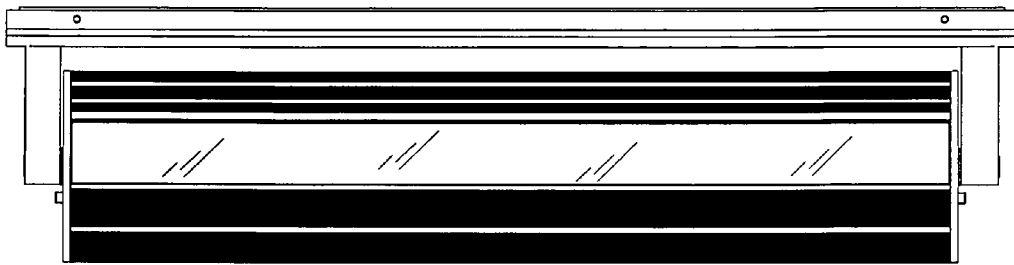


Fig. 5

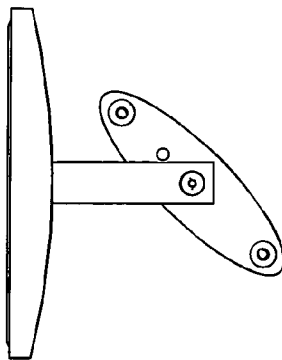


Fig. 6

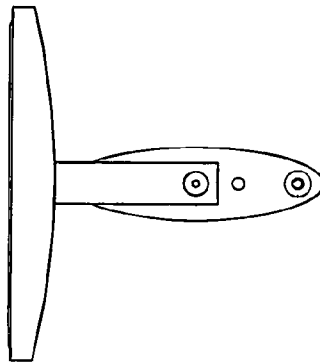


Fig. 7

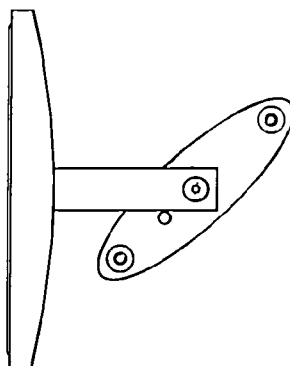


Fig. 8