



US00D630070S

(12) **United States Design Patent**  
**Mazur**

(10) **Patent No.:** **US D630,070 S**

(45) **Date of Patent:** **\*\* Jan. 4, 2011**

(54) **JAR AND BOTTLE OPENER**

(76) Inventor: **Robert Gerhard Mazur**, 3012 Barclay Way, Ann Arbor, MI (US) 48105

(\*\*) Term: **14 Years**

(21) Appl. No.: **29/314,213**

(22) Filed: **Mar. 14, 2009**

(51) **LOC (9) Cl.** ..... **07-99**

(52) **U.S. Cl.** ..... **D8/38**

(58) **Field of Classification Search** ..... D8/14,  
D8/16-19, 33-43, 88, 89; 7/151; 81/3.07,  
81/3.09, 3.22, 3.29, 3.35, 3.37, 3.4, 3.55

See application file for complete search history.

(56) **References Cited**

U.S. PATENT DOCUMENTS

D273,555 S *	4/1984	Tanner	.....	D8/40
D303,345 S *	9/1989	Sawatsky et al.	.....	D8/40
D313,732 S *	1/1991	Adcock	.....	D8/38
D440,134 S *	4/2001	Brix-Hansen	.....	D8/33

D462,000 S *	8/2002	Hightower	.....	D8/40
D492,557 S *	7/2004	Mazur	.....	D8/38
D580,245 S *	11/2008	Mazur	.....	D8/38
2003/0150297 A1 *	8/2003	Mazur	.....	81/3.09
2004/0111803 A1 *	6/2004	Mazur	.....	7/156
2008/0011127 A1 *	1/2008	Mazur	.....	81/3.09
2008/0092303 A1 *	4/2008	Mazur	.....	7/151

\* cited by examiner

*Primary Examiner*—Garth Rademaker

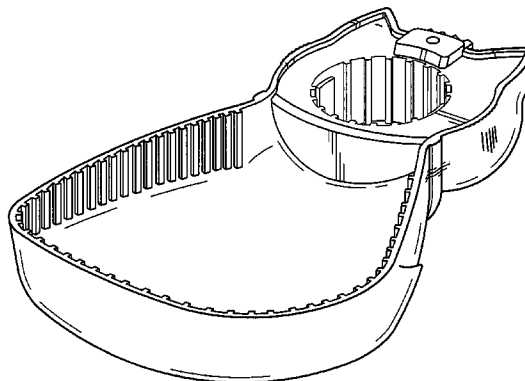
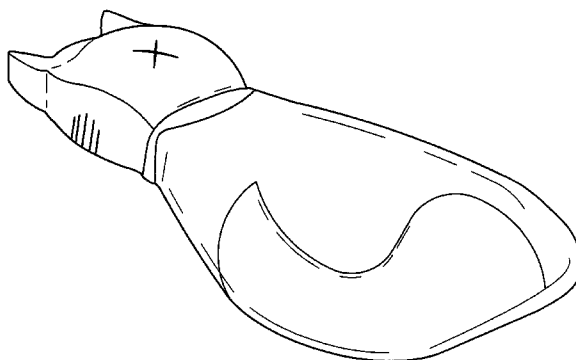
(57) **CLAIM**

The ornamental design for a jar and bottle opener, as shown.

**DESCRIPTION**

FIG. 1 is a top perspective view of a jar and bottle opener;  
FIG. 2 is a top plan view thereof;  
FIG. 3 is a bottom plan view thereof;  
FIG. 4 is a right side elevational view thereof; and,  
FIG. 5 is a bottom perspective view thereof.

**1 Claim, 3 Drawing Sheets**



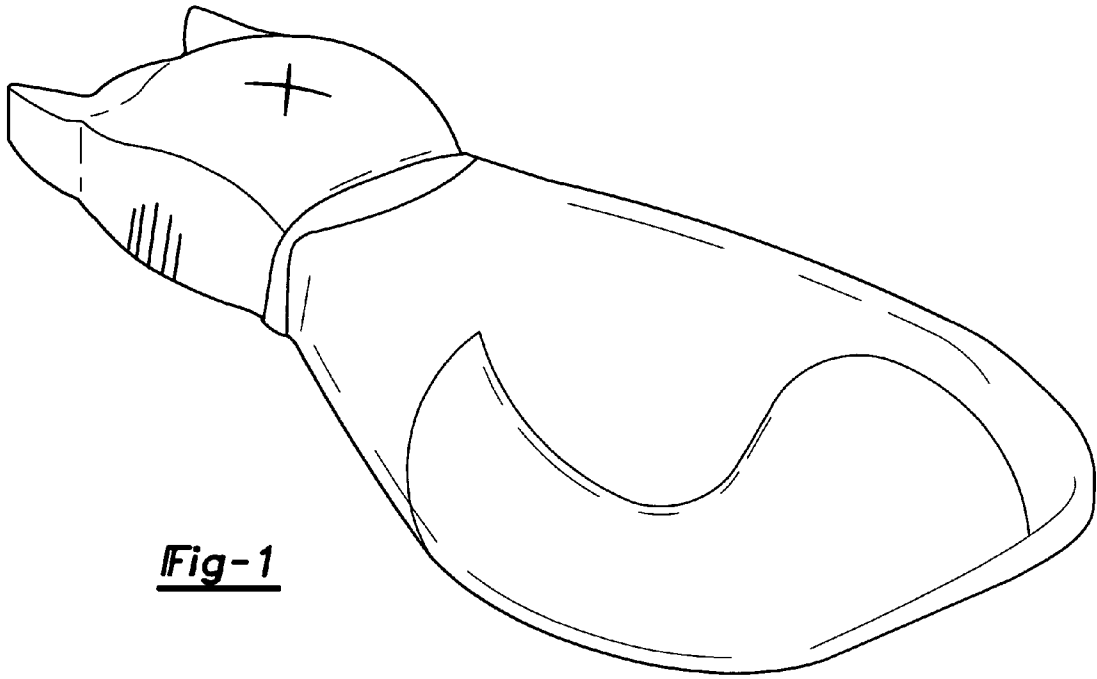


Fig-1

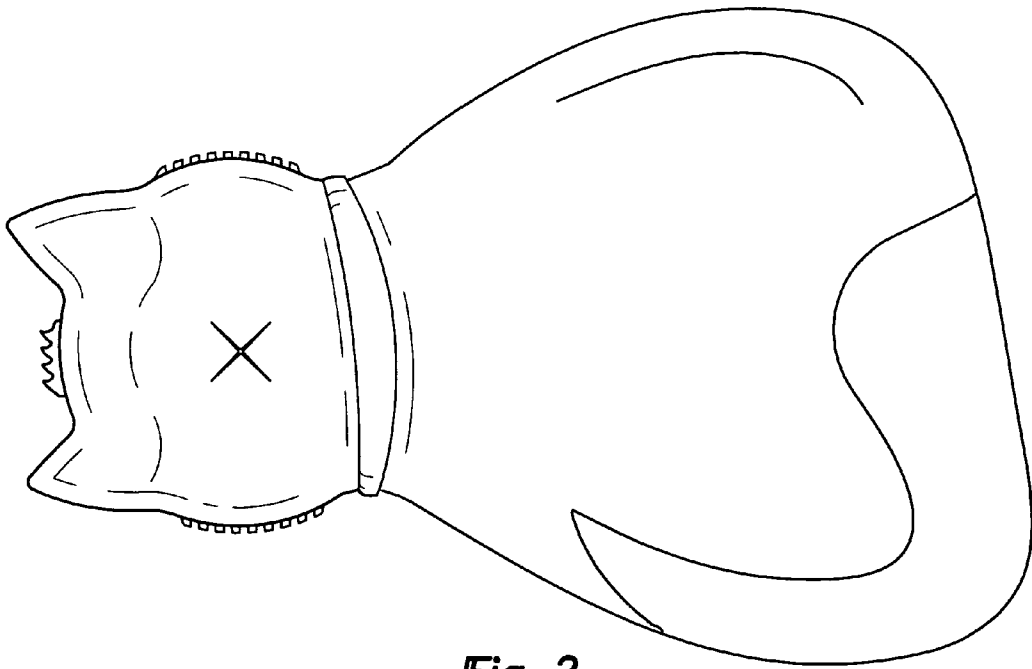


Fig-2

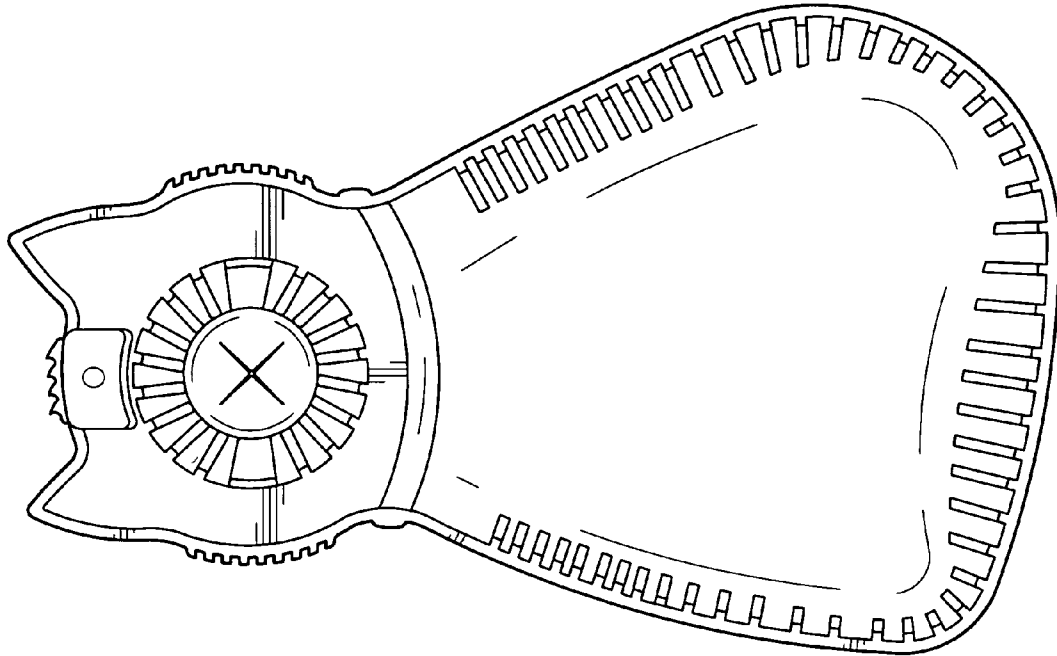


Fig-3

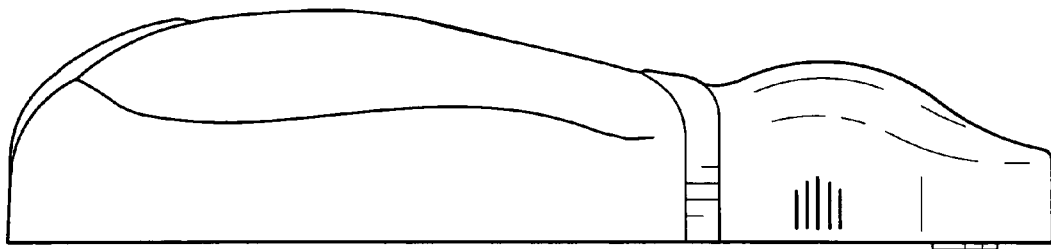


Fig-4

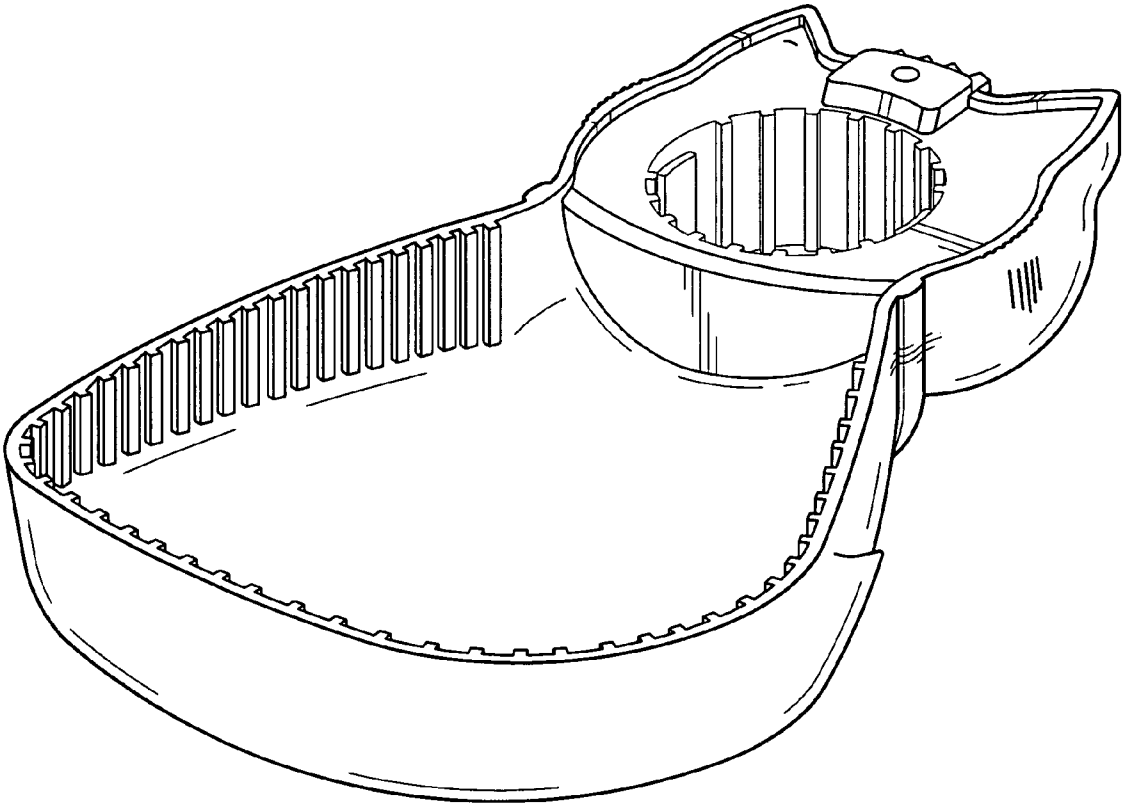


Fig-5