



US00D638443S

(12) **United States Design Patent**
Akana et al.

(10) **Patent No.:** **US D638,443 S**

(45) **Date of Patent:** **** May 24, 2011**

(54) **ELECTRONIC DEVICE**

(75) Inventors: **Jody Akana**, San Francisco, CA (US);
Bartley K. Andre, Menlo Park, CA (US);
Jeremy Bataillou, San Francisco, CA (US);
Daniel J. Coster, San Francisco, CA (US);
Daniele De Iulius, San Francisco, CA (US);
Evans Hankey, San Francisco, CA (US);
Richard P. Howarth, San Francisco, CA (US);
Jonathan P. Ive, San Francisco, CA (US);
Duncan Robert Kerr, San Francisco, CA (US);
Shin Nishibori, Portola Valley, CA (US);
Matthew Dean Rohrbach, San Francisco, CA (US);
Peter Russell-Clarke, San Francisco, CA (US);
Christopher J. Stringer, Woodside, CA (US);
Eugene Antony Whang, San Francisco, CA (US);
Rico Zorkendorfer, San Francisco, CA (US)

(73) Assignee: **Apple Inc.**, Cupertino, CA (US)

(**) Term: **14 Years**

(21) Appl. No.: **29/367,998**

(22) Filed: **Aug. 16, 2010**

(51) **LOC (9) Cl.** **14-03**

(52) **U.S. Cl.** **D14/496; D14/203.3**

(58) **Field of Classification Search** D14/496,
D14/401, 435, 474, 483, 217, 137, 138, 160,
D14/168, 356, 203.1-203.8, 507; 345/156,
345/169, 173-179, 905; 715/727-729, 864;
710/1, 5, 8; 713/1, 600; 455/1.1, 1.7, 73,
455/344-347, 93, 95, 3.01-3.06, 550.1, 573.1;
370/342-344; 369/1, 2, 6-12; 463/43-47;
273/148 B

See application file for complete search history.

(56) **References Cited**

U.S. PATENT DOCUMENTS

D315,159 S 3/1991 Hino

5,128,829 A *	7/1992	Loew	361/679.3
D410,463 S	6/1999	Hattori	
6,122,526 A *	9/2000	Parulski et al.	455/556.1
6,354,477 B1 *	3/2002	Trummer	224/575
D467,891 S	12/2002	Tokioka et al.	
6,567,011 B1 *	5/2003	Young et al.	340/12.28
6,595,860 B1 *	7/2003	Yamamoto et al.	463/43
D478,076 S *	8/2003	Hong	D14/345
D512,977 S	12/2005	Chan	
D521,460 S	5/2006	Shimizu	
D529,044 S	9/2006	Andre et al.	
D531,157 S	10/2006	Lheem	

(Continued)

OTHER PUBLICATIONS

U.S. Appl. No. 29/379,225, Andre et al., "Media Device", filed Nov. 16, 2010.

Primary Examiner — Prabhakar Deshmukh
(74) *Attorney, Agent, or Firm* — Sterne, Kessler, Goldstein & Fox PLLC

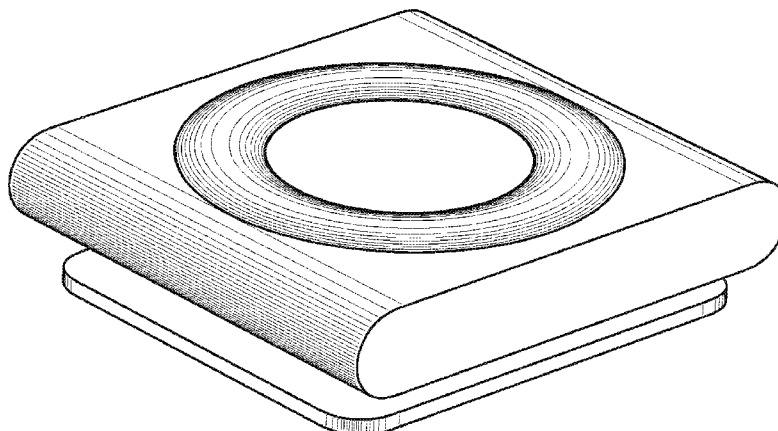
(57) **CLAIM**

The ornamental design for an electronic device, as shown and described.

DESCRIPTION

FIG. 1 is a bottom front perspective view of an electronic device showing our new design;
FIG. 2 is a bottom rear perspective view thereof;
FIG. 3 is a top rear perspective thereof;
FIG. 4 is a top front perspective thereof;
FIG. 5 is a front view thereof;
FIG. 6 is a rear view thereof;
FIG. 7 is a bottom elevational view thereof;
FIG. 8 is a top elevational view thereof;
FIG. 9 is a left side elevational view thereof; and,
FIG. 10 is a right side elevational view thereof.
The shade lines in the Figures show contour and not surface ornamentation.
The broken lines in the Figures show portions of the electronic device which form no part of the claimed design.

1 Claim, 8 Drawing Sheets



US D638,443 S

Page 2

U.S. PATENT DOCUMENTS

D535,308 S	1/2007	Andre et al.	
D535,650 S	1/2007	Wong et al.	
D538,795 S	3/2007	Wong et al.	
D542,784 S	5/2007	Franck et al.	
D555,171 S *	11/2007	Dai	D14/496
D556,155 S	11/2007	Andre et al.	
7,310,083 B2	12/2007	Hagiwara et al.	
D558,783 S	1/2008	Andre et al.	
D559,860 S	1/2008	Andre et al.	
D559,861 S	1/2008	Andre et al.	
D560,212 S	1/2008	Andre et al.	
D560,228 S	1/2008	Andre et al.	
D563,434 S *	3/2008	Dai	D14/496
D569,389 S	5/2008	Andre et al.	
D588,610 S	3/2009	Andre et al.	
D589,497 S	3/2009	Andre et al.	
D589,530 S	3/2009	Andre et al.	
D590,826 S *	4/2009	Andre et al.	D14/341
D601,172 S	9/2009	Andre et al.	
D615,069 S	5/2010	Andre et al.	
D616,899 S	6/2010	Andre et al.	
D627,367 S	11/2010	Andre et al.	

* cited by examiner

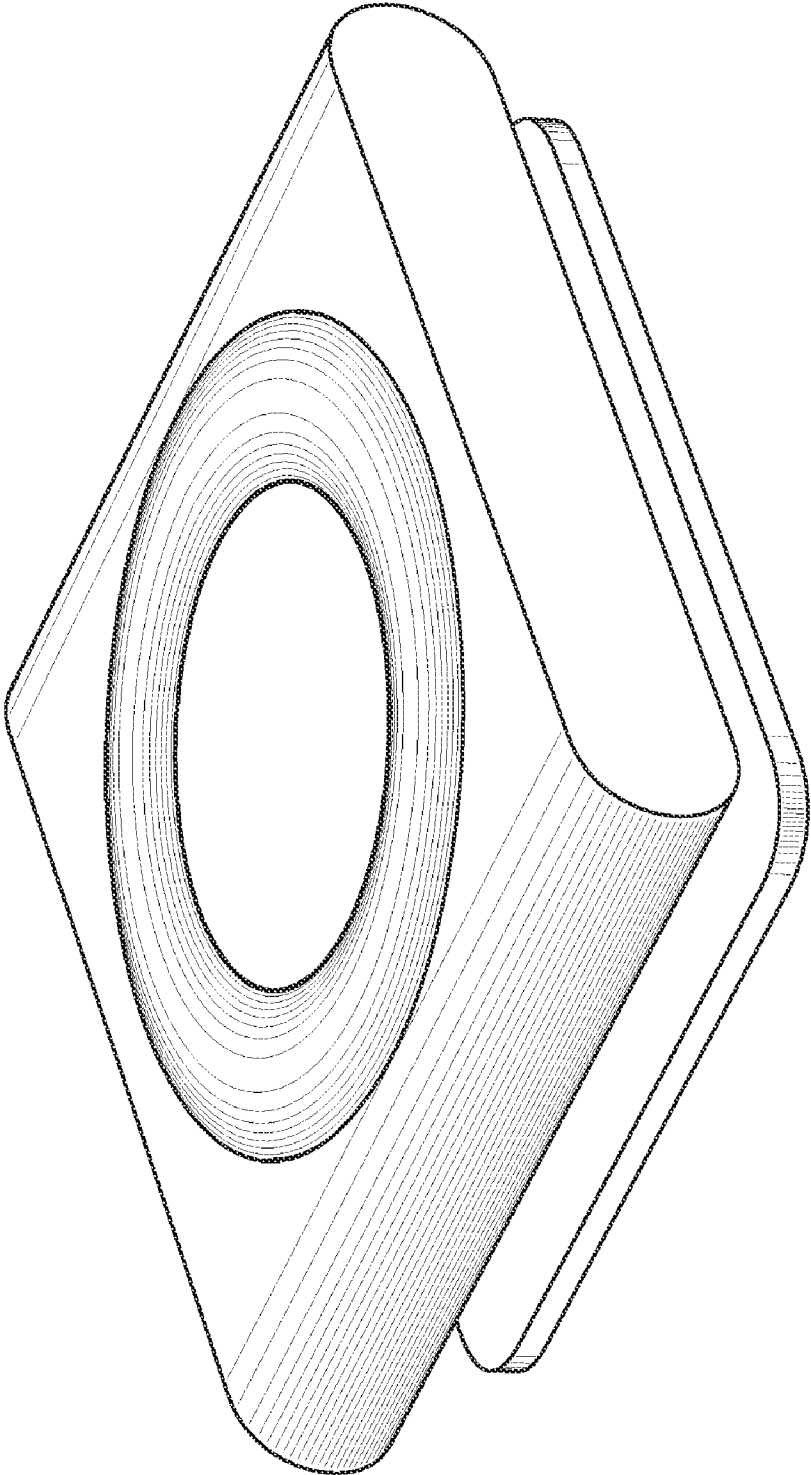


FIG. 1

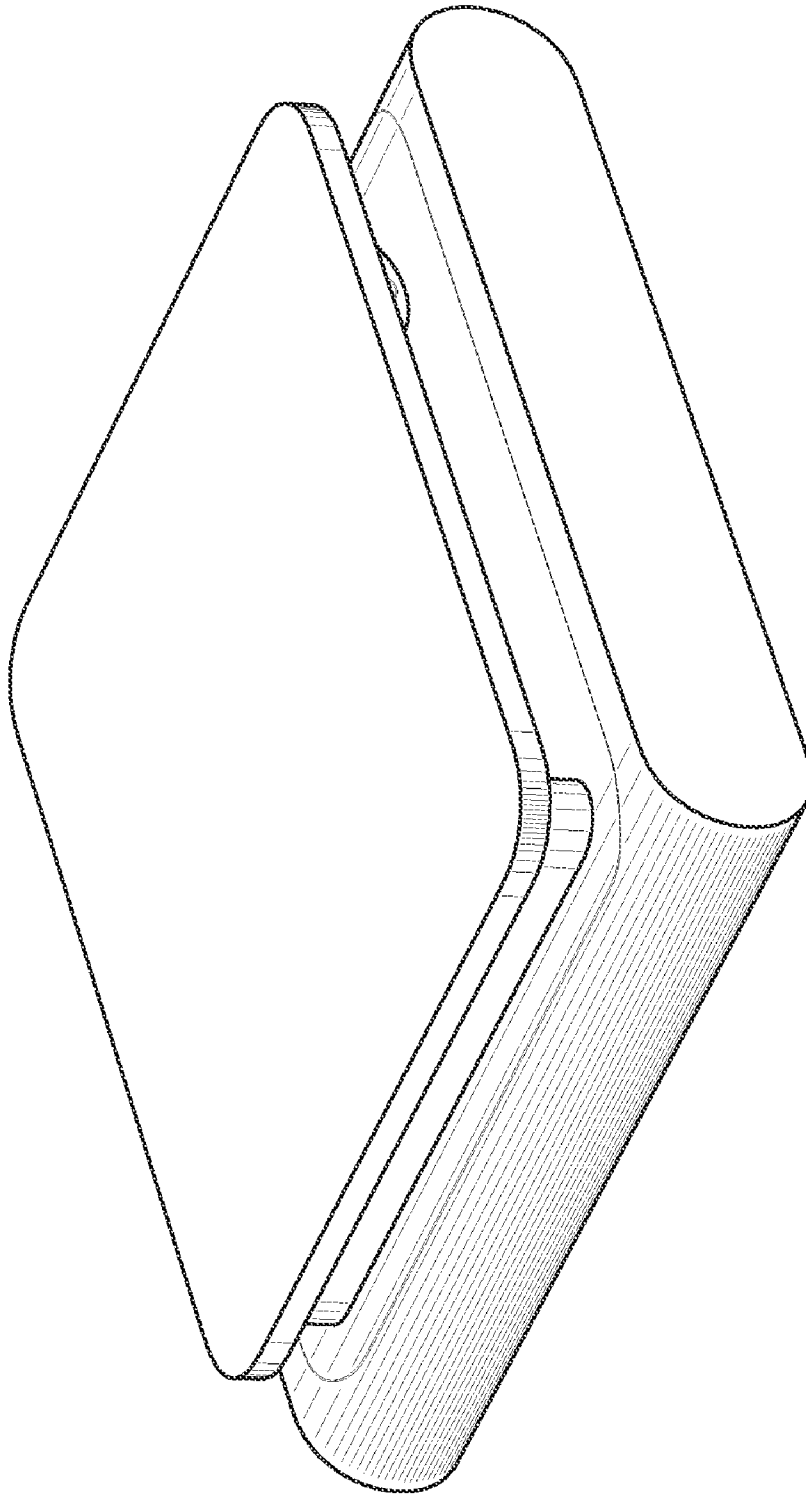


FIG. 2

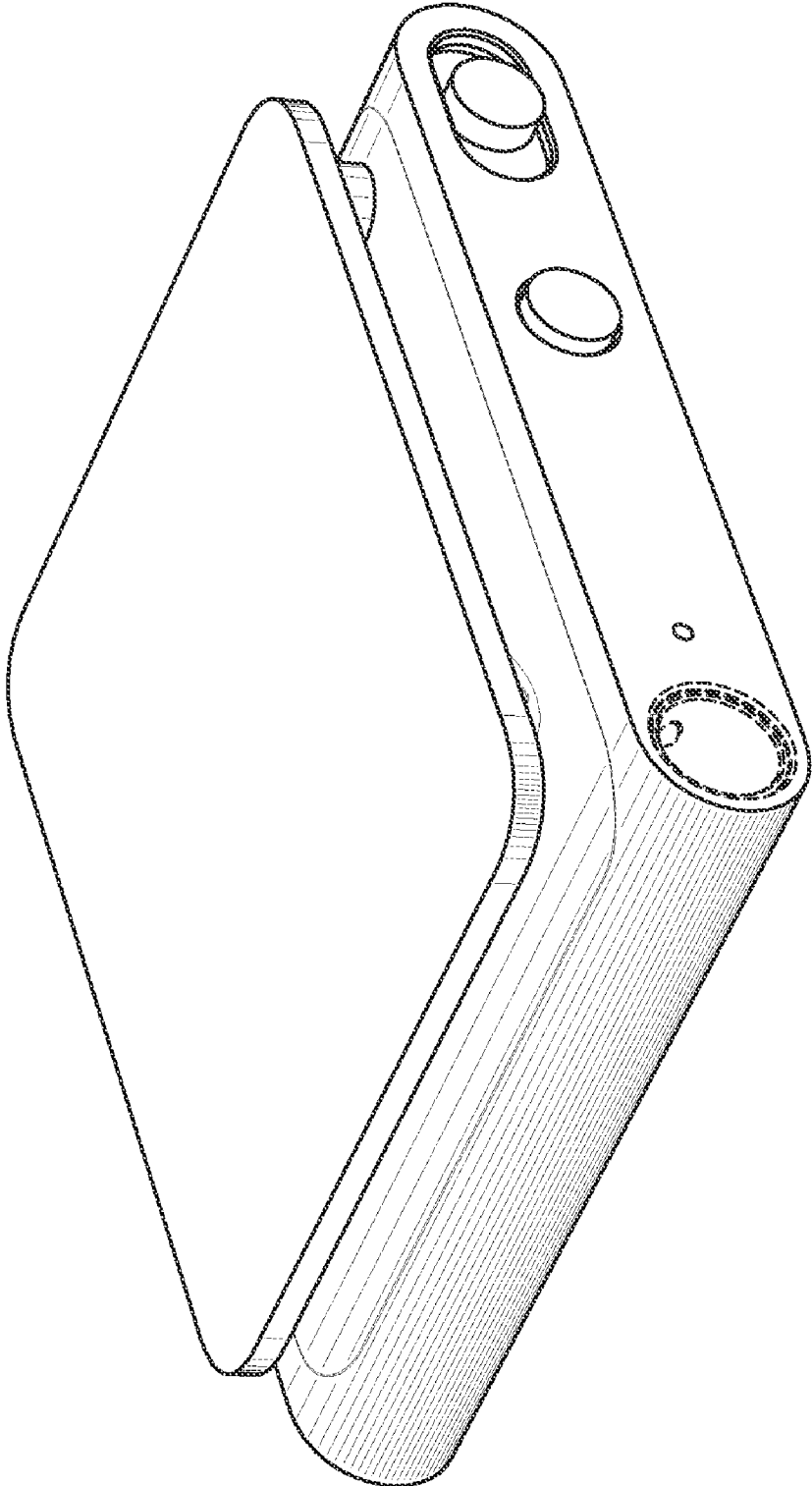


FIG. 3

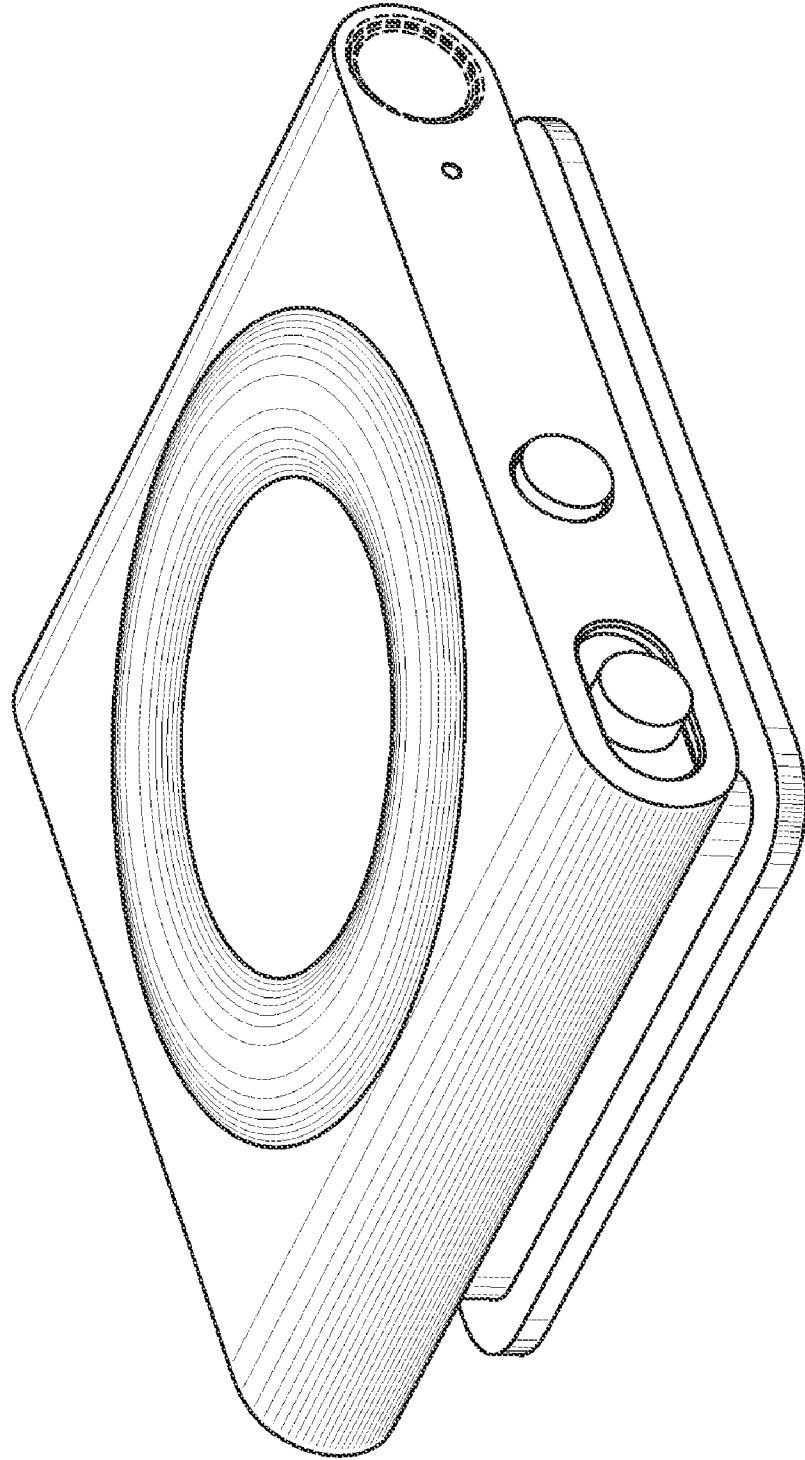


FIG. 4

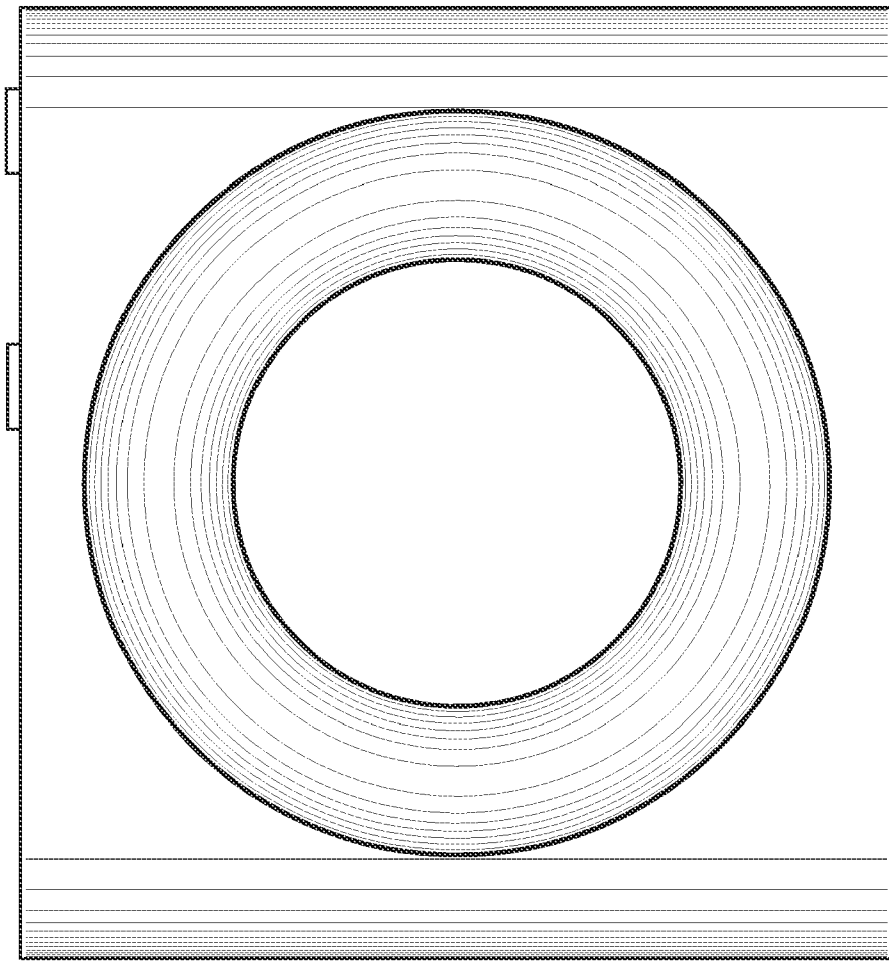


FIG. 5

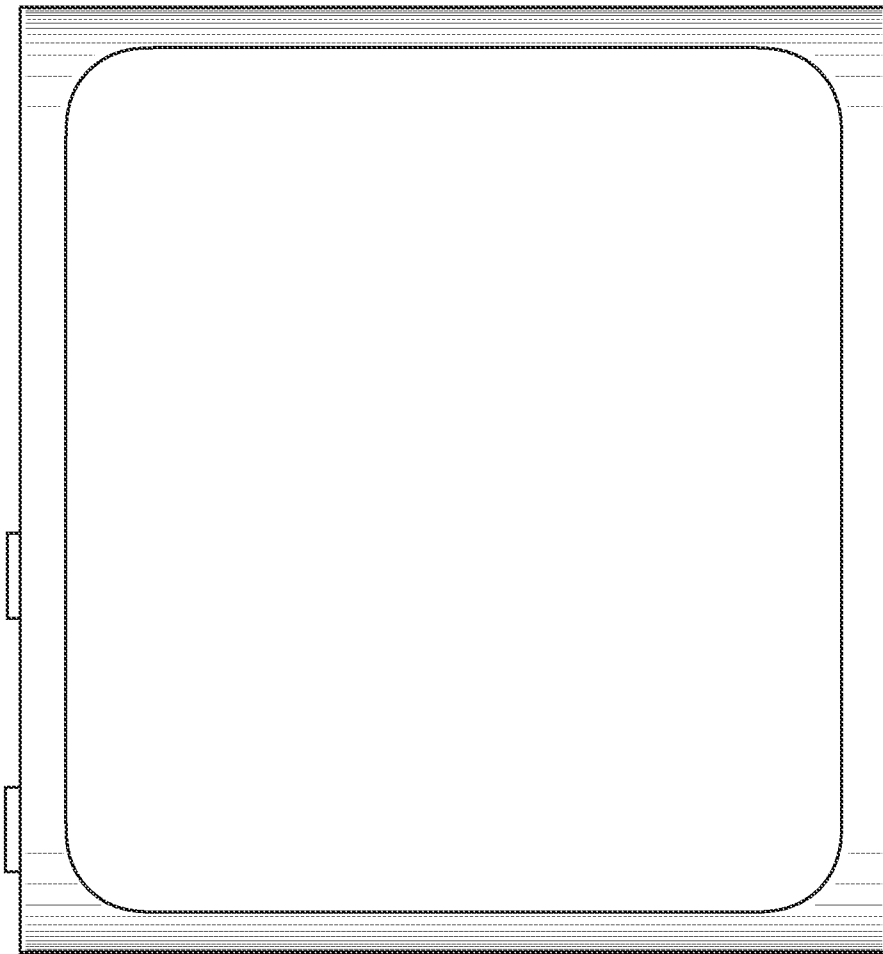


FIG. 6

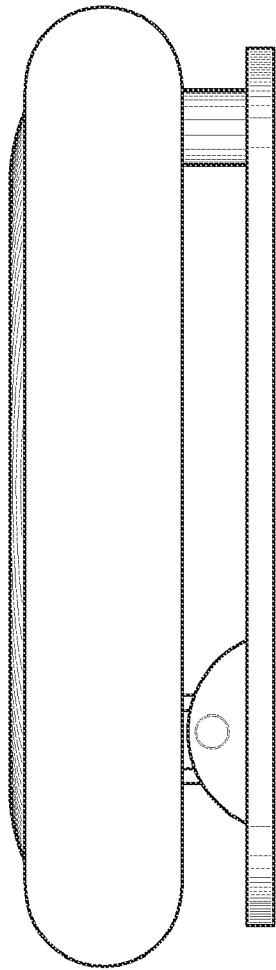


FIG. 7

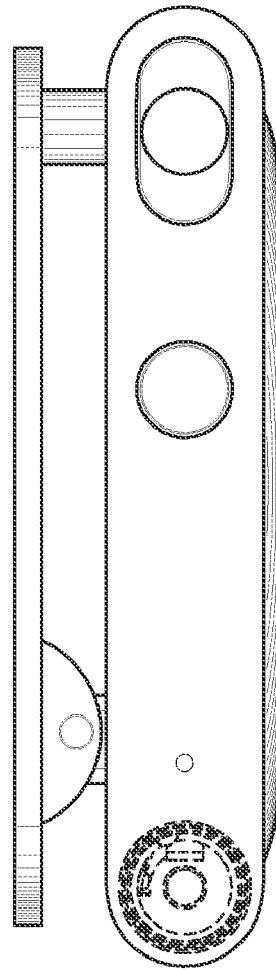


FIG. 8

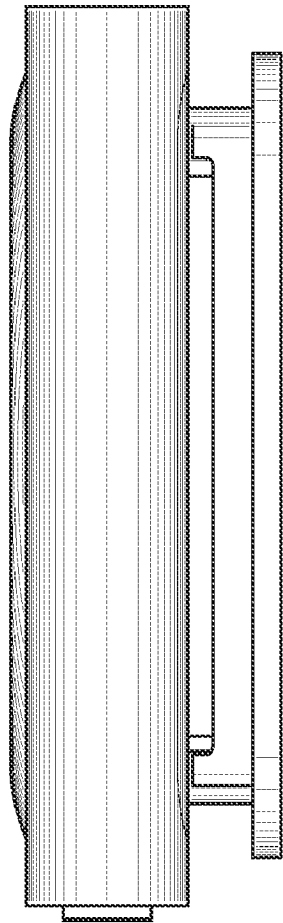


FIG. 9

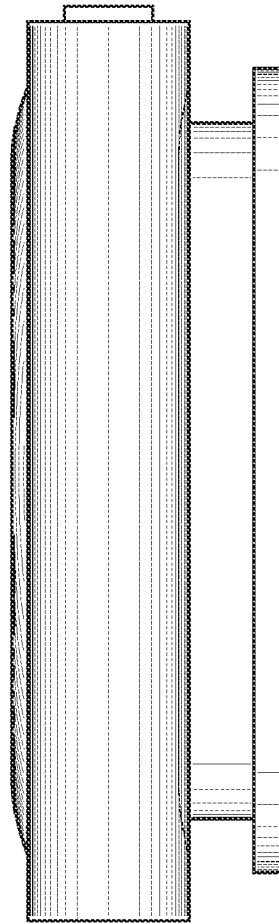


FIG. 10