

(19) World Intellectual Property Organization  
International Bureau



(43) International Publication Date  
5 June 2008 (05.06.2008)

PCT

(10) International Publication Number  
**WO 2008/066721 A3**

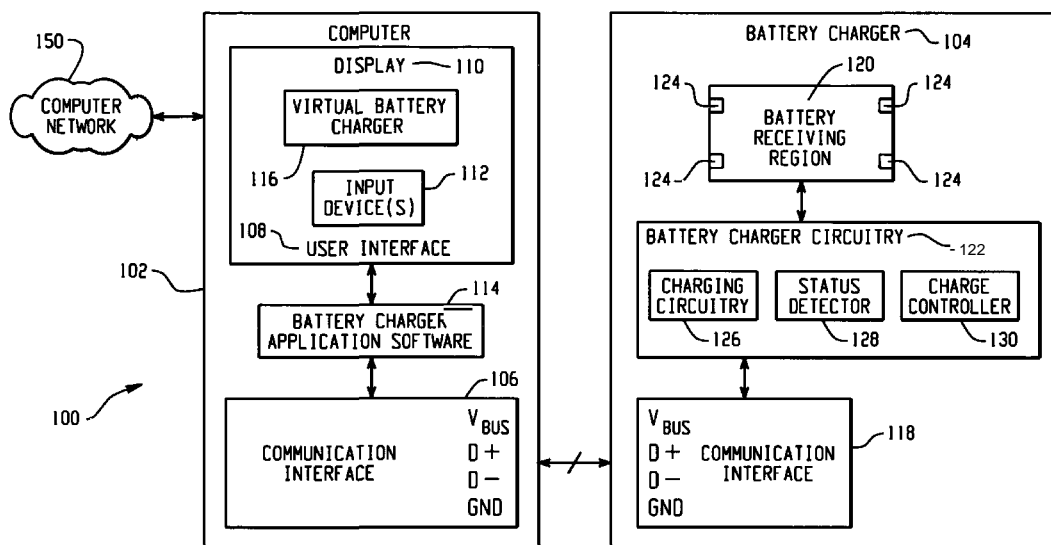
- (51) **International Patent Classification:**  
H02J 7/00 (2006.01)
- (21) **International Application Number:**  
PCT/US2007/024133
- (22) **International Filing Date:**  
19 November 2007 (19.11.2007)
- (25) **Filing Language:** English
- (26) **Publication Language:** English
- (30) **Priority Data:**  
11/563,437 27 November 2006 (27.11.2006) US
- (71) **Applicant (for all designated States except US):** EVEREADY BATTERY COMPANY, INC. [US/US]; 533 Maryville University Drive, St. Louis, MO 63141 (US).

- (74) **Agent:** ADAMS, Gregory, J.; Eveready Battery Company, Inc., 25225 Detroit Road, Westlake, OH 44145 (US).
- (81) **Designated States (unless otherwise indicated, for every kind of national protection available):** AE, AG, AL, AM, AT, AU, AZ, BA, BB, BG, BH, BR, BW, BY, BZ, CA, CH, CN, CO, CR, CU, CZ, DE, DK, DM, DO, DZ, EC, EE, EG, ES, FI, GB, GD, GE, GH, GM, GT, HN, HR, HU, ID, IL, IN, IS, JP, KE, KG, KM, KN, KP, KR, KZ, LA, LC, LK, LR, LS, LT, LU, LY, MA, MD, ME, MG, MK, MN, MW, MX, MY, MZ, NA, NG, NI, NO, NZ, OM, PG, PH, PL, PT, RO, RS, RU, SC, SD, SE, SG, SK, SL, SM, SV, SY, TJ, TM, TN, TR, TT, TZ, UA, UG, US, UZ, VC, VN, ZA, ZM, ZW
- (84) **Designated States (unless otherwise indicated, for every kind of regional protection available):** ARIPO (BW, GH, GM, KE, LS, MW, MZ, NA, SD, SL, SZ, TZ, UG, ZM, ZW), Eurasian (AM, AZ, BY, KG, KZ, MD, RU, TJ, TM), European (AT, BE, BG, CH, CY, CZ, DE, DK, EE, ES, FI, FR, GB, GR, HU, IE, IS, IT, LT, LU, LV, MC, MT, NL, PL, PT, RO, SE, SI, SK, TR), OAPI (BF, BJ, CF, CG, CI, CM, GA, GN, GQ, GW, ML, MR, NE, SN, TD, TG).

- (72) **Inventors; and**
- (75) **Inventors/Applicants (for US only):** HOFFMAN, Peter, F. [US/US]; 33120 Heartwood Avenue, Avon, OH 44011 (US). BRANDON, Michael, J., II [US/US]; 33993 Adams Avenue, North Ridgeville, OH 44039 (US). MOFFAT, Jennifer, Ana [US/US]; 15694 Fern Creek Drive, Chesterfield, MO 63017 (US). OSIECKI, Scott, W. [US/US]; 47 East Street, Skaneateles, NY 13152 (US). CASTELLUCCI, Peter, C. [US/US]; 313 East Willow Street, Apt. 416, Syracuse, NY 13203 (US).

- Published:**
  - with international search report
  - before the expiration of the time limit for amending the claims and to be republished in the event of receipt of amendments
- (88) **Date of publication of the international search report:**  
9 October 2008

(54) **Title:** COMMUNICATIVE BATTERY CHARGER



(57) **Abstract:** A physical battery charger (104) connects to a computer (102) using a communications link such as a universal serial bus (USB) connection. Application software (114) resident on the computer (102) presents a virtual battery charger (116) on a display (110) associated with the computer (102). The virtual charger (116) provides information regarding the status of the physical charger (104) and allows the user to control the operation of or otherwise interact with the physical charger (104). The physical charger (104) also adjusts the charging rate of batteries (222) being charged based on the available power.

WO 2008/066721 A3

**INTERNATIONAL SEARCH REPORT**

International application No  
PCT/US2007/024133

**A. CLASSIFICATION OF SUBJECT MATTER**  
INV. H02J7/00

According to International Patent Classification (IPC) or to both national classification and IPC

**B. FIELDSSEARCHED**

Minimum documentation searched (classification system followed by classification symbols)  
H02J

Documentation searched other than minimum documentation to the extent that such documents are included in the fields searched

Electronic data base consulted during the international search (name of data base and, where practical, search terms used)

EPO-Internal

**C. DOCUMENTS CONSIDERED TO BE RELEVANT**

Category*	Citation of document, with indication, where appropriate, of the relevant passages	Relevant to claim No.
X	EP 1 146 621 A (ZIP CHARGE CO LTD [JP] ZIP CHARGE CORP [JP]) 17 October 2001 (2001-10-17) claims 1-56	1-47
A	US 6 078 871 A (ANDERSON ERIC D [US]) 20 June 2000 (2000-06-20) the whole document	1-47
A	EP 0 711 015 A (HEWLETT PACKARD CO [US]) 8 May 1996 (1996-05-08) the whole document	1-47

**D** Further documents are listed in the continuation of Box C.

See patent family annex.

\* Special categories of cited documents :

- "A" document defining the general state of the art which is not considered to be of particular relevance
- "E" earlier document but published on or after the international filing date
- "L" document which may throw doubts on priority claim(s) or which is cited to establish the publication date of another citation or other special reason (as specified)
- "O" document referring to an oral disclosure, use, exhibition or other means
- "P" document published prior to the international filing date but later than the priority date claimed

- "T" later document published after the international filing date or priority date and not in conflict with the application but cited to understand the principle or theory underlying the invention
- "X" document of particular relevance; the claimed invention cannot be considered novel or cannot be considered to involve an inventive step when the document is taken alone
- "Y" document of particular relevance; the claimed invention cannot be considered to involve an inventive step when the document is combined with one or more other such documents, such combination being obvious to a person skilled in the art.
- "&" document member of the same patent family

Date of the actual completion of the international search

5 August 2008

Date of mailing of the international search report

20/08/2008

Name and mailing address of the ISA/  
European Patent Office, P.B. 5818 Patentlaan 2  
NL - 2280 HV Rijswijk  
Tel. (+31-70) 340-2040, Tx. 31 651 epo nl,  
Fax: (+31-70) 340-3016

Authorized officer

Mapp, Graham

## INTERNATIONAL SEARCH REPORT

Information on patent family members

international application No

PCT/US2007/024133

Patent document cited in search report	Publication date	Patent family member(s)	Publication date
EP 1146621	A	17-10-2001	AU 767044 B2 30-10-2003
			AU 3511701 A 18-10-2001
			CA 2344024 A1 14-10-2001
			US 2001045813 A1 29-11-2001
US 6078871	A	20-06-2000	NONE
EP 0711015	A	08-05-1996	DE 69509474 D1 10-06-1999
			DE 69509474 T2 02-09-1999
			JP 8214463 A 20-08-1996
			US 5602455 A 11-02-1997