

June 12, 1945.

B. A. DOTY

Des. 141,593

DROP LEAF BED TABLE UNIT OR ANALOGOUS ARTICLE

Filed March 28, 1944

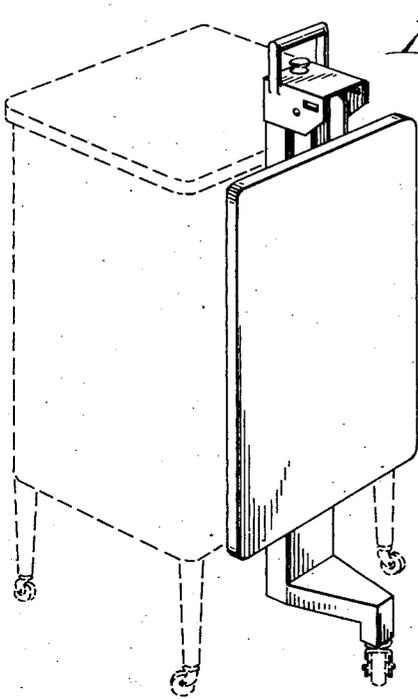


Fig. 1.

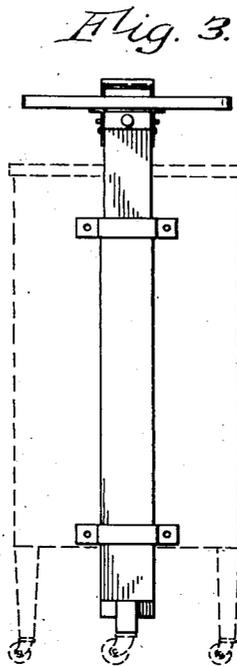


Fig. 3.

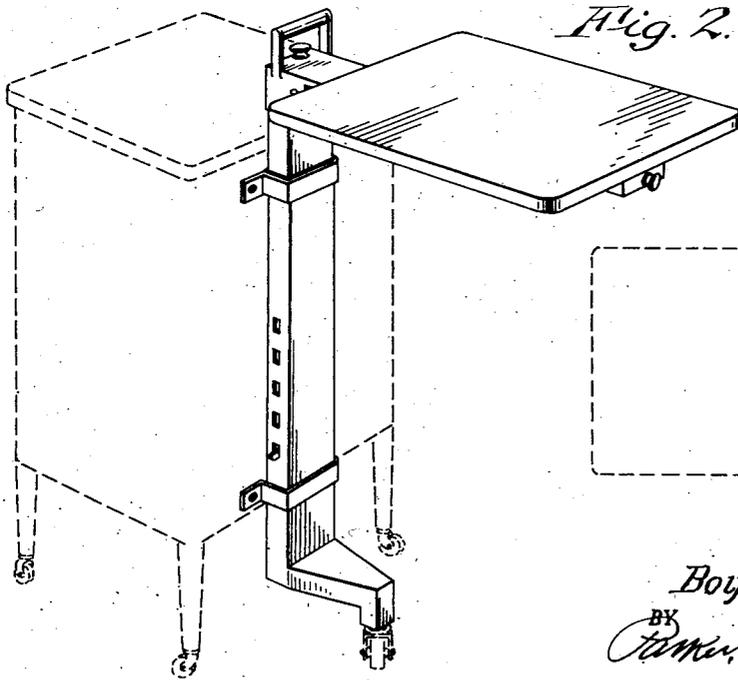
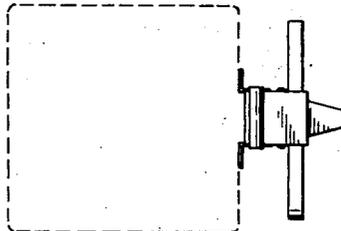


Fig. 2.

Fig. 4.



INVENTOR.
Boyd A. Doty,
BY
Clarence Robinson Farmer
Attorneys

UNITED STATES PATENT OFFICE

141,593

DESIGN FOR A DROP LEAF BED TABLE UNIT OR ANALOGOUS ARTICLE

Boyd A. Doty, Buffalo, N. Y., assignor to Hard
Manufacturing Company, Buffalo, N. Y.

Application March 28, 1944, Serial No. 113,055

Term of patent 14 years

(Cl. D33—14)

To all whom it may concern:

Be it known that I, Boyd A. Doty, a citizen of the United States, residing at Buffalo, county of Erie, and State of New York, have invented a new, original, and ornamental Design for a Drop Leaf Bed Table Unit or Analogous Article, of which the following is a specification, reference being had to the accompanying drawing, forming a part thereof.

In the drawing:

Fig. 1 is a perspective view, illustrating by broken lines a toilet stand or cabinet equipped with a drop leaf bed table unit embodying my new

design, the drop leaf being shown in its folded position.

Fig. 2 is a similar view showing the drop leaf in position for use.

Fig. 3 is a side elevational view of Fig. 2.

Fig. 4 is a top plan view of Fig. 1.

The dotted line illustration in the several drawing figures is for illustrative purposes only.

I claim:

The ornamental design for a drop leaf bed table unit or analogous article, as shown and described.

BOYD A. DOTY.