

(21) Application No 9219952.0

(22) Date of filing 21.09.1992

(30) Priority data

(31) 9121506

(32) 10.10.1991

(33) GB

(71) Applicant

Smiths Industries Public Limited Company

(Incorporated in the United Kingdom)

765 Finchley Road, London, NW11 8DS,
United Kingdom

(72) inventor

David Ian Blain

(74) Agent and/or Address for Service

J M Flint

765 Finchley Road, London, NW11 8DS,
United Kingdom

(51) INT CL⁵

G01R 27/14

(52) UK CL (Edition L)

G1U UR2714

U1S S1179 S1839

(56) Documents cited

GB 2196131 A GB 2157837 A GB 1596498 A
GOLDING "ELECTRICAL MEASUREMENTS AND
MEASURING INSTRUMENTS" published, 1970
PITMAN see pages 287,298

(58) Field of search

UK CL (Edition K) G1U UR2700 UR2702 UR2714

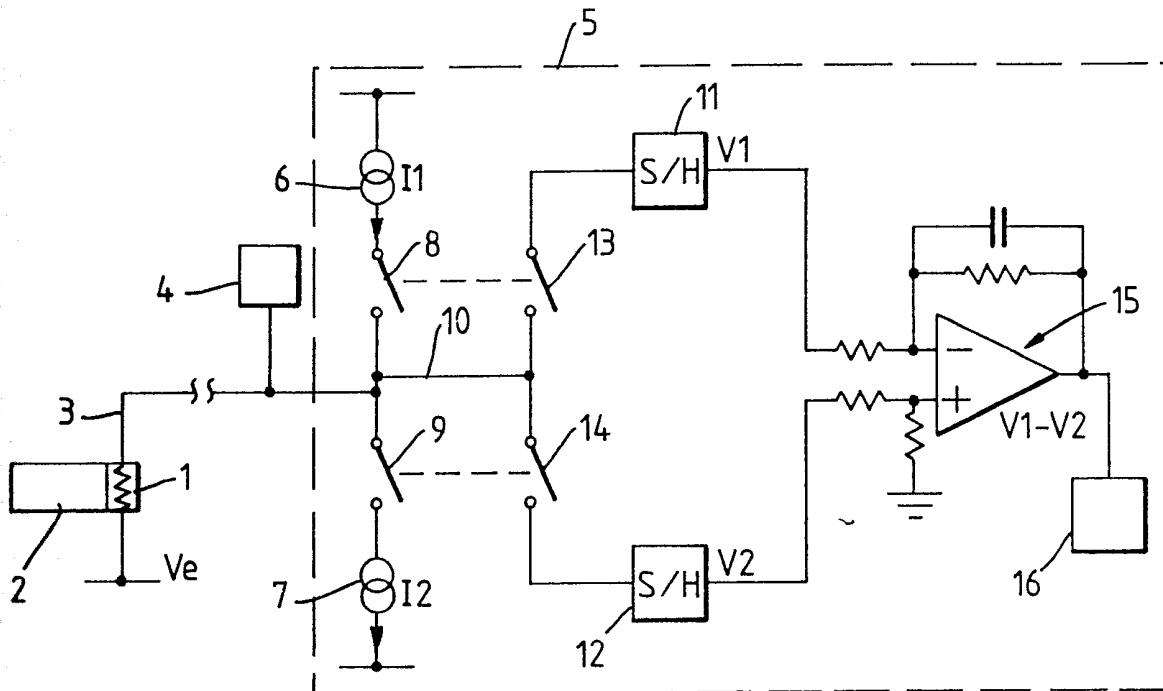
INT CL⁵ G01R

Online databases: EDOC, selected books

(54) Measuring resistance

(57) In a circuit for monitoring the resistance of a resistive element 1 connected to a ground point, a first current I_1 is supplied to the element 1 in a first direction and the voltage across it is measured at 11 and then a second current I_2 is supplied to the element in the opposite direction and the voltage across it is measured at 12 and the resistance value is calculated at 15, 16 from the measured voltages. The currents may be supplied from constant current sources or from voltage source and resistor combinations. The subtracting of the voltages at 15 eliminates the effect of the voltage at the point the element 1 is grounded. The element 1 may be a resistive explosive squib of an aircraft fire extinguisher. The element 16 may be a visual display or an audible alarm. Multiplexing may be used to check several squibs.

Fig. 1.



1/4

Fig. 1.

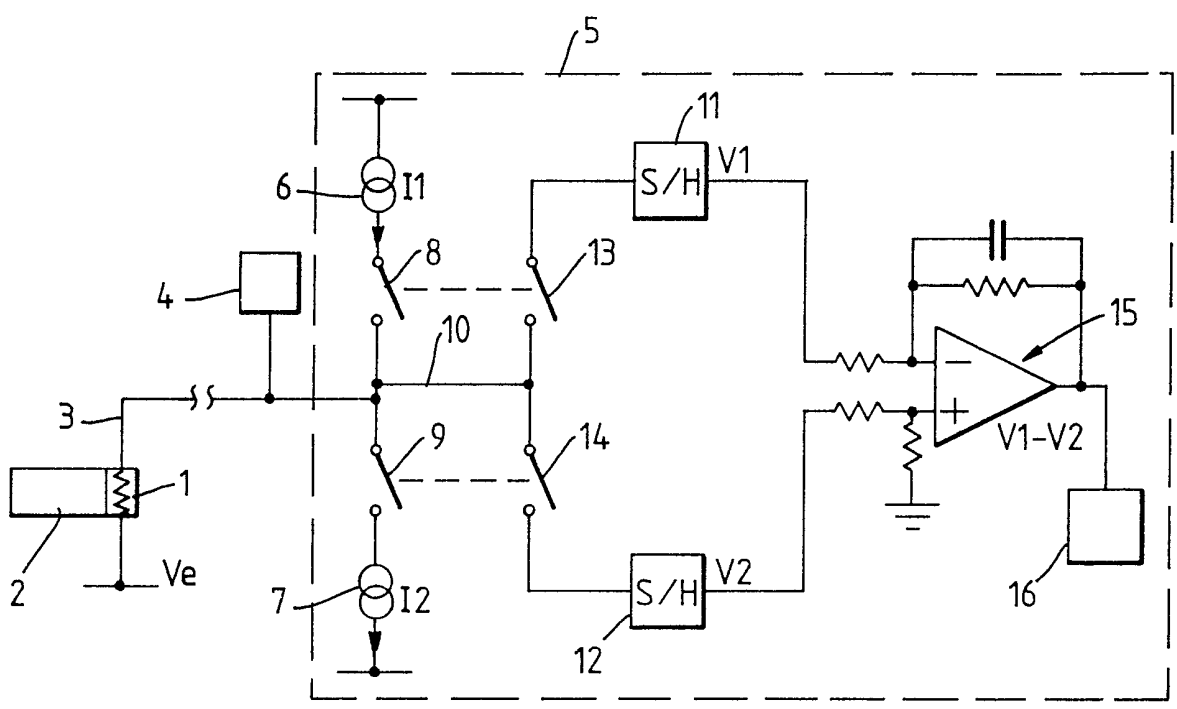
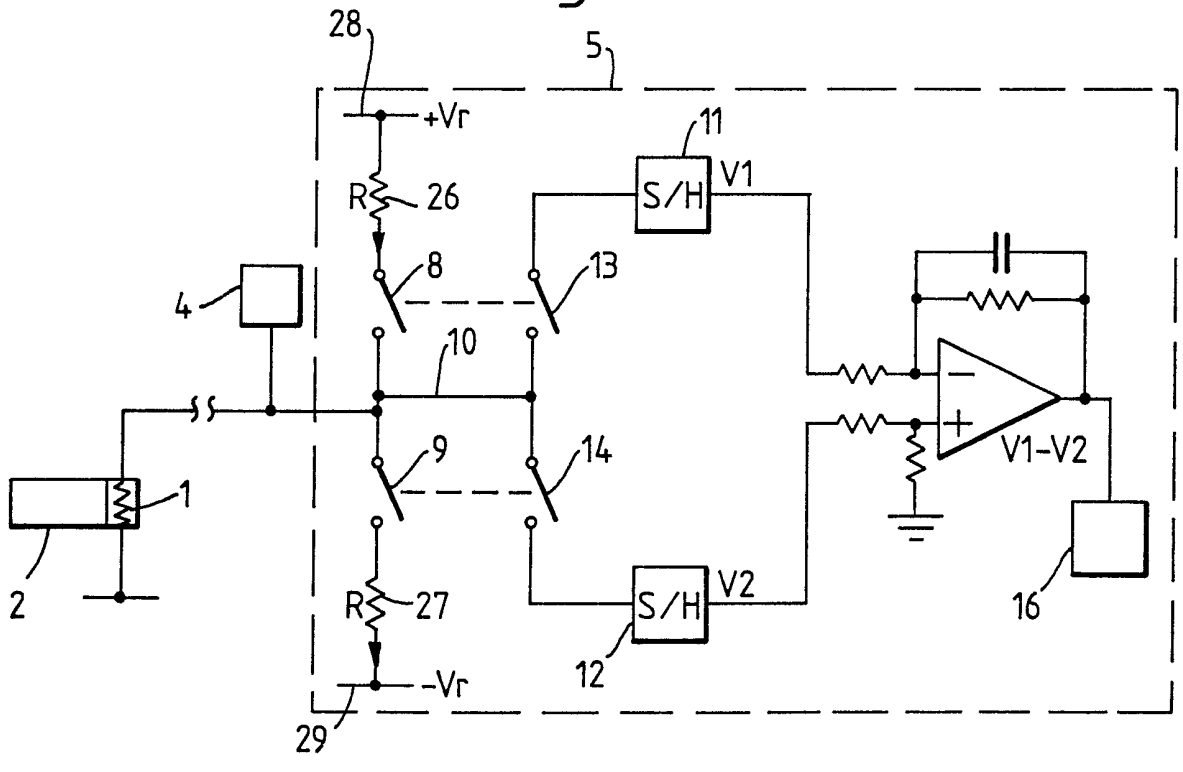


Fig. 2.



RESISTANCE MONITORS

This invention relates to resistance monitors

The invention is more particularly concerned with monitors for checking continuity in a resistive explosive squib in a fire extinguisher.

Aircraft fire extinguishers are discharged by supplying a large current to an explosive, resistive squib attached to the fire extinguisher bottle. Firing of the squib causes the extinguisher substance in the bottle to be released. Because the fire extinguisher system must be of high integrity, it is usual to test the continuity of the circuit including the squibs at the start of each flight leg. The conventional way of testing this continuity is to supply to the circuit a low current insufficient to fire the squib or cause deterioration. If the current flows to ground, there is assumed to be continuity through the squib to ground. This test, however, is unable to distinguish between a correctly operating fire extinguisher circuit and one where the circuit is shorted to ground before the squib. Furthermore, the conventional way of testing is not able to identify a squib which is out of tolerance unless this is excessive.

One way of overcoming these difficulties would be to measure the resistance of the squib. This, however, presents problems in that the potential of the ground point to which the squib is attached is unknown because it may be at some distance. The resistance could be measured if additional wiring were utilized but this is undesirable in aircraft applications because of the increased weight and complexity.

It is an object of the present invention to provide a resistance monitor which can be used to avoid these problems.

According to one aspect of the present invention, there is provided a circuit for monitoring the resistance of a resistive element connected to a ground point and associated circuitry, the circuit including means for supplying a first current to the element in a first direction, means for measuring the first voltage across the element and associated circuitry caused by the first current, means for supplying a second current to the element in a second direction opposite from the first direction, means for measuring the second voltage across the element and associated circuitry caused by the second current, and means for calculating the resistance of the element from the first and second voltages.

The first and second currents are preferably equal. The means for supplying the first and second currents may be respective constant current sources or include a respective voltage supply and resistor connected in series. The circuit preferably includes first and second sample-and-hold circuits connected to receive the respective first and second voltages, and a differential amplifier having two inputs connected to respective ones of the sample-and-hold circuits.

According to another aspect of the invention there is provided a system including a resistive explosive squib connected at one side to ground and at its other side to associated circuitry, and a circuit for monitoring the resistance of the squib, the circuit including means for supplying a first current in a first direction to the squib insufficient to cause firing of the squib, means for measuring the first voltage across the squib and associated circuitry caused by the first current, means for supplying a second current to the squib in a second direction opposite from said first direction, the second current being insufficient to cause firing of the squib, means for measuring the second voltage across the squib and associated circuitry caused by the second current, and means for

calculating the resistance of the squib from the first and second voltages.

The squib element may be a fire extinguisher squib.

A fire extinguisher system for an aircraft, in accordance with the present invention, will now be described, by way of example, with reference to the accompanying drawings, in which:

Figure 1 is a schematic diagram of the system; and

Figure 2 is a schematic diagram of a modification to the system shown in Figure 1.

The fire extinguisher system includes an explosive squib 1, on a fire extinguisher bottle 2. The squib 1 is an electrical resistive element of resistance R_m one side of which is connected to local ground and the other side of which is connected to a firing cable 3. The firing cable 3 extends to a firing circuit 4, which is operable to supply a high current to the squib 1 sufficient to cause it to explode, and to a test circuit 5 which also forms a part of the system.

The test circuit 5 includes two constant current sources 6 and 7 which are connected to the cable 3 via respective switches 8 and 9. The current sources are identical and deliver identical currents I_1 but are connected in opposite senses so that the currents flow in opposite directions. The switches 8 and 9 are arranged so that only one can be closed at any one time.

The junction between the two switches 8 and 9 is connected via line 10 to two sample-and-hold (S/H) circuits 11 and 12. Connection to each S/H circuit 11 and 12 is controlled by respective switches 13 and 14 which are ganged with switches 8 and 9. In this way, when switch 8 is closed, switch 13 is also closed and the S/H circuit 11 is

connected to line 10. Similarly, when switch 9 is closed, switch 14 is closed and the S/H circuit 12 is connected to line 10. The outputs of the two S/H circuits 11 and 12 are connected to different inputs of a differential amplifier 15. The output of the amplifier 15 is connected to utilization means 16 which may be a visual display or audible alarm which indicates a fault in the fire extinguisher system.

In order to measure the resistance of the squib 1, one of the switches 8 is closed so that a current I_1 is applied to the firing cable 3 and hence to the squib. The magnitude of the current is low so that there is no risk that the squib will fire or deteriorate. The voltage V_1 on line 10, and hence at the input of the S/H circuit 11 will be:

$$V_1 = I_1.R_m + V_e \dots\dots\dots(1)$$

where V_e is the voltage at the point to which the squib 1 is grounded.

The first switch 8 is then opened and the second switch 9 is closed so that the same current, but in the opposite direction is applied to the squib. This causes a voltage V_2 on line 10, and hence at the input of the second S/H circuit 12 of:

$$V_2 = -I_1.R_m + V_e \dots\dots\dots(2)$$

The amplifier 15 acts to subtract the voltages stored in the two S/H circuits 11 and 12 so as to eliminate the unknown remote ground voltage V_e . This gives:

$$V_1 - V_2 = 2I_1.R_m$$

$$\text{or } R_m = (V_1 - V_2)/2.I_1$$

With knowledge of the current I_1 , the utilization means 16 can calculate the resistance R_m of the squib 1 and determine whether or not it is within acceptable limits. Clearly, if the squib is short circuit or open circuit this can be detected. Similarly, if there is a

short circuit of the firing cable 3 to ground before the squib, this will also be indicated as a fault.

The test system is independent of the potential at the grounding point of the squib and does not require any additional wiring to the squib.

It will be appreciated that in most practical systems, there will be more than one fire extinguisher and more than one firing circuit. The test system can be multiplexed so that it is capable of being switched to check several different squibs.

It is not essential to use constant current sources to provide the test currents. Instead, as shown in Figure 2 identical resistances 26 and 27 of value R could be connected between respective ones of the switches 8 and 9 and positive and negative rails 28 and 29 of voltages $+V_r$ and $-V_r$ respectively.

In this arrangement, when the first switch 8 is closed, the voltage at the input of the S/H circuit 11 will be:

$$V_1 = ((V_r - V_e)/(R_1 + R_m))R_m + V_e$$

which gives:

$$(V_1 - V_e)R_1 = (V_r - V_1) R_m \dots\dots\dots(3)$$

Similarly, when the second switch 9 is closed, the voltage at the input of the other S/H circuit 12 will be:

$$V_2 = ((-V_r - V_e)/(R_1 + R_m))R_m + V_e.$$

which gives:

$$(V_2 - V_e)R_1 = (-V_r - V_2)R_m \dots\dots\dots (4)$$

If expressions (3) and (4) are subtracted to eliminate V_e , this gives:

$$(V_1 - V_2)R_1 = (2V_r - V_1 + V_2)R_m$$

or

$$R_m = ((V_1 - V_2) / (2V_r - (V_1 - V_2)))R_1$$

Thus, the utilization means 16 can calculate the resistance R_m of the squib 1 from the output of the amplifier $(V_1 - V_2)$ and from knowledge of V_r and R_1 .

It will be appreciated that the present invention is not confined to use in testing fire extinguisher squibs but could be used in other applications such as where it is necessary to measure resistance of an element connected to ground at a remote location.

CLAIMS

1. A circuit for monitoring the resistance of a resistive element connected to a ground point and associated circuitry, the circuit including means for supplying a first current to said element in a first direction, means for measuring the first voltage across the element and associated circuitry caused by the first current, means for supplying a second current to said element in a second direction opposite from said first direction, means for measuring the second voltage across the element and associated circuitry caused by the second current, and means for calculating the resistance of the element from the first and second voltages.
2. A circuit according to Claim 1, wherein the first and second currents are equal.
3. A circuit according to Claim 1 or 2, wherein the means for supplying the first and second currents are respective constant current sources.
4. A circuit according to Claim 1 or 2, wherein the means for supplying the first and second currents include a respective voltage supply means and resistor connected in series.
5. A circuit according to any one of the preceding claims including first and second sample-and-hold circuits connected to receive the respective first and second voltages, and a differential amplifier having two inputs connected to respective ones of the sample-and-hold circuits.
6. A system including a resistive explosive squib connected at one side to ground and at its other side to associated circuitry, and a circuit for monitoring the resistance of the squib, the circuit including means for supplying a first current in a first direction to the squib insufficient to cause firing of the squib, means for measuring the first voltage

across the squib and associated circuitry caused by the first current, means for supplying a second current to the squib in a second direction opposite from said first direction, the second current being insufficient to cause firing of the squib, means for measuring the second voltage across the squib and associated circuitry caused by the second current, and means for calculating the resistance of the squib from the first and second voltages.

7. A system according to Claim 6, wherein the squib is a fire extinguisher squib.
8. A circuit substantially as hereinbefore described with reference to Figure 1 of the accompanying drawings.
9. A circuit substantially as hereinbefore described with reference to Figure 2 of the accompanying drawings.
10. A fire extinguisher system substantially as hereinbefore described with reference to Figure 1 of the accompanying drawings.
11. A fire extinguisher system substantially as hereinbefore described with reference to Figure 2 of the accompanying drawings.
12. Any novel feature or combination of features as hereinbefore described.

Examiner's report to the Comptroller under
Section 17 (The Search Report)

Application number
GB 9219952.0

Relevant Technical fields

(i) UK CI (Edition K) G1U: UR2700, UR2702, UR2714

(ii) Int CI (Edition 5) G01R

Search Examiner

MR S SATKURUNATH

Databases (see over)

(i) UK Patent Office

(ii) ONLINE DATABASES: EDOC

Date of Search

29 OCTOBER 1992

Documents considered relevant following a search in respect of claims 1-12

Category (see over)	Identity of document and relevant passages	Relevant to claim(s)
Y	GB 2196131 A (HAUSER) - see figure 1	1
Y	GB 2157837 A (MARS) - see figure 4	1
Y	GB 1596498 (PLESSEY) - see figure 6	1
Y	GOLDING ET AL "ELECTRICAL MEASUREMENTS AND MEASURING INSTRUMENTS" PUBLISHED 1970 PITMAN see especially pages 287, 298	1



Category	Identity of document and relevant passages	Relevant to claim(s,

Categories of documents

X: Document indicating lack of novelty or of inventive step.

Y: Document indicating lack of inventive step if combined with one or more other documents of the same category.

A: Document indicating technological background and/or state of the art.

P: Document published on or after the declared priority date but before the filing date of the present application.

E: Patent document published on or after, but with priority date earlier than, the filing date of the present application.

&: Member of the same patent family, corresponding document.

Databases: The UK Patent Office database comprises classified collections of GB, EP, WO and US patent specifications as outlined periodically in the Official Journal (Patents). The on-line databases considered for search are also listed periodically in the Official Journal (Patents).