



US00D745368S

(12) **United States Design Patent**
Lütze

(10) **Patent No.:** **US D745,368 S**

(45) **Date of Patent:** **** Dec. 15, 2015**

(54) **MOUNTING DEVICE**

(71) Applicant: **Udo Lütze**, Kernen-Stetten (DE)

(72) Inventor: **Udo Lütze**, Kernen-Stetten (DE)

(73) Assignee: **FRIEDRICH LUETZE GMBH**,
Weinstadt-Grossheppach (DE)

(**) Term: **14 Years**

(21) Appl. No.: **29/446,594**

(22) Filed: **Feb. 26, 2013**

(30) **Foreign Application Priority Data**

Aug. 27, 2012 (EM) 002 092 734

(51) **LOC (10) Cl.** **08-08**

(52) **U.S. Cl.**

USPC **D8/349**; D13/184

(58) **Field of Classification Search**

USPC D6/683.1, 672, 684, 680, 703.5;
D8/349, 354, 355, 363, 364, 372, 373,
D8/380, 381, 400; D13/184, 199;
D25/121, 123–125, 119

CPC F16M 13/02; F16L 3/123; B23P 11/00;
B23P 17/03; A47B 96/00; H02B 1/00

See application file for complete search history.

(56) **References Cited**

U.S. PATENT DOCUMENTS

D254,625 S *	4/1980	Stenersen	D20/43
D294,867 S *	3/1988	Meshulam	D25/119
D342,482 S *	12/1993	Lutze et al.	D13/199
D394,976 S *	6/1998	Benchimol et al.	D8/380
D402,535 S *	12/1998	Wright	D8/354
D459,975 S *	7/2002	Dinh et al.	D8/354
D675,046 S *	1/2013	Kloppers	D25/125
D693,485 S *	11/2013	Krieger	D25/121
D693,944 S *	11/2013	Krieger	D25/121
D704,484 S *	5/2014	Thrush	D6/683.1

2008/0105636 A1* 5/2008 Lawson 211/94.01
2010/0116945 A1 5/2010 Lütze
2011/0303798 A1* 12/2011 Bader et al. 248/65

* cited by examiner

Primary Examiner — Thomas Johannes

Assistant Examiner — Shawn T Gingrich

(74) *Attorney, Agent, or Firm* — Wenderoth, Lind & Ponack,
L.L.P.

(57) **CLAIM**

I claim the ornamental design of a mounting device, as shown and described.

DESCRIPTION

FIG. 1 is a front elevational view of the mounting device according to a first embodiment of the invention;

FIG. 2 is a side elevational view thereof, the opposite side view being substantially a mirror image thereof;

FIG. 3 is a back elevational view thereof;

FIG. 4 is a top plan view thereof;

FIG. 5 is a bottom plan view thereof;

FIG. 6 is a perspective view thereof;

FIG. 7 is a front elevational view of the mounting device according to a second embodiment of the invention;

FIG. 8 is a side elevational view thereof, the opposite side view being substantially a mirror image thereof;

FIG. 9 is a back elevational view thereof;

FIG. 10 is a top plan view thereof;

FIG. 11 is a bottom plan view thereof;

FIG. 12 is a perspective view thereof;

FIG. 13 is a front elevational view of the mounting device according to a third embodiment of the invention;

FIG. 14 is a side elevational view thereof, the opposite side view being substantially a mirror image thereof;

FIG. 15 is a back elevational view thereof;

FIG. 16 is a top plan view thereof;

FIG. 17 is a bottom plan view thereof; and,

FIG. 18 is a perspective view thereof.

1 Claim, 6 Drawing Sheets

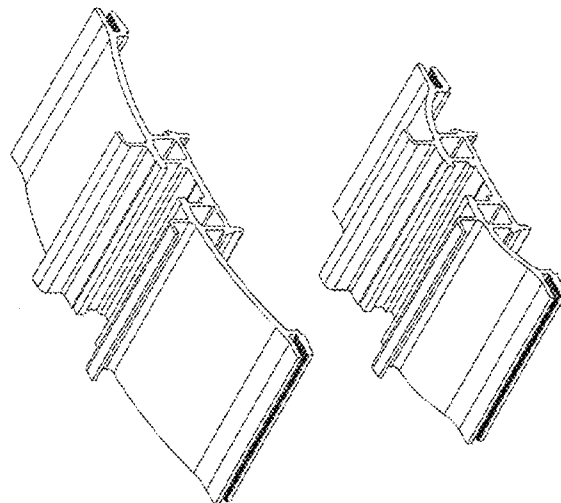


FIG. 4

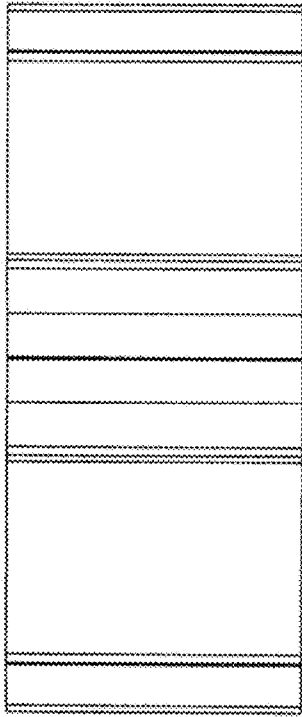
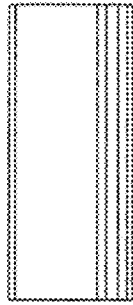


FIG. 1

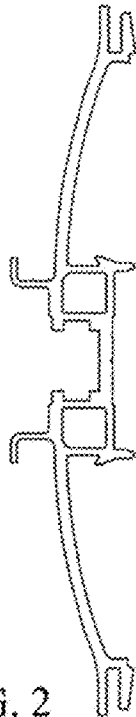


FIG. 2

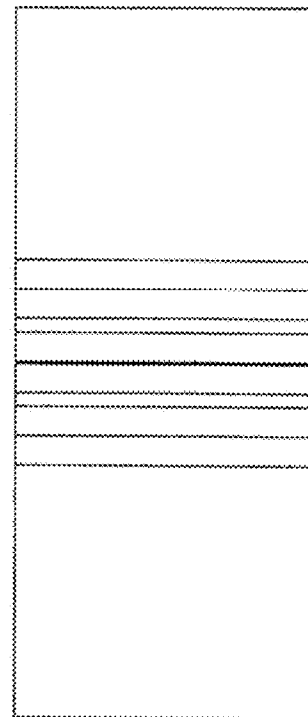


FIG. 3

FIG. 5



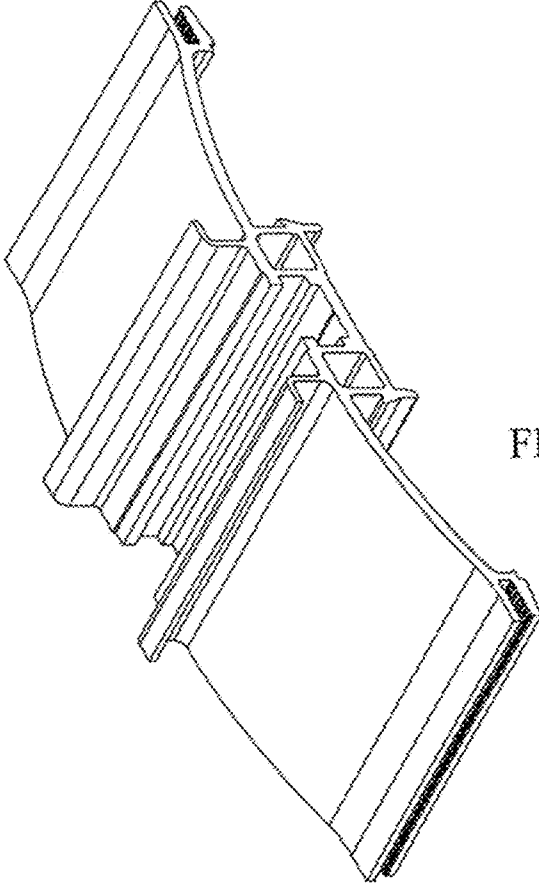


FIG. 6

FIG. 10

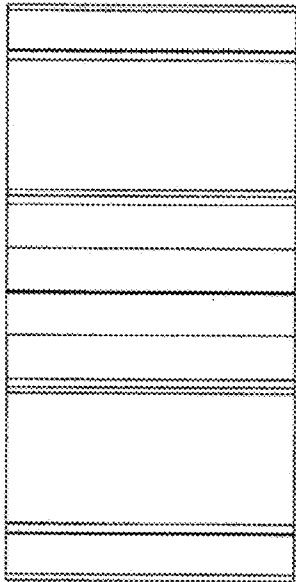
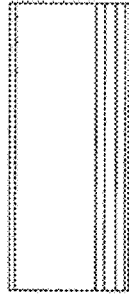


FIG. 7

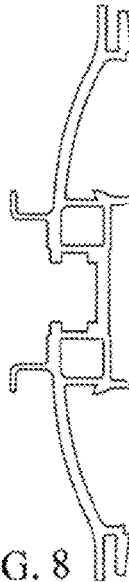


FIG. 8

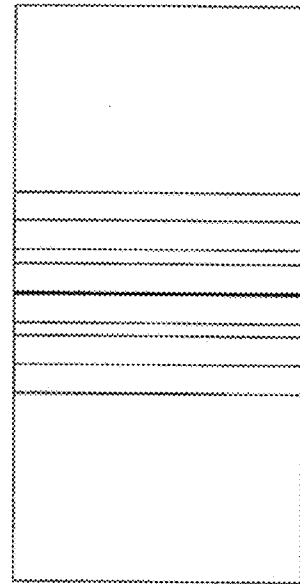
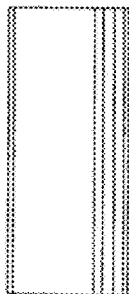


FIG. 9

FIG. 11



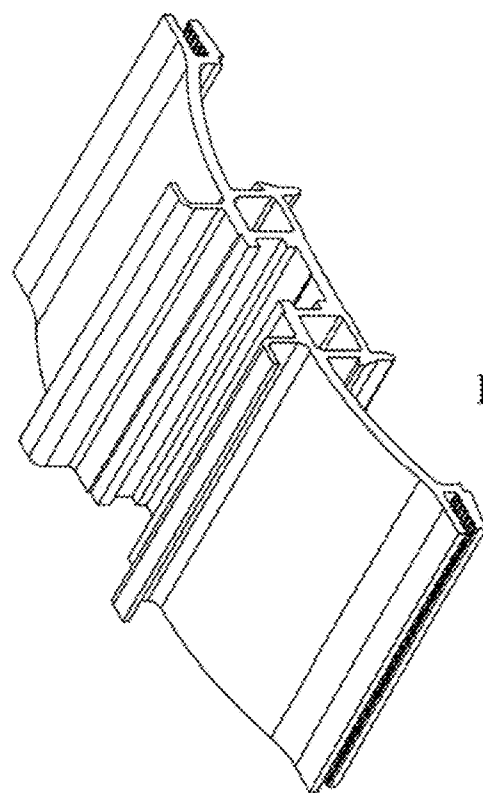


FIG. 12

FIG. 16

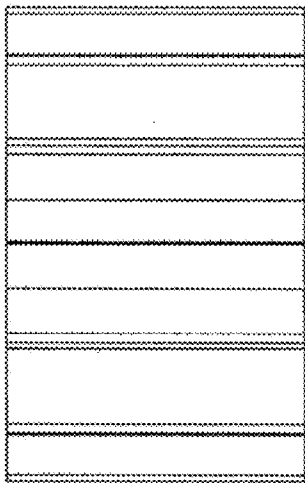
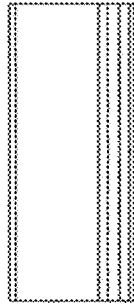


FIG. 13

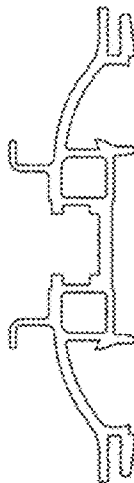


FIG. 14

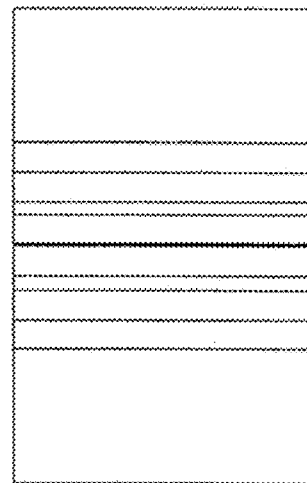
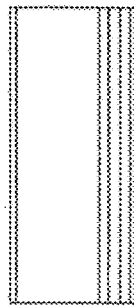


FIG. 15

FIG. 17



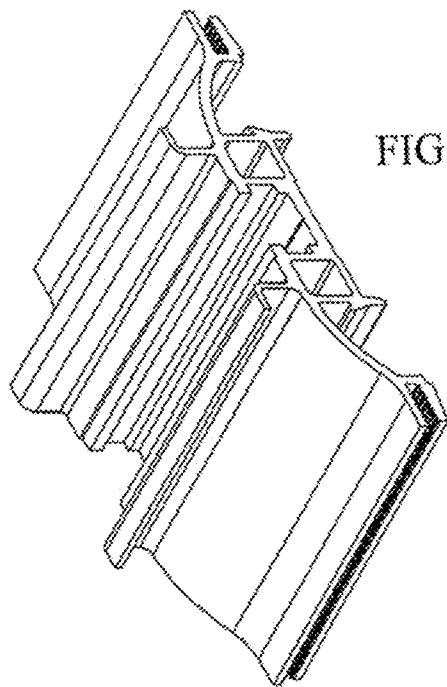


FIG. 18