

(19) World Intellectual Property Organization  
International Bureau



(43) International Publication Date  
12 August 2004 (12.08.2004)

PCT

(10) International Publication Number  
WO 2004/066812 A3

(51) International Patent Classification<sup>7</sup>: A61M 29/00

(21) International Application Number:  
PCT/US2004/001447

(22) International Filing Date: 21 January 2004 (21.01.2004)

(25) Filing Language: English

(26) Publication Language: English

(30) Priority Data:  
10/352,473 28 January 2003 (28.01.2003) US

(71) Applicant and

(72) Inventor: GEDEBOU, Tewodros [US/US]; 8614 Burton Way, Apt. #205, Los Angeles, California 90048 (US).

(74) Agent: STETINA BRUNDA GARRED & BRUCKER; 75 Enterprise, Suite 250, Aliso Viejo, CA 92656 (US).

(81) Designated States (unless otherwise indicated, for every kind of national protection available): AE, AG, AL, AM,

AT, AU, AZ, BA, BB, BG, BR, BW, BY, BZ, CA, CH, CN, CO, CR, CU, CZ, DE, DK, DM, DZ, EC, EE, EG, ES, FI, GB, GD, GE, GH, GM, HR, HU, ID, IL, IN, IS, JP, KE, KG, KP, KR, KZ, LC, LK, LR, LS, LT, LU, LV, MA, MD, MG, MK, MN, MW, MX, MZ, NA, NI, NO, NZ, OM, PG, PH, PL, PT, RO, RU, SC, SD, SE, SG, SK, SL, SY, TJ, TM, TN, TR, TT, TZ, UA, UG, US, UZ, VC, VN, YU, ZA, ZM, ZW.

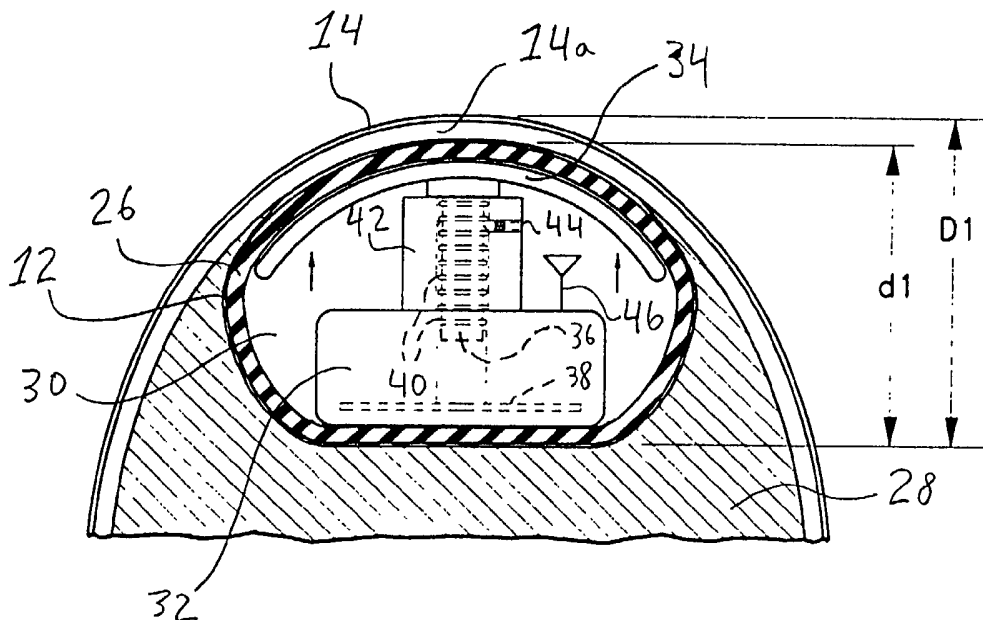
(84) Designated States (unless otherwise indicated, for every kind of regional protection available): ARIPO (BW, GH, GM, KE, LS, MW, MZ, SD, SL, SZ, TZ, UG, ZM, ZW), Eurasian (AM, AZ, BY, KG, KZ, MD, RU, TJ, TM), European (AT, BE, BG, CH, CY, CZ, DE, DK, EE, ES, FI, FR, GB, GR, HU, IE, IT, LU, MC, NL, PT, RO, SE, SI, SK, TR), OAPI (BF, BJ, CF, CG, CI, CM, GA, GN, GQ, GW, ML, MR, NE, SN, TD, TG).

Published:

- with international search report
- before the expiration of the time limit for amending the claims and to be republished in the event of receipt of amendments

[Continued on next page]

(54) Title: TISSUE EXPANDER, SYSTEM AND METHOD



(57) Abstract: Non-fluidized tissue expanders, tissue expander systems, and methods of expanding tissue are disclosed. The tissue expanders, systems, methods of the present invention incorporate an expandable encapsulated body mass implantable within the patient and operative to selectively expand to promote growth of an enlarged area of skin and subcutaneous tissue. Such tissue expansion is accomplished utilizing internal one or more distraction mechanisms disposed within the tissue expanders that are operative to expand by mechanical or electro-mechanical means. The present invention omits any type of inflatable body requiring the injection of fluids to effectuate expansion of the tissue expander.

WO 2004/066812 A3



---

**(88) Date of publication of the international search report:**  
21 April 2005

*For two-letter codes and other abbreviations, refer to the "Guidance Notes on Codes and Abbreviations" appearing at the beginning of each regular issue of the PCT Gazette.*

# INTERNATIONAL SEARCH REPORT

International application No.

PCT/US04/01447

<b>A. CLASSIFICATION OF SUBJECT MATTER</b>		
IPC(7) : A61M 29/00		
US CL : 606/191		
According to International Patent Classification (IPC) or to both national classification and IPC		
<b>B. FIELDS SEARCHED</b>		
Minimum documentation searched (classification system followed by classification symbols) U.S. : 606/191		
Documentation searched other than minimum documentation to the extent that such documents are included in the fields searched		
Electronic data base consulted during the international search (name of data base and, where practicable, search terms used)		
<b>C. DOCUMENTS CONSIDERED TO BE RELEVANT</b>		
Category *	Citation of document, with indication, where appropriate, of the relevant passages	Relevant to claim No.
A	US 5,549,672 A (MADDOCK et al) 27 August 1996 (27.08.1996), See entire document.	1-21
<input type="checkbox"/> Further documents are listed in the continuation of Box C. <input type="checkbox"/> See patent family annex.		
* Special categories of cited documents:		
"A" document defining the general state of the art which is not considered to be of particular relevance  "E" earlier application or patent published on or after the international filing date  "L" document which may throw doubts on priority claim(s) or which is cited to establish the publication date of another citation or other special reason (as specified)  "O" document referring to an oral disclosure, use, exhibition or other means  "P" document published prior to the international filing date but later than the priority date claimed	"T" later document published after the international filing date or priority date and not in conflict with the application but cited to understand the principle or theory underlying the invention  "X" document of particular relevance; the claimed invention cannot be considered novel or cannot be considered to involve an inventive step when the document is taken alone  "Y" document of particular relevance; the claimed invention cannot be considered to involve an inventive step when the document is combined with one or more other such documents, such combination being obvious to a person skilled in the art  "&" document member of the same patent family	
Date of the actual completion of the international search		Date of mailing of the international search report
13 January 2005 (13.01.2005)		<b>15 FEB 2005</b>
Name and mailing address of the ISA/US Mail Stop PCT, Attn: ISA/US Commissioner for Patents P.O. Box 1450 Alexandria, Virginia 22313-1450 Facsimile No. (703) 305-3230		Authorized officer <i>Sharon A. Greene for</i> Kevin T. Truong Telephone No. 703-308-0858