

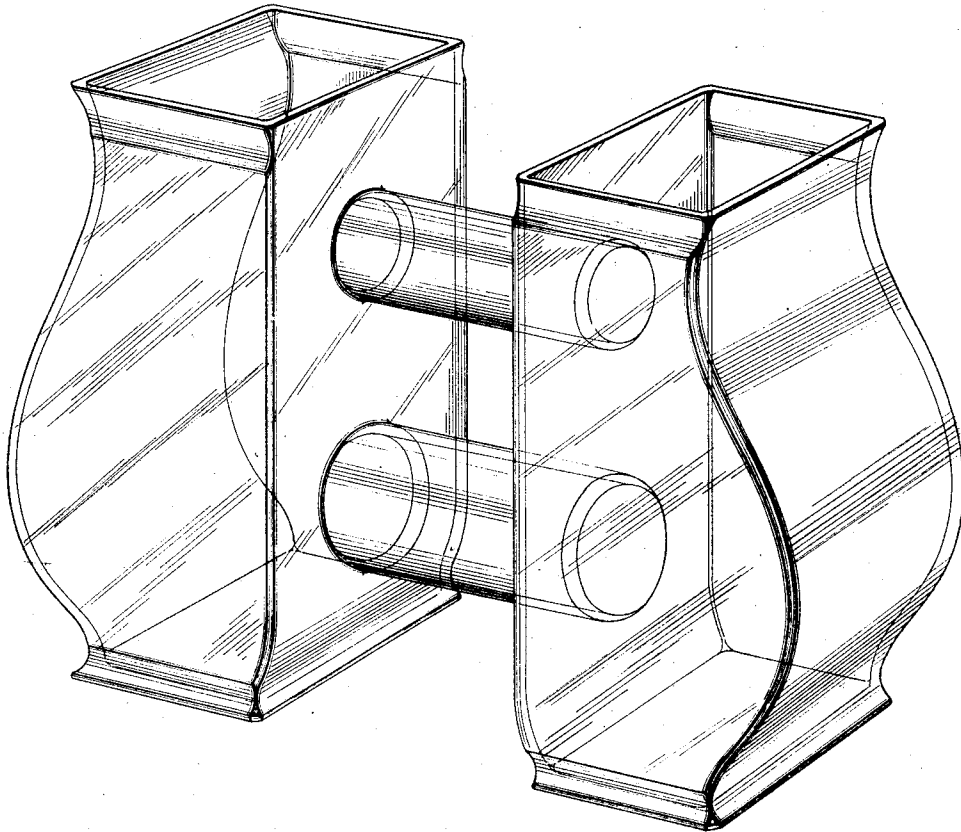
April 21, 1931.

F. G. SMITH

Des. 84,002

FISH BOWL

Filed March 6, 1931



Inventor

F. G. Smith.

By

Eccleston & Eccleston
Attorneys

UNITED STATES PATENT OFFICE

FLOYD G. SMITH, OF PETERSBURG, VIRGINIA

DESIGN FOR A FISH BOWL

Application filed March 6, 1931. Serial No. 38,965. Term of patent 7 years.

To all whom it may concern:

Be it known that I, FLOYD G. SMITH, a citizen of the United States, residing at Petersburg, in the county of Dinwiddie and State of Virginia, have invented a new, original, and ornamental Design for Fish Bowl, of which the following is a specification, reference being had to the accompanying drawing, forming part thereof.

The figure is a perspective view of a fish bowl, showing my new design.

I claim:

The ornamental design for a fish bowl, as shown.

FLOYD G. SMITH.