



US00D386403S

United States Patent [19]

[11] Patent Number: Des. 386,403

McGregor

[45] Date of Patent: **Nov. 18, 1997

[54] **COMBINED CONTAINER AND APPLICATOR DEVICE FOR OILS, LOTIONS AND LIKE COSMETIC FLUIDS**

[76] Inventor: **Novia McGregor**, 98-15 Horace Harding Expressway #6H, Rego Park, N.Y. 11368

[**] Term: **14 Years**

[21] Appl. No.: **61,036**

[22] Filed: **Oct. 15, 1996**

[51] LOC (6) Cl. **09-01**

[52] U.S. Cl. **D9/338; D9/337; D9/521; D9/556; D28/76**

[58] **Field of Search** D9/300, 337, 338, D9/429, 556, 521; D19/46; 401/196, 209, 213, 55, 75, 171-175, 208; 222/390, 185.1, 173, 105; D28/76, 88, 91.1, 73

[56] **References Cited**

U.S. PATENT DOCUMENTS

D. 92,786 7/1934 Vivaudou D9/556 X

D. 149,400	4/1948	Biro	D9/521
D. 243,585	3/1977	Angleman et al.	D9/338
D. 260,858	9/1981	Courrèges	D9/556 X
D. 261,615	11/1981	Kaufman	D9/337
D. 286,375	10/1986	Taub	D9/337
D. 336,037	6/1993	Lippens	D9/337
D. 361,507	8/1995	Langemann	D9/337

Primary Examiner—Martie Thompson

[57] **CLAIM**

The ornamental design for a combined container and applicator device for oils, lotions and like cosmetic fluids, as shown and described.

DESCRIPTION

FIG. 1 is a front elevational view of the combined container and applicator device for oils, lotions and like cosmetic fluids showing my new design;
FIG. 2 is an exploded rear elevational view thereof;
FIG. 3 is a right side elevational view thereof;
FIG. 4 is a left side elevational view thereof;
FIG. 5 is a top plan view thereof; and,
FIG. 6 is a bottom plan view thereof.

1 Claim, 3 Drawing Sheets

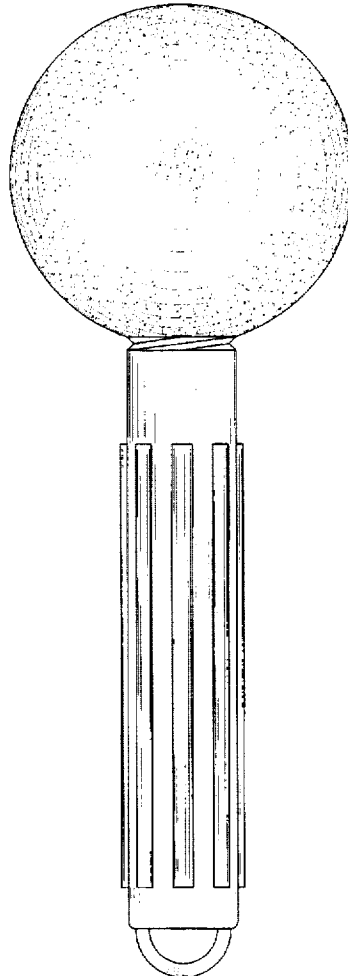


FIG. 1

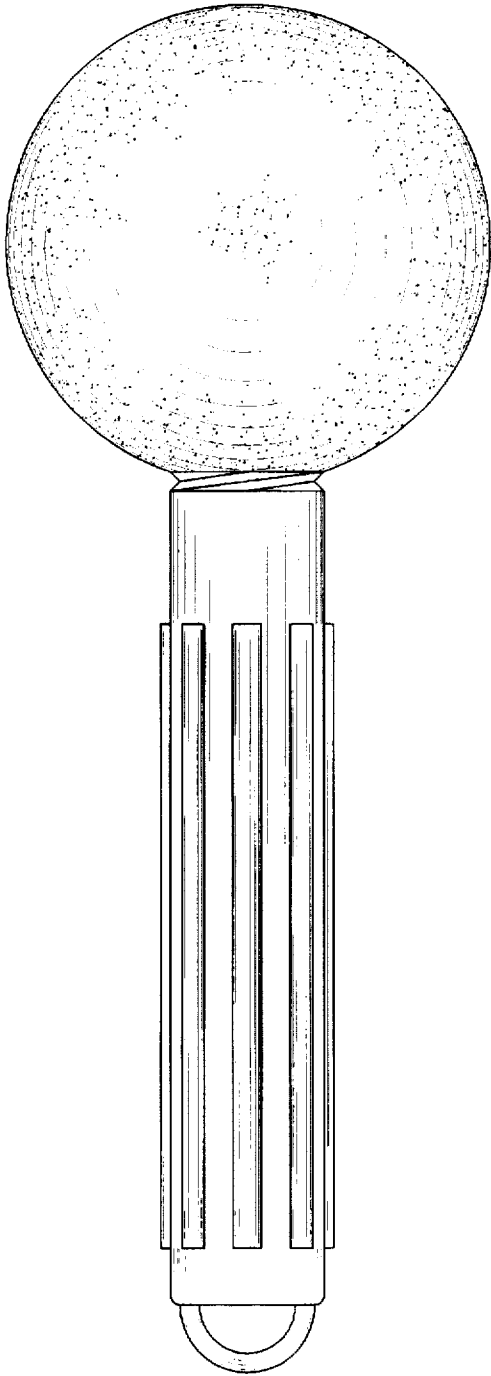


FIG. 2

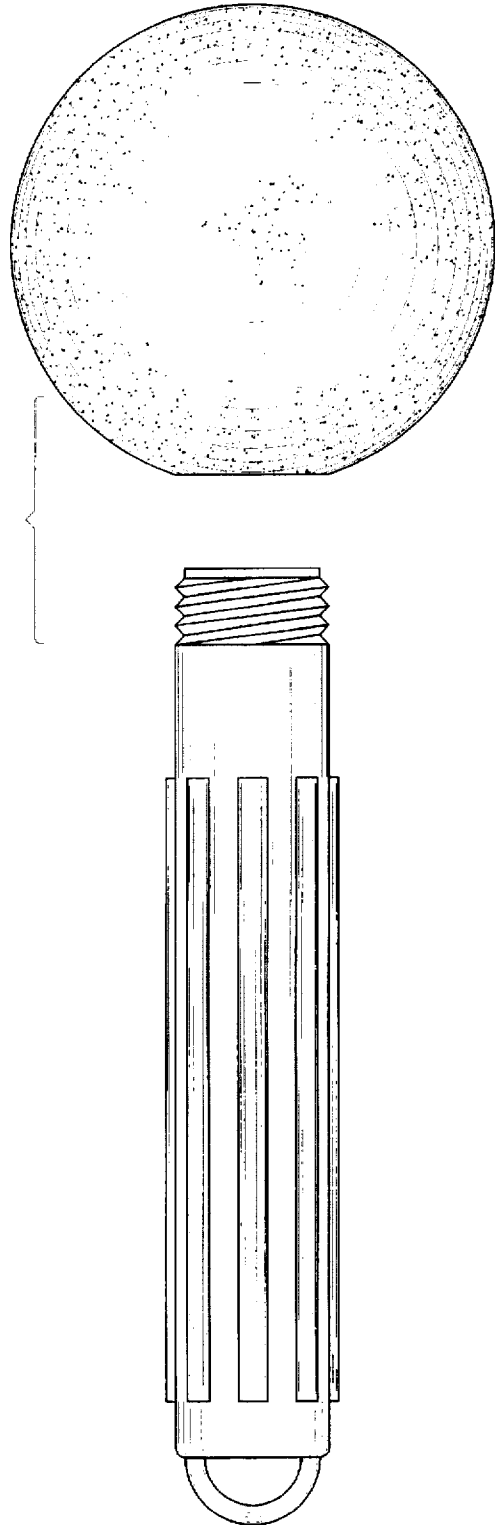


FIG. 3

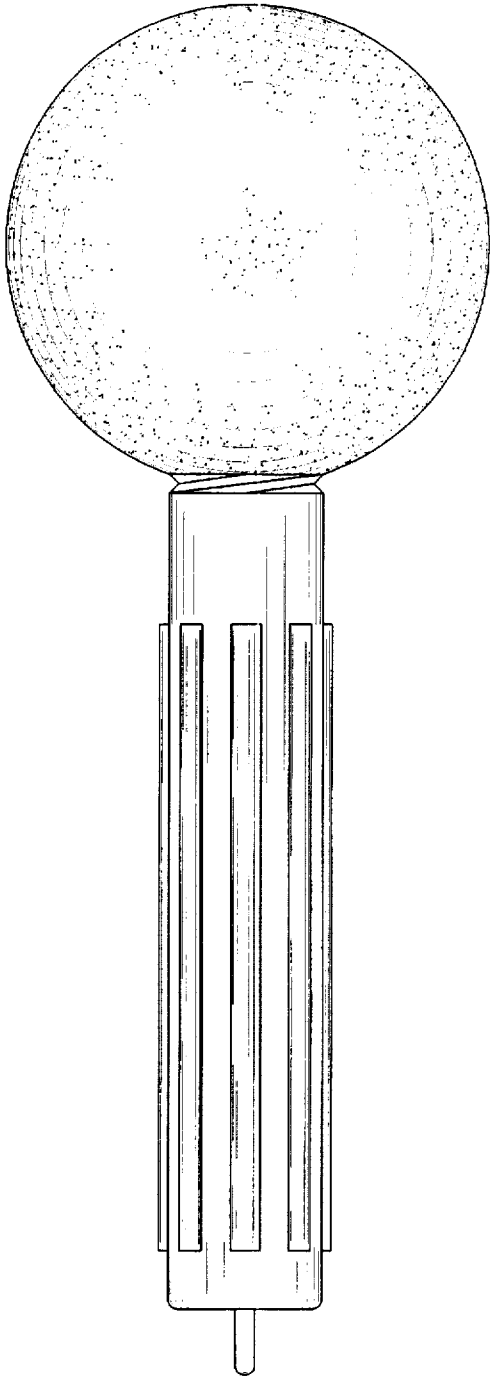


FIG. 4

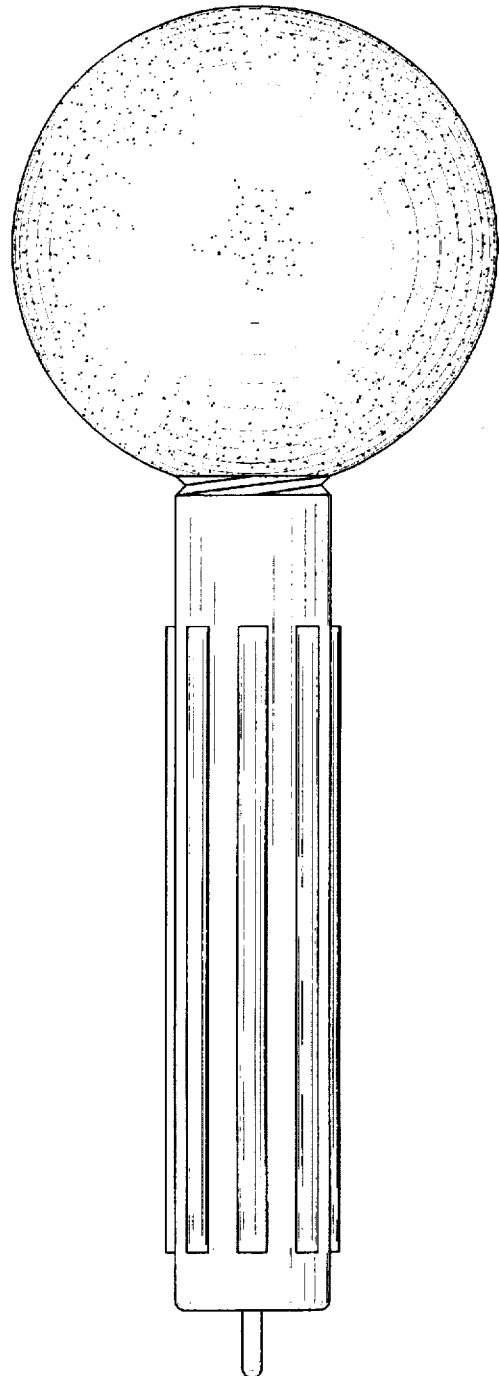


FIG. 5

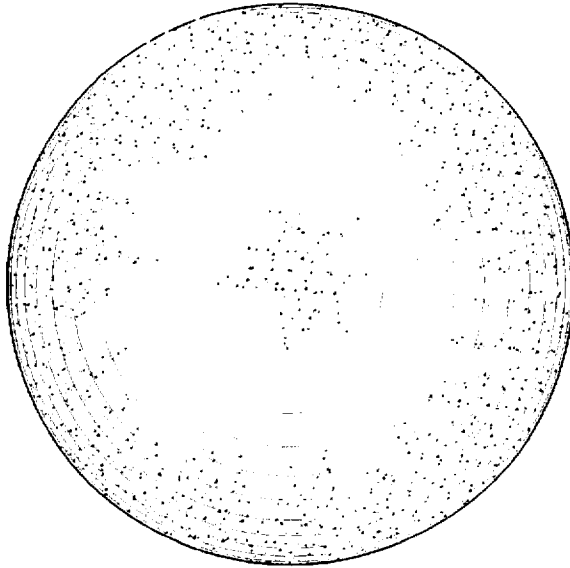


FIG. 6

