



(12) **United States Design Patent**
LeTourneau et al.

(10) **Patent No.:** **US D940,472 S**
(45) **Date of Patent:** **** Jan. 11, 2022**

(54) **SHELF COMBINED WITH MIRROR**

FOREIGN PATENT DOCUMENTS

(71) Applicant: **Kohler Co.**, Kohler, WI (US)

CN 306356744 * 7/2020

(72) Inventors: **Alexander V. LeTourneau**, Sheboygan, WI (US); **Dongha Lee**, Sheboygan, WI (US); **Zhiyu Liu**, Sheboygan, WI (US); **Shawn J. Booth**, Sheboygan, WI (US)

OTHER PUBLICATIONS

Rivet Modern Round Hanging Mirror with Shelf [online], [site visited Aug. 25, 2021]. Available from internet, URL: <<https://www.amazon.com/Amazon-Brand-Modern-Hanging-Diameter/dp/B084HTZ8PW/>> (Year: 2020).*

(73) Assignee: **Kohler Co.**, Kohler, WI (US)

(Continued)

(**) Term: **15 Years**

Primary Examiner — Cynthia Ramirez

Assistant Examiner — Xavier Marti-Santos

(21) Appl. No.: **29/721,336**

(74) *Attorney, Agent, or Firm* — Lempia Summerfield Katz LLC

(22) Filed: **Jan. 20, 2020**

(51) **LOC (13) Cl.** **06-07**

(52) **U.S. Cl.**
USPC **D6/309**

(58) **Field of Classification Search**
USPC D6/300, 301, 302, 303, 304, 307, 308,
D6/309, 310, 311, 312, 313, 314;
D28/64.1–64.7; D26/56; D19/113;
D11/79, 80, 86, 131; D23/270, 271, 286
CPC A45D 42/00; A45D 42/10; A45D 42/16;
A45D 42/20; A45D 42/24; A47G 1/00;
A47G 1/02; A47G 1/04; A47G 1/0622;
B60J 3/0282

(57) **CLAIM**

We claim the ornamental design for a shelf combined with mirror, as shown and described.

See application file for complete search history.

DESCRIPTION

FIG. 1 is a perspective view of the claimed design;
FIG. 2 is a front view of the claimed design shown in FIG. 1;
FIG. 3 is a rear view of the claimed design shown in FIG. 1;
FIG. 4 is a side view of the claimed design shown in FIG. 1;
FIG. 5 is another side view of the claimed design shown in FIG. 1;
FIG. 6 is a top view of the claimed design shown in FIG. 1; and,
FIG. 7 is a bottom view of the claimed design shown in FIG. 1.

The broken lines in the figures are for the purpose of illustrating portions of the shelf combined with mirror, which form no part of the claimed design. The additional dash-dot broken lines show boundaries and form no part of the claimed design.

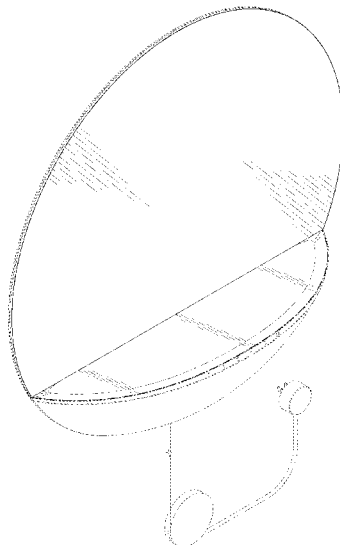
(56) **References Cited**

U.S. PATENT DOCUMENTS

D397,556 S *	9/1998	Yisrael	D6/300
D483,574 S *	12/2003	Wanek	D6/309
D529,724 S *	10/2006	Mohundro	D6/309
D562,571 S *	2/2008	Pitot	D6/309
D566,974 S *	4/2008	Lee	D6/300
D636,611 S *	4/2011	Duma	D6/309
D664,369 S *	7/2012	Duma	D6/309
D680,755 S *	4/2013	Gilboe	D6/309

(Continued)

1 Claim, 5 Drawing Sheets



(56)

References Cited

U.S. PATENT DOCUMENTS

D688,883 S * 9/2013 Gilboe D6/309
D689,701 S * 9/2013 Mischel, Jr. D6/309
D711,874 S * 8/2014 Cope D14/374
D719,747 S * 12/2014 Mischel, Jr. D6/309
D923,946 S * 7/2021 Flaig D6/309

OTHER PUBLICATIONS

Wall-mounted mirror [online], [site visited Aug. 25, 2021]. Available from internet, URL: <<https://www.archiexpo.com/prod/marks-m-sia/product-151150-2198867.html>> (Year: 2021).*

* cited by examiner

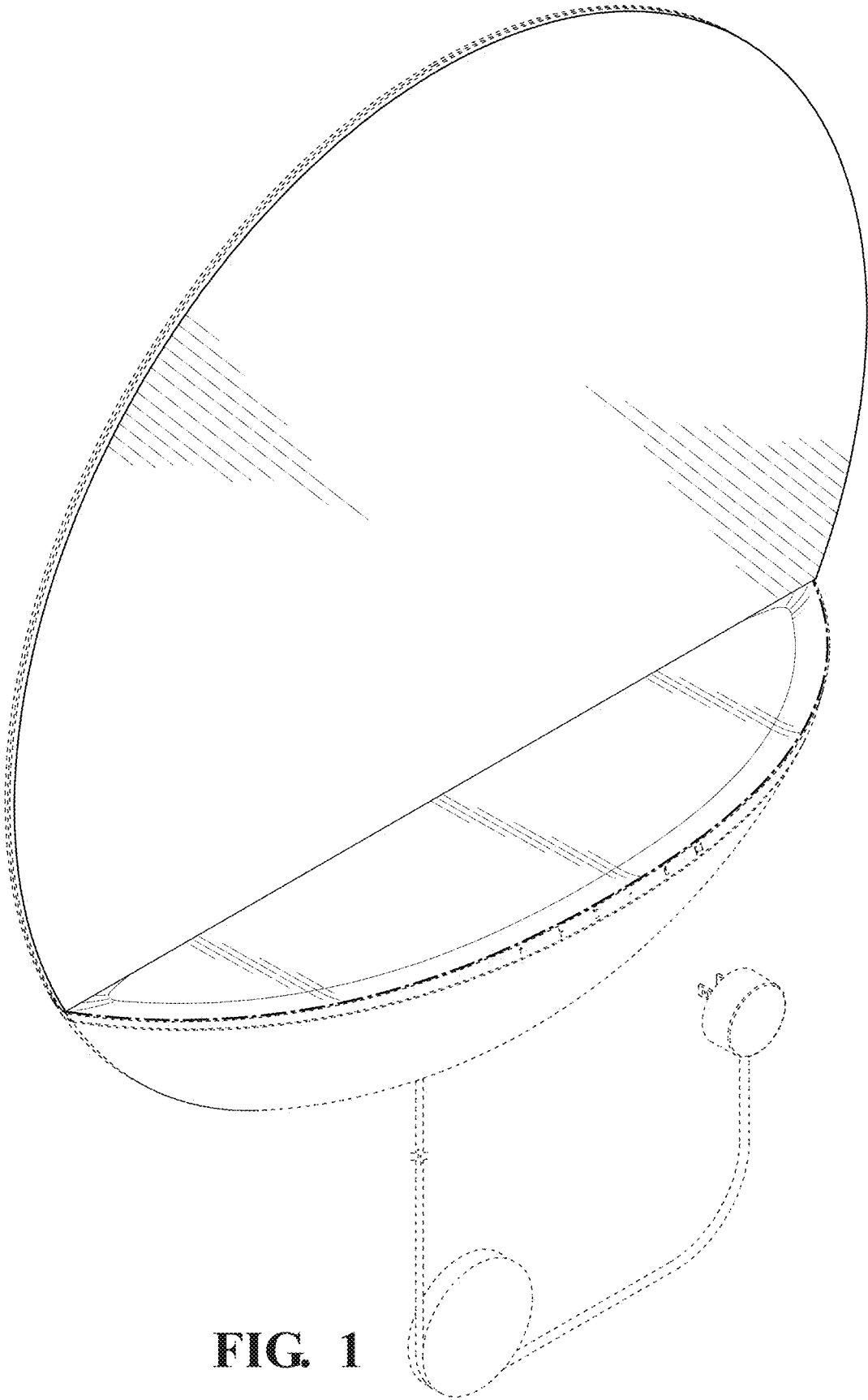


FIG. 1

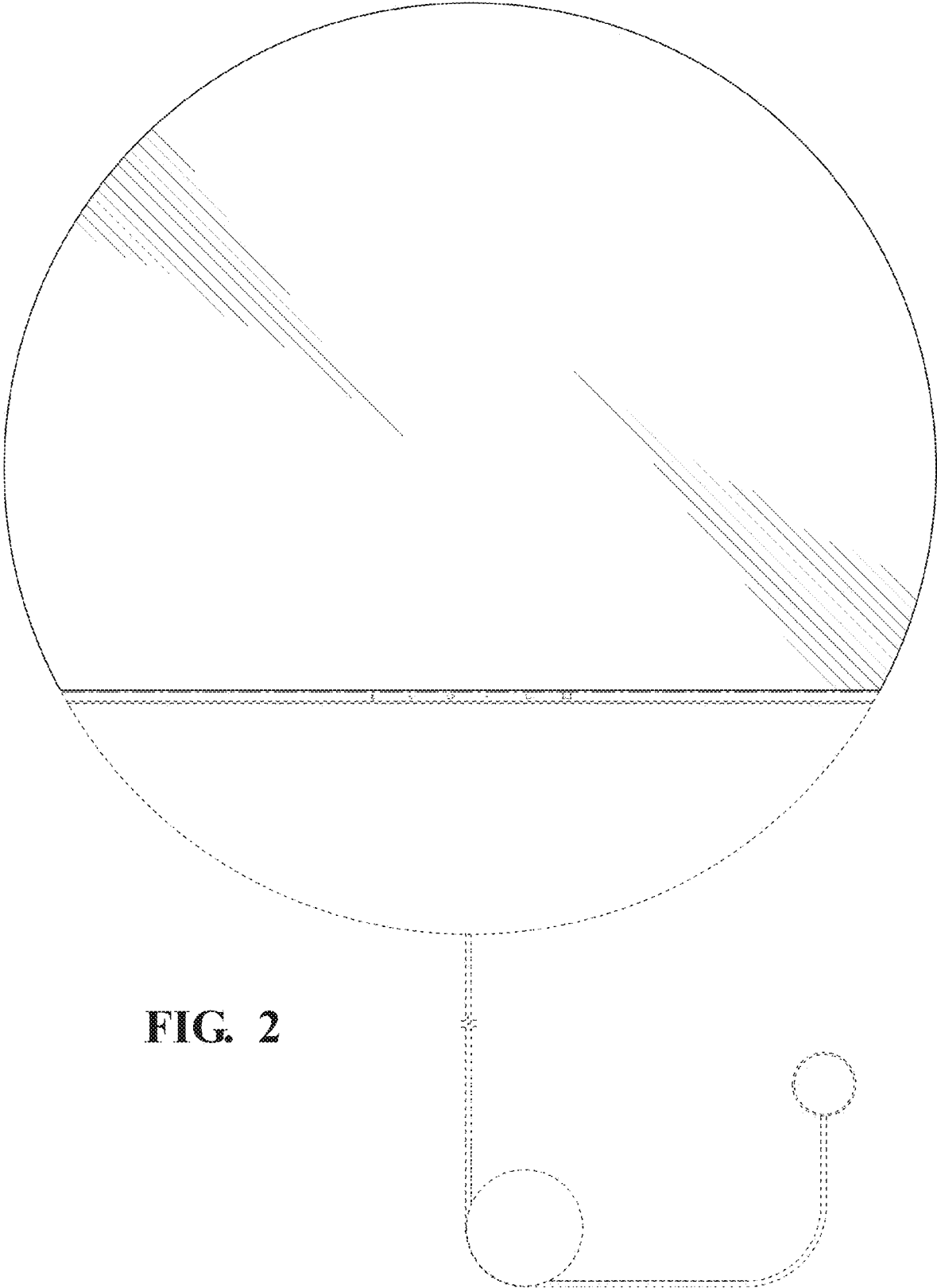


FIG. 2

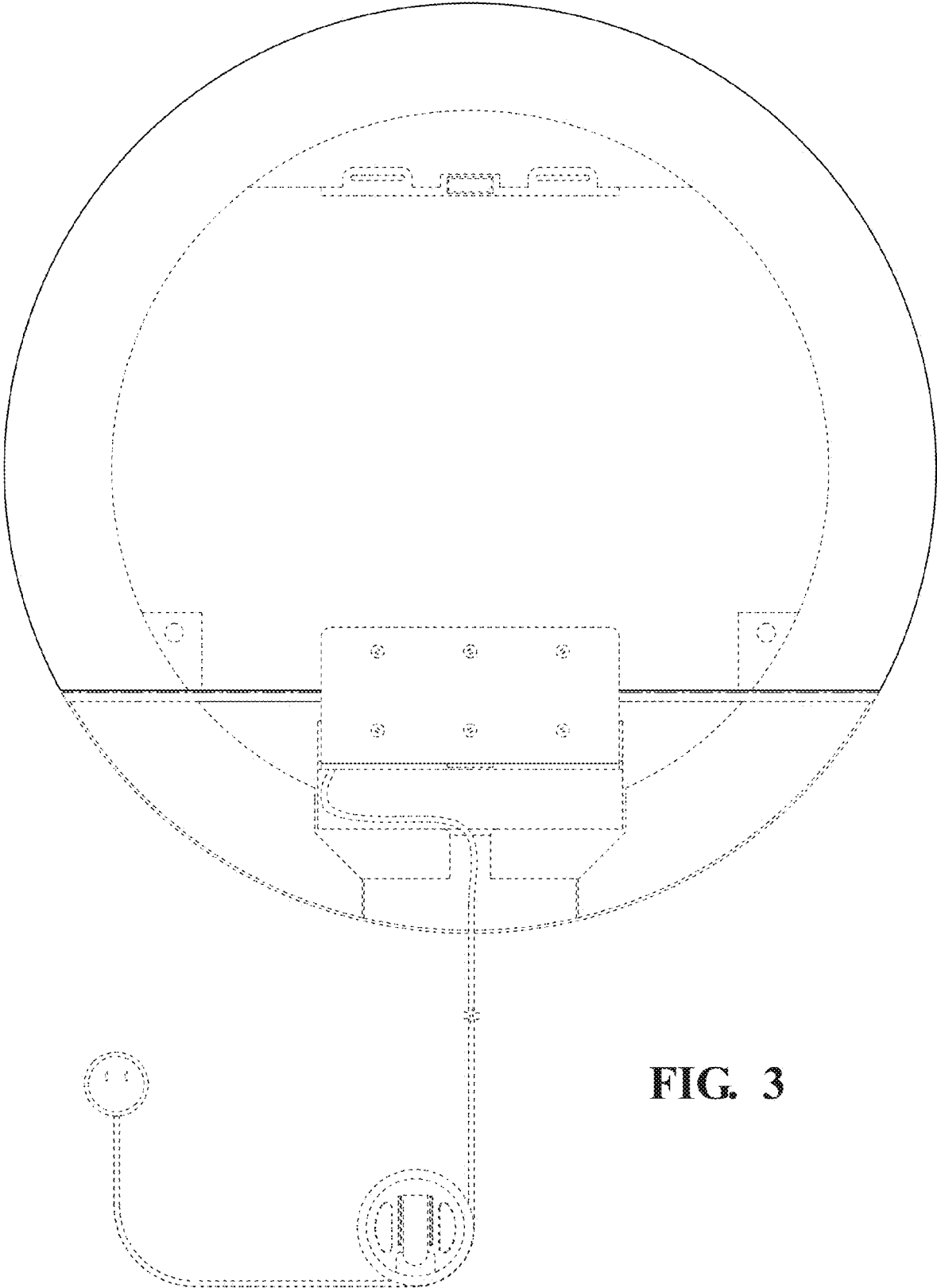


FIG. 3

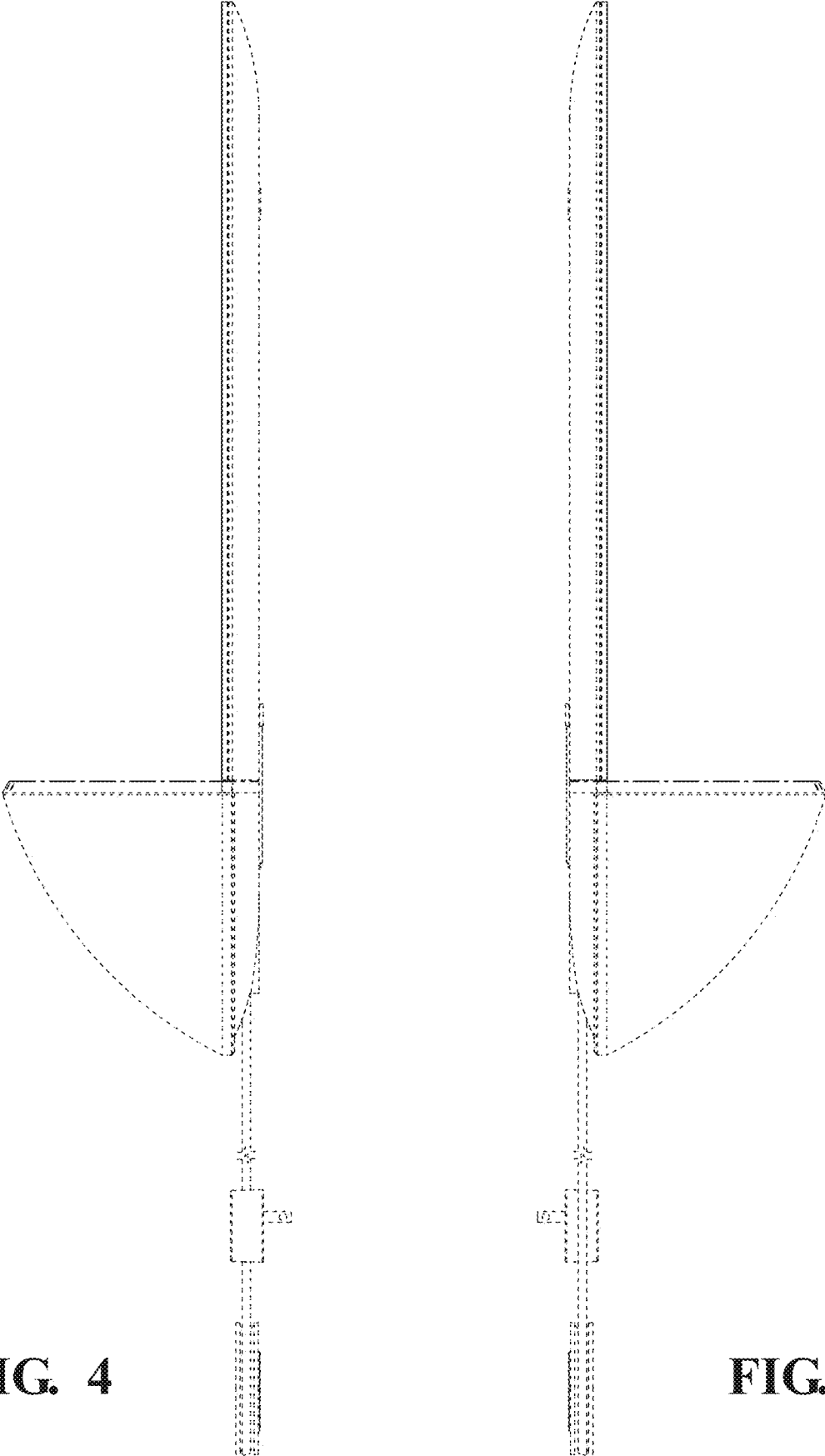


FIG. 4

FIG. 5

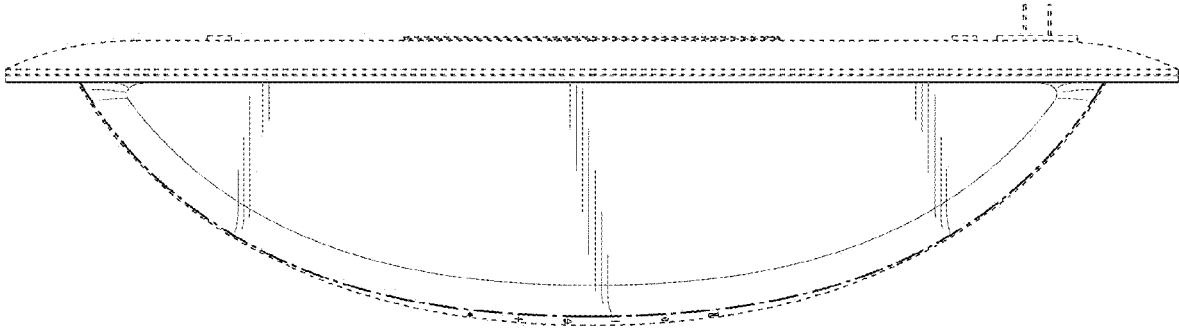


FIG. 6

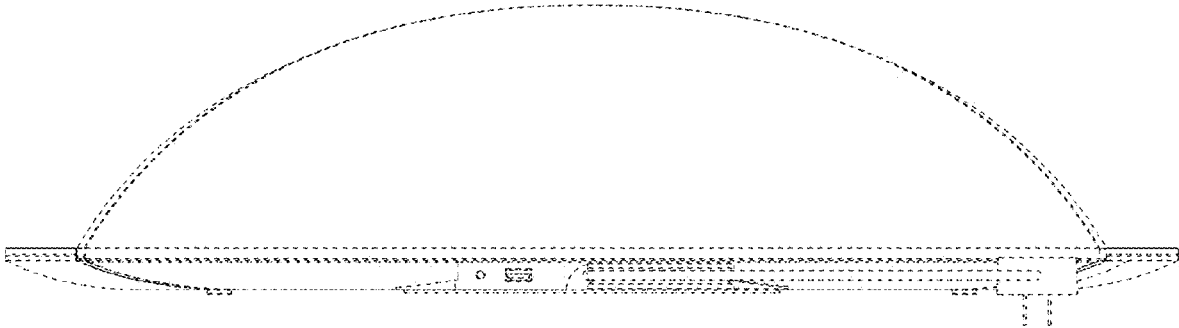


FIG. 7