



US0D1012062S

(12) **United States Design Patent**
Hu

(10) **Patent No.:** **US D1,012,062 S**

(45) **Date of Patent:** **** Jan. 23, 2024**

(54) **HEADPHONES**

(71) Applicant: **Shiping Hu, Jining (CN)**

(72) Inventor: **Shiping Hu, Jining (CN)**

(**) Term: **15 Years**

(21) Appl. No.: **29/916,128**

(22) Filed: **Nov. 8, 2023**

(30) **Foreign Application Priority Data**

Nov. 3, 2023 (EM) 015039677-0001

(51) **LOC (14) Cl.** **14-01**

(52) **U.S. Cl.**
USPC **D14/205**

(58) **Field of Classification Search**
USPC D14/205, 188, 192; D29/112;
381/380-381, 374; 2/209
CPC H04R 25/00; H04R 25/02; H04R 1/10;
H04R 1/1066; H04R 1/1016; H04R
5/033; H04R 5/0335; H04R 1/105; H04R
1/1041; H04R 1/1091
See application file for complete search history.

(56) **References Cited**

U.S. PATENT DOCUMENTS

- 6,629,579 B1 * 10/2003 Hasegawa H04R 1/1066
181/129
- 6,993,143 B2 * 1/2006 Harris H04R 1/1066
381/374
- 7,072,483 B2 * 7/2006 Lenhard-Backhaus
H04R 1/1066
381/370
- D538,261 S * 3/2007 Taylor D14/205
- D573,581 S * 7/2008 Gondo D14/205
- D594,847 S * 6/2009 Suzuki D14/205
- D639,776 S * 6/2011 Arimoto D14/205
- D666,990 S * 9/2012 Komiyama D14/205
- D677,243 S * 3/2013 Kitayama D14/205

- D690,682 S 10/2013 Iacovelli
- D691,583 S * 10/2013 Kitayama D14/205
- 8,620,007 B2 * 12/2013 Lee H03G 3/02
381/104
- D697,048 S * 1/2014 Pavitsich D14/205
- 8,923,525 B2 * 12/2014 Saideh H04R 1/1041
381/384
- D725,630 S * 3/2015 Nakagawa D14/205
- D729,196 S * 5/2015 Liu D14/205
- D733,090 S * 6/2015 Petersen D14/205
- D787,469 S * 5/2017 Djohar D14/205
- D809,475 S * 2/2018 Dryden D14/205
- D811,365 S * 2/2018 Czaniecki D14/205
- D836,084 S * 12/2018 Xie D14/205

(Continued)

FOREIGN PATENT DOCUMENTS

- CN 308020336 * 5/2023
- EM 003754977-0006 * 2/2017

(Continued)

Primary Examiner — Paula Allen Greene
(74) *Attorney, Agent, or Firm* — Jeenam Park

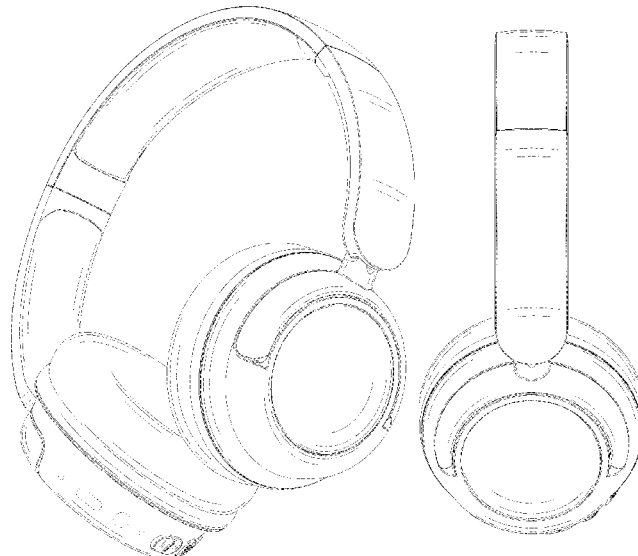
(57) **CLAIM**

The ornamental design for headphones, as shown and described.

DESCRIPTION

FIG. 1 is a front, right and top perspective view of headphones, showing my new design;
FIG. 2 is a rear, left and bottom perspective view thereof;
FIG. 3 is a front view thereof;
FIG. 4 is a rear view thereof;
FIG. 5 is a left side view thereof;
FIG. 6 is a right side view thereof;
FIG. 7 is a top plan view thereof; and,
FIG. 8 is a bottom plan view thereof.
The broken lines shown in the drawings illustrate portions of headphones that form no part of the claimed design.

1 Claim, 8 Drawing Sheets



(56)

References Cited

U.S. PATENT DOCUMENTS

D838,687 S * 1/2019 Wu D14/205
 D840,971 S * 2/2019 Summerson D14/205
 D848,395 S * 5/2019 Kelley D14/205
 D851,062 S * 6/2019 Saule D14/205
 D857,655 S * 8/2019 Saule D14/205
 D858,481 S * 9/2019 Saule D14/205
 D860,163 S * 9/2019 Xia D14/205
 10,405,079 B2 * 9/2019 Levine H04R 1/1033
 D868,024 S * 11/2019 Dryden D14/205
 D868,733 S * 12/2019 Luo D14/205
 D871,368 S * 12/2019 Saule D14/205
 D872,049 S * 1/2020 Saule D14/205
 D876,388 S * 2/2020 Carr D14/205
 D877,714 S * 3/2020 Dhondt D14/205
 D878,329 S * 3/2020 Levine D14/205
 D883,949 S * 5/2020 Hu D14/205
 D890,123 S * 7/2020 Yoshimura D14/205
 10,721,550 B2 * 7/2020 Bunney G06F 3/165
 D900,782 S * 11/2020 Vaclavik D14/205
 D913,990 S * 3/2021 Saule D14/206
 D921,607 S * 6/2021 Saule D14/205
 D928,114 S * 8/2021 Terazaki D14/205
 11,109,135 B1 * 8/2021 Corona Aparicio . H04R 1/1066
 D936,631 S * 11/2021 Qin D14/205
 D938,934 S * 12/2021 Tsubone D14/205
 D944,759 S * 3/2022 Vaclavik D14/205
 D944,761 S * 3/2022 Lee D14/205
 D954,019 S * 6/2022 Shyu D14/205
 D964,314 S * 9/2022 Chen D14/205
 D974,327 S * 1/2023 Shyu D14/205

D976,228 S * 1/2023 Zheng D14/205
 D991,216 S * 7/2023 Peng D14/206
 D991,218 S * 7/2023 He D14/205
 D991,904 S * 7/2023 Wagner D14/205
 D991,906 S * 7/2023 Cheng D14/205
 D993,936 S * 8/2023 Tang D14/205
 D1,003,856 S * 11/2023 Liu D14/205
 D1,004,570 S * 11/2023 Fu D14/205
 2004/0213428 A1 * 10/2004 Lenhard-Backhaus
 H04R 1/1066
 381/370
 2009/0110226 A1 * 4/2009 Ishida H04R 1/1008
 381/370
 2011/0142249 A1 * 6/2011 Shinozaki H04R 1/1091
 381/384
 2016/0165021 A1 * 6/2016 Broadley H04M 1/0258
 455/569.1
 2018/0324515 A1 * 11/2018 Boesen H04R 1/1041
 2020/0296501 A1 * 9/2020 Freeman H04R 1/1083
 2022/0279267 A1 * 9/2022 Johnson H04R 1/1008

FOREIGN PATENT DOCUMENTS

EM 006368080-0001 * 4/2019
 EM 006597175-0001 * 6/2019
 EM 007434089-0005 * 12/2019
 EM 007437249-0003 * 12/2019
 EM 008731046-0001 * 10/2021
 EM 015038712-0001 * 10/2023
 GB 9006563276-0001 * 6/2019
 JP D1455296 * 10/2012

* cited by examiner

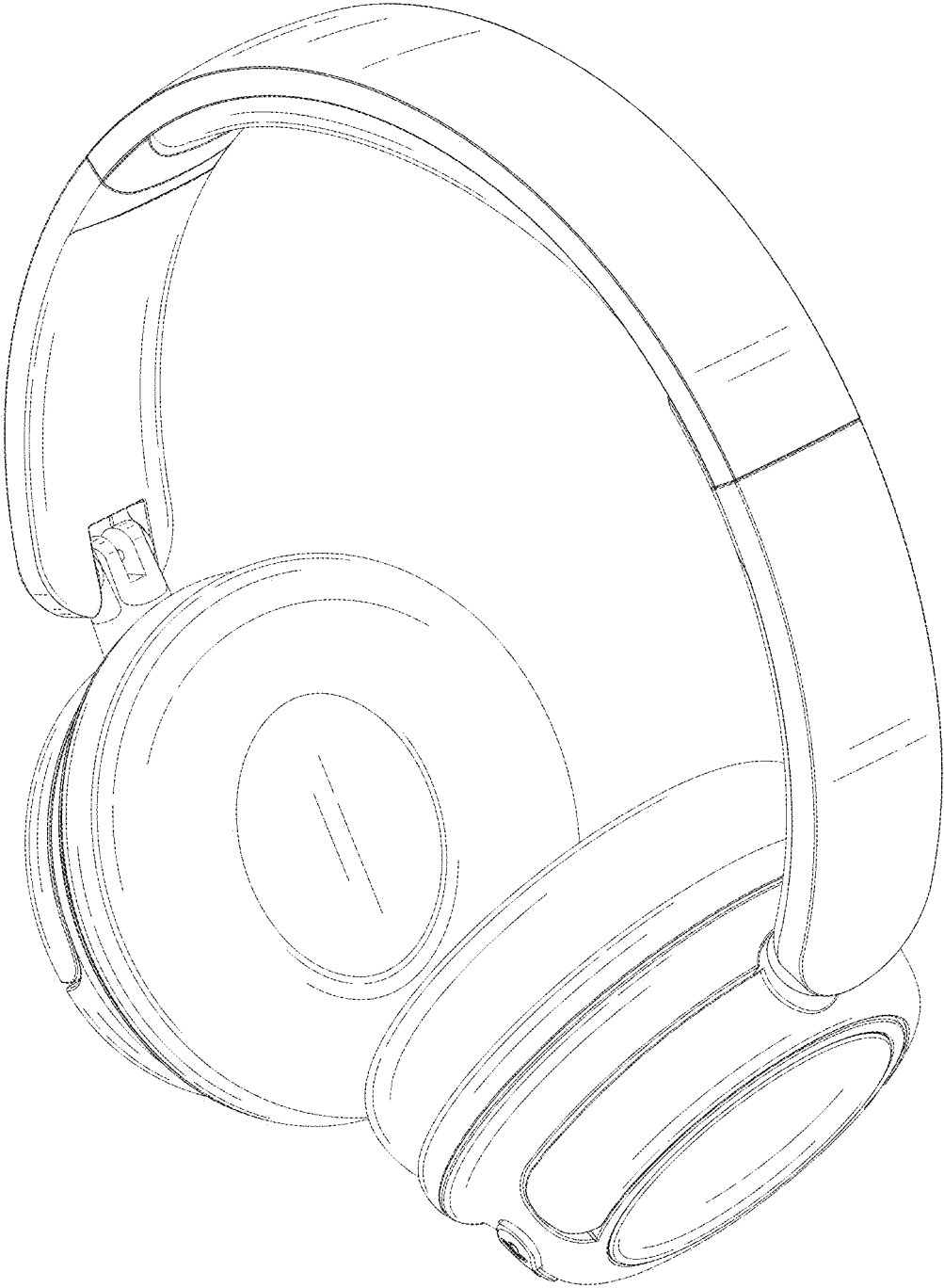


FIG. 1



FIG. 2



FIG. 3



FIG. 4

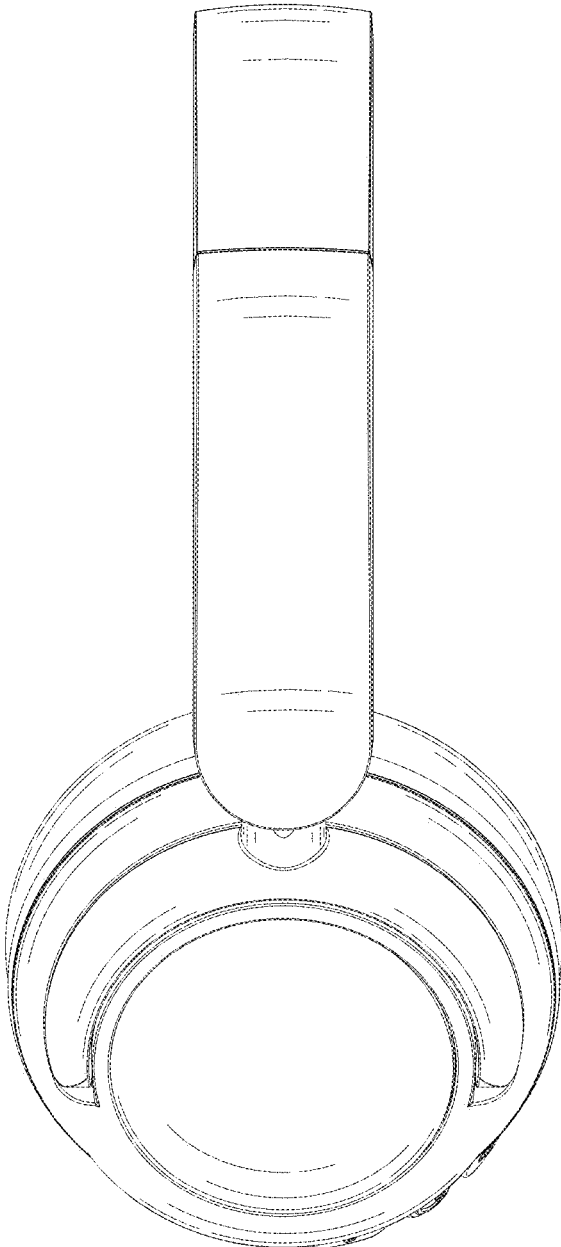


FIG. 5

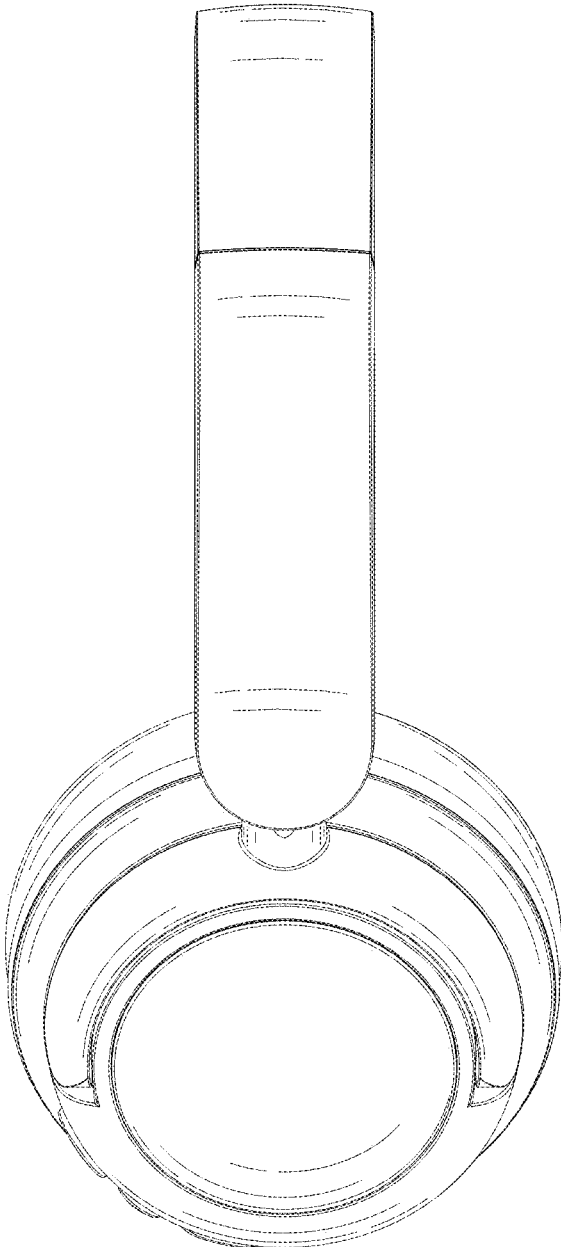


FIG. 6

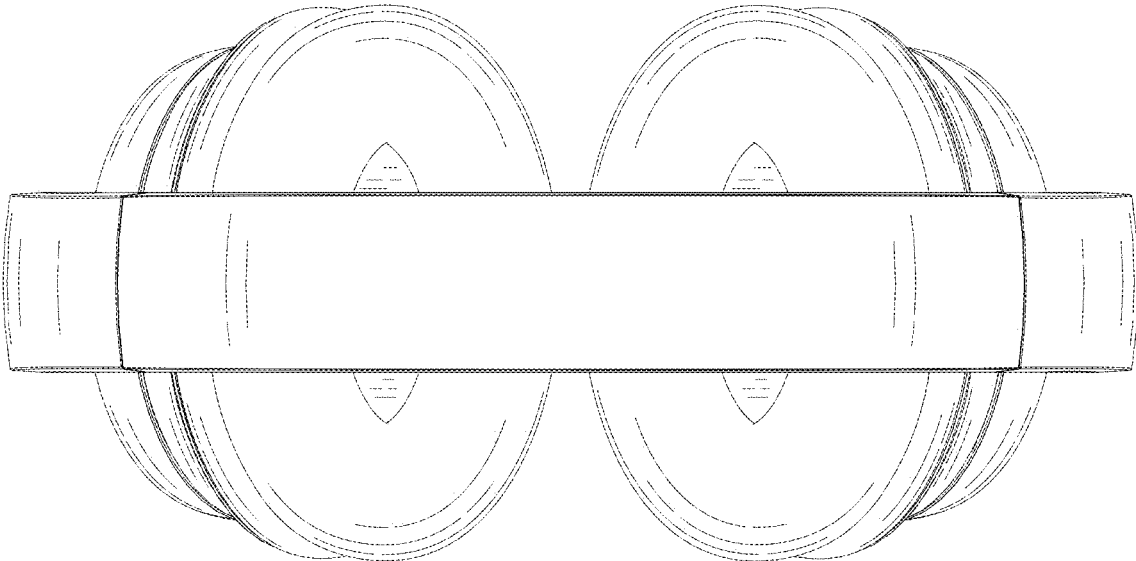


FIG. 7

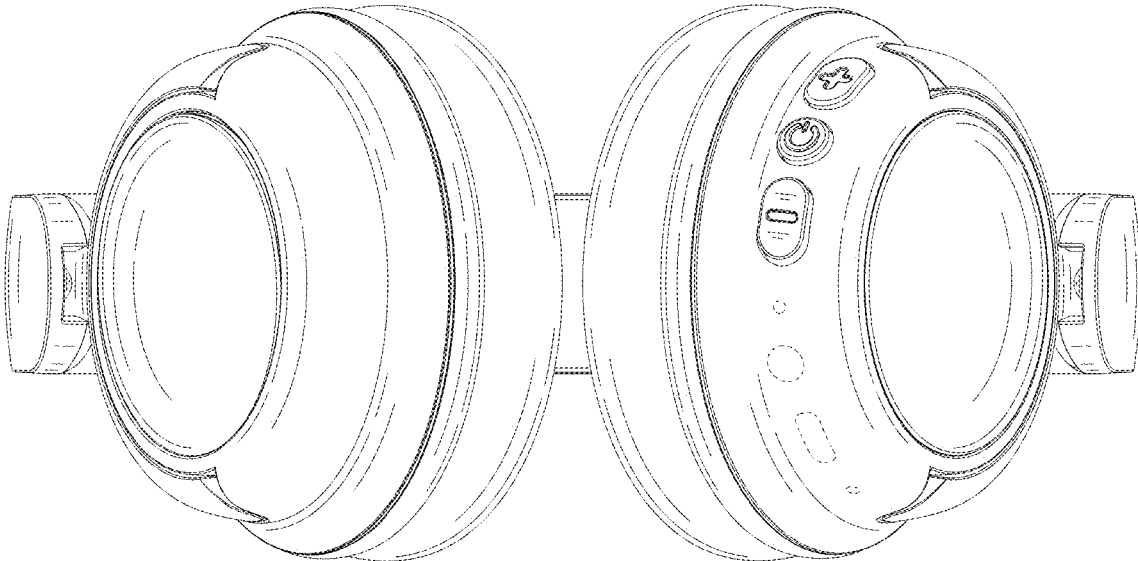


FIG. 8