



US00D652739S

(12) **United States Design Patent**
Komai

(10) **Patent No.:** **US D652,739 S**

(45) **Date of Patent:** **** Jan. 24, 2012**

- (54) **TUBE**
- (75) Inventor: **Mao Komai**, Tokyo (JP)
- (73) Assignee: **Shiseido Co., Ltd.**, Tokyo (JP)
- (**) Term: **14 Years**
- (21) Appl. No.: **29/371,685**
- (22) Filed: **Jul. 8, 2011**
- (51) **LOC (9) Cl.** **09-03**
- (52) **U.S. Cl.** **D9/697**
- (58) **Field of Classification Search** D9/695-699,
D9/702-703, 705, 707-708, 711-712, 521,
D9/571-574, 516, 522, 541, 556-560, 723-729,
D9/447, 442-443, 453; 215/355, 380-381;
222/212, 92, 95-96, 107, 215, 531, 386,
222/536; 220/669, DIG. 7; D28/91.1, 76-78,
D28/82, 88; D4/114; D24/119
See application file for complete search history.

- D512,647 S * 12/2005 Py et al. D9/695
- D532,701 S * 11/2006 Spencer D9/699
- D555,508 S * 11/2007 Py et al. D9/695
- D558,061 S * 12/2007 Py et al. D9/695
- D642,931 S * 8/2011 Nickel et al. D9/697
- D642,932 S * 8/2011 Nickel et al. D9/699

* cited by examiner

Primary Examiner — Caron D Veynar
Assistant Examiner — Abraham Bahta
(74) *Attorney, Agent, or Firm* — Manabu Kanesaka

(56) **References Cited**

U.S. PATENT DOCUMENTS

- D376,100 S * 12/1996 Beaver D9/697
- D414,688 S * 10/1999 Loeb et al. D9/697

(57) **CLAIM**
The ornamental design for a tube, as shown and described.

DESCRIPTION

FIG. 1 is a perspective view of a tube showing my new design; FIG. 2 is a front view thereof; a rearview being symmetrical to the front view; FIG. 3 is a plan view thereof; a bottom view being identical to the plan view; FIG. 4 is a left side view thereof; and, FIG. 5 is a right side view thereof.

1 Claim, 3 Drawing Sheets

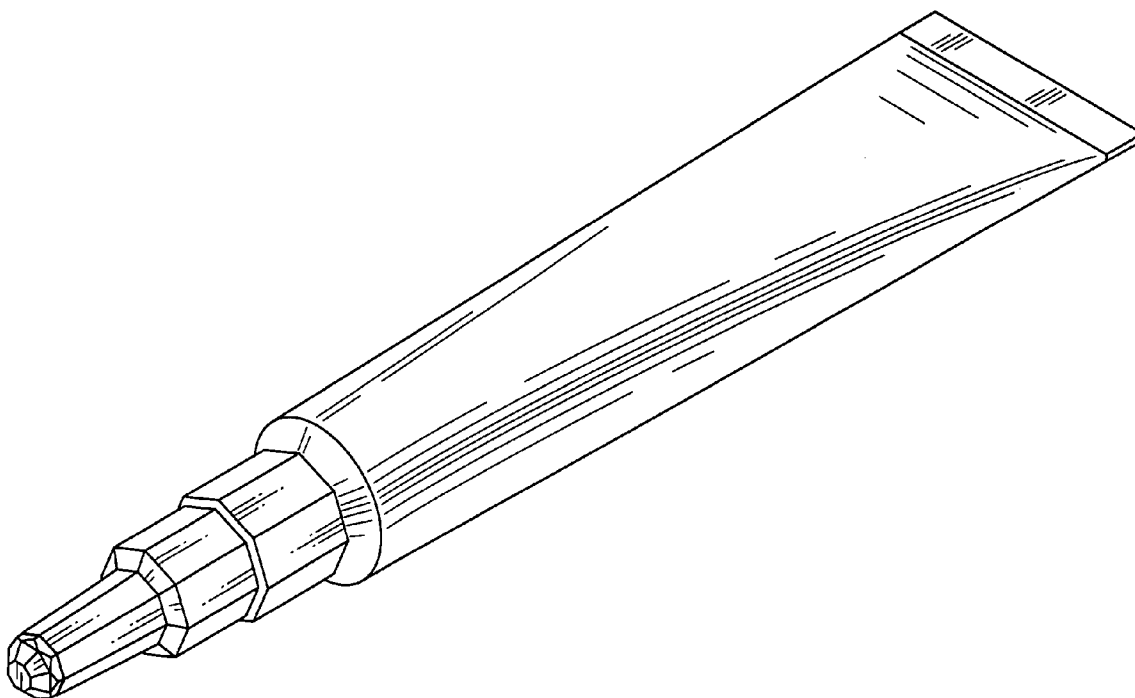


Fig. 1

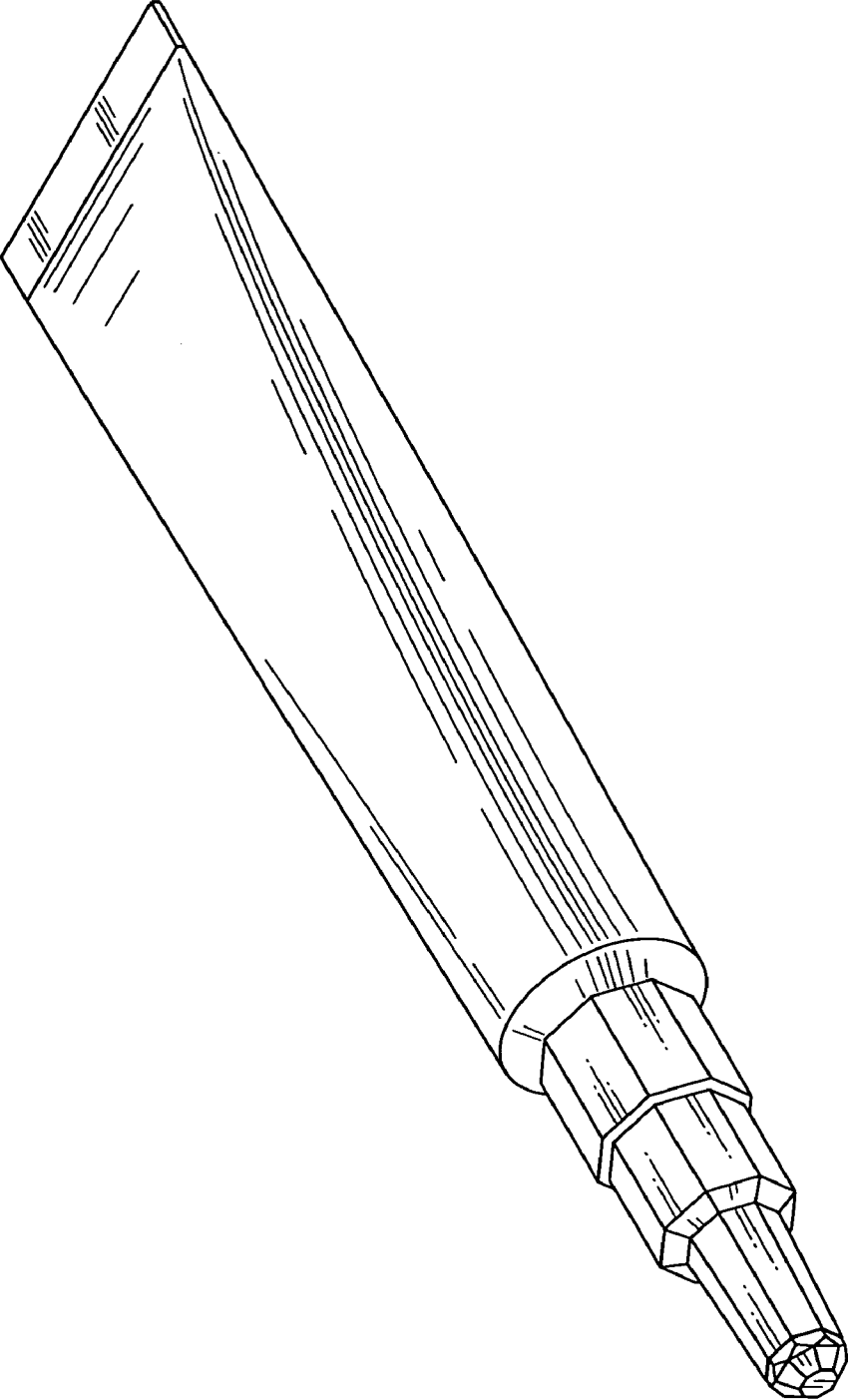


Fig. 2

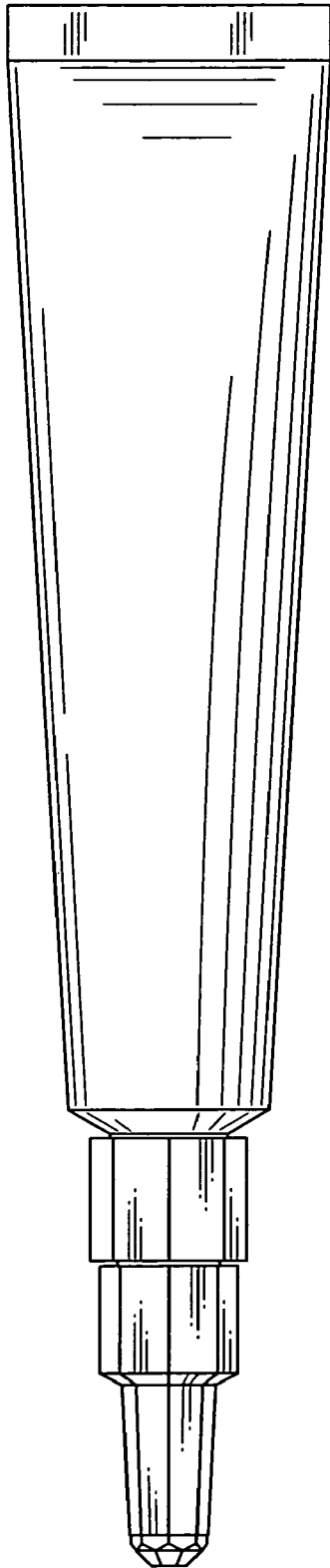


Fig. 3

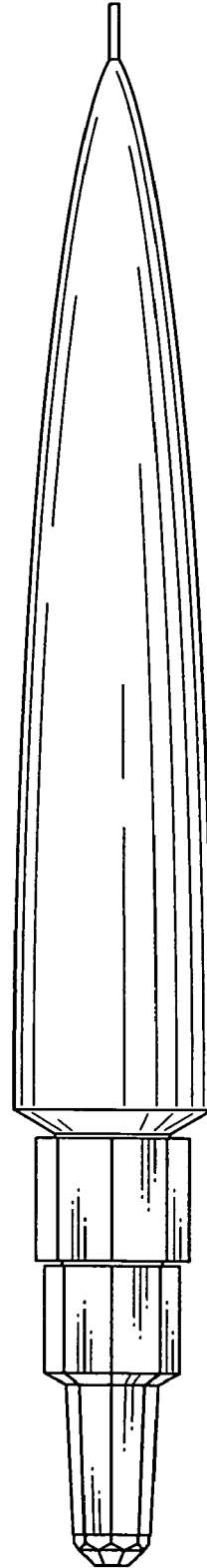


Fig. 5

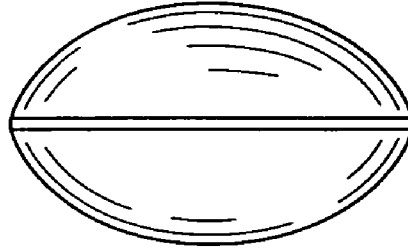


Fig. 4

