



US00D511936S

(12) **United States Design Patent**
Becker et al.

(10) **Patent No.:** **US D511,936 S**

(45) **Date of Patent:** **** Nov. 29, 2005**

(54) **OVEN DOOR VENT/HANDLE ASSEMBLY FOR A COOKING APPLIANCE**

D424,873 S 5/2000 Holbrook

Primary Examiner—Robert A. Delehanty
(74) *Attorney, Agent, or Firm*—Diederiks & Whitelaw, PLC; Allan P. Orsund

(75) Inventors: **Theodore A. Becker**, Cleveland, TN (US); **Kevin D. Kinch**, Ankeny, IA (US); **Inho Andy Shin**, Cleveland, TN (US); **Russell L. Simms**, Cleveland, TN (US); **Liana Y. Webb**, Ooltewah, TN (US)

(57) **CLAIM**

The ornamental design for an oven door vent/handle assembly for a cooking appliance, as shown and described.

(73) Assignee: **Maytag Corporation**, Newton, IA (US)

DESCRIPTION

(**) Term: **14 Years**

FIG. 1 is an upper right perspective view of our new oven door vent/handle assembly design for a cooking appliance; FIG. 2 is an enlarged, upper right perspective view of the oven door vent/handle assembly of FIG. 1; FIG. 3 is a front elevational view of the oven door vent/handle assembly of the invention; FIG. 4 is a top view of the oven door vent/handle assembly of the invention; and, FIG. 5 is a right side elevational view of the oven door vent/handle assembly of the invention, with the left side view being a mirror image thereof.

(21) Appl. No.: **29/191,468**

(22) Filed: **Oct. 9, 2003**

(51) **LOC (8) Cl.** **07-02**

(52) **U.S. Cl.** **D7/406**

(58) **Field of Search** D7/406, 348, 349; D32/28; 34/524, 88; 312/31; 126/183, 52, 19 R, 273 R, 42, 39 B, 190, 198, 1 R, 37 R, 39 R, 21 R, 19 M, 273 A

The broken lines showing an overall cooking appliance, cooktop, control panel, control knobs, oven door and lower front storage drawer are for illustrative purposes only and form no part of the claimed invention.

(56) **References Cited**

U.S. PATENT DOCUMENTS

5,562,090 A 10/1996 Katz
5,819,722 A 10/1998 Katz

1 Claim, 4 Drawing Sheets

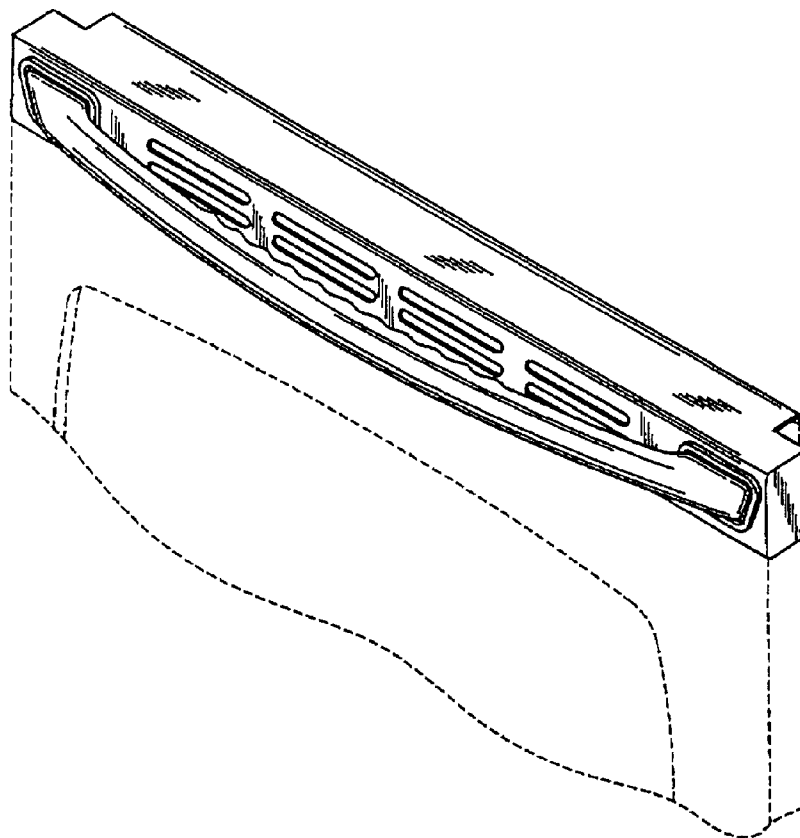


FIG. 1

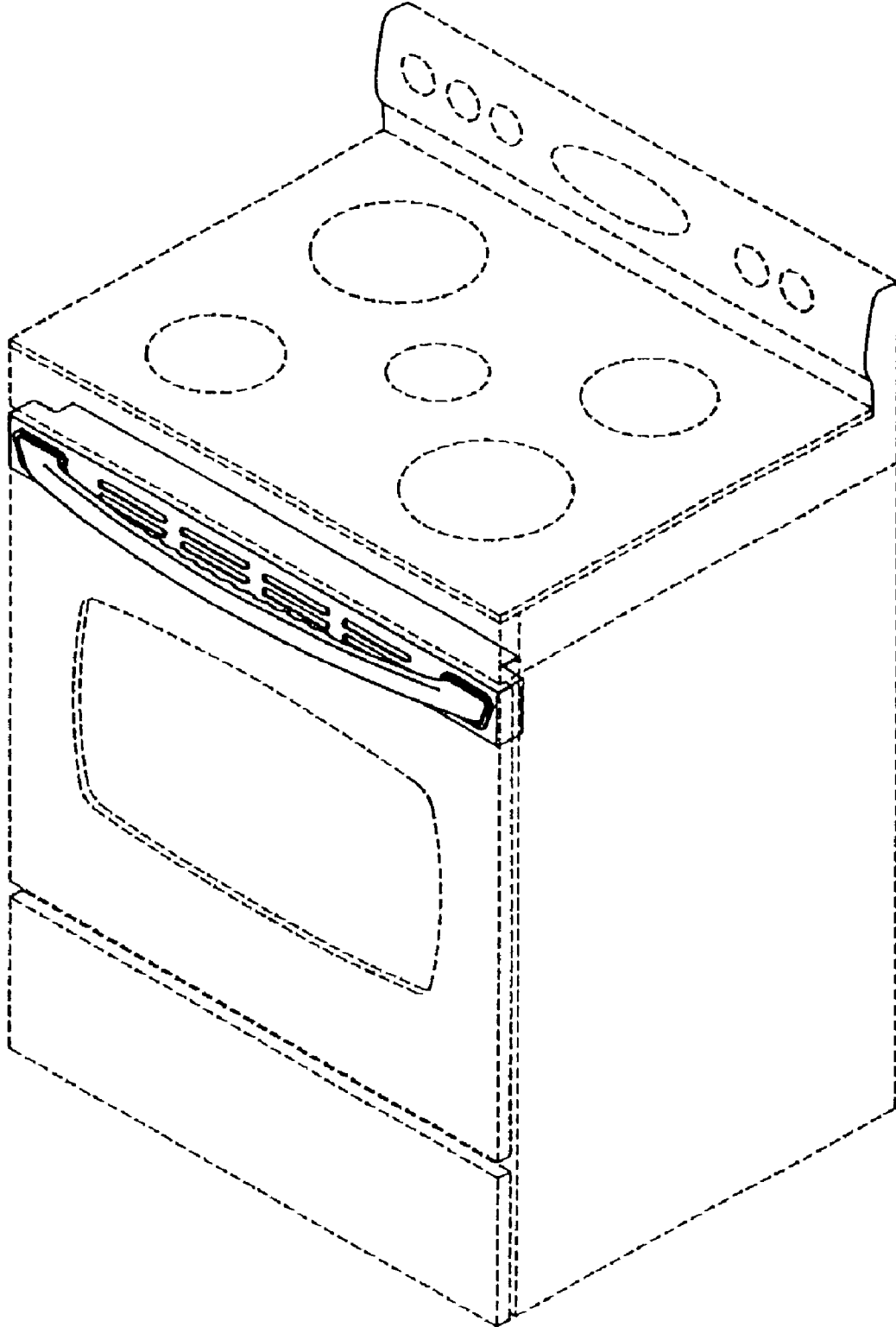


FIG. 2

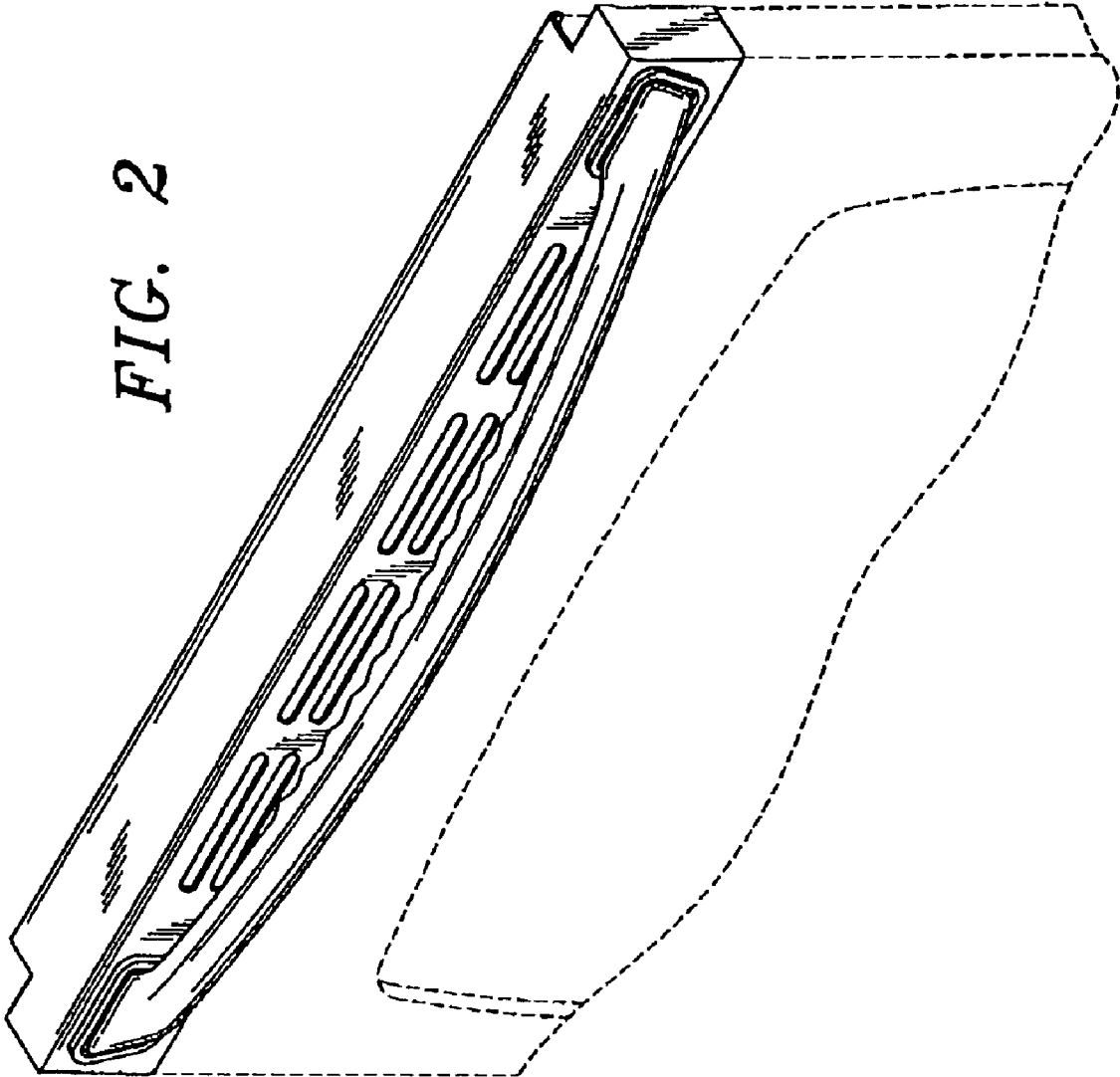


FIG. 3

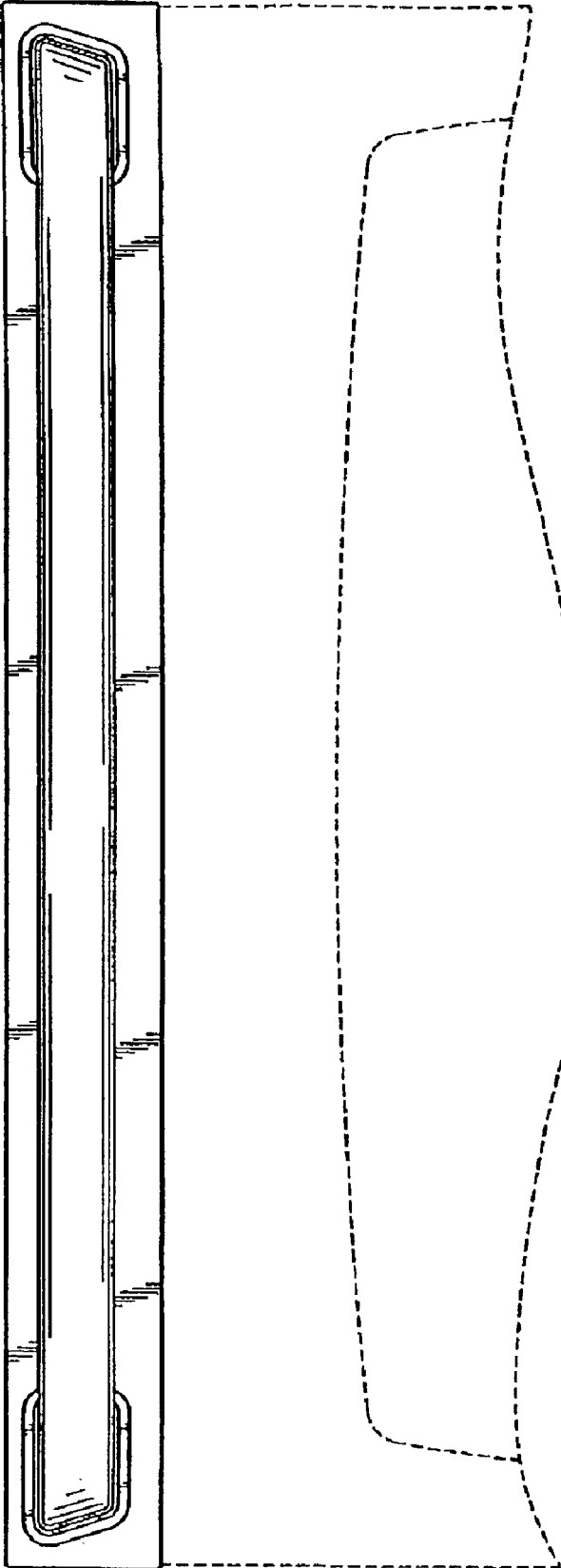


FIG. 4

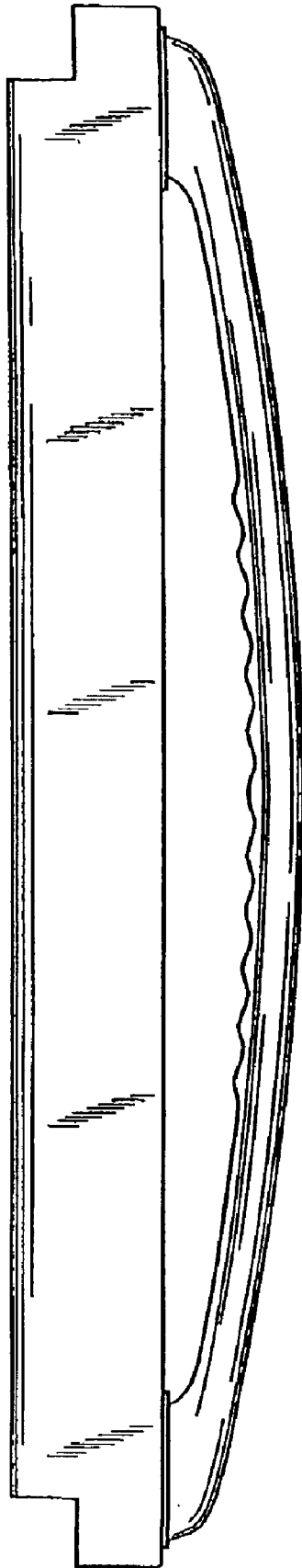


FIG. 5

