



US00D638799S

(12) **United States Design Patent**
The

(10) **Patent No.:** **US D638,799 S**

(45) **Date of Patent:** **** May 31, 2011**

(54) **FEMALE CONNECTOR**

(75) Inventor: **Agus Suryana The**, Mesa, AZ (US)

(73) Assignee: **iGo, Inc.**, Scottsdale, AZ (US)

(**) Term: **14 Years**

(21) Appl. No.: **29/361,043**

(22) Filed: **May 4, 2010**

Related U.S. Application Data

(62) Division of application No. 29/339,687, filed on Jul. 6, 2009, now Pat. No. Des. 617,272.

(51) **LOC (9) Cl.** **13-03**

(52) **U.S. Cl.** **D13/154**

(58) **Field of Classification Search** D13/133,
D13/146, 147, 151, 154, 184, 199; 439/246,
439/252, 306, 476.1, 578, 580, 583, 584,
439/585, 805; 174/75 C

See application file for complete search history.

(56) **References Cited**

U.S. PATENT DOCUMENTS

D381,628 S *	7/1997	Ashida	D13/147
D412,312 S *	7/1999	Myers	D13/146
D435,830 S *	1/2001	Cheng	D13/133
D562,769 S *	2/2008	Ashida et al.	D13/133

D574,775 S *	8/2008	Amidon	D13/133
D586,750 S *	2/2009	Li	D13/133
D588,549 S *	3/2009	Lee et al.	D13/154
D596,125 S *	7/2009	Norin et al.	D13/133
D597,946 S *	8/2009	Li	D13/133
D616,821 S *	6/2010	The	D13/133
D617,272 S *	6/2010	The	D13/133

* cited by examiner

Primary Examiner — Thomas J Johannes

(74) *Attorney, Agent, or Firm* — Snell & Wilmer L.L.P.

(57) **CLAIM**

The ornamental design for the female connector, as shown and described.

DESCRIPTION

FIG. 1 is a perspective view of a female connector showing my new design;

FIG. 2 is a front elevation view thereof;

FIG. 3 is a back elevation view thereof;

FIG. 4 is a bottom plan view thereof;

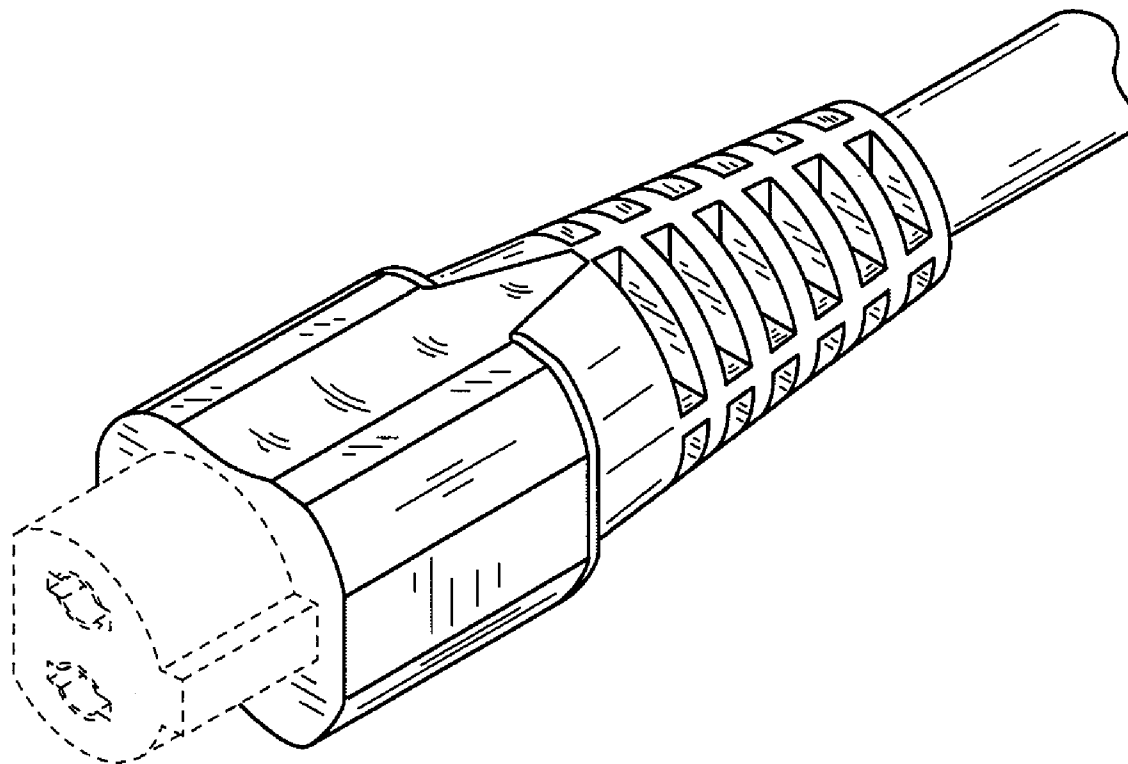
FIG. 5 is a top plan view thereof;

FIG. 6 is a first side elevation view thereof; and,

FIG. 7 is a second side elevation view thereof.

The broken line portion of the figure drawings is included to show unclaimed subject matter only and forms no part of the claimed design.

1 Claim, 4 Drawing Sheets



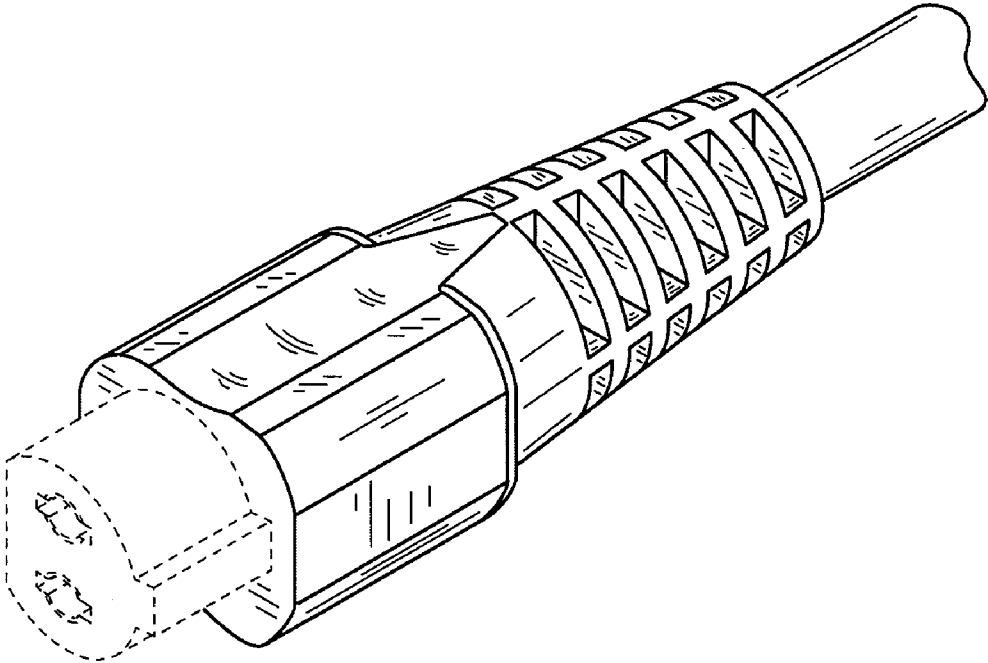


FIG.1

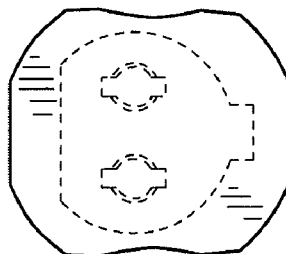


FIG. 2

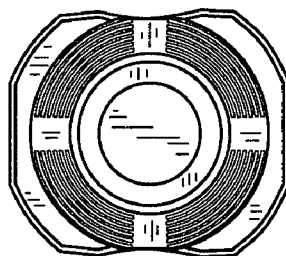


FIG. 3

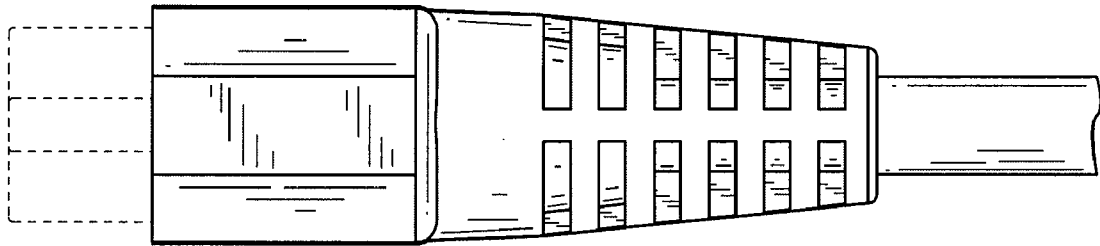


FIG. 4

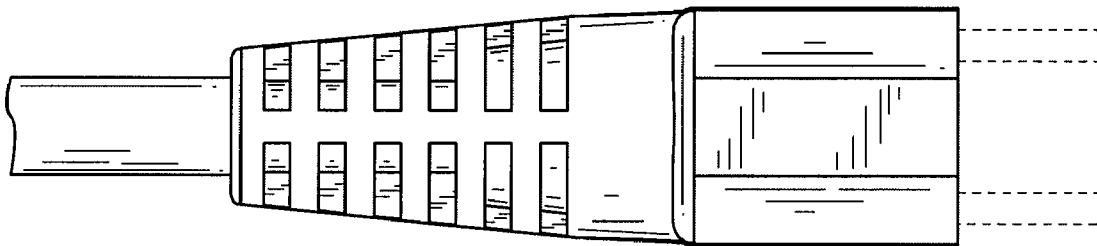


FIG. 5

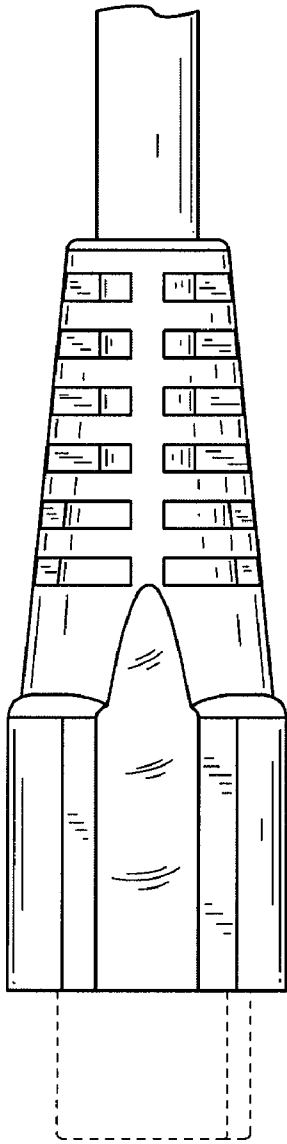


FIG. 6

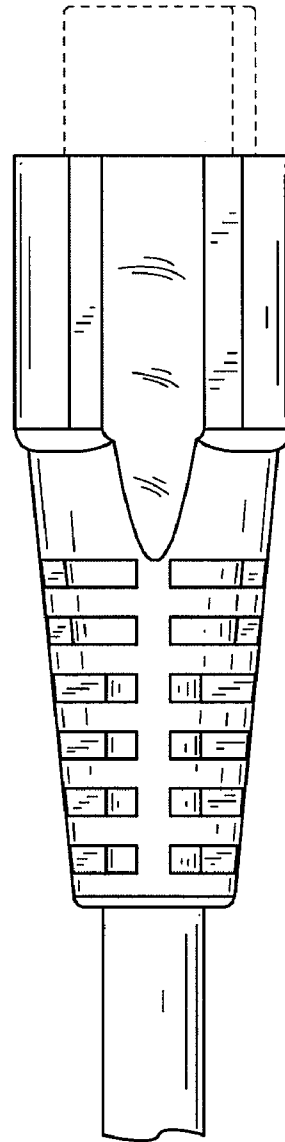


FIG. 7