

(19) World Intellectual Property Organization  
International Bureau



(43) International Publication Date  
19 February 2004 (19.02.2004)

PCT

(10) International Publication Number  
WO 2004/014737 A3

(51) International Patent Classification<sup>7</sup>: B65C 9/02, 9/18

(21) International Application Number:  
PCT/US2003/024686

(22) International Filing Date: 6 August 2003 (06.08.2003)

(25) Filing Language: English

(26) Publication Language: English

(30) Priority Data:  
60/401,340 7 August 2002 (07.08.2002) US  
10/215,249 9 August 2002 (09.08.2002) US

(71) Applicant (for all designated States except US): MEDCO HEALTH SOLUTIONS, INC. [US/US]; 100 Parsons Pond Drive, Franklin Lakes, NJ 07417-2603 (US).

(72) Inventors; and

(75) Inventors/Applicants (for US only): McERLEAN,

James, G. [US/US]; 1 Walnut Place, Allendale, NJ 07401 (US). LEU, Chih-Jen [US/US]; 42 Independence Drive, East Brunswick, NJ 08816 (US). SZESKO, Michael, Joseph [US/US]; 325 Georgia Road, Freehold, NJ 07728 (US).

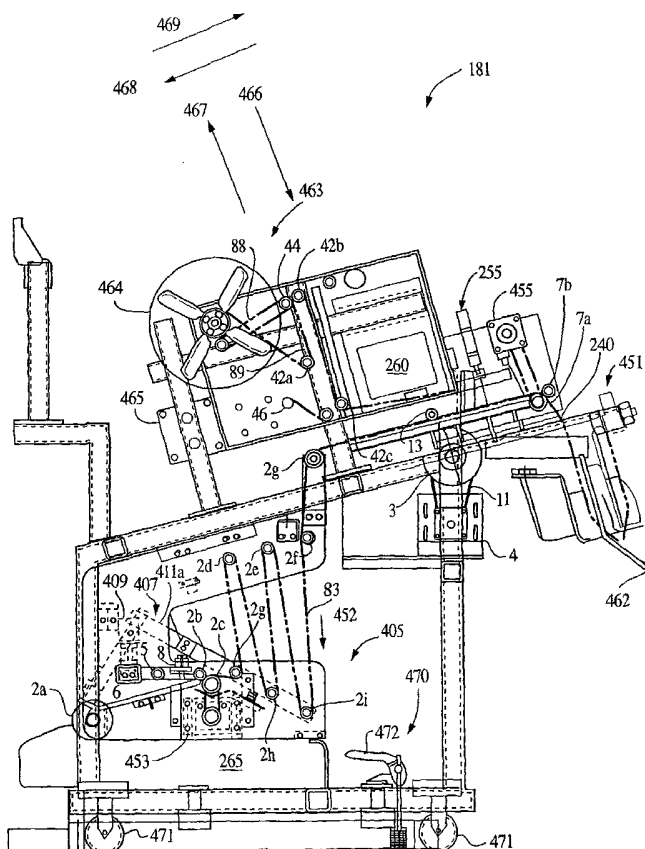
(74) Agents: DONNER, Irah, H. et al.; Hale and Dorr LLP, The Willard Office Building, 1455 Pennsylvania Avenue, N.W., Washington, DC 20004 (US).

(81) Designated States (national): AE, AG, AL, AM, AT, AU, AZ, BA, BB, BG, BR, BY, BZ, CA, CH, CN, CO, CR, CZ, DE, DK, DM, DZ, EC, EE, ES, FI, GB, GD, GE, GH, GM, HR, HU, ID, IL, IN, IS, JP, KE, KG, KR, KZ, LC, LK, LR, LS, LT, LU, LV, MA, MD, MG, MK, MN, MW, MX, MZ, NI, NO, NZ, OM, PG, PH, PL, PT, RO, RU, SC, SD, SE, SG, SK, SL, SY, TJ, TM, TN, TR, TT, TZ, UA, UG, US, UZ, VC, VN, YU, ZA, ZM, ZW.

(84) Designated States (regional): ARIPO patent (GH, GM, KE, LS, MW, MZ, SD, SL, SZ, TZ, UG, ZM, ZW),

[Continued on next page]

(54) Title: SYSTEM FOR LABELING BAGS



(57) Abstract: A system and method places a printed label on a bag (83). A first plurality of rollers (2a, 2b, 2c) can feed one or more bags, and a second plurality of rollers (42a, 42b, 42c) can feed one or more labels. A tamp pad (504) can place the label on the bag.

WO 2004/014737 A3



Eurasian patent (AM, AZ, BY, KG, KZ, MD, RU, TJ, TM),  
European patent (AT, BE, BG, CH, CY, CZ, DE, DK, EE,  
ES, FI, FR, GB, GR, HU, IE, IT, LU, MC, NL, PT, RO,  
SE, SI, SK, TR), OAPI patent (BF, BJ, CF, CG, CI, CM,  
GA, GN, GQ, GW, ML, MR, NE, SN, TD, TG).

*For two-letter codes and other abbreviations, refer to the "Guidance Notes on Codes and Abbreviations" appearing at the beginning of each regular issue of the PCT Gazette.*

**Published:**

— *with international search report*

**(88) Date of publication of the international search report:**

15 April 2004

INTERNATIONAL SEARCH REPORT

International Application No

US 03/24686

A. CLASSIFICATION OF SUBJECT MATTER  
 IPC 7 B65C9/02 B65C9/18

According to International Patent Classification (IPC) or to both national classification and IPC

B. FIELDS SEARCHED

Minimum documentation searched (classification system followed by classification symbols)  
 IPC 7 B65C

Documentation searched other than minimum documentation to the extent that such documents are included in the fields searched

Electronic data base consulted during the international search (name of data base and, where practical, search terms used)

EPO-Internal, WPI Data, PAJ

C. DOCUMENTS CONSIDERED TO BE RELEVANT

Category °	Citation of document, with indication, where appropriate, of the relevant passages	Relevant to claim No.
Y	US 5 298 104 A (ABSHER SCOTT) 29 March 1994 (1994-03-29) column 4, line 14 - line 19 column 4, line 28 - line 36 column 4, line 46 - line 48 column 6, line 1-12 column 6, line 31 - line 33 figures 2,3,5	1, 20, 37, 50, 51
Y	US 2001/017817 A1 (DE LA HUERGA CARLOS) 30 August 2001 (2001-08-30) paragraph '0025! paragraph '0030! paragraph '0114!	1, 20, 37, 50, 51
A	GB 990 140 A (MIDLAND ROSS CORP) 28 April 1965 (1965-04-28)	

Further documents are listed in the continuation of box C.

Patent family members are listed in annex.

° Special categories of cited documents:

- \*A\* document defining the general state of the art which is not considered to be of particular relevance
- \*E\* earlier document but published on or after the international filing date
- \*L\* document which may throw doubts on priority claim(s) or which is cited to establish the publication date of another citation or other special reason (as specified)
- \*O\* document referring to an oral disclosure, use, exhibition or other means
- \*P\* document published prior to the international filing date but later than the priority date claimed

- \*T\* later document published after the international filing date or priority date and not in conflict with the application but cited to understand the principle or theory underlying the invention
- \*X\* document of particular relevance; the claimed invention cannot be considered novel or cannot be considered to involve an inventive step when the document is taken alone
- \*Y\* document of particular relevance; the claimed invention cannot be considered to involve an inventive step when the document is combined with one or more other such documents, such combination being obvious to a person skilled in the art.
- \*&\* document member of the same patent family

Date of the actual completion of the international search

Date of mailing of the international search report

19 January 2004

29/01/2004

Name and mailing address of the ISA

European Patent Office, P.B. 5818 Patentlaan 2  
 NL - 2280 HV Rijswijk  
 Tel. (+31-70) 340-2040, Tx. 31 651 epo nl,  
 Fax: (+31-70) 340-3016

Authorized officer

Martínez Navarro, A.

## INTERNATIONAL SEARCH REPORT

International Application No

PCT/US 03/24686

C.(Continuation) DOCUMENTS CONSIDERED TO BE RELEVANT		
Category °	Citation of document, with indication, where appropriate, of the relevant passages	Relevant to claim No.
A	EP 0 328 003 A (SUN TEC CO LTD ;KANZAKI PAPER MFG CO LTD (JP)) 16 August 1989 (1989-08-16) ---	
A	US 3 933 564 A (JENSEN OLE ROGER) 20 January 1976 (1976-01-20) ---	
A	WO 99 17218 A (CLONINGER TIMOTHY N) 8 April 1999 (1999-04-08) ---	
A	US 4 595 447 A (LINDSTROM JOHN W) 17 June 1986 (1986-06-17) ---	
A	PATENT ABSTRACTS OF JAPAN vol. 1996, no. 06, 28 June 1996 (1996-06-28) & JP 08 052198 A (TOKYO SHOKAI:KK), 27 February 1996 (1996-02-27) abstract ---	
A	PATENT ABSTRACTS OF JAPAN vol. 1995, no. 02, 31 March 1995 (1995-03-31) & JP 06 315519 A (TOKYO SHOKAI:KK), 15 November 1994 (1994-11-15) abstract -----	

## INTERNATIONAL SEARCH REPORT

International Application No

US 03/24686

Patent document cited in search report	Publication date	Patent family member(s)	Publication date
US 5298104	A	29-03-1994	NONE
US 2001017817	A1	30-08-2001	US 6259654 B1 10-07-2001 US 5852590 A 22-12-1998 US 6529446 B1 04-03-2003 US 6611733 B1 26-08-2003 AU 1811800 A 22-05-2000 CA 2349192 A1 11-05-2000 US 2002084904 A1 04-07-2002 WO 0025720 A2 11-05-2000 US 6255951 B1 03-07-2001 US 2003099158 A1 29-05-2003 US 6346886 B1 12-02-2002
GB 990140	A	28-04-1965	NONE
EP 0328003	A	16-08-1989	JP 1213132 A 25-08-1989 JP 1867948 C 26-08-1994 JP 5071460 B 07-10-1993 JP 1213134 A 25-08-1989 JP 1867949 C 26-08-1994 JP 5071461 B 07-10-1993 JP 1254536 A 11-10-1989 JP 1867953 C 26-08-1994 JP 5071462 B 07-10-1993 DE 68900727 D1 05-03-1992 EP 0328003 A1 16-08-1989 US 4931127 A 05-06-1990
US 3933564	A	20-01-1976	DK 128408 B 29-04-1974 DK 128840 B 15-07-1974 AT 327668 B 10-02-1976 AT 314273 A 15-04-1975 BE 798632 A1 24-10-1973 CA 986890 A1 06-04-1976 CH 560131 A5 27-03-1975 DE 2318862 A1 28-02-1974 FR 2197371 A5 22-03-1974 GB 1420390 A 07-01-1976 NL 7306481 A 26-02-1974 AU 6065373 A 27-03-1975
WO 9917218	A	08-04-1999	AU 1064399 A 23-04-1999 WO 9917218 A1 08-04-1999
US 4595447	A	17-06-1986	NONE
JP 08052198	A	27-02-1996	NONE
JP 06315519	A	15-11-1994	JP 2835917 B2 14-12-1998