



US00D393619S

# United States Patent [19]

[11] Patent Number: Des. 393,619

Jeffer et al.

[45] Date of Patent: \*\*Apr. 21, 1998

[54] **ARTICULATED WINDSHIELD WIPER BLADE ASSEMBLY**

[75] Inventors: **Peter H. Jeffer**, New York, N.Y.;  
**Michel Fernandes**, E. Freetown, Mass.

[73] Assignee: **New-View Windshield Wiper, L.P.**,  
New York, N.Y.

[\*\*] Term: **14 Years**

[21] Appl. No.: **64,765**

[22] Filed: **Jan. 10, 1997**

### Related U.S. Application Data

[63] Continuation of Ser. No. 708,669, Sep. 5, 1996, Pat. No. 5,644,814.

[51] **LOC (6) Cl.** ..... **12-06**

[52] **U.S. Cl.** ..... **D12/220**

[58] **Field of Search** ..... D12/220, 219;  
15/250.05-250.07, 250.31-250.33, 250.351,  
250.361, 250.38, 250.4-250.41, 250.42

### [56] References Cited

#### U.S. PATENT DOCUMENTS

D. 213,100	1/1969	Rickett	.....	D12/220
D. 301,329	5/1989	Cavicchioli	.....	D12/220
D. 353,358	12/1994	Lee	.....	D12/220
D. 365,079	12/1995	Abbott et al.	.....	D12/220
2,179,451	11/1939	Horton	.....	
3,099,031	7/1963	Ludwig	.....	
3,667,083	6/1972	Linker	.....	15/250.41 X

3,766,591	10/1973	Soito	.....	
4,698,874	10/1987	Fritz, Jr.	.....	
5,392,488	2/1995	Li	.....	
5,572,764	11/1996	Fernandes et al.	.....	15/250.451 X
5,625,919	5/1997	Jeffer	.....	15/250.41

### FOREIGN PATENT DOCUMENTS

1033520	4/1953	France	.....
1047648	7/1953	France	.....
59350	1/1954	France	.....
138048	10/1981	Japan	.....
636231	4/1950	United Kingdom	.....
2189383	10/1987	United Kingdom	.....

*Primary Examiner*—James Gandy  
*Assistant Examiner*—Stacia Sinuik  
*Attorney, Agent, or Firm*—Salter & Michaelson

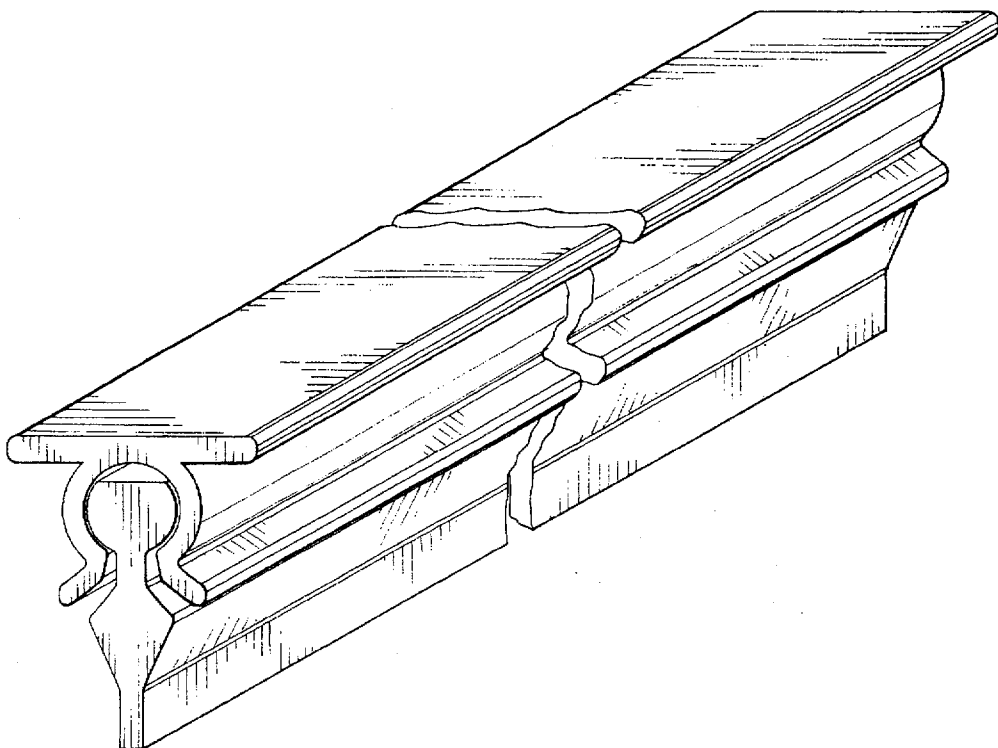
### [57] CLAIM

The ornamental design for an articulated windshield wiper blade assembly, as shown and described.

### DESCRIPTION

FIG. 1 is a fragmented perspective view showing our new design for a windshield wiper blade assembly; FIG. 2 is a front end view thereof, the rear end view being identical; FIG. 3 is a fragmented right side view thereof, the left side view being identical; FIG. 4 is a fragmented top view thereof; and FIG. 5 is a fragmented bottom view thereof. The wiper is shown broken away in FIGS. 1, 3, 4, and 5 to indicate indeterminate length.

**1 Claim, 2 Drawing Sheets**



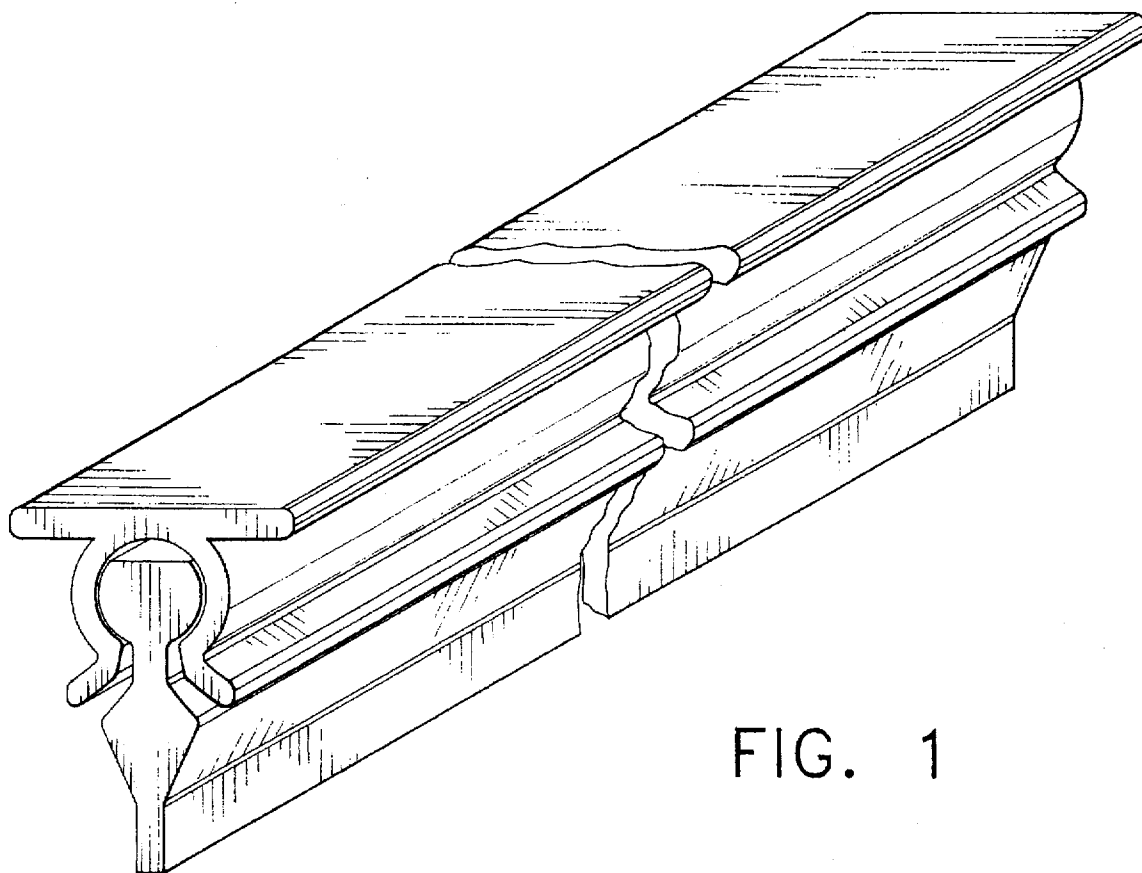


FIG. 1

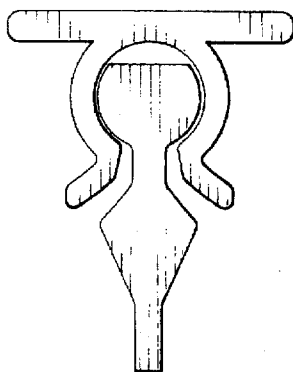


FIG. 2

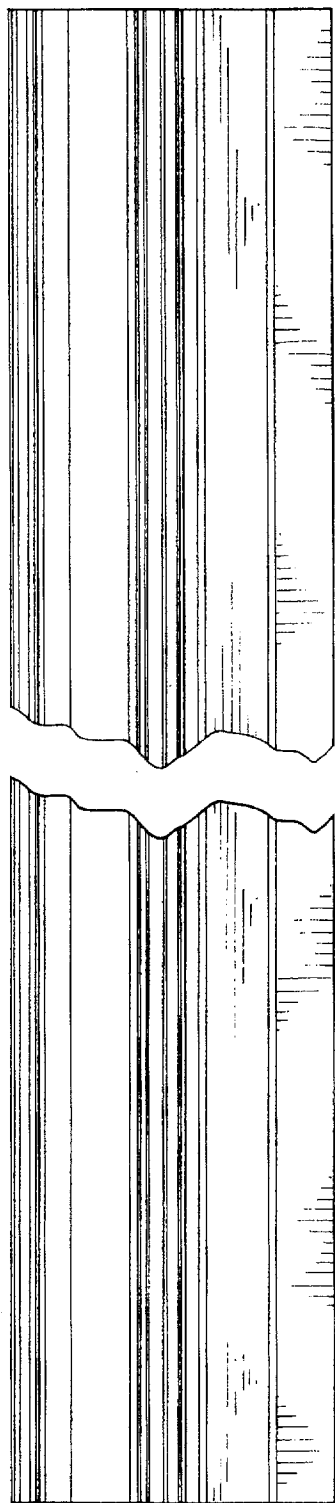


FIG. 3

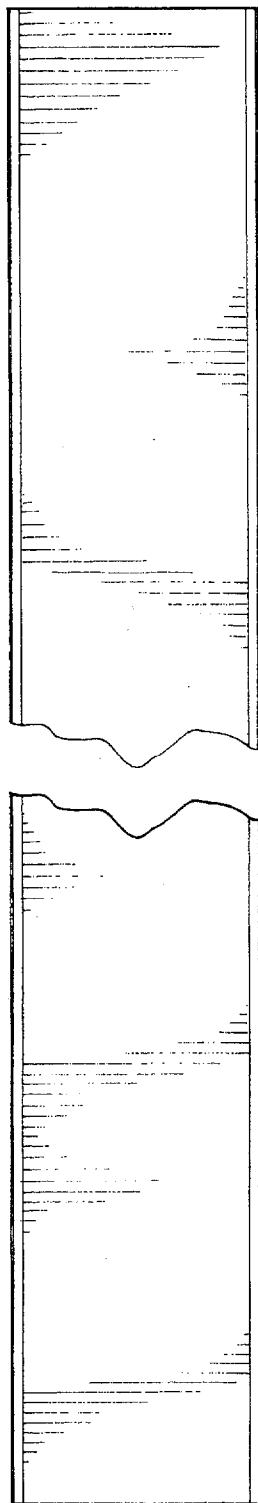


FIG. 4

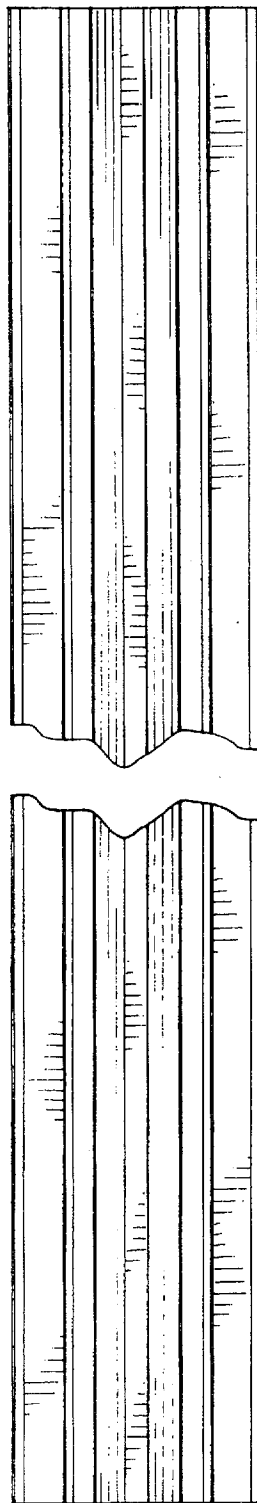


FIG. 5