



US00D802688S

(12) **United States Design Patent**
Sun

(10) **Patent No.:** **US D802,688 S**

(45) **Date of Patent:** **** Nov. 14, 2017**

(54) **CLIMBER**

(71) Applicant: **SUNNY HEALTH & FITNESS**
(XIAMEN) CO., LTD., Xiamen, Fujian
(CN)

(72) Inventor: **Yu Sun**, Fujian (CN)

(73) Assignee: **SUNNY HEALTH & FITNESS**
(XIAMEN) CO., LTD., Xiamen (CN)

(**) Term: **15 Years**

(21) Appl. No.: **29/579,692**

(22) Filed: **Oct. 2, 2016**

(51) **LOC (10) Cl.** **21-02**

(52) **U.S. Cl.**
USPC **D21/670**

(58) **Field of Classification Search**
USPC ... 482/80, 74-76, 71, 70, 63-66, 57, 56, 54,
482/52, 51, 145, 144, 143, 142, 141, 140;
D21/662-671, 694, 697
CPC A63B 25/00; A63B 22/14; A61H 1/0266;
Y10S 482/907
See application file for complete search history.

(56) **References Cited**

U.S. PATENT DOCUMENTS

D302,451 S * 7/1989 Bull D21/670
D304,358 S * 10/1989 Armstrong D21/670
D314,597 S * 2/1991 Armstrong D21/670
5,000,441 A * 3/1991 Wang A63B 22/002
482/51

D323,008 S * 1/1992 Wang D21/670
D326,491 S * 5/1992 Dalebout D21/670
D329,478 S * 9/1992 Wang D21/670
D355,228 S * 2/1995 Hung D21/670
5,492,515 A * 2/1996 Charnitski A63B 22/001
482/51
5,679,100 A * 10/1997 Charnitski A63B 22/001
482/51
2002/0198082 A1* 12/2002 Arroyo A63B 23/03575
482/51

* cited by examiner

Primary Examiner — Cynthia Ramirez
Assistant Examiner — Michael Maharajh

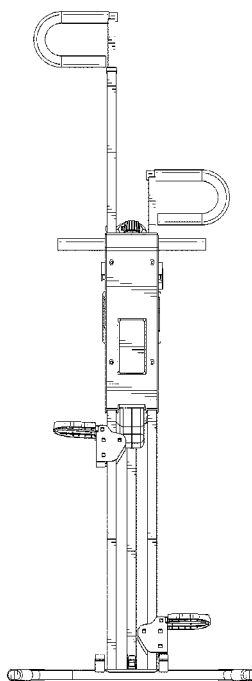
(57) **CLAIM**

The ornamental design for a climber, as shown and described.

DESCRIPTION

FIG. 1 is a front elevational view of a climber showing my new design;
FIG. 2 is a rear elevational view thereof;
FIG. 3 is a left side view thereof;
FIG. 4 is a right side view thereof;
FIG. 5 is a top plan view thereof;
FIG. 6 is a bottom plan view thereof;
FIG. 7 is a first perspective view thereof;
FIG. 8 is a second perspective view thereof;
FIG. 9 is a third perspective view thereof;
FIG. 10 is a fourth perspective view thereof;
FIG. 11 is a fifth perspective view thereof;
FIG. 12 is a sixth perspective view thereof; and,
FIG. 13 is a seventh perspective view thereof.

1 Claim, 13 Drawing Sheets



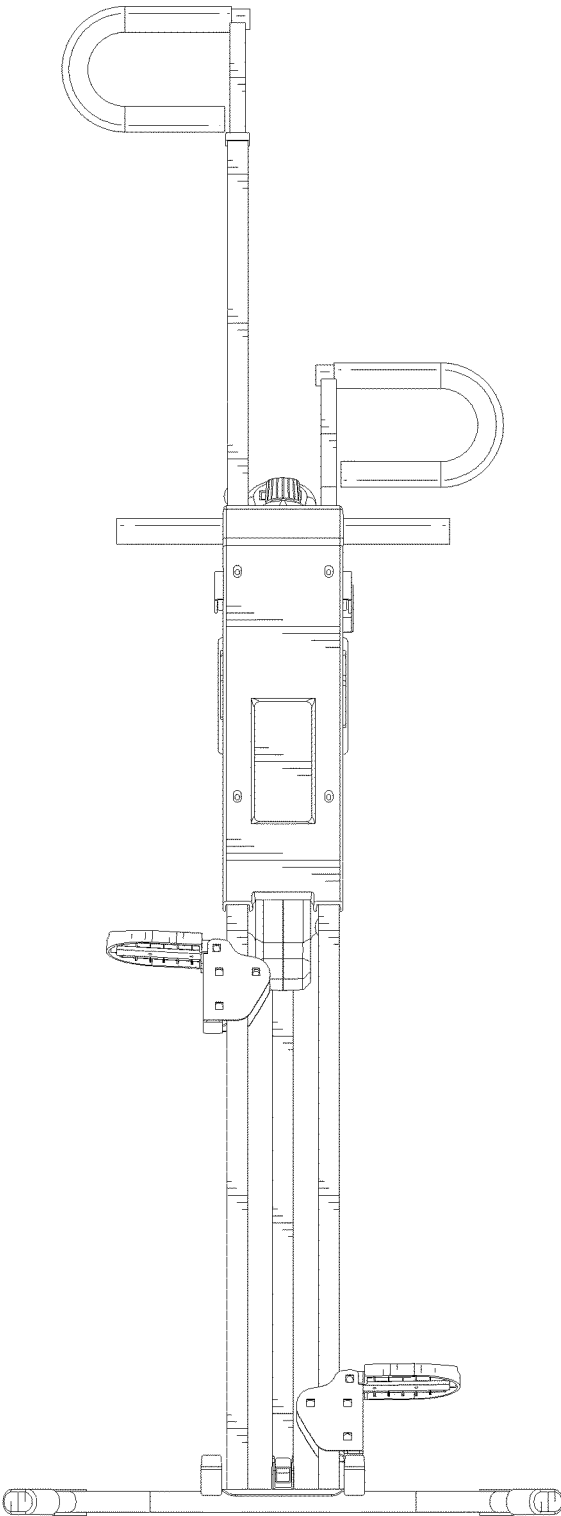


FIG.1

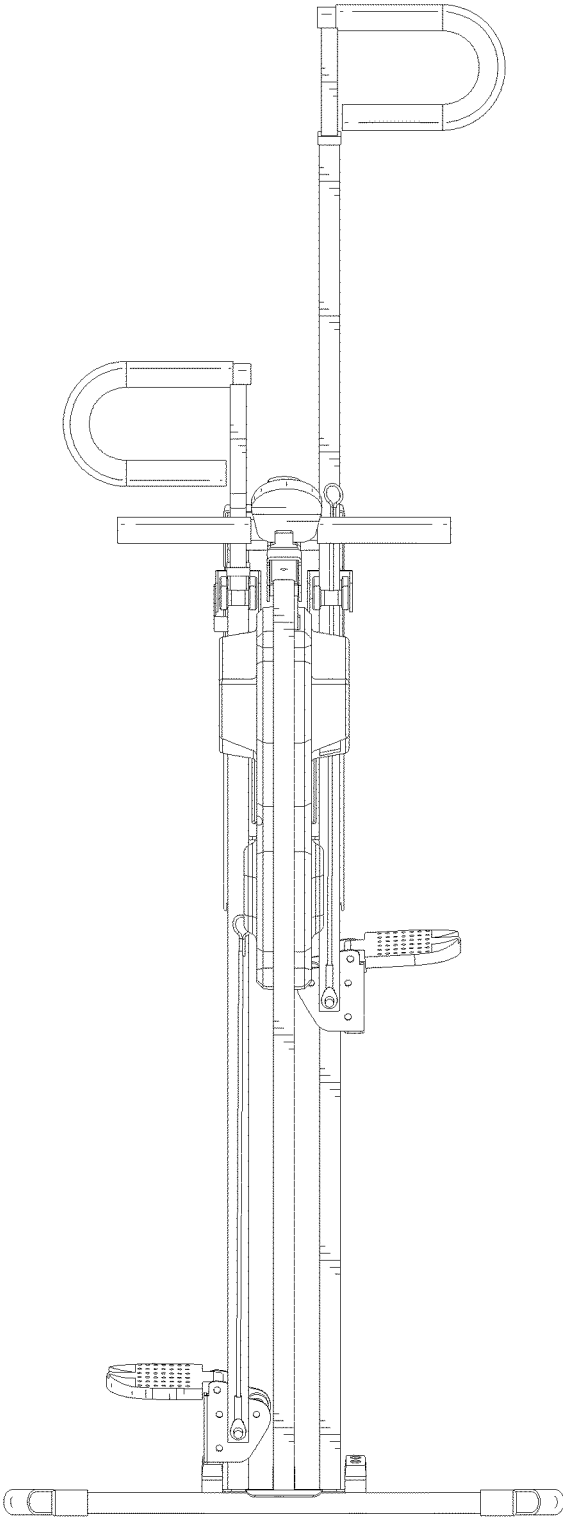


FIG.2

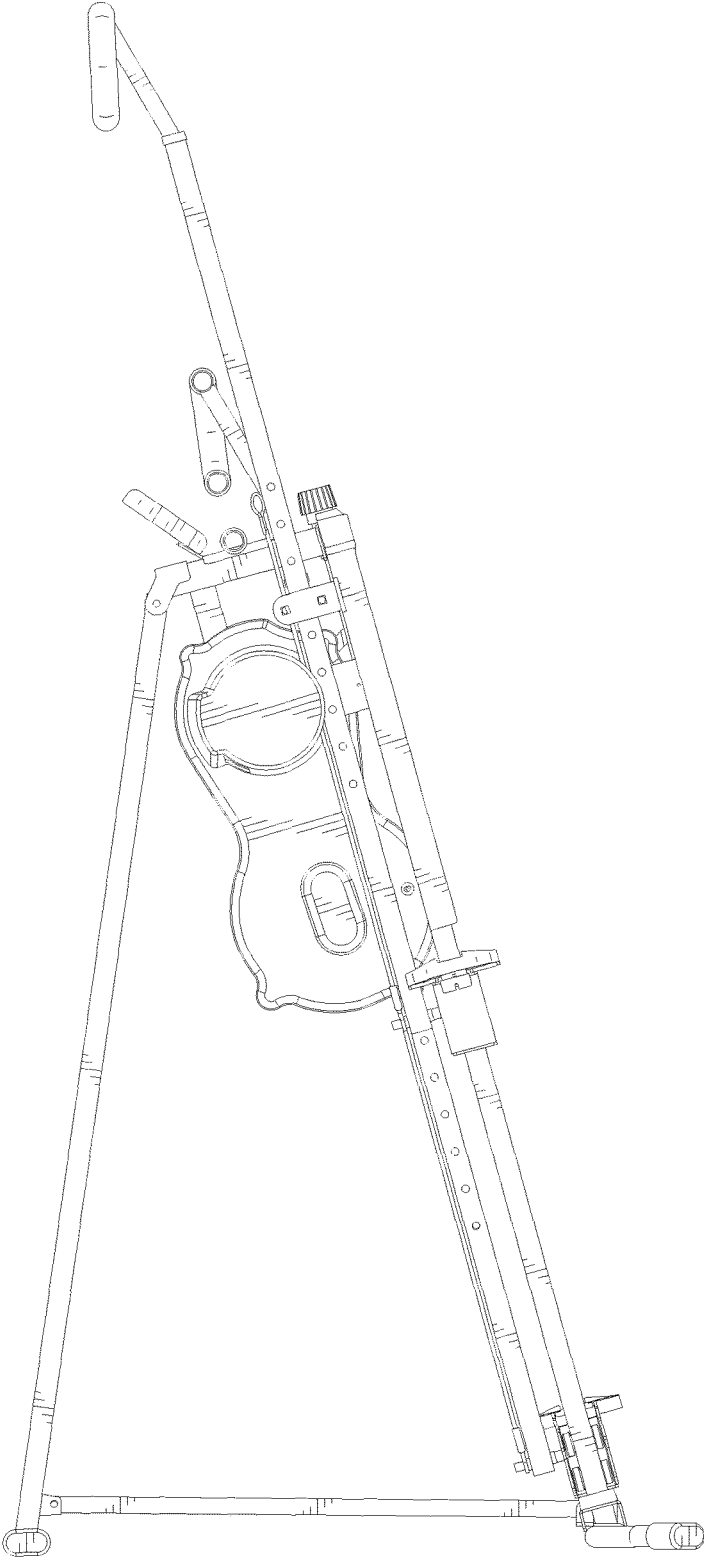


FIG.3

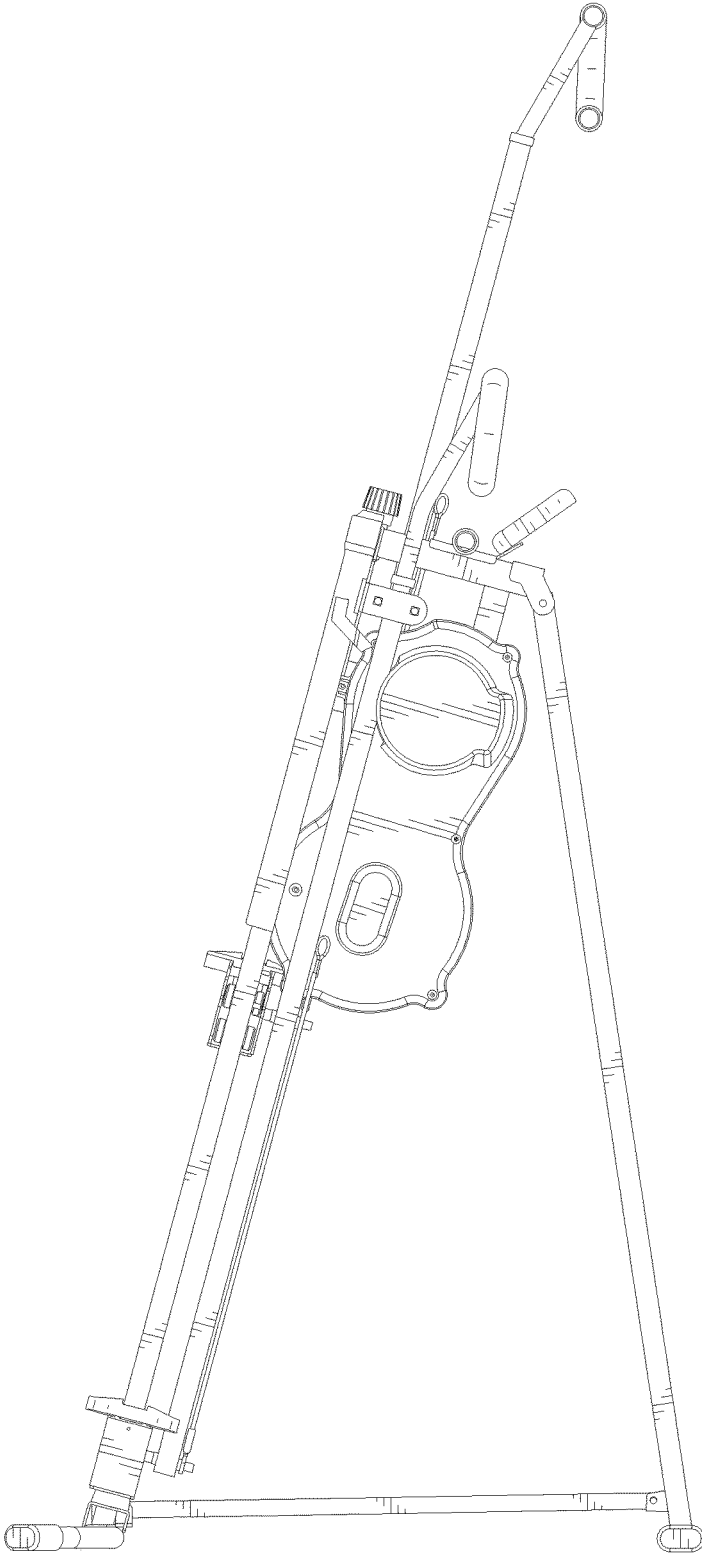


FIG.4

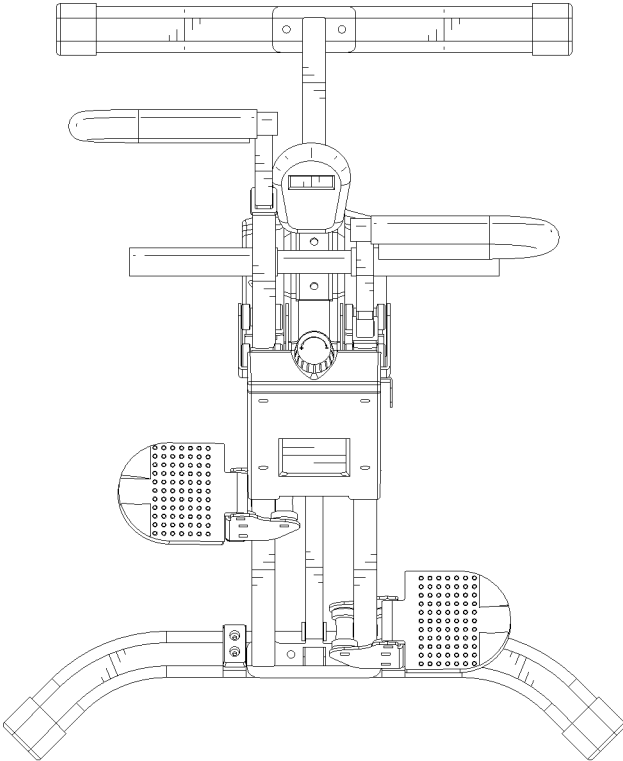


FIG.5

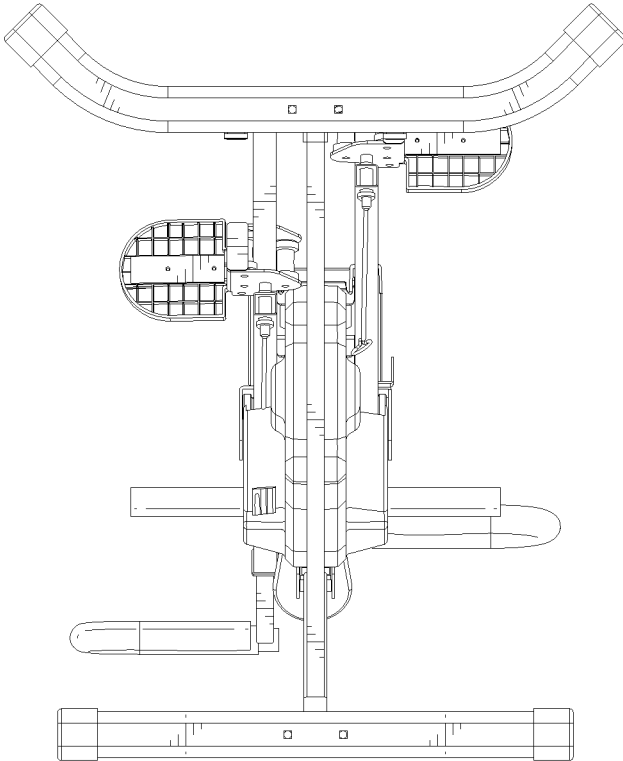


FIG.6

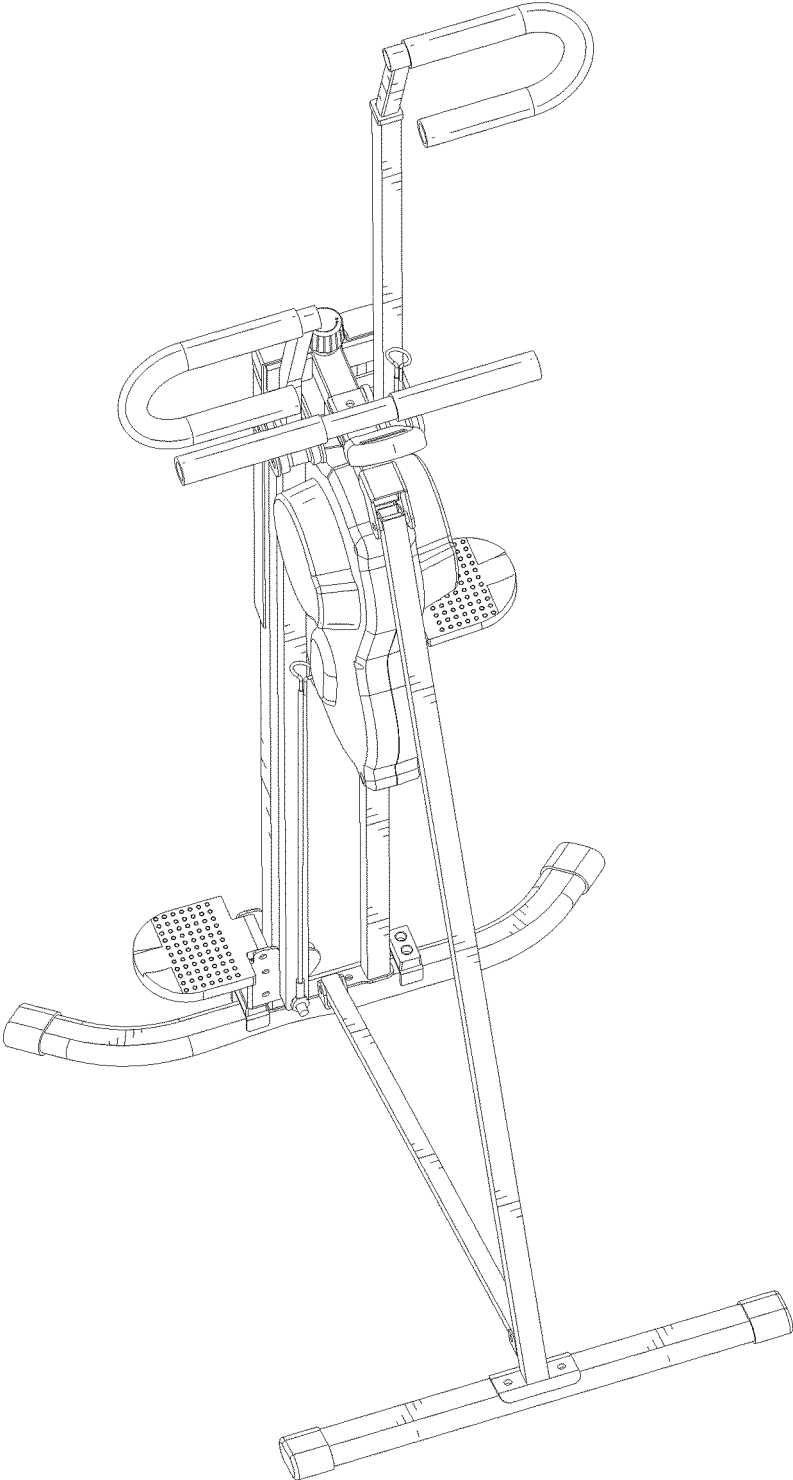


FIG.7

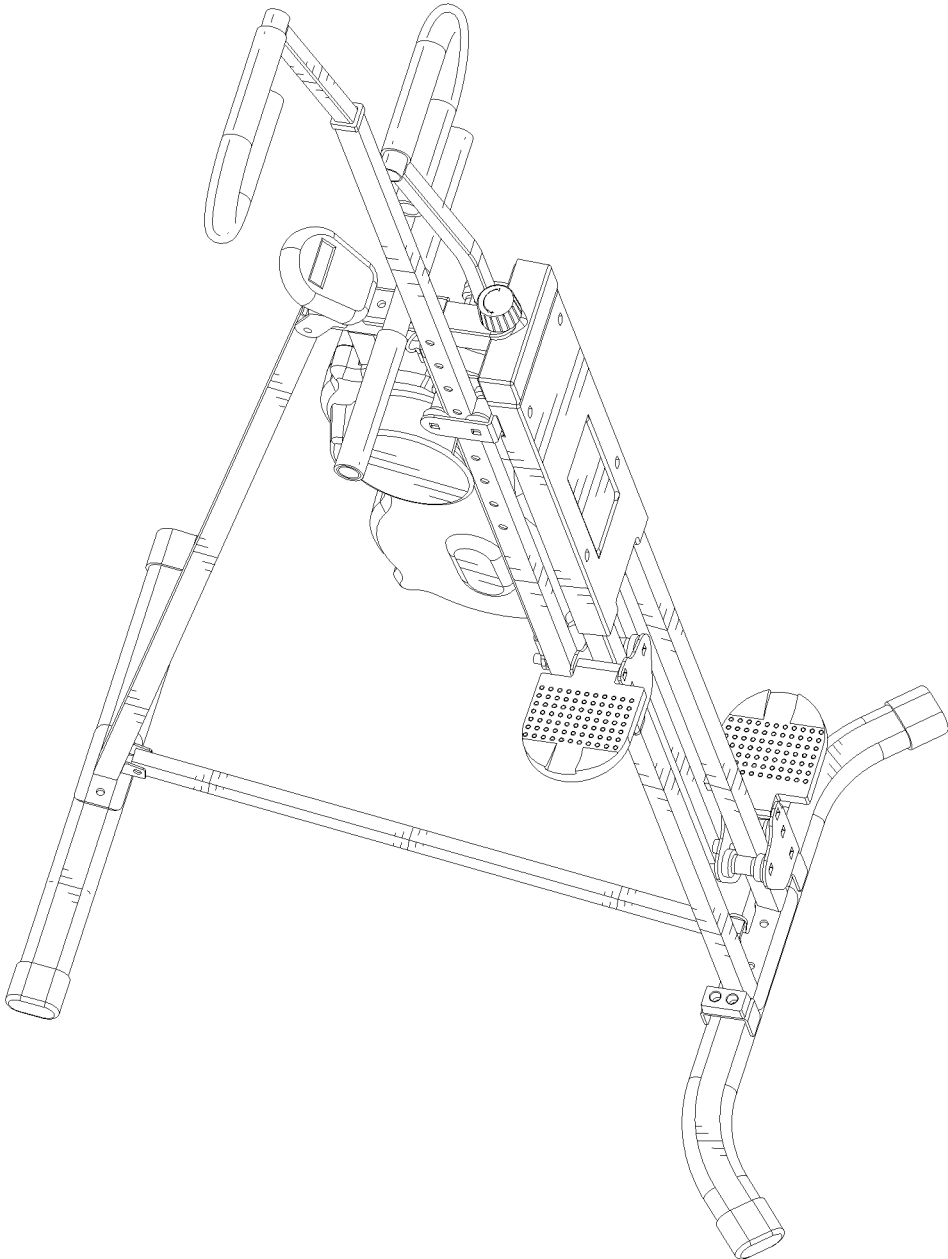


FIG.8

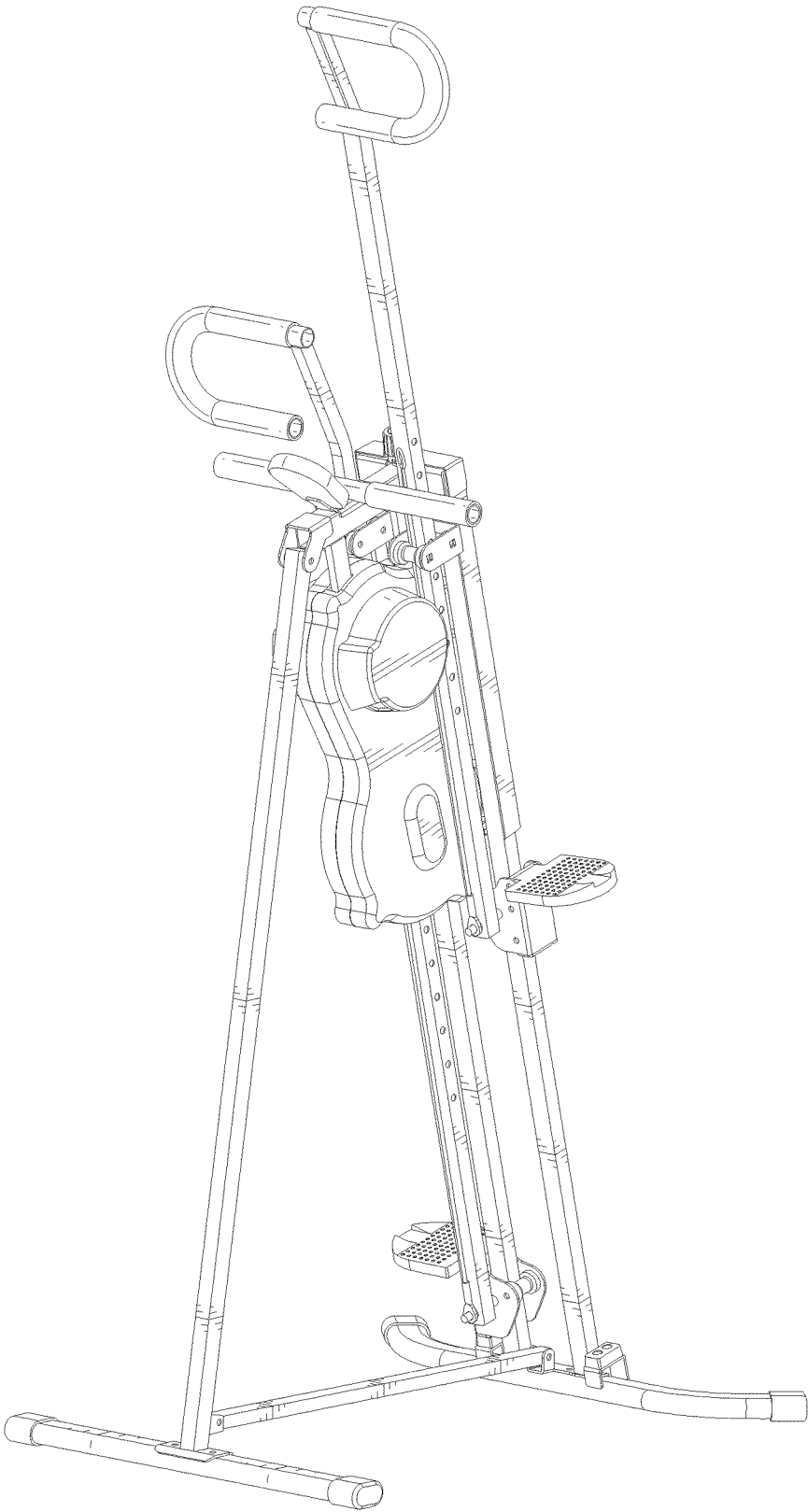


FIG.9

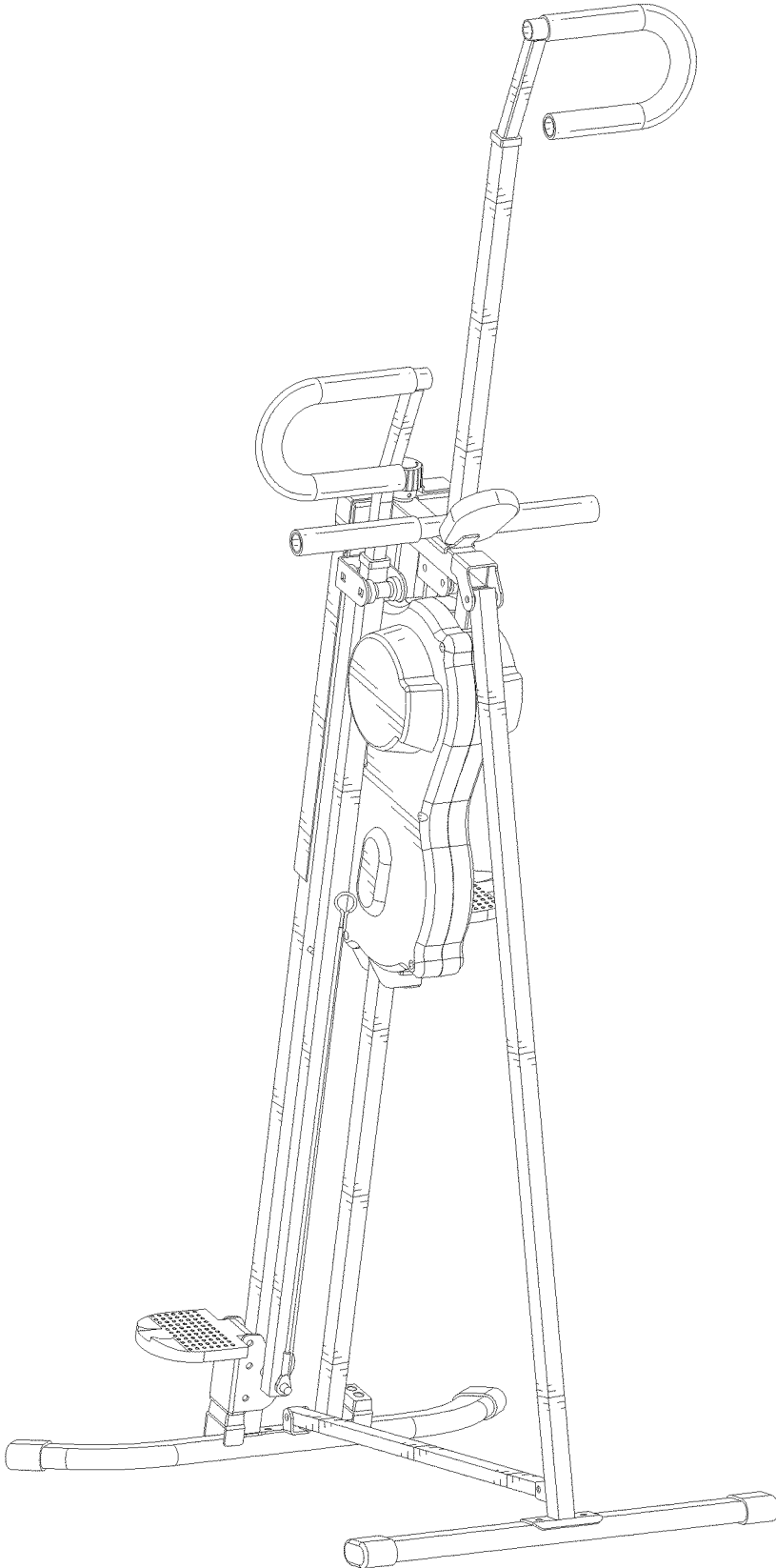


FIG.10

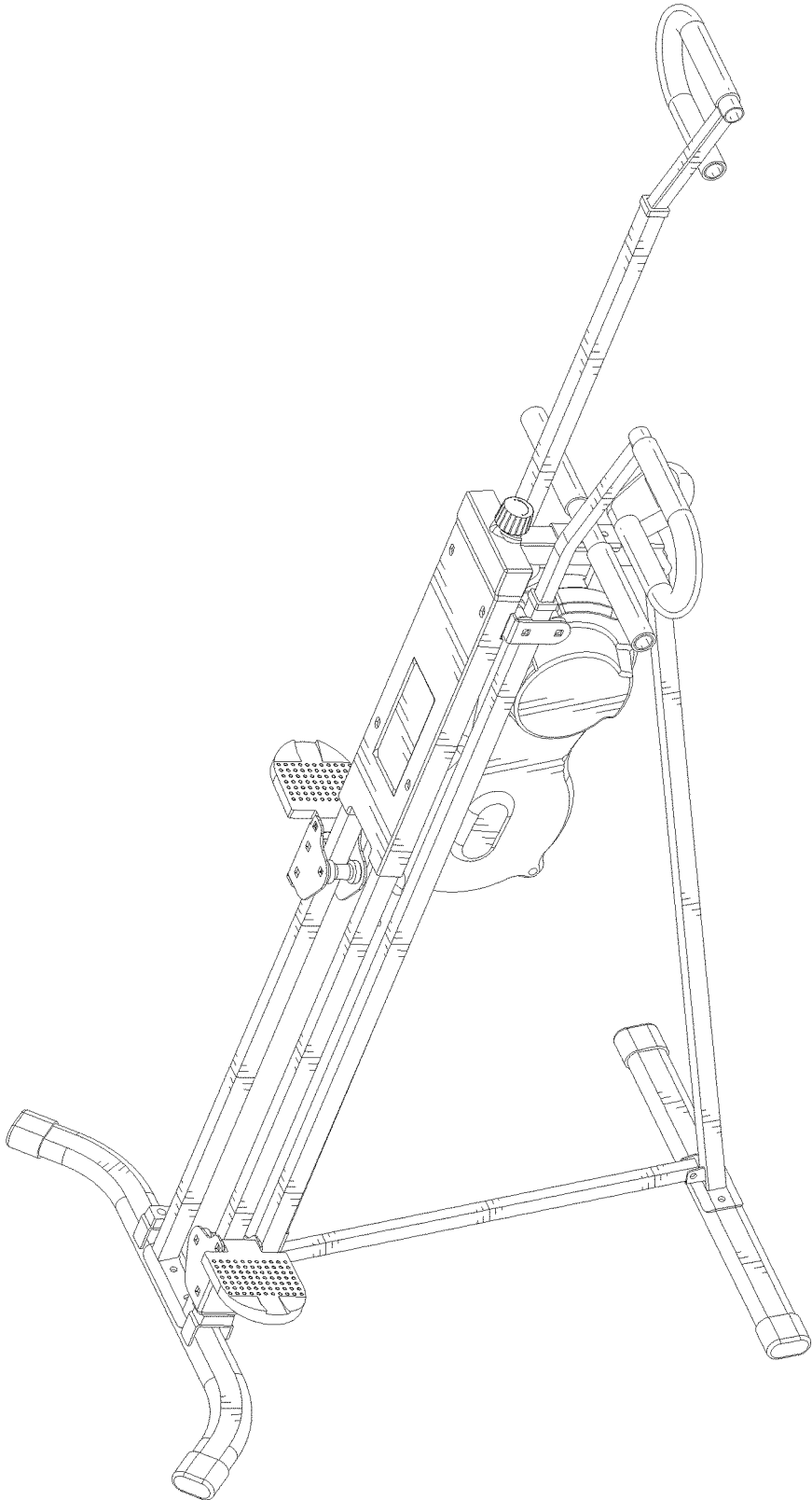


FIG.11

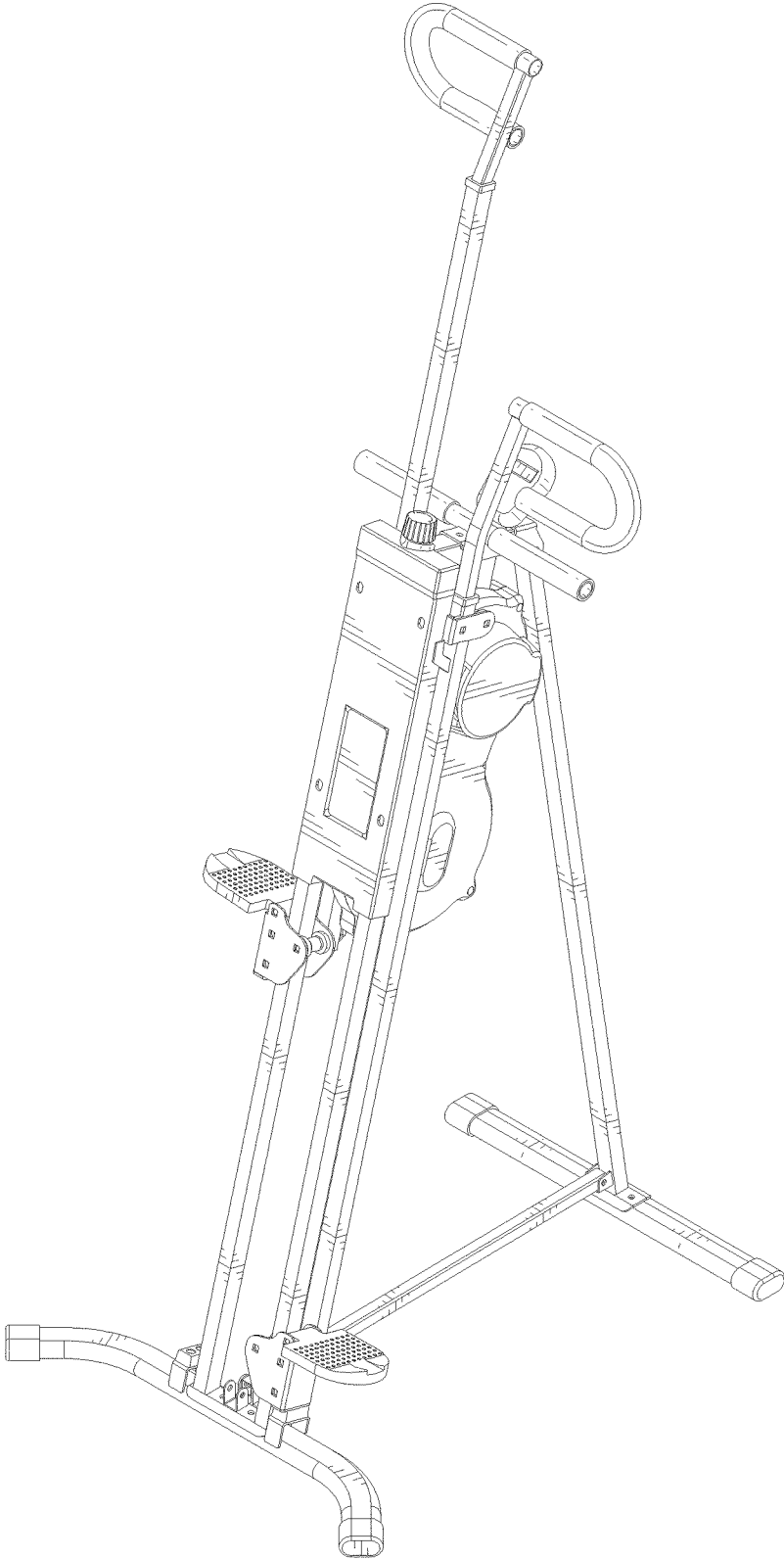


FIG.12

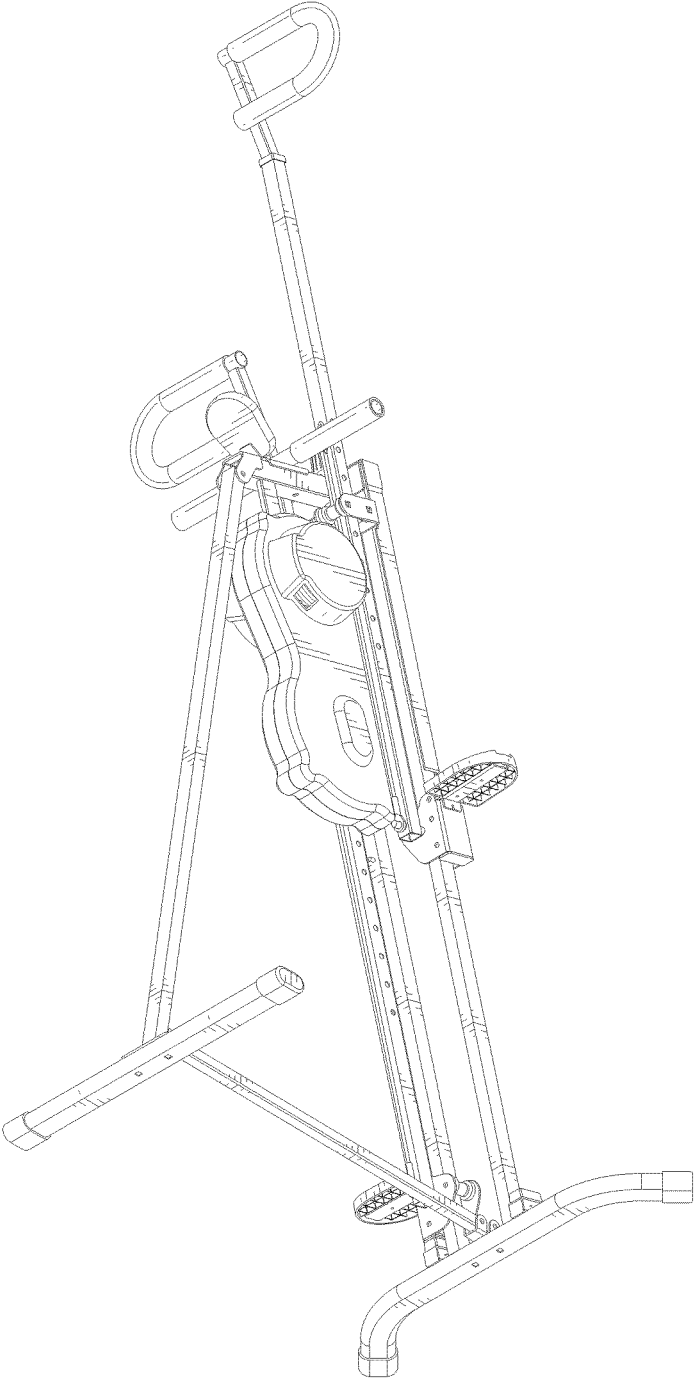


FIG.13