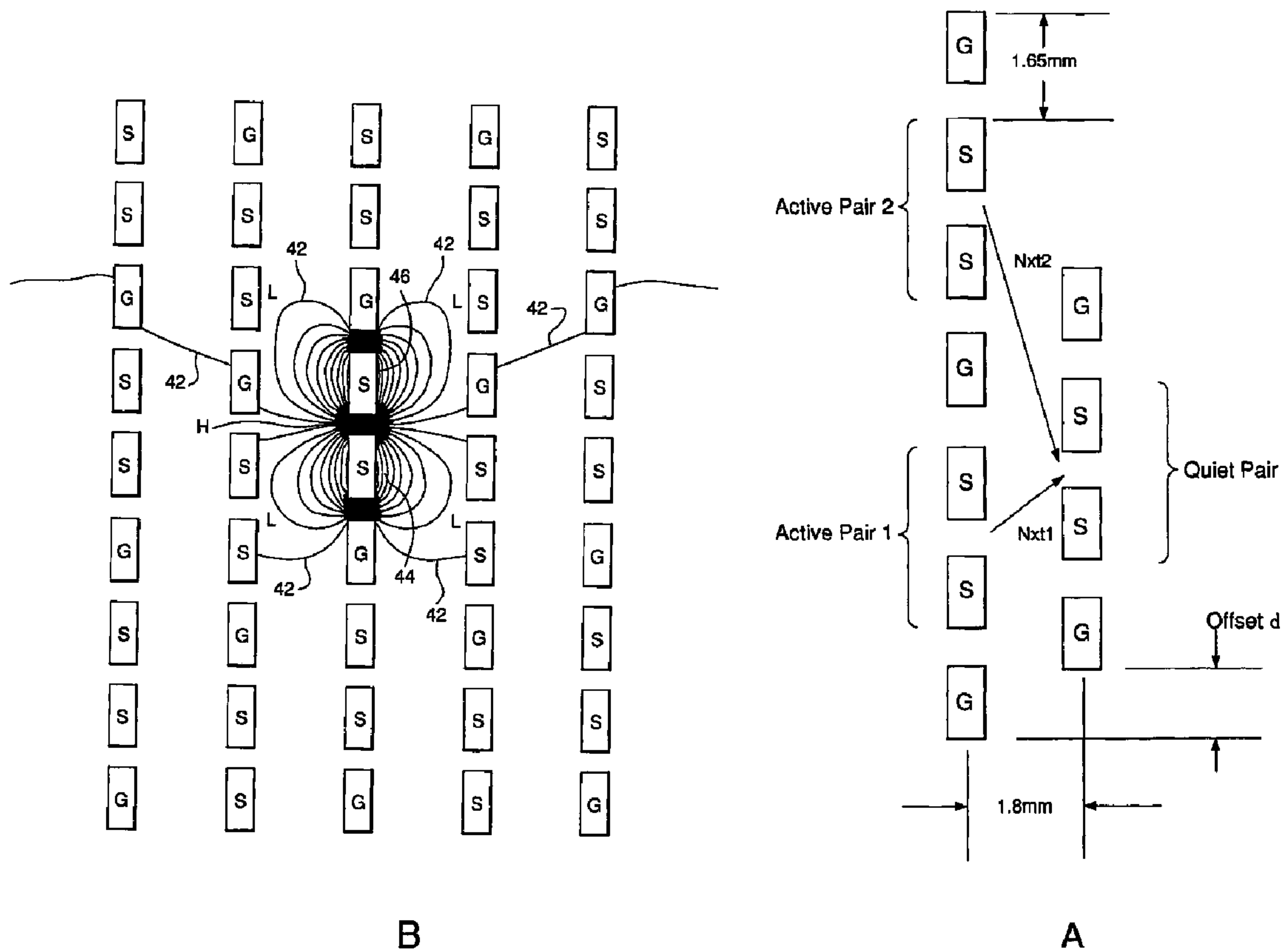




(86) Date de dépôt PCT/PCT Filing Date: 2004/07/30
 (87) Date publication PCT/PCT Publication Date: 2005/02/24
 (45) Date de délivrance/Issue Date: 2012/10/02
 (85) Entrée phase nationale/National Entry: 2005/12/21
 (86) N° demande PCT/PCT Application No.: US 2004/024676
 (87) N° publication PCT/PCT Publication No.: 2005/018051
 (30) Priorité/Priority: 2003/08/05 (US10/634,547)

(51) Cl.Int./Int.Cl. *H01R 4/66* (2006.01)
 (72) Inventeurs/Inventors:
 MINICH, STEVEN E., US;
 SHUEY, JOSEPH B., US;
 HULL, GREGORY A., US;
 SMITH, STEPHEN B., US
 (73) Propriétaire/Owner:
 FCI AMERICAS TECHNOLOGY, INC., US
 (74) Agent: BCF LLP

(54) Titre : CONNECTEURS ELECTRIQUES DOTES DE CONTACTS POUVANT ETRE SELECTIVEMENT UTILISES EN TANT QUE CONTACTS EMETTEURS OU EN TANT QUE CONTACTS DE MASSE
 (54) Title: ELECTRICAL CONNECTORS HAVING CONTACTS THAT MAY BE SELECTIVELY DESIGNATED AS EITHER SIGNAL OR GROUND CONTACTS



(57) Abrégé/Abstract:

An electrical connector according to the invention includes a linear contact array of electrically conductive contacts and a lead frame into which the contacts at least partially extend. The contacts may be selectively designated as either ground or signal



(57) Abrégé(suite)/Abstract(continued):

contacts such that, in a first designation, the contacts form at least one differential signal pair comprising a pair of signal contacts, and, in a second designation, the contacts form at least one single-ended signal conductor.

(12) INTERNATIONAL APPLICATION PUBLISHED UNDER THE PATENT COOPERATION TREATY (PCT)

(19) World Intellectual Property
Organization
International Bureau



(43) International Publication Date
24 February 2005 (24.02.2005)

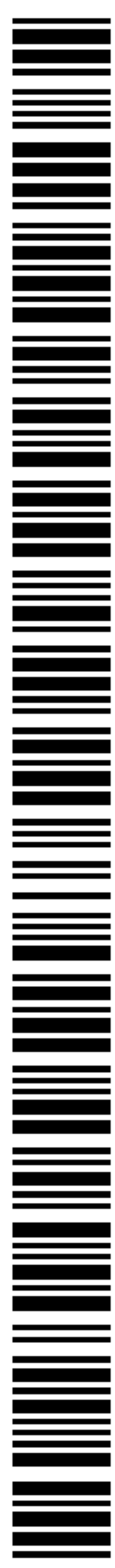
PCT

(10) International Publication Number
WO 2005/018051 A3

- (51) International Patent Classification⁷: **H01R 4/66**
- (21) International Application Number: PCT/US2004/024676
- (22) International Filing Date: 30 July 2004 (30.07.2004)
- (25) Filing Language: English
- (26) Publication Language: English
- (30) Priority Data:
10/634,547 5 August 2003 (05.08.2003) US
- (71) Applicant (for BR, CA, MX only): **FCI AMERICAS TECHNOLOGY, INC.** [US/US]; One East First Street, Reno, NV 89501 (US).
- (71) Applicant (for all designated States except BR, CA, MX, US): **FCI** [FR/FR]; 145/147 rue Yves Le Coz, F-78000 Versailles (FR).
- (72) Inventors; and
- (75) Inventors/Applicants (for US only): **MINICH, Steven, E.** [US/US]; 2605 Natalie Drive, York, PA 17402 (US). **SHUEY, Joseph, B.** [US/US]; 3425 Logan Street, Camp Hill, PA 17011 (US). **HULL, Gregory, A.** [US/US]; 2777 Olde Field Drive, York, PA 17404 (US). **SMITH, Stephen, B.** [US/US]; 2193 Hastings Drive, Mechanicsburg, PA 17055 (US).
- (74) Agents: **DONOHUE, John, P.** et al.; Woodcock Washburn LLP, One Liberty Place - 46th Floor, Philadelphia, PA 19103 (US).
- (81) Designated States (unless otherwise indicated, for every kind of national protection available): AE, AG, AL, AM, AT, AU, AZ, BA, BB, BG, BR, BW, BY, BZ, CA, CH, CN, CO, CR, CU, CZ, DE, DK, DM, DZ, EC, EE, EG, ES, FI, GB, GD, GE, GH, GM, HR, HU, ID, IL, IN, IS, JP, KE, KG, KP, KR, KZ, LC, LK, LR, LS, LT, LU, LV, MA, MD, MG, MK, MN, MW, MX, MZ, NA, NI, NO, NZ, OM, PG, PH, PL, PT, RO, RU, SC, SD, SE, SG, SK, SL, SY, TJ, TM, TN, TR, TT, TZ, UA, UG, US, UZ, VC, VN, YU, ZA, ZM, ZW.
- (84) Designated States (unless otherwise indicated, for every kind of regional protection available): ARIPO (BW, GH, GM, KE, LS, MW, MZ, NA, SD, SL, SZ, TZ, UG, ZM, ZW), Eurasian (AM, AZ, BY, KG, KZ, MD, RU, TJ, TM), European (AT, BE, BG, CH, CY, CZ, DE, DK, EE, ES, FI, FR, GB, GR, HU, IE, IT, LU, MC, NL, PL, PT, RO, SE, SI, SK, TR), OAPI (BF, BJ, CF, CG, CI, CM, GA, GN, GQ, GW, ML, MR, NE, SN, TD, TG).
- Published:**
- with international search report
 - before the expiration of the time limit for amending the claims and to be republished in the event of receipt of amendments
- (88) Date of publication of the international search report:
25 August 2005
- For two-letter codes and other abbreviations, refer to the "Guidance Notes on Codes and Abbreviations" appearing at the beginning of each regular issue of the PCT Gazette.

(54) Title: ELECTRICAL CONNECTORS HAVING CONTACTS THAT MAY BE SELECTIVELY DESIGNATED AS EITHER SIGNAL OR GROUND CONTACTS

(57) Abstract: An electrical connector according to the invention includes a linear contact array of electrically conductive contacts and a lead frame into which the contacts at least partially extend. The contacts may be selectively designated as either ground or signal contacts such that, in a first designation, the contacts form at least one differential signal pair comprising a pair of signal contacts, and, in a second designation, the contacts form at least one single-ended signal conductor.



WO 2005/018051 A3

**ELECTRICAL CONNECTORS HAVING CONTACTS THAT MAY BE
SELECTIVELY DESIGNATED AS EITHER SIGNAL OR GROUND
CONTACTS**

FIELD OF THE INVENTION

[0001] Generally, the invention relates to the field of electrical connectors. More particularly, the invention relates to electrical connectors having contacts that may be selectively designated as either ground or signal contacts such that, in a first designation, the contacts form at least one differential signal pair, and, in a second designation, the contacts form at least one single-ended signal conductor.

BACKGROUND OF THE INVENTION

[0002] Electrical connectors provide signal connections between electronic devices using signal contacts.

[0002] Often, the signal contacts are so closely spaced that undesirable interference, or "cross talk," occurs between adjacent signal contacts. As used herein, the term "adjacent" refers to contacts (or rows or columns) that are next to one another. Cross talk occurs when one signal contact induces electrical interference in an adjacent signal contact due to intermingling electrical fields, thereby compromising signal integrity. With electronic device miniaturization and high speed, high signal integrity electronic communications becoming more prevalent, the reduction of cross talk becomes a significant factor in connector design.

[0004] One commonly used technique for reducing cross talk is to position separate electrical shields, in the form of metallic plates, for example, between adjacent signal contacts. The shields act to block cross talk between the signal contacts by blocking the intermingling of

the contacts' electric fields. FIGs. 1A and 1B depict exemplary contact arrangements for electrical connectors that use shields to block cross talk.

[0005] FIG. 1A depicts an arrangement in which signal contacts S and ground contacts G are arranged such that differential signal pairs S+, S- are positioned along columns 101-106. As shown, shields 112 can be positioned between contact columns 101-106. A column 101-106 can include any combination of signal contacts S+, S- and ground contacts G. The ground contacts G serve to block cross talk between differential signal pairs in the same column. The shields 112 serve to block cross talk between differential signal pairs in adjacent columns.

[0006] FIG. 1B depicts an arrangement in which signal contacts S and ground contacts G are arranged such that differential signal pairs S+, S- are positioned along rows 111-116. As shown, shields 122 can be positioned between rows 111-116. A row 111-116 can include any combination of signal contacts S+, S- and ground contacts G. The ground contacts G serve to block cross talk between differential signal pairs in the same row. The shields 122 serve to block cross talk between differential signal pairs in adjacent rows.

[0007] Because of the demand for smaller, lower weight communications equipment, it is desirable that connectors be made smaller and lower in weight, while providing the same performance characteristics. Shields take up valuable space within the connector that could otherwise be used to provide additional signal contacts, and thus limit contact density (and, therefore, connector size). Additionally, manufacturing and inserting such shields substantially increase the overall costs associated with manufacturing such connectors. In some applications, shields are known to make up 40% or more of the cost of the connector. Another known disadvantage of shields is that they lower impedance. Thus, to make the impedance high enough in a high contact density connector, the contacts would need to be so small that they would not be robust enough for many applications.

[0008] The dielectrics that are typically used to insulate the contacts and retain them in position within the connector also add undesirable cost and weight.

[0009] Therefore, a need exists for a lightweight, high-speed electrical connector (*i.e.*, one that operates above 1 Gb/s and typically in the range of about 10 Gb/s) that reduces the occurrence of cross talk without the need for separate shields, and provides for a variety of other benefits not found in prior art connectors.

SUMMARY OF THE INVENTION

[0010] An electrical connector according to the invention includes a linear contact array of electrically conductive contacts and a lead frame into which the contacts at least partially extend. The contacts, such as within a column, may be selectively designated as either ground or

signal contacts such that, in a first designation, the contacts form at least one differential signal pair comprising a pair of signal contacts, in a second designation, the contacts form at least one single-ended signal conductor, and in a third designation, the contacts form at least one differential signal pair and at least one single-ended signal conductor.

[0011] The contact array may include at least one ground contact disposed adjacent to the at least one differential signal pair in the first designation and adjacent to the at least one single-ended signal conductor in the second designation. The ground contact may be disposed in the same relative location within the contact array in both the first designation and the second designation. A terminal end of the ground contact may extend beyond the terminal ends of the signal contacts so that the ground contact mates before any of the signal contacts.

[0012] Cross-talk between signal contacts in the first linear array and signal contacts in an adjacent such linear array may be limited to a desirable level as a result of the configuration of the contacts, even in the absence of shields between adjacent contact arrays. For example, the cross-talk may be limited as a result of a ratio of contact width to gap width between adjacent contacts. Cross-talk may be limited even in the absence of any shield plate between adjacent lead arrays. For example, the contacts may be configured such that signal contacts in one array produce a relatively low electric field near signal contacts in an adjacent array. A differential signal pair may include a gap between the contacts that form the pair. The pair produce a relatively high electric field in the gap and a relatively low electric field near adjacent signal contacts. The adjacent signal contacts may be in the first array, or in an adjacent array, which may be staggered relative to the first array.

[0013] Systems that employ such connectors and methods for using such connectors are also described and claimed.

BRIEF DESCRIPTION OF THE DRAWINGS

[0014] The invention is further described in the detailed description that follows, by reference to the noted drawings by way of non-limiting illustrative embodiments of the invention, in which like reference numerals represent similar parts throughout the drawings, and wherein:

[0015] FIGs. 1A and 1B depict exemplary contact arrangements for electrical connectors that use shields to block cross talk;

[0016] FIG. 2A is a schematic illustration of an electrical connector in which conductive and dielectric elements are arranged in a generally "I" shaped geometry;

[0017] FIG. 2B depicts equipotential regions within an arrangement of signal and ground contacts;

[0018] FIG. 3A illustrates a conductor arrangement used to measure the effect of offset on multi-active cross talk;

[0019] FIG. 3B is a graph illustrating the relationship between multi-active cross talk and offset between adjacent columns of terminals in accordance with one aspect of the invention;

[0020] FIG. 3C depicts a contact arrangement for which cross talk was determined in a worst case scenario;

[0021] FIGs. 4A-4C depict conductor arrangements in which signal pairs are arranged in columns;

[0022] FIG. 5 depicts a conductor arrangement in which signal pairs are arranged in rows;

[0023] FIG. 6 is a diagram showing an array of six columns of terminals arranged in accordance with one aspect of the invention;

[0024] FIG. 7 is a diagram showing an array of six columns arranged in accordance with another embodiment of the invention;

[0025] FIG. 8 is a perspective view of an illustrative right angle electrical connector, in accordance with the invention;

[0026] FIG. 9 is a side view of the right angle electrical connector of FIG. 8;

[0027] FIG. 10 is an end view of a portion of the right angle electrical connector of FIG. 8 taken along line A-A;

[0028] FIG. 11 is a top view of a portion of the right angle electrical connector of FIG. 8 taken along line B-B;

[0029] FIG. 12 is a top cut-away view of conductors of the right angle electrical connector of FIG. 8 taken along line B-B;

[0030] FIG. 13A is a side cut-away view of a portion of the right angle electrical connector of FIG. 8 taken along line A-A;

[0031] FIG. 13B is a cross-sectional view taken along line C-C of FIG. 13A;

[0032] FIG. 14 is a perspective view of illustrative conductors of a right angle electrical connector according to the invention;

[0033] FIG. 15 is a perspective view of another illustrative conductor of the right angle electrical connector of FIG. 8;

[0034] FIG. 16A is a perspective view of a backplane system having an exemplary right angle electrical connector;

[0035] FIG. 16B is a simplified view of an alternative embodiment of a backplane system with a right angle electrical connector;

[0036] FIG. 16C is a simplified view of a board-to-board system having a vertical connector;

[0037] FIG. 17 is a perspective view of the connector plug portion of the connector shown in FIG. 16A;

[0038] FIG. 18 is a side view of the plug connector of FIG. 17;

[0039] FIG. 19A is a side view of a lead assembly of the plug connector of FIG. 17;

[0040] FIG. 19B depicts the lead assembly of FIG. 19 during mating;

[0041] FIG. 20 is an end view of two columns of terminals in accordance with one embodiment of the invention;

[0042] FIG. 21 is a side view of the terminals of FIG. 20;

[0043] FIG. 22 is a perspective top view of a receptacle in accordance with another embodiment of the invention;

[0044] FIG. 23 is a side view of the receptacle of FIG. 22;

[0045] FIG. 24 is a perspective view of a single column of receptacle contacts;

[0046] FIG. 25 is a perspective view of a connector in accordance with another embodiment of the invention;

[0047] FIG. 26 is a side view of a column of right angle terminals in accordance with another aspect of the invention;

[0048] FIGs. 27 and 28 are front views of the right angle terminals of Figure 26 taken along lines A-A and lines B-B respectively;

[0049] FIG. 29 illustrates the cross section of terminals as the terminals connect to vias on an electrical device in accordance with another aspect of the invention;

[0050] FIG. 30 is a perspective view of a portion of another illustrative right angle electrical connector, in accordance with the invention;

[0051] FIG. 31 is a perspective view of another illustrative right angle electrical connector, in accordance with the invention;

[0052] FIG. 32 is a perspective view of an alternative embodiment of a receptacle connector;

[0053] FIG. 33 is a flow diagram of a method for making a connector in accordance with the invention;

[0054] FIGs. 34A and 34B are perspective views of example embodiments of a header assembly for a connector according to the invention;

[0055] FIGs. 35A and 35B are perspective views of example embodiments of a receptacle assembly for a connector according to the invention;

[0056] FIG. 36 is a side view of an example embodiment of a connector according to the invention connecting signal paths between two circuit boards;

[0057] FIG. 37 is a side view of an example embodiment of an insert molded lead assembly according to the invention;

[0058] FIGs. 38A-38C depict example contact designations for an IMLA such as depicted in FIG. 37;

[0059] FIG. 39 is a side view of another example embodiment of an insert molded lead assembly according to the invention;

[0060] FIGs. 40A-40C depict example contact designations for an IMLA such as depicted in FIG. 39;

[0061] FIG. 41 depicts example differential signal pair contact designations for adjacent contact arrays;

[0062] FIGs. 42A-D provide graphs of measured performance for adjacent contact arrays such as depicted in FIG. 41;

[0063] FIG. 43 depicts example single-ended signal contact designations for adjacent contact arrays;

[0064] FIGs. 44A-E provide graphs of measured performance for adjacent contact arrays such as depicted in FIG. 43;

[0065] FIGs. 45A-45F provide cross-talk measurements for a single-ended aggressor injecting noise onto a differential pair; and

[0066] FIGs. 46A-46F provide cross-talk measurements for a differential pair aggressor injecting noise onto a single-ended contact.

DETAILED DESCRIPTION OF ILLUSTRATIVE EMBODIMENTS

[0067] Certain terminology may be used in the following description for convenience only and should not be considered as limiting the invention in any way. For example, the terms “top,” “bottom,” “left,” “right,” “upper,” and “lower” designate directions in the figures to which reference is made. Likewise, the terms “inwardly” and “outwardly” designate directions toward and away from, respectively, the geometric center of the referenced object. The terminology includes the words above specifically mentioned, derivatives thereof, and words of similar import.

[0068] I-SHAPED GEOMETRY FOR ELECTRICAL CONNECTORS - THEORETICAL MODEL

[0069] FIG. 2A is a schematic illustration of an electrical connector in which conductive and dielectric elements are arranged in a generally “I” shaped geometry. Such

connectors are embodied in the assignee's "I-BEAM" technology, and are described and claimed in U.S. Patent No. 5,741,144, entitled "Low Cross And Impedance Controlled Electric Connector." . Low cross talk and controlled impedance have been found to result from the use of this geometry.

[0070] As shown in FIG. 2A, the conductive element can be perpendicularly interposed between two parallel dielectric and ground plane elements. The description of this transmission line geometry as I-shaped comes from the vertical arrangement of the signal conductor shown generally at numeral 10 between the two horizontal dielectric layers 12 and 14 having a dielectric constant ϵ and ground planes 13 and 15 symmetrically placed at the top and bottom edges of the conductor. The sides 20 and 22 of the conductor are open to the air 24 having an air dielectric constant ϵ_0 . In a connector application, the conductor could include two sections, 26 and 28, that abut end-to-end or face-to-face. The thickness, t_1 and t_2 of the dielectric layers 12 and 14, to first order, controls the characteristic impedance of the transmission line and the ratio of the overall height h to dielectric width w_d controls the electric and magnetic field penetration to an adjacent contact. Original experimentation led to the conclusion that the ratio h/w_d needed to minimize interference beyond A and B would be approximately unity (as illustrated in FIG. 2A).

[0071] The lines 30, 32, 34, 36 and 38 in FIG. 2A are equipotentials of voltage in the air-dielectric space. Taking an equipotential line close to one of the ground planes and following it out towards the boundaries A and B, it will be seen that both boundary A or boundary B are very close to the ground potential. This means that virtual ground surfaces exist at each of boundary A and boundary B. Therefore, if two or more I-shaped modules are placed side-by-side, a virtual ground surface exists between the modules and there will be little to no intermingling of the modules' fields. In general, the conductor width w_c and dielectric thicknesses t_1 , t_2 should be small compared to the dielectric width w_d or module pitch (*i.e.*, distance between adjacent modules).

[0072] Given the mechanical constraints on a practical connector design, it was found in actuality that the proportioning of the signal conductor (blade/beam contact) width and dielectric thicknesses could deviate somewhat from the preferred ratios and some minimal interference might exist between adjacent signal conductors. However, designs using the above described I-shaped geometry tend to have lower cross talk than other conventional designs.

[0073] EXEMPLARY FACTORS AFFECTING CROSS TALK BETWEEN
ADJACENT CONTACTS

[0074] In accordance with the invention, the basic principles described above were further analyzed and expanded upon and can be employed to determine how to even further limit cross talk between adjacent signal contacts, even in the absence of shields between the contacts, by determining an appropriate arrangement and geometry of the signal and ground contacts. FIG. 2B includes a contour plot of voltage in the neighborhood of an active column-based differential signal pair S+, S- in a contact arrangement of signal contacts S and ground contacts G according to the invention. As shown, contour lines 42 are closest to zero volts, contour lines 44 are closest to -1 volt, and contour lines 46 are closest to +1 volt. It has been observed that, although the voltage does not necessarily go to zero at the "quiet" differential signal pairs that are nearest to the active pair, the interference with the quiet pairs is near zero. That is, the voltage impinging on the positive-going quiet differential pair signal contact is about the same as the voltage impinging on the negative-going quiet differential pair signal contact. Consequently, the noise on the quiet pair, which is the difference in voltage between the positive- and negative-going signals, is close to zero.

[0075] Thus, as shown in FIG. 2B, the signal contacts S and ground contacts G can be scaled and positioned relative to one another such that a differential signal in a first differential signal pair produces a high field H in the gap between the contacts that form the signal pair and a low (*i.e.*, close to ground potential) field L (close to ground potential) near an adjacent signal pair. Consequently, cross talk between adjacent signal contacts can be limited to acceptable levels for the particular application. In such connectors, the level of cross talk between adjacent signal contacts can be limited to the point that the need for (and cost of) shields between adjacent contacts is unnecessary, even in high speed, high signal integrity applications.

[0076] Through further analysis of the above-described I-shaped model, it has been found that the unity ratio of height to width is not as critical as it first seemed. It has also been found that a number of factors can affect the level of cross talk between adjacent signal contacts. A number of such factors are described in detail below, though it is anticipated that there may be others. Additionally, though it is preferred that all of these factors be considered, it should be understood that each factor may, alone, sufficiently limit cross talk for a particular application. Any or all of the following factors may be considered in determining a suitable contact arrangement for a particular connector design:

[0077] a) Less cross talk has been found to occur where adjacent contacts are edge-coupled (*i.e.*, where the edge of one contact is adjacent to the edge of an adjacent contact) than where adjacent contacts are broad side coupled (*i.e.*, where the broad side of one contact is adjacent to the broad side of an adjacent contact) or where the edge of one contact is adjacent to

the broad side of an adjacent contact. The tighter the edge coupling, the less the coupled signal pair's electrical field will extend towards an adjacent pair and the less towards the unity height-to-width ratio of the original I-shaped theoretical model a connector application will have to approach. Edge coupling also allows for smaller gap widths between adjacent connectors, and thus facilitates the achievement of desirable impedance levels in high contact density connectors without the need for contacts that are too small to perform adequately. For example, it has been found that a gap of about 0.3-0.4 mm is adequate to provide an impedance of about 100 ohms where the contacts are edge coupled, while a gap of about 1 mm is necessary where the same contacts are broad side coupled to achieve the same impedance. Edge coupling also facilitates changing contact width, and therefore gap width, as the contact extends through dielectric regions, contact regions, *etc.*;

[0078] b) It has also been found that cross talk can be effectively reduced by varying the "aspect ratio," *i.e.*, the ratio of column pitch (*i.e.*, the distance between adjacent columns) to the gap between adjacent contacts in a given column;

[0079] c) The "staggering" of adjacent columns relative to one another can also reduce the level of cross talk. That is, cross talk can be effectively limited where the signal contacts in a first column are offset relative to adjacent signal contacts in an adjacent column. The amount of offset may be, for example, a full row pitch (*i.e.*, distance between adjacent rows), half a row pitch, or any other distance that results in acceptably low levels of cross talk for a particular connector design. It has been found that the optimal offset depends on a number of factors, such as column pitch, row pitch, the shape of the terminals, and the dielectric constant(s) of the insulating material(s) around the terminals, for example. It has also been found that the optimal offset is not necessarily "on pitch," as was often thought. That is, the optimal offset may be anywhere along a continuum, and is not limited to whole fractions of a row pitch (*e.g.*, full or half row pitches).

[0080] FIG. 3A illustrates a contact arrangement that has been used to measure the effect of offset between adjacent columns on cross talk. Fast (*e.g.*, 40 ps) rise-time differential signals were applied to each of Active Pair 1 and Active Pair 2. Near-end crosstalk Nxt1 and Nxt2 were determined at Quiet Pair, to which no signal was applied, as the offset *d* between adjacent columns was varied from 0 to 5.0 mm. Near-end cross talk occurs when noise is induced on the quiet pair from the current carrying contacts in an active pair.

[0081] As shown in the graph of FIG. 3B, the incidence of multi-active cross talk (thicker solid line in FIG. 3B) is minimized at offsets of about 1.3 mm and about 3.65 mm. In this experiment, multi-active cross talk was considered to be the sum of the absolute values of

cross talk from each of Active Pair 1 (dashed line in FIG. 3B) and Active Pair 2 (thin solid line in FIG. 3B). Thus, it has been shown that adjacent columns can be variably offset relative to one another until an optimum level of cross talk between adjacent pairs (about 1.3 mm, in this example);

[0082] d) Through the addition of outer grounds, *i.e.*, the placement of ground contacts at alternating ends of adjacent contact columns, both near-end cross talk (“NEXT”) and far-end cross talk (“FEXT”) can be further reduced;

[0083] e) It has also been found that scaling the contacts (*i.e.*, reducing the absolute dimensions of the contacts while preserving their proportional and geometric relationship) provides for increased contact density (*i.e.*, the number of contacts per linear inch) without adversely affecting the electrical characteristics of the connector.

[0084] By considering any or all of these factors, a connector can be designed that delivers high-performance (*i.e.*, low incidence of cross talk), high-speed (*e.g.*, greater than 1 Gb/s and typically about 10 Gb/s) communications even in the absence of shields between adjacent contacts. It should also be understood that such connectors and techniques, which are capable of providing such high speed communications, are also useful at lower speeds. Connectors according to the invention have been shown, in worst case testing scenarios, to have near-end cross talk of less than about 3% and far-end cross talk of less than about 4%, at 40 picosecond rise time, with 63.5 mated signal pairs per linear inch. Such connectors can have insertion losses of less than about 0.7 dB at 5GHz, and impedance match of about 100 ± 8 ohms measured at a 40 picosecond rise time.

[0085] FIG. 3C depicts a contact arrangement for which cross talk was determined in a worst case scenario. Cross talk from each of six attacking pairs S1, S2, S3, S4, S5, and S6 was determined at a “victim” pair V. Attacking pairs S1, S2, S3, S4, S5, and S6 are six of the eight nearest neighboring pairs to signal pair V. It has been determined that the additional affects on cross talk at victim pair V from attacking pairs S7 and S8 is negligible. The combined cross talk from the six nearest neighbor attacking pairs has been determined by summing the absolute values of the peak cross talk from each of the pairs, which assumes that each pair is fairing at the highest level all at the same time. Thus, it should be understood that this is a worst case scenario, and that, in practice, much better results should be achieved.

[0086] EXEMPLARY CONTACT ARRANGEMENTS ACCORDING TO THE INVENTION

[0087] FIG. 4A depicts a connector 100 according to the invention having column-based differential signal pairs (*i.e.*, in which differential signal pairs are arranged into columns). (As used herein, a “column” refers to the direction along which the contacts are edge coupled. A

“row” is perpendicular to a column.) As shown, each column 401-406 comprises, in order from top to bottom, a first differential signal pair, a first ground conductor, a second differential signal pair, and a second ground conductor. As can be seen, first column 401 comprises, in order from top to bottom, a first differential signal pair comprising signal conductors S1+ and S1-, a first ground conductor G, a second differential signal pair comprising signal conductors S7+ and S7-, and a second ground conductor G. Each of rows 413 and 416 comprises a plurality of ground conductors G. Rows 411 and 412 together comprise six differential signal pairs, and rows 514 and 515 together comprise another six differential signal pairs. The rows 413 and 416 of ground conductors limit cross talk between the signal pairs in rows 411-412 and the signal pairs in rows 414-415. In the embodiment shown in FIG. 4A, arrangement of 36 contacts into columns can provide twelve differential signal pairs. Because the connector is devoid of shields, the contacts can be made relatively larger (compared to those in a connector having shields). Therefore, less connector space is needed to achieve the desired impedance.

[0088] FIGs. 4B and 4C depict connectors according to the invention that include outer grounds. As shown in FIG. 4B, a ground contact G can be placed at each end of each column. As shown in FIG. 4C, a ground contact G can be placed at alternating ends of adjacent columns. It has been found that the placement of a ground contact G at alternating ends of adjacent columns results in a 35% reduction in NEXT and a 65% reduction in FEXT as compared to a connector having a contact arrangement that is otherwise the same, but which has no such outer grounds. It has also been found that basically the same results can be achieved through the placement of ground contacts at both ends of every contact column, as shown in FIG. 4B. Consequently, it is preferred to place outer grounds at alternating ends of adjacent columns in order to increase contact density (relative to a connector in which outer grounds are placed at both ends of every column) without increasing the level of cross talk.

[0089] Alternatively, as shown in FIG. 5, differential signal pairs may be arranged into rows. As shown in FIG. 5, each row 511-516 comprises a repeating sequence of two ground conductors and a differential signal pair. First row 511 comprises, in order from left to right, two ground conductors G, a differential signal pair S1+, S1-, and two ground conductors G. Row 512 comprises in order from left to right, a differential signal pair S2+, S2-, two ground conductors G, and a differential signal pair S3+, S3-. The ground conductors block cross talk between adjacent signal pairs. In the embodiment shown in FIG. 5, arrangement of 36 contacts into rows provides only nine differential signal pairs.

[0090] By comparison of the arrangement shown in FIG. 4A with the arrangement shown in FIG. 5, it can be understood that a column arrangement of differential signal pairs

results in a higher density of signal contacts than does a row arrangement. However, for right angle connectors arranged into columns, contacts within a differential signal pair have different lengths, and therefore, such differential signal pairs may have intra-pair skew. Similarly, arrangement of signal pairs into either rows or columns may result in inter-pair skew because of the different conductor lengths of different differential signal pairs. Thus, it should be understood that, although arrangement of signal pairs into columns results in a higher contact density, arrangement of the signal pairs into columns or rows can be chosen for the particular application.

[0091] Regardless of whether the signal pairs are arranged into rows or columns, each differential signal pair has a differential impedance Z_0 between the positive conductor S_{x+} and negative conductor S_{x-} of the differential signal pair. Differential impedance is defined as the impedance existing between two signal conductors of the same differential signal pair, at a particular point along the length of the differential signal pair. As is well known, it is desirable to control the differential impedance Z_0 to match the impedance of the electrical device(s) to which the connector is connected. Matching the differential impedance Z_0 to the impedance of electrical device minimizes signal reflection and/or system resonance that can limit overall system bandwidth. Furthermore, it is desirable to control the differential impedance Z_0 such that it is substantially constant along the length of the differential signal pair, *i.e.*, such that each differential signal pair has a substantially consistent differential impedance profile.

[0092] The differential impedance profile can be controlled by the positioning of the signal and ground conductors. Specifically, differential impedance is determined by the proximity of an edge of signal conductor to an adjacent ground and by the gap between edges of signal conductors within a differential signal pair.

[0093] Referring again to FIG. 4A, the differential signal pair comprising signal conductors S_{6+} and S_{6-} is located adjacent to one ground conductor G in row 413. The differential signal pair comprising signal conductors S_{12+} and S_{12-} is located adjacent to two ground conductors G , one in row 413 and one in row 416. Conventional connectors include two ground conductors adjacent to each differential signal pair to minimize impedance matching problems. Removing one of the ground conductors typically leads to impedance mismatches that reduce communications speed. However, the lack of one adjacent ground conductor can be compensated for by reducing the gap between the differential signal pair conductors with only one adjacent ground conductor. For example, as shown in FIG. 4A, signal conductors S_{6+} and S_{6-} can be located a distance d_1 apart from each other and signal conductors S_{12+} and S_{12-} can be located a different distance d_2 apart from each other. The distances may be controlled by

making the widths of signal conductors S6+ and S6- wider than the widths of signal conductors S12+ and S12- (where conductor width is measured along the direction of the column).

[0094] For single ended signaling, single ended impedance can also be controlled by positioning of the signal and ground conductors. Specifically, single ended impedance is determined by the gap between a signal conductor and an adjacent ground. Single ended impedance is defined as the impedance existing between a signal conductor and ground, at a particular point along the length of a single ended signal conductor.

[0095] To maintain acceptable differential impedance control for high bandwidth systems, it is desirable to control the gap between contacts to within a few thousandths of an inch. Gap variations beyond a few thousandths of an inch may cause an unacceptable variation in the impedance profile; however, the acceptable variation is dependent on the speed desired, the error rate acceptable, and other design factors.

[0096] FIG. 6 shows an array of differential signal pairs and ground contacts in which each column of terminals is offset from each adjacent column. The offset is measured from an edge of a terminal to the same edge of the corresponding terminal in the adjacent column. The aspect ratio of column pitch to gap width, as shown in FIG. 6, is P/X . It has been found that an aspect ratio of about 5 (*i.e.*, 2 mm column pitch; 0.4 mm gap width) is adequate to sufficiently limit cross talk where the columns are also staggered. Where the columns are not staggered, an aspect ratio of about 8-10 is desirable.

[0097] As described above, by offsetting the columns, the level of multi-active cross talk occurring in any particular terminal can be limited to a level that is acceptable for the particular connector application. As shown in FIG. 6, each column is offset from the adjacent column, in the direction along the columns, by a distance d . Specifically, column 601 is offset from column 602 by an offset distance d , column 602 is offset from column 603 by a distance d , and so forth. Since each column is offset from the adjacent column, each terminal is offset from an adjacent terminal in an adjacent column. For example, signal contact 680 in differential pair DP3 is offset from signal contact 681 in differential pair DP4 by a distance d as shown.

[0098] FIG. 7 illustrates another configuration of differential pairs wherein each column of terminals is offset relative to adjacent columns. For example, as shown, differential pair DP1 in column 701 is offset from differential pair DP2 in the adjacent column 702 by a distance d . In this embodiment, however, the array of terminals does not include ground contacts separating each differential pair. Rather, the differential pairs within each column are separated from each other by a distance greater than the distance separating one terminal in a differential pair from the second terminal in the same differential pair. For example, where the distance

between terminals within each differential pair is Y , the distance separating differential pairs can be $Y+X$, where $Y+X/Y \gg 1$. It has been found that such spacing also serves to reduce cross talk.

[0099] EXEMPLARY CONNECTOR SYSTEMS ACCORDING TO THE INVENTION

[0100] FIG. 8 is a perspective view of a right angle electrical connector according to the invention that is directed to a high speed electrical connector wherein signal conductors of a differential signal pair have a substantially constant differential impedance along the length of the differential signal pair. As shown in FIG. 8, a connector 800 comprises a first section 801 and a second section 802. First section 801 is electrically connected to a first electrical device 810 and second section 802 is electrically connected to a second electrical device 812. Such connections may be SMT, PIP, solder ball grid array, press fit, or other such connections. Typically, such connections are conventional connections having conventional connection spacing between connection pins; however, such connections may have other spacing between connection pins. First section 801 and second section 802 can be electrically connected together, thereby electrically connecting first electrical device 810 to second electrical device 812.

[0101] As can be seen, first section 801 comprises a plurality of modules 805. Each module 805 comprises a column of conductors 830. As shown, first section 801 comprises six modules 805 and each module 805 comprises six conductors 830; however, any number of modules 805 and conductors 830 may be used. Second section 802 comprises a plurality of modules 806. Each module 806 comprises a column of conductors 840. As shown, second section 802 comprises six modules 806 and each module 806 comprises six conductors 840; however, any number of modules 806 and conductors 840 may be used.

[0102] FIG. 9 is a side view of connector 800. As shown in FIG. 9, each module 805 comprises a plurality of conductors 830 secured in a frame 850. Each conductor 830 comprises a connection pin 832 extending from frame 850 for connection to first electrical device 810, a blade 836 extending from frame 850 for connection to second section 802, and a conductor segment 834 connecting connection pin 832 to blade 836.

[0103] Each module 806 comprises a plurality of conductors 840 secured in frame 852. Each conductor 840 comprises a contact interface 841 and a connection pin 842. Each contact interface 841 extends from frame 852 for connection to a blade 836 of first section 801. Each contact interface 840 is also electrically connected to a connection pin 842 that extends from frame 852 for electrical connection to second electrical device 812.

[0104] Each module 805 comprises a first hole 856 and a second hole 857 for alignment with an adjacent module 805. Thus, multiple columns of conductors 830 may be

aligned. Each module 806 comprises a first hole 847 and a second hole 848 for alignment with an adjacent module 806. Thus, multiple columns of conductors 840 may be aligned.

[0105] Module 805 of connector 800 is shown as a right angle module. That is, a set of first connection pins 832 is positioned on a first plane (*e.g.*, coplanar with first electrical device 810) and a set of second connection pins 842 is positioned on a second plane (*e.g.*, coplanar with second electrical device 812) perpendicular to the first plane. To connect the first plane to the second plane, each conductor 830 turns a total of about ninety degrees (a right angle) to connect between electrical devices 810 and 812.

[0106] To simplify conductor placement, conductors 830 can have a rectangular cross section; however, conductors 830 may be any shape. In this embodiment, conductors 830 have a high ratio of width to thickness to facilitate manufacturing. The particular ratio of width to thickness may be selected based on various design parameters including the desired communication speed, connection pin layout, and the like.

[0107] FIG. 10 is a side view of two modules of connector 800 taken along line A-A and FIG. 11 is a top view of two modules of connector 800 taken along line B-B. As can be seen, each blade 836 is positioned between two single beam contacts 849 of contact interface 841, thereby providing electrical connection between first section 801 and second section 802 and described in more detail below. Connection pins 832 are positioned proximate to the centerline of module 805 such that connection pins 832 may be mated to a device having conventional connection spacing. Connection pins 842 are positioned proximate to the centerline of module 806 such that connection pins 842 may be mated to a device having conventional connection spacing. Connection pins, however, may be positioned at an offset from the centerline of module 806 if such connection spacing is supported by the mating device. Further, while connection pins are illustrated in the Figures, other connection techniques are contemplated such as, for example, solder balls and the like.

[0108] Returning now to illustrative connector 800 of FIG. 8 to discuss the layout of connection pins and conductors, first section 801 of connector 800 comprises six columns and six rows of conductors 830. Conductors 830 may be either signal conductors S or ground conductors G. Typically, each signal conductor S is employed as either a positive conductor or a negative conductor of a differential signal pair; however, a signal conductor may be employed as a conductor for single ended signaling. In addition, such conductors 830 may be arranged in either columns or rows.

[0109] In addition to conductor placement, differential impedance and insertion losses are also affected by the dielectric properties of material proximate to the conductors. Generally,

It is desirable to have materials having very low dielectric constants adjacent and in contact with as much as the conductors as possible. Air is the most desirable dielectric because it allows for a lightweight connector and has the best dielectric properties. While frame 850 and frame 852 may comprise a polymer, a plastic, or the like to secure conductors 830 and 840 so that desired gap tolerances may be maintained, the amount of plastic used is minimized. Therefore, the rest of connector comprises an air dielectric and conductors 830 and 840 are positioned both in air and only minimally in a second material (e.g., a polymer) having a second dielectric property. Therefore, to provide a substantially constant differential impedance profile, in the second material, the spacing between conductors of a differential signal pair may vary.

[0110] As shown, the conductors can be exposed primarily to air rather than being encased in plastic. The use of air rather than plastic as a dielectric provides a number of benefits. For example, the use of air enables the connector to be formed from much less plastic than conventional connectors. Thus, a connector according to the invention can be made lower in weight than conventional connectors that use plastic as the dielectric. Air also allows for smaller gaps between contacts and thereby provides for better impedance and cross talk control with relatively larger contacts, reduces cross-talk, provides less dielectric loss, increases signal speed (*i.e.*, less propagation delay).

[0111] Through the use of air as the primary dielectric, a lightweight, low-impedance, low cross talk connector can be provided that is suitable for use as a ball grid assembly ("BGA") right-angle connector. Typically, a right angle connector is "off-balance, *i.e.*, disproportionately heavy in the mating area. Consequently, the connector tends to "tilt" in the direction of the mating area. Because the solder balls of the BGA, while molten, can only support a certain mass, prior art connectors typically are unable to include additional mass to balance the connector. Through the use of air, rather than plastic, as the dielectric, the mass of the connector can be reduced. Consequently, additional mass can be added to balance the connector without causing the molten solder balls to collapse.

[0112] FIG. 12 illustrates the change in spacing between conductors in rows as conductors pass from being surrounded by air to being surrounded by frame 850. As shown in FIG. 12, at connection pin 832 the distance between conductor S+ and S- is D1. Distance D1 may be selected to mate with conventional connector spacing on first electrical device 810 or may be selected to optimize the differential impedance profile. As shown, distance D1 is selected to mate with a conventional connector and is positioned proximate to the centerline of module 805. As conductors S+ and S- travel from connection pins 832 through frame 850, conductors S+, S- jog towards each other, culminating in a separation distance D2 in air region

860. Distance D2 is selected to give the desired differential impedance between conductor S+ and S-, given other parameters, such as proximity to a ground conductor G. The desired differential impedance Z_0 depends on the system impedance (e.g., first electrical device 810), and may be 100 ohms or some other value. Typically, a tolerance of about 5 percent is desired; however, 10 percent may be acceptable for some applications. It is this range of 10% or less that is considered substantially constant differential impedance.

[0113] As shown in FIG. 13A, conductors S+ and S- are positioned from air region 860 towards blade 836 and jog outward with respect to each other within frame 850 such that blades 836 are separated by a distance D3 upon exiting frame 850. Blades 836 are received in contact interfaces 841, thereby providing electrical connection between first section 801 and second section 802. As contact interfaces 841 travel from air region 860 towards frame 852, contact interfaces 841 jog outwardly with respect to each other, culminating in connection pins 842 separated by a distance of D4. As shown, connection pins 842 are positioned proximate to the centerline of frame 852 to mate with conventional connector spacing.

[0114] FIG. 14 is a perspective view of conductors 830. As can be seen, within frame 850, conductors 830 jog, either inwardly or outwardly to maintain a substantially constant differential impedance profile along the conductive path.

[0115] FIG. 15 is a perspective view of conductor 840 that includes two single beam contacts 849, one beam contact 849 on each side of blade 836. This design may provide reduced cross talk performance, because each single beam contact 849 is further away from its adjacent contact. Also, this design may provide increased contact reliability, because it is a "true" dual contact. This design may also reduce the tight tolerance requirements for the positioning of the contacts and forming of the contacts.

[0116] As can be seen, within frame 852, conductor 840 jogs, either inward or outward to maintain a substantially constant differential impedance profile and to mate with connectors on second electrical device 812. For arrangement into columns, conductors 830 and 840 are positioned along a centerline of frames 850, 852, respectively.

[0117] FIG. 13B is a cross-sectional view taken along line C-C of FIG. 13A. As shown in FIG. 13B, terminal blades 836 are received in contact interfaces 841 such that beam contacts 839 engage respective sides of blades 836. Preferably, the beam contacts 839 are sized and shaped to provide contact between the blades 836 and the contact interfaces 841 over a combined surface area that is sufficient to maintain the electrical characteristics of the connector during mating and unmating of the connector.

[0118] As shown in FIG. 13A, the contact design allows the edge-coupled aspect ratio to be maintained in the mating region. That is, the aspect ratio of column pitch to gap width chosen to limit cross talk in the connector, exists in the contact region as well, and thereby limits cross talk in the mating region. Also, because the cross-section of the unmated blade contact is nearly the same as the combined cross-section of the mated contacts, the impedance profile can be maintained even if the connector is partially unmated. This occurs, at least in part, because the combined cross-section of the mated contacts includes no more than one or two thickness of metal (the thicknesses of the blade and the contact interface), rather than three thicknesses as would be typical in prior art connectors (see FIG. 13B, for example). Unplugging a connector such as shown in FIG. 13B results in a significant change in cross-section, and therefore, a significant change in impedance (which causes significant degradation of electrical performance if the connector is not properly and completely mated). Because the contact cross-section does not change dramatically as the connector is unmated, the connector (as shown in FIG. 13A) can provide nearly the same electrical characteristics when partially unmated (*i.e.*, unmated by about 1-2 mm) as it does when fully mated.

[0119] FIG 16A is a perspective view of a backplane system having an exemplary right angle electrical connector in accordance with an embodiment of the invention. As shown in Figure 16A, connector 900 comprises a plug 902 and receptacle 1100.

[0120] Plug 902 comprises housing 905 and a plurality of lead assemblies 908. The housing 905 is configured to contain and align the plurality of lead assemblies 908 such that an electrical connection suitable for signal communication is made between a first electrical device 910 and a second electrical device 912 via receptacle 1100. In one embodiment of the invention, electrical device 910 is a backplane and electrical device 912 is a daughtercard. Electrical devices 910 and 912 may, however, be any electrical device without departing from the scope of the invention.

[0121] As shown, the connector 902 comprises a plurality of lead assemblies 908. Each lead assembly 908 comprises a column of terminals or conductors 930 therein as will be described below. Each lead assembly 908 comprises any number of terminals 930.

[0122] FIG. 16B is backplane system similar to FIG. 16A except that the connector 903 is a single device rather than mating plug and receptacle. Connector 903 comprises a housing and a plurality of lead assemblies (not shown). The housing is configured to contain and align the plurality of lead assemblies (not shown) such that an electrical connection suitable for signal communication is made between a first electrical device 910 and a second electrical device 912

[0123] FIG. 16C is a board-to-board system similar to FIG. 16A except that plug connector 905 is a vertical plug connector rather than a right angle plug connector. This embodiment makes electrical connection between two parallel electrical devices 910 and 913. A vertical back-panel receptacle connector according to the invention can be insert molded onto a board, for example. Thus, spacing, and therefore performance, can be maintained.

[0124] FIG. 17 is a perspective view of the plug connector of FIG. 16A shown without electrical devices 910 and 912 and receptacle connector 1100. As shown, slots 907 are formed in the housing 905 that contain and align the lead assemblies 908 therein. FIG. 17 also shows connection pins 932, 942. Connection pins 942 connect connector 902 to electrical device 912. Connection pins 932 electrically connect connector 902 to electrical device 910 via receptacle 1100. Connection pins 932 and 942 may be adapted to provide through-mount or surface-mount connections to an electrical device (not shown).

[0125] In one embodiment, the housing 905 is made of plastic, however, any suitable material may be used. The connections to electrical devices 910 and 912 may be surface or through mount connections.

[0126] FIG. 18 is a side view of plug connector 902 as shown in FIG. 17. As shown, the column of terminals contained in each lead assembly 908 are offset from one another column of terminals in an adjacent lead assembly by a distance D. Such an offset is discussed more fully above in connection with FIGs. 6 and 7.

[0127] FIG. 19A is a side view of a single lead assembly 908. As shown in FIG. 19A, one embodiment of lead assembly 908 comprises a metal lead frame 940 and an insert molded plastic frame 933. In this manner, the insert molded lead assembly 933 serves to contain one column of terminals or conductors 930. The terminals may comprise either differential pairs or ground contacts. In this manner, each lead assembly 908 comprises a column of differential pairs 935A and 935B and ground contacts 937.

[0128] As is also shown in FIG. 19A, the column of differential pairs and ground contacts contained in each lead assembly 908 are arranged in a signal-signal-ground configuration. In this manner, the top contact of the column of terminals in lead assembly 908 is a ground contact 937A. Adjacent to ground contact 937A is a differential pair 935A comprised of a two signal contacts, one with a positive polarity and one with a negative polarity.

[0129] As shown, the ground contacts 937A and 937B extend a greater distance from the insert molded lead assembly 933. As shown in FIG. 19B, such a configuration allows the ground contacts 937 to mate with corresponding receptacle contacts 1102G in receptacle 1100 before the signal contacts 935 mate with corresponding receptacle contacts 1102S. Thus, the

connected devices (not shown in FIG. 19B) can be brought to a common ground before signal transmission occurs between them. This provides for "hot" connection of the devices.

[0130] Lead assembly 908 of connector 900 is shown as a right angle module. To explain, a set of first connection pins 932 is positioned on a first plane (e.g., coplanar with first electrical device 910) and a set of second connection pins 942 is positioned on a second plane (e.g., coplanar with second electrical device 912) perpendicular to the first plane. To connect the first plane to the second plane, each conductor 930 is formed to extend a total of about ninety degrees (a right angle) to electrically connect electrical devices 910 and 912.

[0131] FIGs. 20 and 21 are end and side views, respectively, of two columns of terminals in accordance with one aspect of the invention. As shown in FIGs. 20 and 21, adjacent columns of terminals are staggered in relation to one another. In other words, an offset exists between terminals in adjacent lead assemblies. In particular and as shown in FIGs. 20 and 21, an offset of distance d exists between terminals in column 1 and terminals in column 2. As shown, the offset d runs along the entire length of the terminal. As stated above, the offset reduces the incidence of cross talk by furthering the distance between the signal carrying contacts.

[0132] To simplify conductor placement, conductors 930 have a rectangular cross section as shown in FIGs. 20 and 21. Conductors 930 may, however, be any shape.

[0133] FIG. 22 is a perspective view of the receptacle portion of the connector shown in FIG. 16A. Receptacle 1100 may be mated with connector plug 902 (as shown in FIG. 16A) and used to connect two electrical devices (not shown). Specifically, connection pins 932 (as shown in FIG. 17) may be inserted into apertures 1142 to electrically connect connector 902 to receptacle 1100. Receptacle 1100 also includes alignment structures 1120 to aid in the alignment and insertion of connector 900 into receptacle 1100. Once inserted, structures 1120 also serve to secure the connector once inserted into receptacle 1100. Such structures 1120 thereby prevent any movement that may occur between the connector and receptacle that could result in mechanical breakage therebetween.

[0134] Receptacle 1100 includes a plurality of receptacle contact assemblies 1160 each containing a plurality of terminals (only the tails of which are shown). The terminals provide the electrical pathway between the connector 900 and any mated electrical device (not shown).

[0135] FIG. 23 is a side view of the receptacle of FIG. 22 including structures 1120, housing 1150 and receptacle lead assembly 1160. As shown, FIG. 23 also shows that the receptacle lead assemblies may be offset from one another in accordance with the invention. As stated above, such offset reduces the occurrence of multi-active cross talk as described above.

[0136] FIG. 24 is a perspective view of a single receptacle contact assembly not contained in receptacle housing 1150. As shown, the assembly 1160 includes a plurality of dual beam conductive terminals 1175 and a holder 1168 made of insulating material. In one embodiment, the holder 1168 is made of plastic injection molded around the contacts; however, any suitable insulating material may be used without departing from the scope of the invention.

[0137] FIG. 25 is a perspective view of a connector in accordance with another embodiment of the invention. As shown, connector 1310 and receptacle 1315 are used in combination to connect an electrical device, such as circuit board 1305 to a cable 1325. Specifically, when connector 1310 is mated with receptacle 1315, an electrical connection is established between board 1305 and cable 1325. Cable 1325 can then transmit signals to any electrical device (not shown) suitable for receiving such signals.

[0138] In another embodiment of the invention, it is contemplated that the offset distance, d , may vary throughout the length of the terminals in the connector. In this manner, the offset distance may vary along the length of the terminal as well as at either end of the conductor. To illustrate this embodiment and referring now to FIG. 26, a side view of a single column of right angle terminals is shown. As shown, the height of the terminals in section A is height $H1$ and the height of the cross section of terminals in section B is height $H2$.

[0139] FIGs. 27 and 28 are end views of the columns of right angle terminals taken along lines A-A and lines B-B respectively. In addition to the single column of terminals shown in FIG. 26, FIGs. 27 and 28 also show an adjacent column of terminals contained in the adjacent lead assembly contained in the connector housing.

[0140] In accordance with the invention, the offset of adjacent columns may vary along the length of the terminals within the lead assembly. More specifically, the offset between adjacent columns varies according to adjacent sections of the terminals. In this manner, the offset distance between columns is different in section A of the terminals than in section B of the terminals.

[0141] As shown in FIGs. 27 and 28, the cross sectional height of terminals taken along line A-A in section A of the terminal is $H1$ and the cross sectional height of terminals in section B taken along line B-B is height $H2$. As shown in FIG. 27, the offset of terminals in section A, where the cross sectional height of the terminal is $H1$, is a distance $D1$.

[0142] Similarly, FIG. 28 shows the offset of the terminals in section B of the terminal. As shown, the offset distance between terminals in section B of the terminal is $D2$. Preferably, the offset $D2$ is chosen to minimize crosstalk, and may be different from the offset $D1$ because

spacing or other parameters are different. The multi-active cross talk that occurs between the terminals can thus be reduced, thereby increasing signal integrity.

[0143] In another embodiment of the invention, to further reduce cross talk, the offset between adjacent terminal columns is different than the offset between vias on a mated printed circuit board. A via is conducting pathway between two or more layers on a printed circuit board. Typically, a via is created by drilling through the printed circuit board at the appropriate place where two or more conductors will interconnect.

[0144] To illustrate such an embodiment, FIG. 29 illustrates a front view of a cross section of four columns of terminals as the terminals mate to vias on an electrical device. Such an electric device may be similar to those as illustrated in FIG. 16A. The terminals 1710 of the connector (not shown) are inserted into vias 1700 by connection pins (not shown). The connection pins, however, may be similar to those shown in FIG. 17.

[0145] In accordance with this embodiment of the invention, the offset between adjacent terminal columns is different than the offset between vias on a mated printed circuit board. Specifically, as shown in FIG. 29, the distance between the offset of adjacent column terminals is D_1 and the distance between the offset of vias in an electrical device is D_2 . By varying these two offset distances to their optimal values in accordance with the invention, the cross talk that occurs in the connector of the invention is reduced and the corresponding signal integrity is maintained.

[0146] FIG. 30 is a perspective view of a portion of another embodiment of a right angle electrical connector 1100. As shown in FIG. 30, conductors 930 are positioned from a first plane to a second plane that is orthogonal to the first plane. Distance D between adjacent conductors 930 remains substantially constant, even though the width of conductor 930 may vary and even though the path of conductor 930 may be circuitous. This substantially constant gap D provides a substantially constant differential impedance along the length of the conductors.

[0147] FIG. 31 is a perspective view of another embodiment of a right angle electrical connector 1200. As shown in Figure 12, modules 1210 are positioned in a frame 1220 to provide proper spacing between adjacent modules 1210.

[0148] FIG. 32 is a perspective view of an alternate embodiment of a receptacle connector 1100'. As shown in FIG. 32, connector 1100' comprises a frame 1190 to provide proper spacing between connection pins 1175'. Frame 1190 comprises recesses, in which conductors 1175' are secured. Each conductor 1175' comprises a single contact interface 1191 and a connection pin 1192. Each contact interface 1191 extends from frame 1190 for connection to a corresponding plug contact, as described above. Each connection pin 1192 extends from

frame 1190 for electrical connection to a second electrical device. Receptacle connector 1190 may be assembled via a stitching process.

[0149] To attain desirable gap tolerances over the length of conductors 903, connector 900 may be manufactured by the method as illustrated in FIG. 33. As shown in FIG. 33, at step 1400, conductors 930 are placed in a die blank with predetermined gaps between conductors 930. At step 1410, polymer is injected into the die blank to form the frame of connector 900. The relative position of conductors 930 are maintained by frame 950. Subsequent warping and twisting caused by residual stresses can have an effect on the variability, but if well designed, the resultant frame 950 should have sufficient stability to maintain the desired gap tolerances. In this manner, gaps between conductors 930 can be controlled with variability of tenths of thousandths of an inch.

[0150] Preferably, to provide the best performance, the current carrying path through the connector should be made as highly conductive as possible. Because the current carrying path is known to be on the outer portion of the contact, it is desirable that the contacts be plated with a thin outer layer of a high conductivity material. Examples of such high conductivity materials include gold, copper, silver, a tin alloy.

[0151] CONNECTORS HAVING CONTACTS THAT MAY BE SELECTIVELY DESIGNATED

[0152] FIGs. 34A and 34B depict example embodiments of a header assembly for a connector according to the invention. As shown, the header assembly 200 may include a plurality of insert molded lead assemblies (IMLAs) 202. According to an aspect of the invention, an IMLA 202 may be used, without modification, for single-ended signaling, differential signaling, or a combination of single-ended signaling and differential signaling.

[0153] Each IMLA 202 includes plurality of electrically conductive contacts 204. Preferably, the contacts 204 in each IMLA 202 form respective linear contact arrays 206. As shown, the linear contact arrays 206 are arranged as contact columns, though it should be understood that the linear contact arrays could be arranged as contact rows. Also, though the header assembly 200 is depicted with 150 contacts (*i.e.*, 10 IMLAs with 15 contacts per IMLA), it should be understood that an IMLA may include any desired number of contacts and a connector may include any number of IMLAs. For example, IMLAs having 12 or 9 electrical contacts are also contemplated. A connector according to the invention, therefore, may include any number of contacts.

[0154] The header assembly 200 includes an electrically insulating lead frame 208 through which the contacts extend. Preferably, the lead frame 208 is made of a dielectric

material such as a plastic. According to an aspect of the invention, the lead frame 208 is constructed from as little material as possible. Otherwise, the connector is air-filled. That is, the contacts may be insulated from one another using air as a second dielectric. The use of air provides for a decrease in crosstalk and for a low-weight connector (as compared to a connector that uses a heavier dielectric material throughout).

[0155] The contacts 202 include terminal ends 210 for engagement with a circuit board. Preferably, the terminal ends are compliant terminal ends, though it should be understood that the terminals ends could be press-fit or any surface-mount or through-mount terminal ends. The contacts also include mating ends 212 for engagement with complementary receptacle contacts (described below in connection with FIGs. 35A-B).

[0156] As shown in FIG. 34A, a housing 214A is preferred. The housing 214A includes a first pair of end walls 216A. FIG. 34B depicts a header assembly with a peripheral shield assembly 214B that includes a first pair of end walls 216B and a second pair of end walls 218B.

[0157] According to an aspect of the invention, the header assembly may be devoid of any internal shielding. That is, the header assembly may be devoid of any shield plates, for example, between adjacent contact arrays. A connector according to the invention may be devoid of such internal shielding even for high-speed, high-frequency, fast rise-time signaling.

[0158] Though the header assembly 200 depicted in FIGs. 34A-B is shown for a right-angle connector, it should be understood that a connector according to the invention may be any style connector, such as a mezzanine connector, for example. That is, an appropriate header assembly may be designed according to the principles of the invention for any type connector.

[0159] FIGs. 35A and 35B depict an example embodiment of a receptacle assembly 220 for a connector according to the invention. The receptacle assembly 220 includes a plurality of receptacle contacts 224, each of which is adapted to receive a respective mating end 212. Further, the receptacle contacts 224 are arranged in an arrangement that is complementary to the arrangement of the mating ends 212. Thus, the mating ends 212 may be received by the receptacle contacts 224 upon mating of the assemblies. Preferably, to complement the arrangement of the mating ends 212, the receptacle contacts 224 are arranged to form linear contact arrays 226. Again, though the receptacle assembly 220 is depicted with 150 contacts (*i.e.*, 15 contacts per column), it should be understood that a connector according to the invention may include any number of contacts.

[0160] Each receptacle contact 224 has a mating end 230, for receiving a mating end 212 of a complementary header contact 204, and a terminal end 232 for engagement with a

circuit board. Preferably, the terminal ends 232 are compliant terminal ends, though it should be understood that the terminals ends could be press-fit, balls, or any surface-mount or through-mount terminal ends. A housing 234 is also preferably provided to position and retain the IMLAs relative to one another.

[0161] According to an aspect of the invention, the receptacle assembly may also be devoid of any internal shielding. That is, the receptacle assembly may be devoid of any shield plates, for example, between adjacent contact arrays.

[0162] FIG. 36 depicts an example embodiment of a connector according to the invention connecting signal paths between two circuit boards 240A-B. Circuit boards 240A-B may be mother and daughter boards, for example. In general, a circuit board 240A-B may include one or more differential signaling paths, one or more single-ended signaling paths, or a combination of differential signaling paths and single-ended signaling paths. A signaling path typically includes an electrically conductive trace 242 that is electrically connected to an electrically conductive pad 244. The terminals ends of the connector contacts are typically electrically coupled to the conductive pads (*e.g.*, by soldering, BGA, press-fitting, or other techniques well-known in the art). If the circuit board is a multi-layer circuit board (as shown), the signaling path may also include an electrically conductive via 243 that extends through the circuit board.

[0163] Typically, a system manufacturer defines the signaling paths for a given application. According to an aspect of the invention, the same connector may be used, without structural modification, to connect either differential or single-ended signaling paths. According to an aspect of the invention, a system manufacturer may be provided with an electrical connector as described above (that is, an electrical connector comprising a linear array of contacts that may be selectively designated as either ground or signal contacts).

[0164] The system manufacturer may then designate the contacts as either ground or signal contacts, and electrically connect the connector to a circuit board. The connector may be electrically connected to the circuit board, for example, by electrically connecting a contact designated as a signal contact to a signaling path on the circuit board. The signaling path may be a single-ended signaling path or a differential signaling path. The contacts may be designated to form any combination of differential signal pairs and/or single-ended signal conductors.

[0165] FIG. 37 is a side view of an example embodiment of an IMLA 202 according to the invention. The IMLA 202 includes a linear contact array 206 of electrically conductive contacts 204, and a lead frame 208 through which the contacts 204 at least partially extend. According to an aspect of the invention, the contacts 204 may be selectively designated as either

ground or signal contacts. In a first designation, the contacts form at least one differential signal pair comprising a pair of signal contacts. In a second designation, the contacts form at least one single-ended signal conductor. In a third designation, the contacts form at least one differential signal pair and at least one single-ended signal conductor.

[0166] FIGs. 38A-38C depict example contact designations for an IMLA such as depicted in FIG. 37. As shown in FIG. 38A, contacts b, c, e, f, h, i, k, l, n, and o, for example, may be defined to be signal contacts, while contacts a, d, g, j, and m, for example, may be defined to be ground contacts. In such a designation, signal contact pairs b-c, e-f, h-i, k-l, and n-o form differential signal pairs. As shown in FIG. 38B, contacts b, d, f, h, j, l, and n, for example, may be defined to be signal contacts, while contacts a, c, e, g, i, k, m, and o, for example, may be defined to be ground contacts. In such a designation, signal contacts b, d, f, h, j, l, and n form single-ended signal conductors. As shown in FIG. 38C, contacts b, c, e, f, h, j, l, and n, for example, may be defined to be signal contacts, while contacts a, d, g, i, k, m, and o, for example, may be defined to be ground contacts. In such a designation, signal contact pairs b-c and e-f form differential signal pairs, and signal contacts h, j, l, and n form single-ended signal conductors. It should be understood that, in general, each of the contacts may thus be defined as either a signal contact or a ground contact depending on the requirements of the application.

[0167] In each of the designations depicted in FIGs. 38A-38C, contacts g and m are ground contacts. As discussed in detail above, it may be desirable, though not necessary, for ground contacts to extend further than signal contacts. This may be desired so that the ground contacts make contact before the signal contacts do, thus bringing the system to ground before the signal contacts are mated. Because contacts g and m are ground contacts in either designation, the terminal ends of ground contacts g and m may be extended beyond the terminal ends of the other contacts so that the ground contacts g and m mate before any of the signal contacts mate and, still, the IMLA can support either designation without modification.

[0168] FIG. 39 is a side view of another example embodiment of an insert molded lead assembly according to the invention. FIGs. 40A-40C depict example contact designations for an IMLA such as depicted in FIG. 39.

[0169] As shown in FIG. 40A, contacts a, b, d, e, g, h, j, k, m, and n, for example, may be defined to be signal contacts, while contacts c, f, i, l, and o, for example, may be defined to be ground contacts. In such a designation, signal contact pairs a-b, d-e, g-h, j-k, and m-n form differential signal pairs. As shown in FIG. 40B, contacts a, c, e, g, i, k, and m, and o for example, may be defined to be signal contacts, while contacts b, d, f, h, j, l, and n, for example, may be defined to be ground contacts. In such a designation, signal contacts a, c, e, g, i, k, and

m, and o form single-ended signal conductors. As shown in FIG. 40C, contacts a, c, e, g, h, j, k, m, and n, for example, may be defined to be signal contacts, while contacts b, d, f, i, l, and o, for example, may be defined to be ground contacts. In such a designation, signal contacts a, c, and e form single-ended signal conductors, and signal contact pairs g-h, j-k, and m-n form differential signal pairs. Again, it should be understood that, in general, each of the contacts may thus be defined as either a signal contact or a ground contact depending on the requirements of the application. In each of the designations depicted in FIGs. 40A-40C, contacts f and l are ground contacts, the terminal ends of which may extend beyond the terminal ends of the other contacts so that the ground contacts f and l mate before any of the signal contacts mate.

[0170] The contact array may be configured such that a desired impedance between contacts is achieved, and such that insertion loss and cross-talk are limited to acceptable levels - even in the absence of shield plates between adjacent IMLAs. Further, because desired levels of impedance, insertion loss, and cross-talk may be achieved within a single IMLA even in the absence of shields, a single IMLA may function as a connector system independently of the presence or absence of adjacent IMLAs, and independently of the designation of any adjacent IMLAs. In other words, an IMLA according to the invention does not require adjacent IMLAs to function properly.

[0171] Though the present invention provides for lightweight, high contact density connectors, contact density may be sacrificed in instances where manufacturing costs or specific product requirements negate the need for high density. Because an IMLA according to the invention does not require adjacent IMLAs to function properly, IMLAs may be spaced relatively closely together or relatively far apart from one another without a significant reduction in performance. Greater IMLA spacing facilitates the use of larger diameter contact wires, which are easier to make and manipulate using known automated production processes.

[0172] FIG. 41 depicts a contact arrangement for an adjacent pair of IMLAs I1, I2 wherein the contacts are defined to form a respective plurality of differential signal pairs in each IMLA. For purposes of this description, the linear contact arrays 246A and 246B may be considered contact columns. The rows are referred to as A-O. Signal contacts are designated by the letter of the corresponding row; ground contacts are designated by GND. As shown, contacts 1A and 1B form a pair, contacts 2B and 2C form a pair, *etc.*

[0173] A number of parameters may be considered in determining a suitable contact array configuration for an IMLA according to the invention. For example, contact thickness and width, gap width between adjacent contacts, and adjacent contact coupling may be considered in determining a suitable contact array configuration that provides acceptable or optimal levels of

impedance, insertion loss, and cross-talk, without the need for shields between adjacent contact arrays, in an IMLA that may be designated as differential, single-ended, or a combination of both. Issues relating to the consideration of these and other such parameters are described in detail above. Though it should be understood that such parameters may be tailored to fit the needs of a particular connector application, an example connector according to the invention will now be described to provide example parameter values and performance data obtained for such a connector.

[0174] In an embodiment of the invention, each contact may have a contact width W of about one millimeter, and contacts may be set on 1.4 millimeter centers C . Thus, adjacent contacts may have a gap width GW between them of about 0.4 millimeters. The IMLA may include a lead frame into or through which the contacts extend. The lead frame may have a thickness T of about 0.35 millimeters. An IMLA spacing IS between adjacent contact arrays may be about two millimeters. Additionally, the contacts may be edge-coupled along the length of the contact arrays, and adjacent contact arrays may be staggered relative to one another.

[0175] Generally, the ratio W/GW of contact width W to gap width GW between adjacent contacts will be greater in a connector according to the invention than in prior art connectors that require shields between adjacent contact arrays. Such a connector is described in published U.S. patent application 2001/0005654A1. Typical connectors, such as those described in application 2001/0005654, require the presence of more than one lead assembly because they rely on shield plates between adjacent lead assemblies. Such lead assemblies typically include a shield plate disposed along one side of the lead frame so that when lead frames are placed adjacent to one another, the contacts are disposed between shield plates along each side. In the absence of an adjacent lead frame, the contacts would be shielded on only one side, which would result in unacceptable performance.

[0176] Because shield plates between adjacent contact arrays are not required in a connector according to the invention (because, as will be explained in detail below, desired levels of cross-talk, impedance, and insertion loss may be achieved in a connector according to the invention because of the configuration of the contacts), an adjacent lead assembly having a complementary shield is not required, and a single lead assembly may function acceptably in the absence of any adjacent lead assembly.

[0177] FIG. 42A provides a reflection plot of differential impedance as a function of signal propagation time through each of the differential signal pairs shown in FIG. 41. Differential impedance was measured for each signal pair at various times as a signal propagated through a first test board, associated header vias, the signal pair, associated receptacle vias, and a

second test board. As shown, each differential signal pair has a differential impedance of about 90-110 ohms, and the differential impedance is relatively constant (*i.e.*, +/- about 5 ohms over the length of the connector) through each of the signal pairs. A differential impedance of about 92-108 ohms is preferred. The impedance profile for each signal pair is about the same as the impedance profile for every other signal pair. Differential impedance was measured for a 40 ps rise time from 10%-90% of signal level.

[0178] FIG. 42B provides a plot of insertion loss as a function of signal frequency for each of the differential signal pairs shown in FIG. 41. As shown, insertion loss is relatively constant (less than about -2 dB) for signals up to 10 GHz, and insertion loss for each pair was about the same as the insertion loss for every other pair.

[0179] FIGs. 42C and 42D provide, respectively, worst case measurement0s of multi-active near-end and far-end crosstalk as measured at each of the signal pairs. The cross-talk was measured for 40 and 100 ps rise times from 10%-90% of signal level.

[0180] FIG. 43 depicts a contact arrangement for an adjacent pair of IMLAs wherein the contacts are defined to form a respective plurality of single-ended signal conductors in each IMLA. The IMLAs are the same as those depicted in FIG. 41, the only difference being the contact definitions. Again, the linear contact arrays 246A and 246B may be considered contact columns, and the rows are referred to as A-O. Signal contacts are designated by the letter of the corresponding row; ground contacts are designated by GND. As shown, contacts 1A, 2B, 1C, *etc.*, are single-ended signal conductors.

[0181] FIG. 44A provides a reflection plot of single-ended impedance as a function of signal propagation time through each of the signal contacts shown in FIG. 43. Single-ended impedance was measured for each signal contact at various times as a signal propagated through a first test board, an associated header via, the signal contact, an associated receptacle via, and a second test board. As shown, each single-ended signal conductor has a single-ended impedance of about 40-70 ohms, and the single-ended impedance is relatively constant (*i.e.*, +/- about 10 ohms over the length of the connector) through each of the signal contacts. A single-ended impedance of about 40-60 ohms is preferred. The impedance profile for each signal contact is about the same as the impedance profile for every other signal contact. Single-ended impedance was measured for a 40 ps rise time from 10%-90% of signal level.

[0182] FIG. 44B provides a reflection plot of single-ended impedance as a function of signal propagation time through each of the signal contacts shown in FIG. 43 measured for a 150 ps rise time from 20%-80% of signal level.

[0183] FIG. 44C provides a plot of insertion loss as a function of signal frequency for each of the signal contacts shown in FIG. 43. As shown, insertion loss is relatively constant (less than about -2 dB) for signals up to about four GHz, and insertion loss for each contact was about the same as the insertion loss for every other contact.

[0184] FIGs. 44D and 44E provide, respectively, worst case measurements of multi-active near-end and far-end crosstalk as measured at each of the signal contacts. The cross-talk was measured for a 150 ps rise time from 20% to 80% of signal level.

[0185] FIGs. 45A-45F provide cross-talk measurements for a single-ended aggressor injecting noise onto a differential pair. Signal contacts are designated by the letter of the corresponding row; pairs are surrounded by boxes. Ground contacts are designated by GND. For each differential pair in each array, half of the pair was driven (*i.e.*, contacts B, E, H, K, and N). The near-end and far-end differential noise voltage was measured on the adjacent pair. The non-driven half of the aggressor pair was terminated in 50 ohms. Cross-talk percentages are shown for rise-times of 40 ps (10%-90%), 100 ps (10%-90%), and 150 ps (20%-80%). The numbers shown indicate the percentage of the single-ended signal voltage that would show up as differential noise on the adjacent differential pair.

[0186] FIGs. 46A-46F provide cross-talk measurements for a differential pair aggressor injecting noise onto a single-ended contact. Again, signal contacts are designated by the letter of the corresponding row, and ground contacts are designated by GND. For each differential pair in each array, the pair was driven, and the near-end single-ended voltage was measured on one half of an adjacent pair (*i.e.*, contacts B, E, H, K, and N). The unused half of the victim pair was terminated in 50 ohms. Cross-talk percentages are shown for rise-times of 40 ps (10%-90%), 100 ps (10%-90%), and 150 ps (20%-80%). The numbers shown indicate the percentage of the differential signal voltage that would show up as single-ended noise on an adjacent single-ended contact.

[0187] In summation, the present invention can be a scalable, inverse two-piece backplane connector system that is based upon an IMLA design that can be used for either differential pair or single ended signals within the same IMLA. The column differential pairs demonstrate low insertion loss and low cross-talk from speeds less than approximately 2.5 Gb/sec to greater than approximately 12.5 Gb/sec. Exemplary configurations include 150 position for 1.0 inch slot centers and 120 position for 0.8 slot centers, all without interleaving shields. The IMLAs are stand-alone, which means that the IMLAs may be stacked into any centerline spacing required for customer density or routing considerations. Examples include, but are certainly not limited to, 2 mm, 2.5 mm, 3.0 mm, or 4.0 mm. By using air as a dielectric,

there is improved low-loss performance. By taking further advantage of electromagnetic coupling within each IMLA, the present invention helps to provide a shieldless connector with good signal integrity and EMI performance. The stand alone IMLA permits an end user to specify whether to assign pins as differential pair signals, single ended signals, or power. At least eighty Amps of capacity can be obtained in a low weight, high speed connector.

[0188] It is to be understood that the foregoing illustrative embodiments have been provided merely for the purpose of explanation and are in no way to be construed as limiting of the invention. Words which have been used herein are words of description and illustration, rather than words of limitation. Further, although the invention has been described herein with reference to particular structure, materials and/or embodiments, the invention is not intended to be limited to the particulars disclosed herein. Rather, the invention extends to all functionally equivalent structures, methods and uses. Those skilled in the art, having the benefit of the teachings of this specification, may affect numerous modifications thereto and changes may be made without departing from the scope and spirit of the invention in its aspects.

What is claimed is :

1. An electrical connector comprising:

a first linear contact array of electrically conductive contacts; and a first lead frame into which the electrically conductive contacts at least partially extend, wherein the electrically conductive contacts can be selectively designated as either ground or signal contacts such that, in a first designation, the electrically conductive contacts form at least one first differential signal pair comprising a first pair of signal contacts, and, in a second designation, the electrically conductive contacts form at least one first single-ended signal conductor; and

a second linear contact array of electrically conductive contacts; and a second lead frame into which the electrically conductive contacts of the second linear contact array at least partially extend, wherein the second lead frame is adjacent to the first lead frame, the electrically conductive contacts of the second linear contact array can be selectively designated as either ground or signal contacts such that, in a third designation, the electrically conductive contacts of the second linear contact array form at least one second differential signal pair comprising a second pair of signal contacts, and, in a fourth designation, the electrically conductive contacts of the second linear contact array form at least one second single-ended signal conductor,

wherein, at a forty picosecond rise time, the first linear contact array of electrically conductive contacts functions as a connector system independently of the presence or absence of the second linear contact array of electrically conductive contacts, independently of the designation of the second linear contact array of electrically conductive contacts, and in the absence of a metallic shield plate between the first and second lead frames.

2. The electrical connector of claim 1, wherein the first linear contact array includes at least one ground contact disposed adjacent to the at least one first differential signal pair in the first designation and adjacent to the at least one first single-ended signal conductor in the second designation.

3. The electrical connector of claim 2, wherein the at least one ground contact is disposed in the same relative location within the first linear contact array in both the first designation and the second designation.
4. The electrical connector of claim 3, wherein each signal contact has a respective terminal end and wherein a terminal end of the ground contact extends beyond any terminal end of any of the signal contacts.
5. The electrical connector of claim 1, wherein cross-talk between signal contacts in the first linear array and signal contacts in the second linear array is limited to a desirable level.
6. The electrical connector of claim 5, wherein the cross-talk is limited as a result of a configuration of the electrically conductive contacts.
7. The electrical connector of claim 6, wherein the cross-talk is limited as a result of a ratio of electrically conductive contact width to a gap width between adjacent electrically conductive contacts.
8. The electrical connector of claim 6, wherein the electrically conductive contacts in the first linear contact array that are designated as signal contacts produce a relatively low electric field near the electrically conductive contacts in the second linear array that are designated as signal contacts.
9. The electrical connector of claim 8, wherein the at least one differential signal pair of signal contacts includes a gap between them, and wherein the at least one signal pair produces a relatively high electric field in the gap and a relatively low electric field near an adjacent signal contact.

10. The electrical connector of claim 9, wherein the adjacent signal contact is in the linear contact array.
11. The electrical connector of claim 9, wherein the adjacent signal contact is in the second linear contact array.
12. The electrical connector of claim 11, wherein the second linear contact array is staggered relative to the linear contact array.
13. The electrical connector of claim 1, wherein the at least one differential signal pair has a differential impedance of about 90-110 ohms.
14. The electrical connector of claim 1, wherein the at least one single-ended signal conductor has a single-ended impedance of about 40-70 ohms.
15. The electrical connector of claim 1, wherein the at least one differential signal pair has an insertion loss of less than about 0.7 dB at approximately 5 GHz.
16. The electrical connector of claim 1, wherein multi-active near-end cross-talk measured at the at least one differential signal pair is less than about three percent at the forty picosecond rise time.
17. The electrical connector of claim 1, wherein multi-active near-end cross-talk measured at the single-ended signal conductor is less than about five to eight percent at an approximate 150 picosecond rise time.
18. The electrical connector of claim 1, wherein multi-active far-end cross-talk measured at the at least one differential signal pair is less than about four percent at the forty picosecond rise time.

19. The electrical connector of claim 1, wherein multi-active far-end cross-talk measured at the single-ended signal conductor is less than about three percent at an approximate 150 picosecond rise time.

20. The electrical connector of claim 1, wherein crosstalk is limited as a result of a ratio of electrically conductive contact width to a gap width between adjacent electrically conductive contacts.

21. The electrical connector of claim 1, wherein the at least one single-ended signal conductor has an insertion loss of less than about 2 dB at approximately 4 GHz.

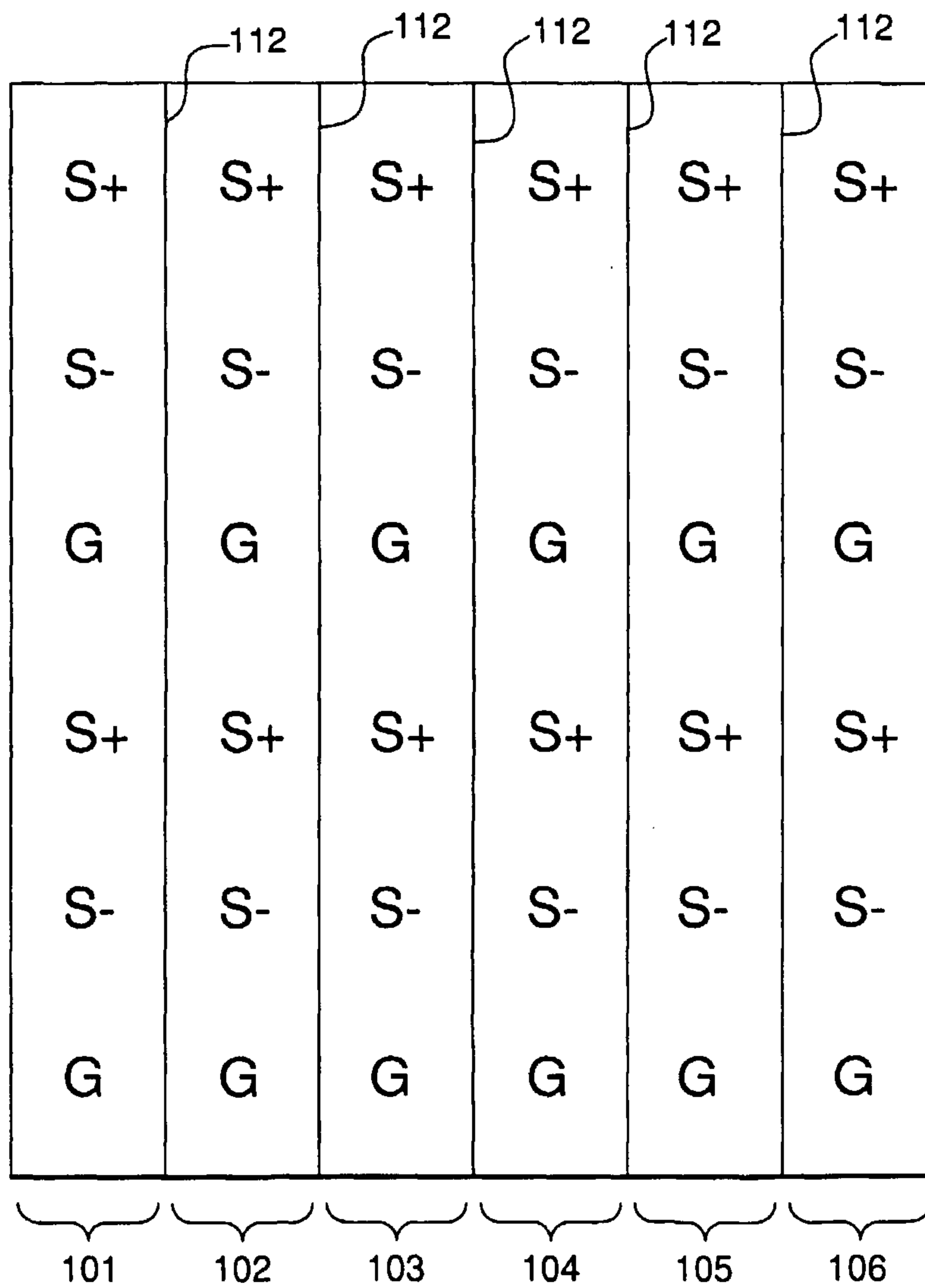


FIG. 1A
(PRIOR ART)

2/68

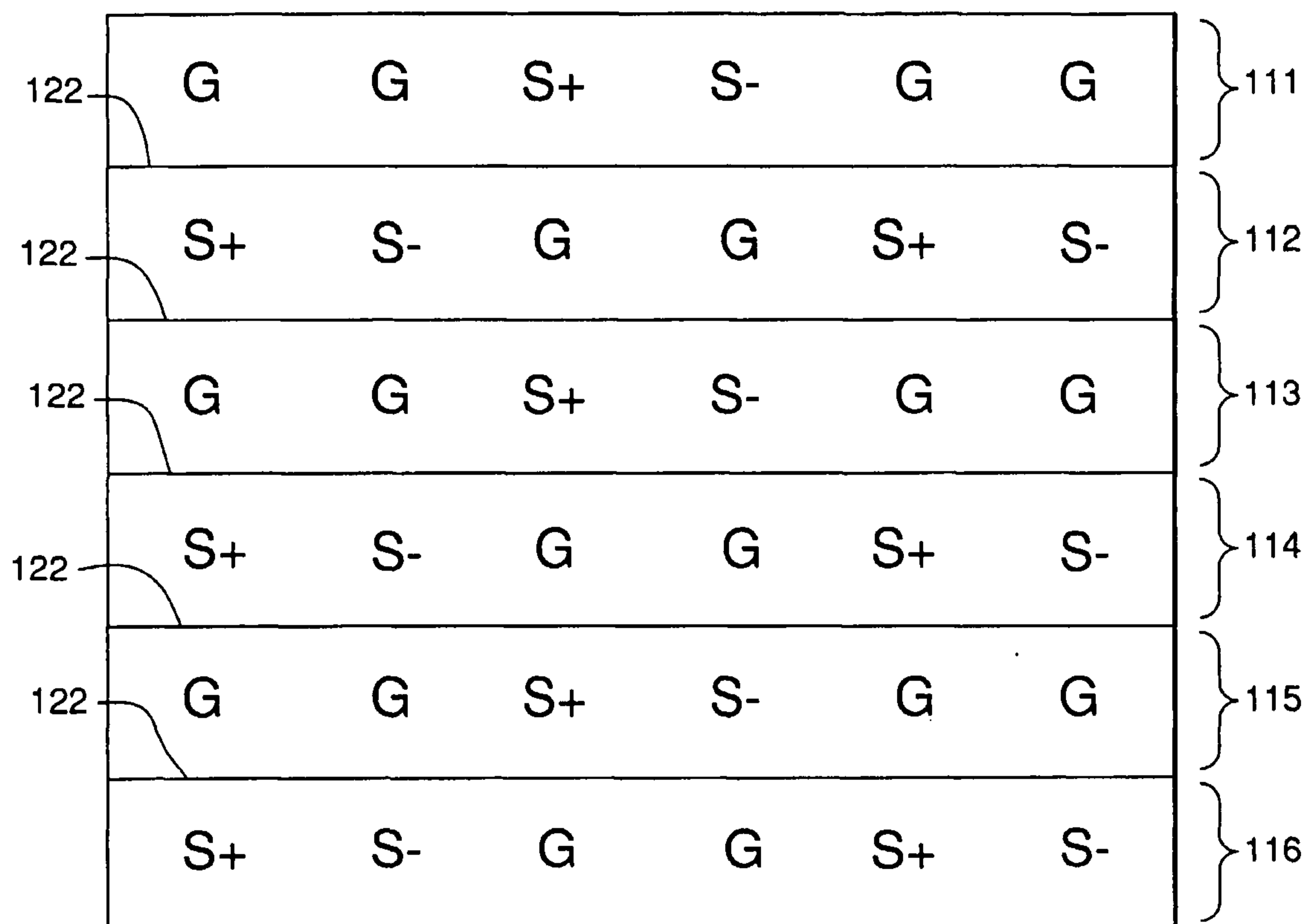


FIG. 1B
(PRIOR ART)

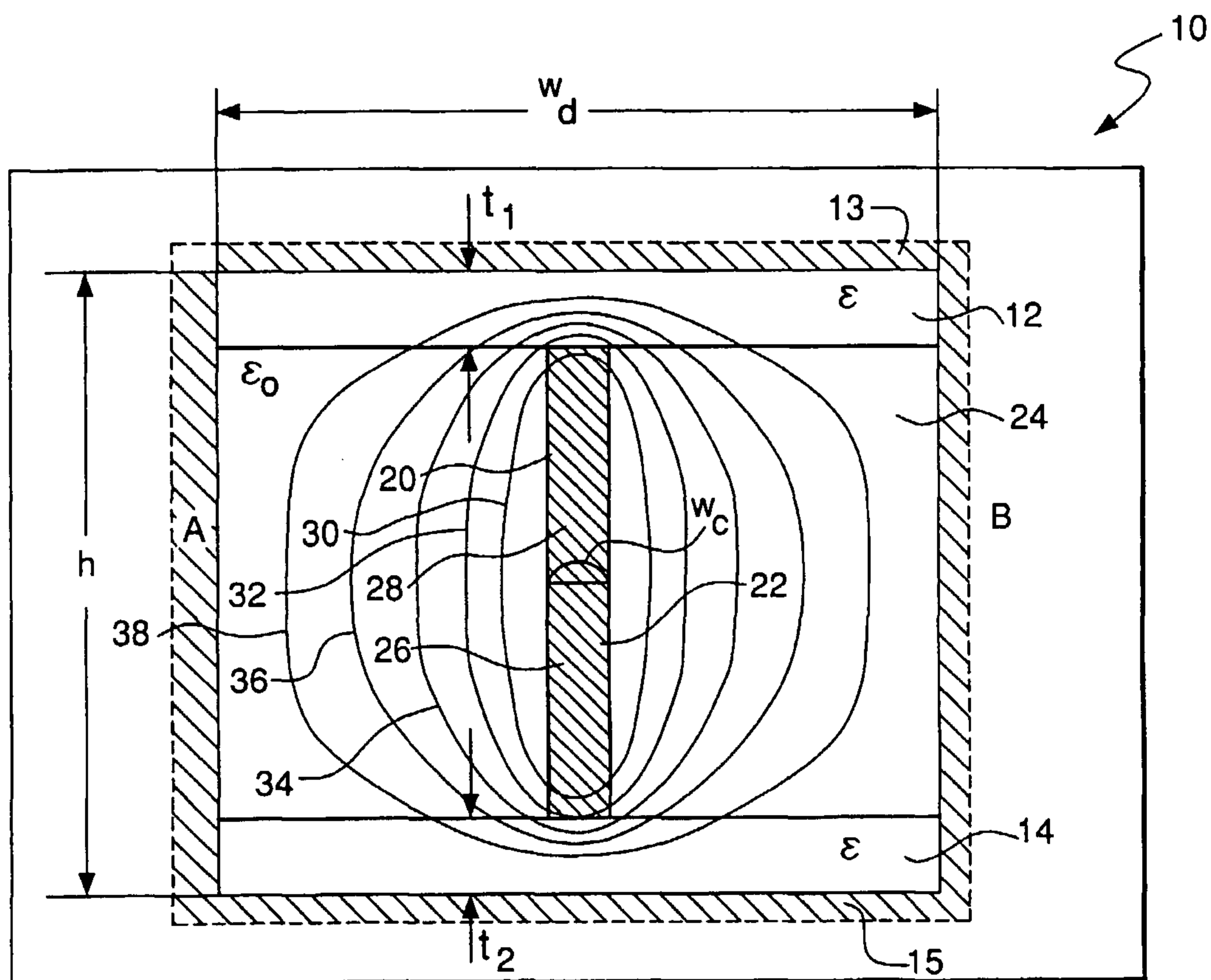


FIG. 2A

4/68

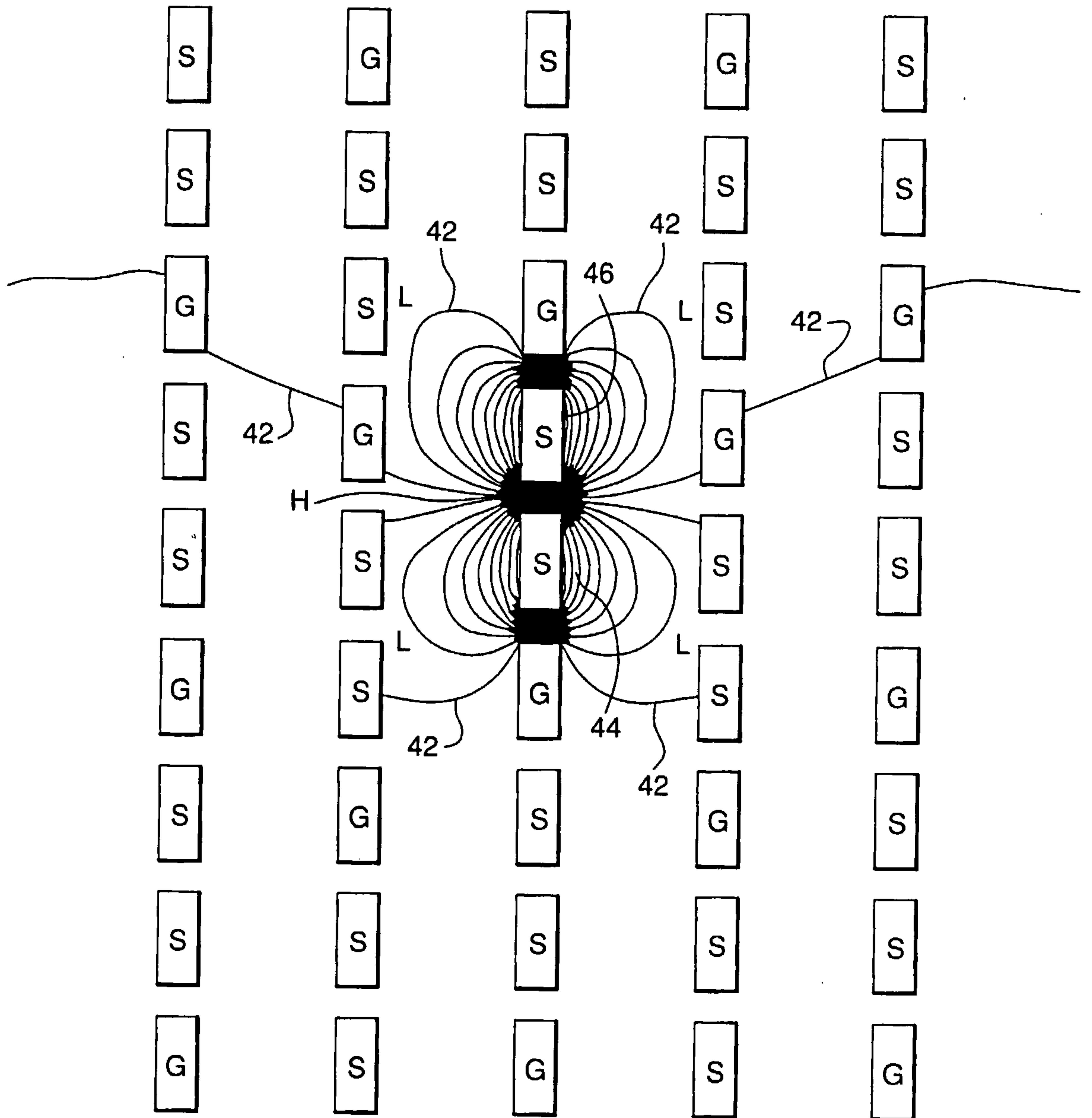


FIG. 2B

5/68

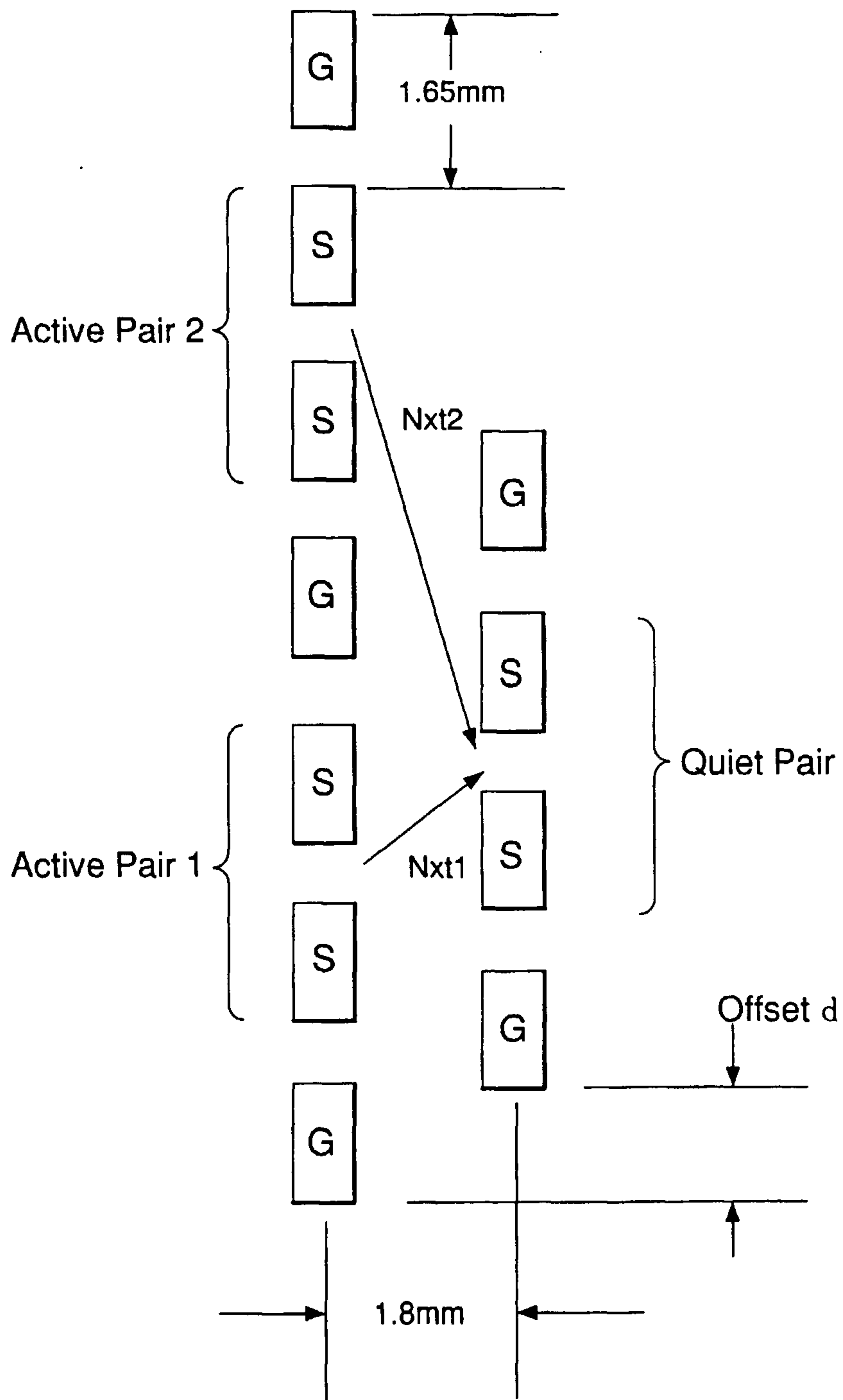


FIG. 3A

6/68

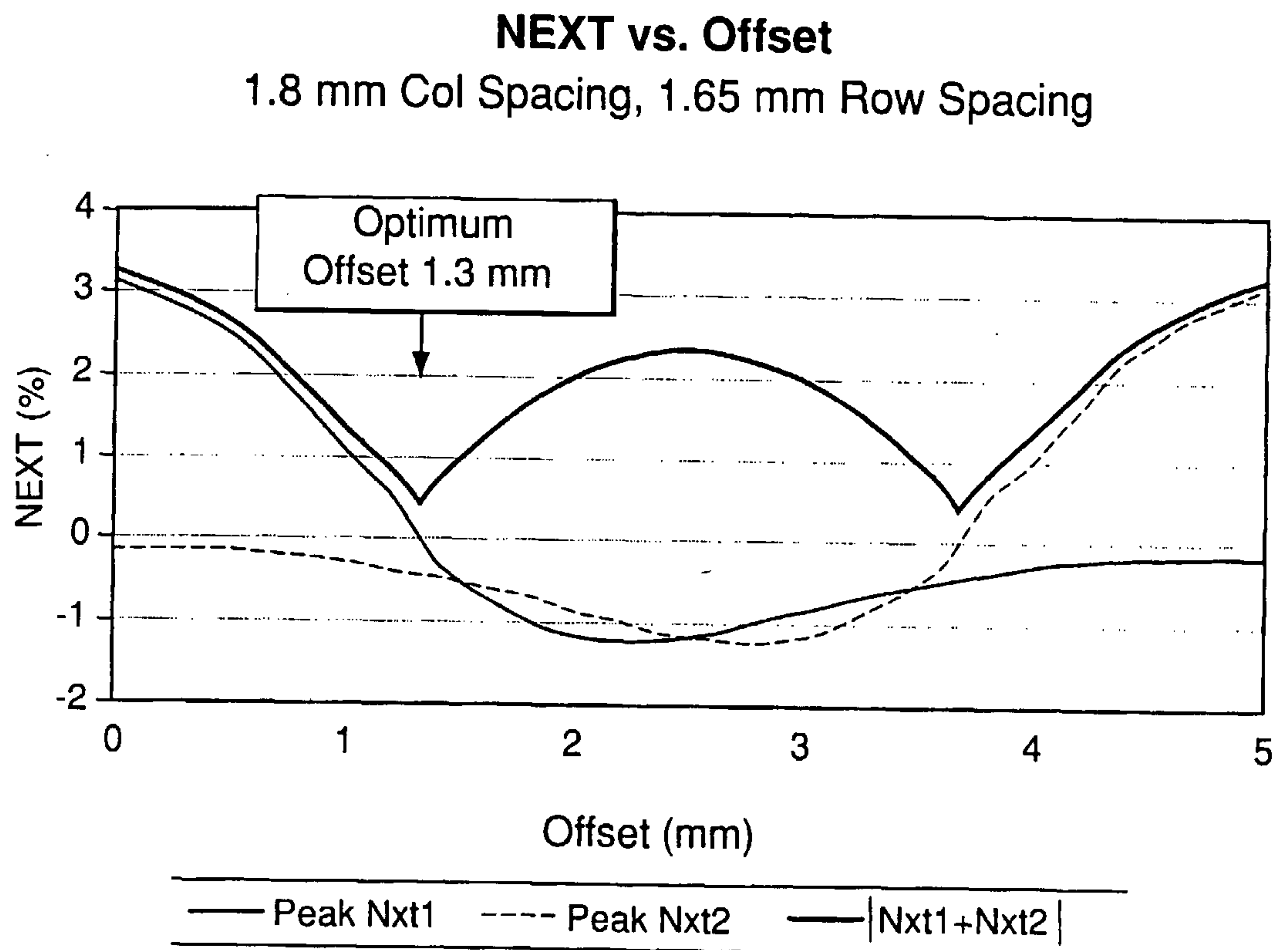


FIG. 3B

7/68

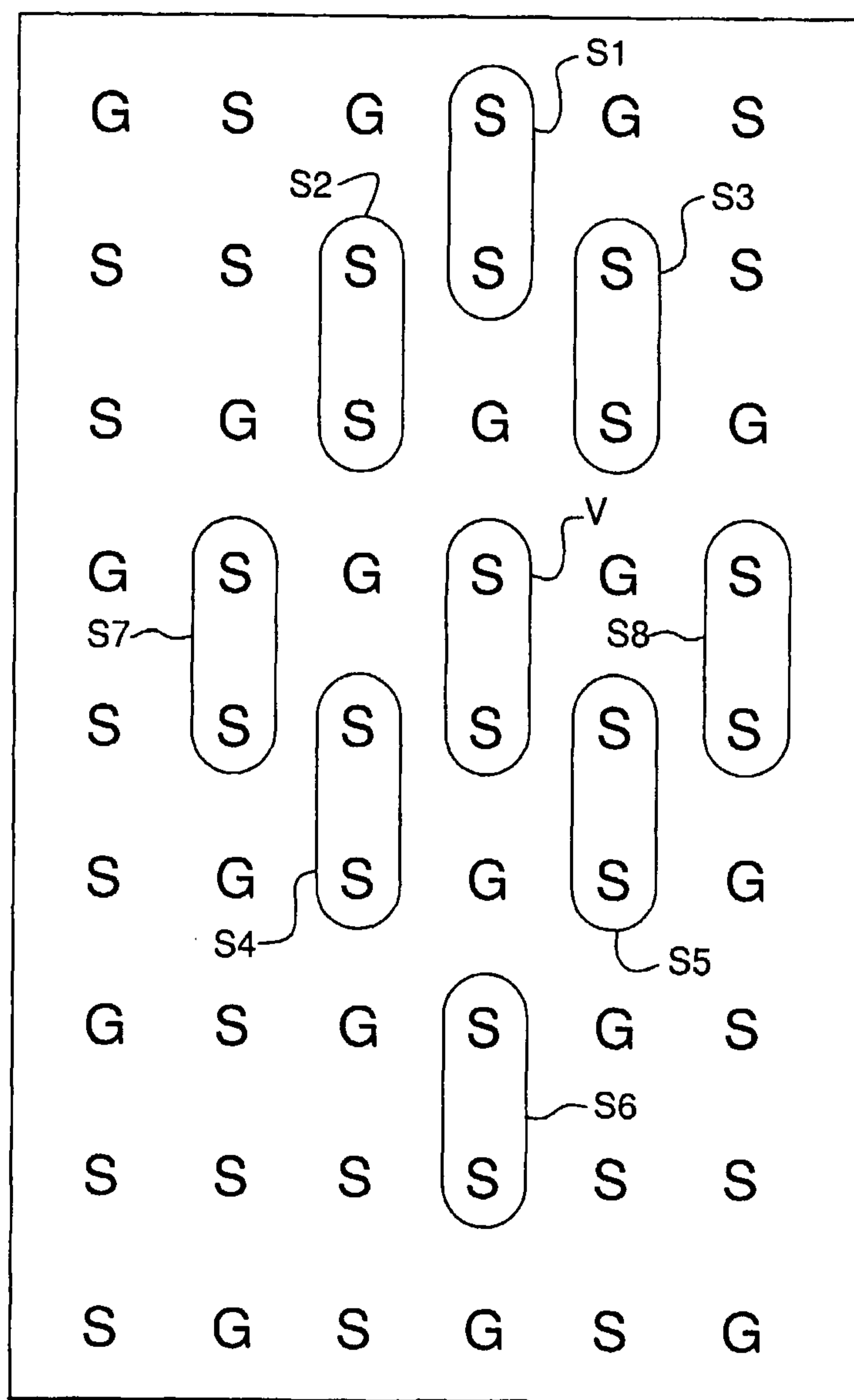


FIG. 3C

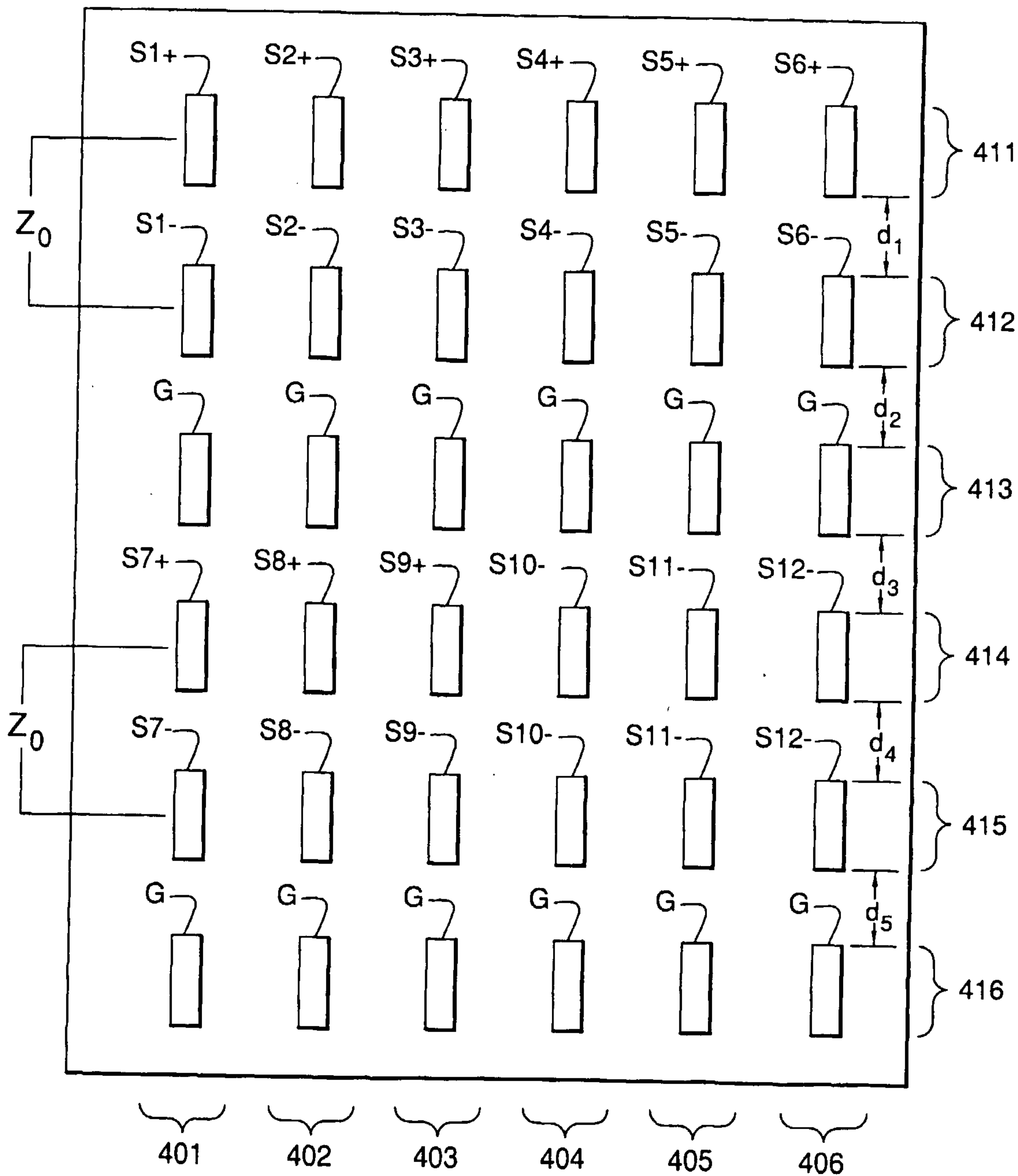


FIG. 4A

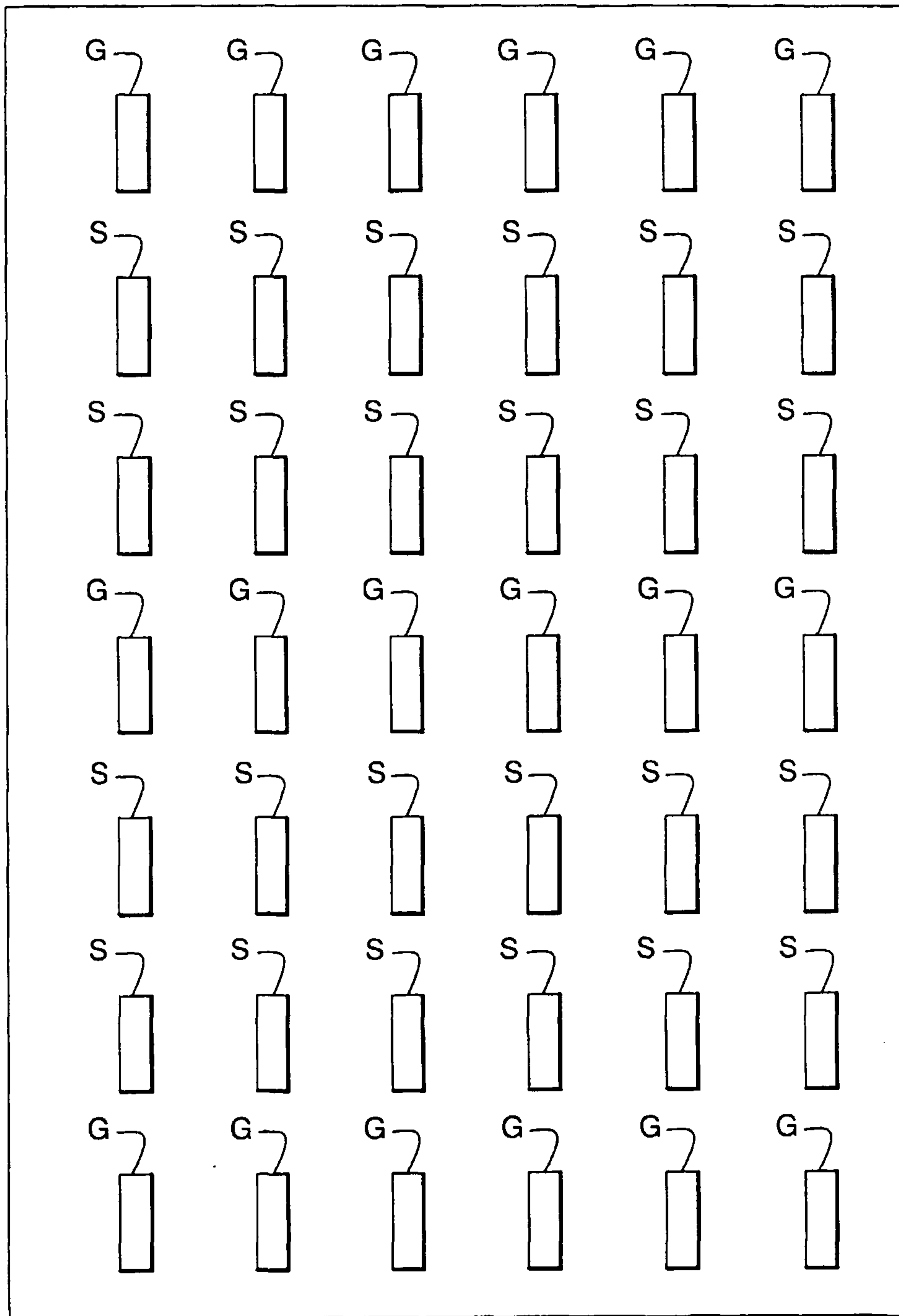


FIG. 4B

10/68

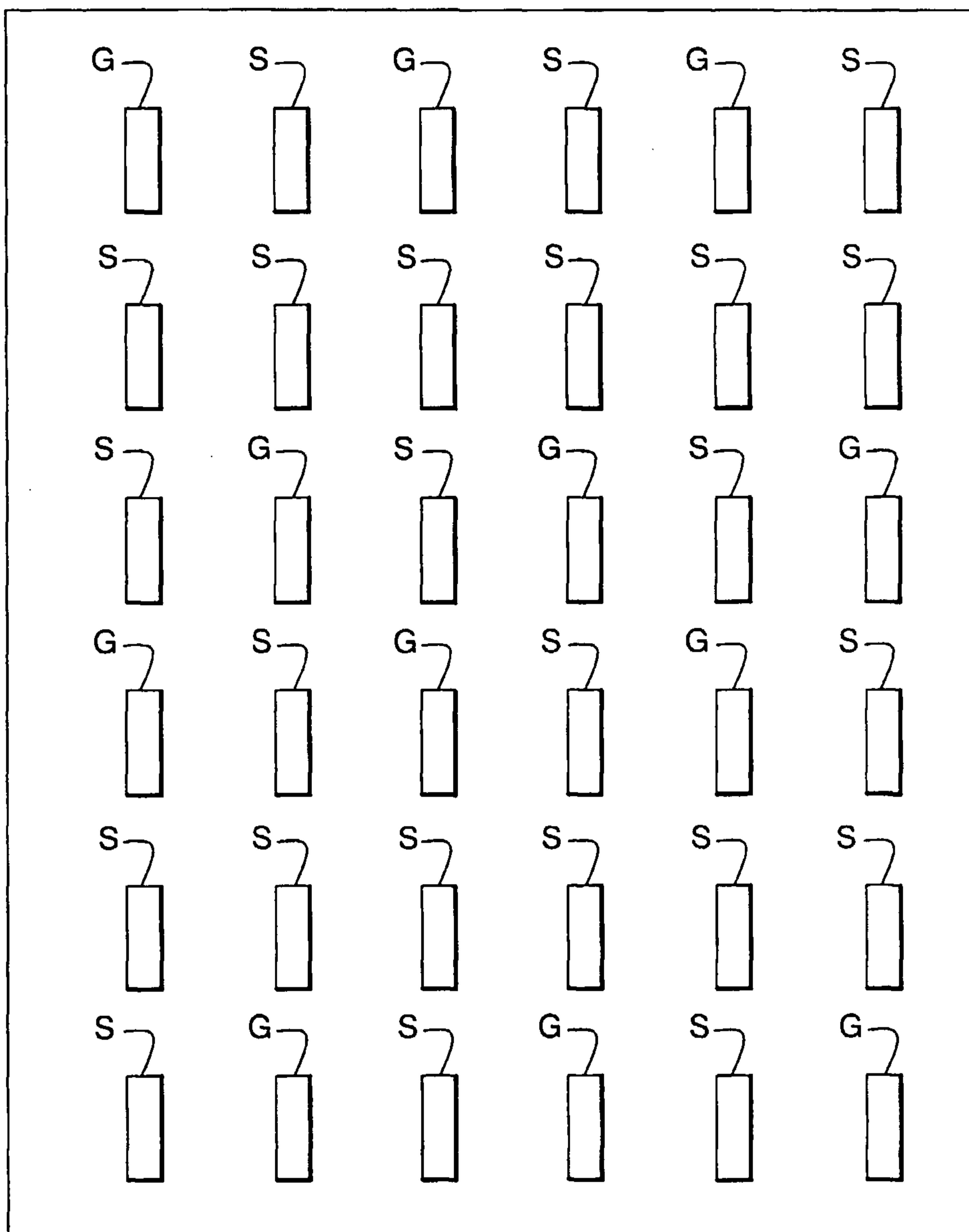


FIG. 4C

11/68

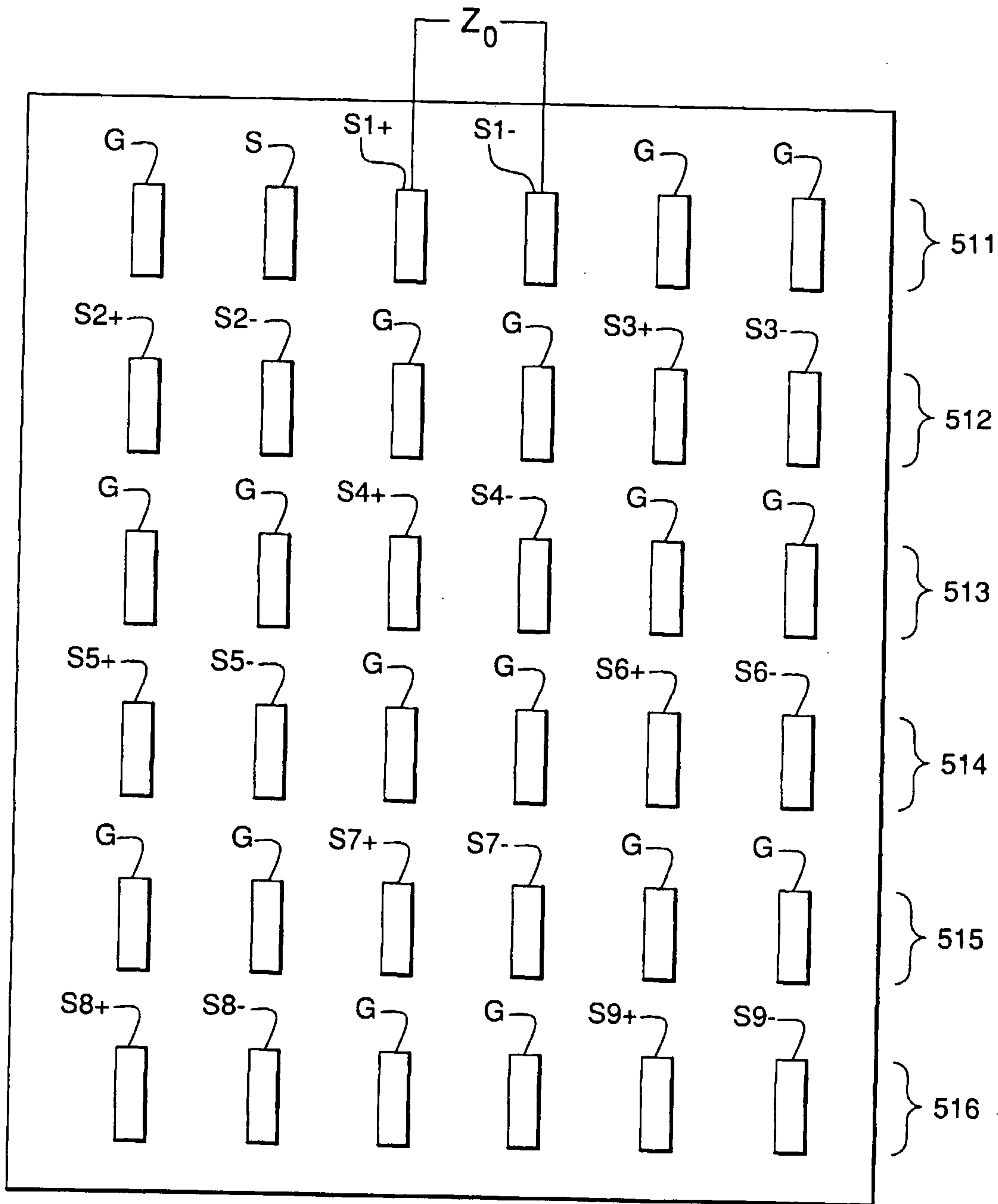


FIG. 5

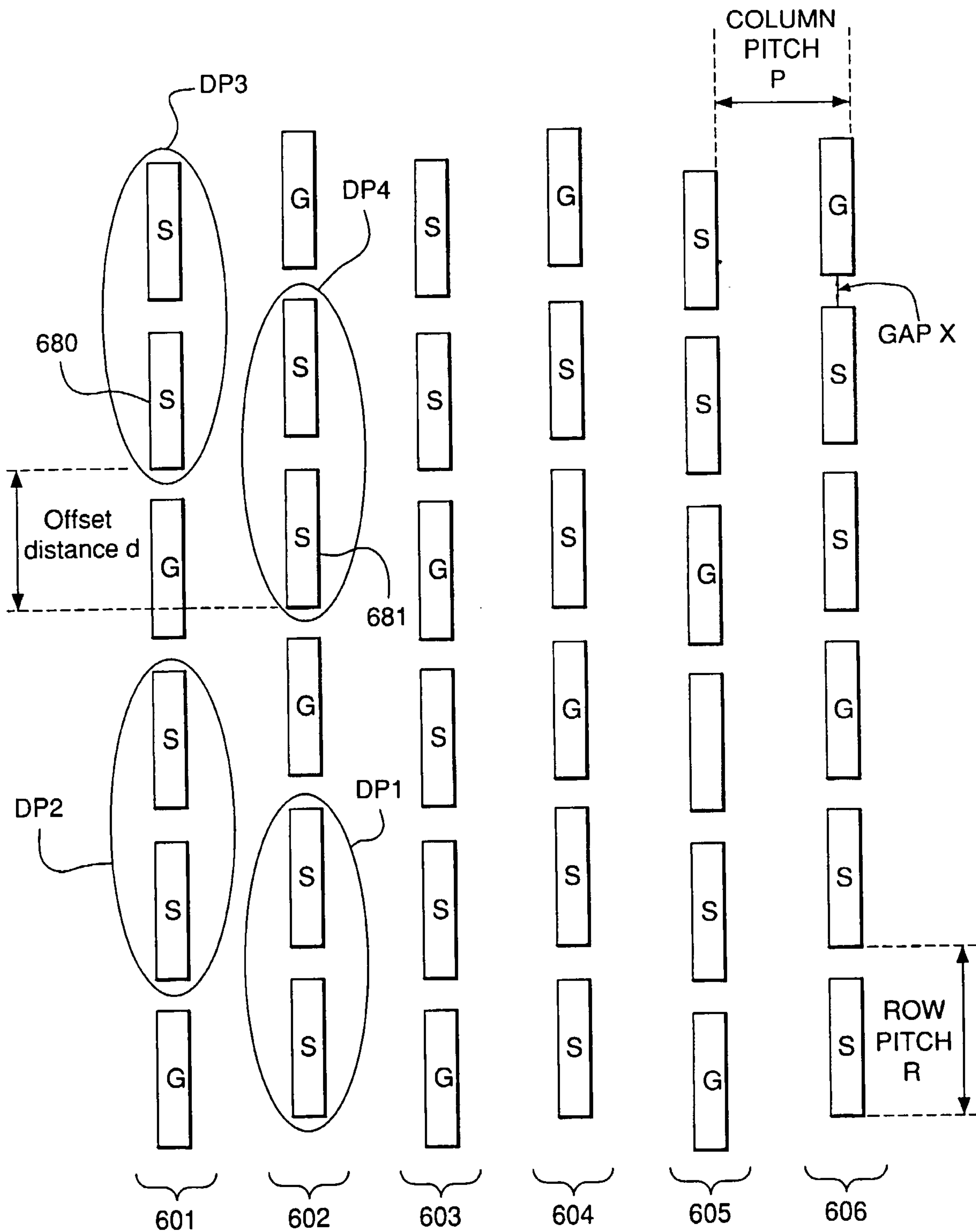


FIG. 6

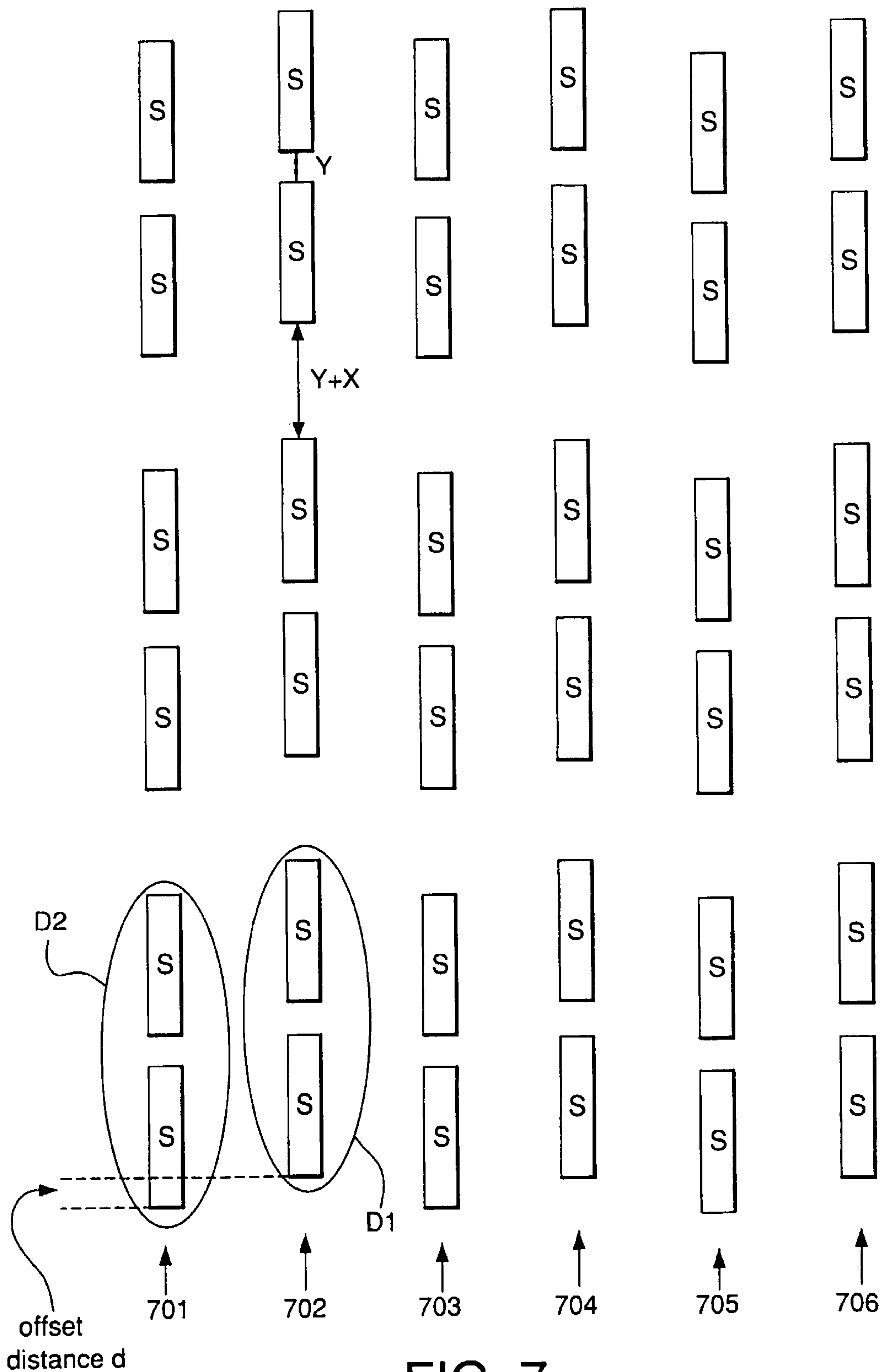


FIG. 7

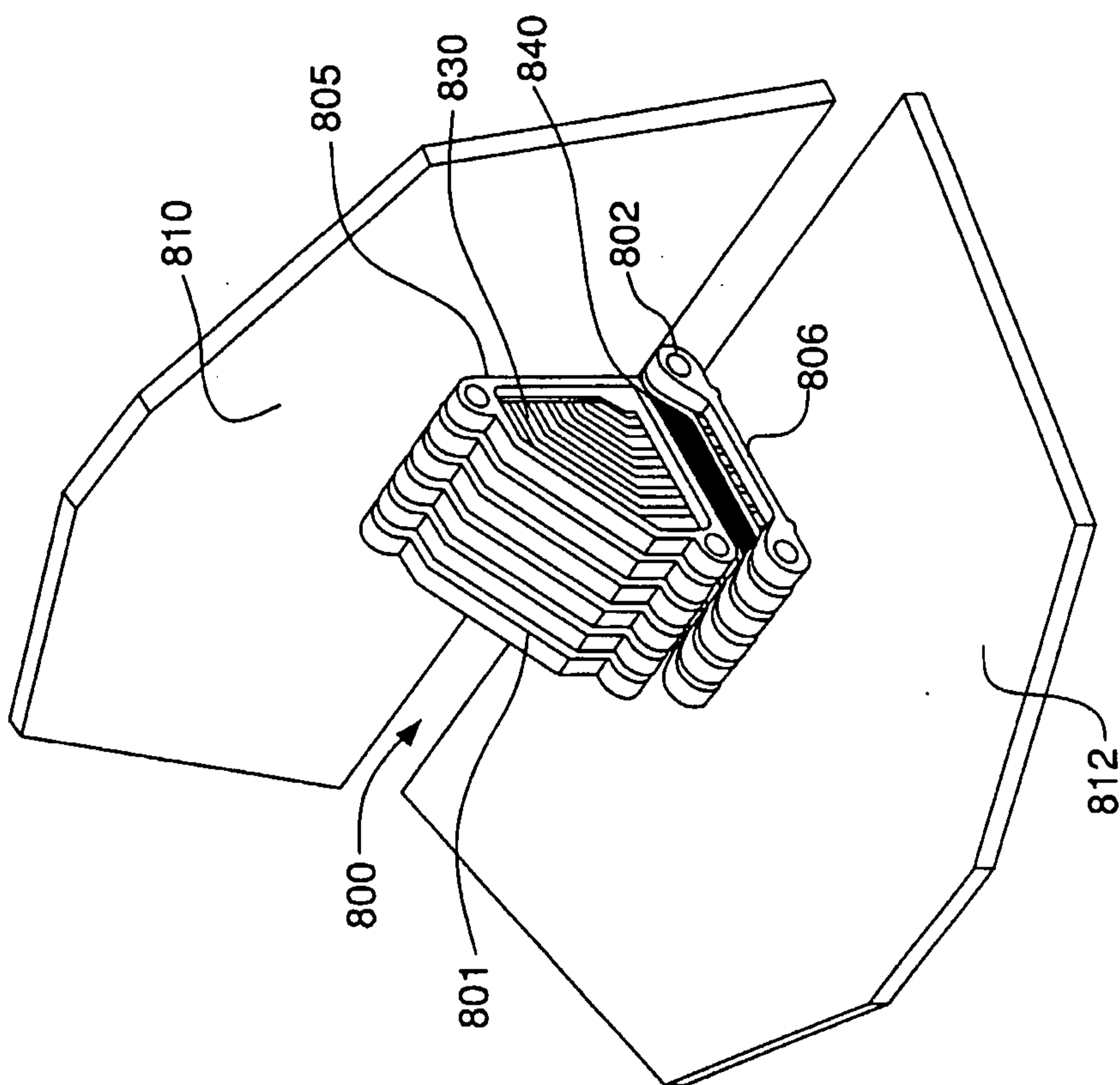


FIG. 8

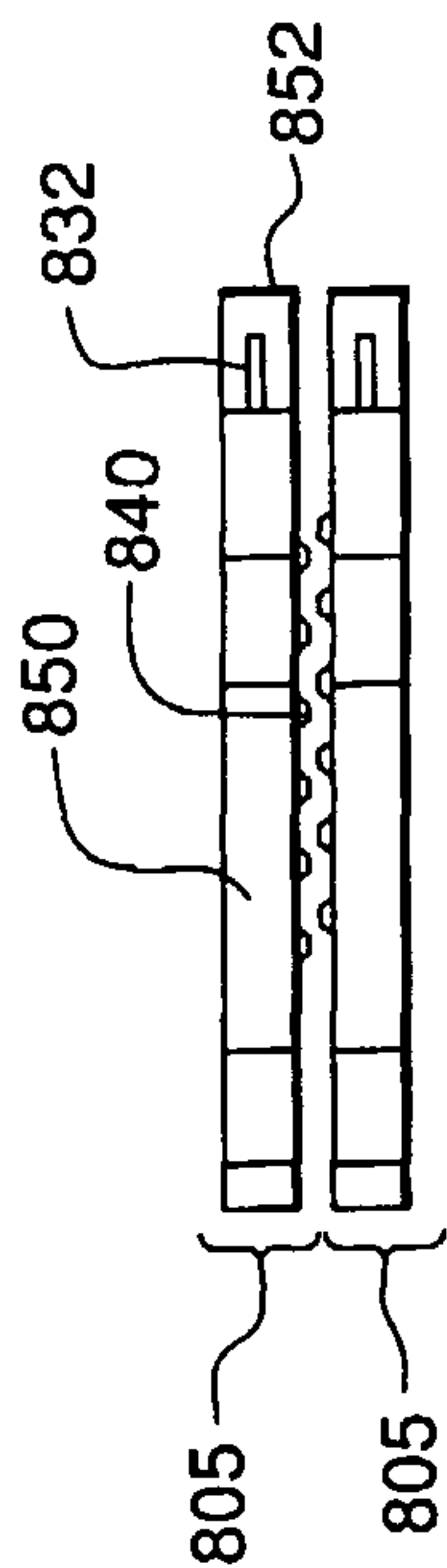


FIG. 11

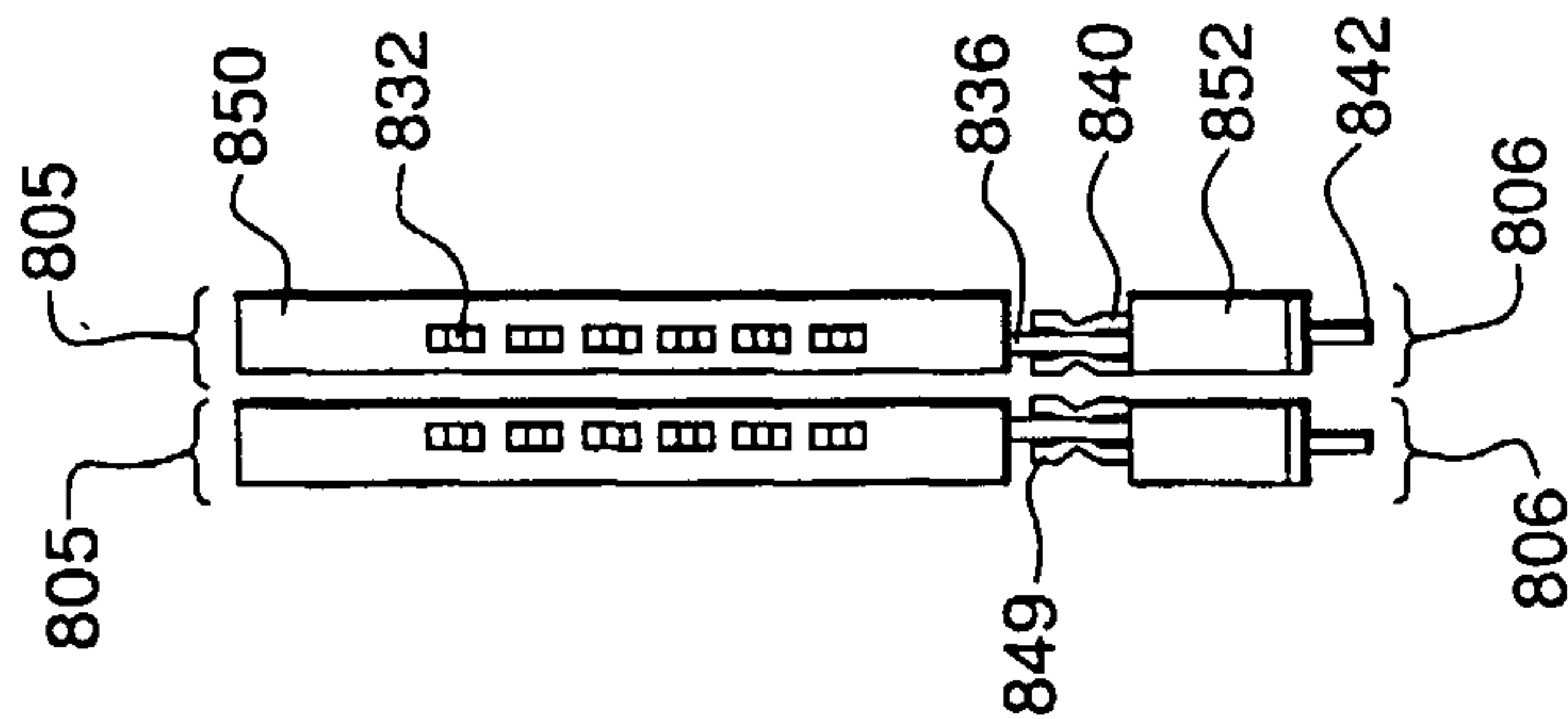


FIG. 10

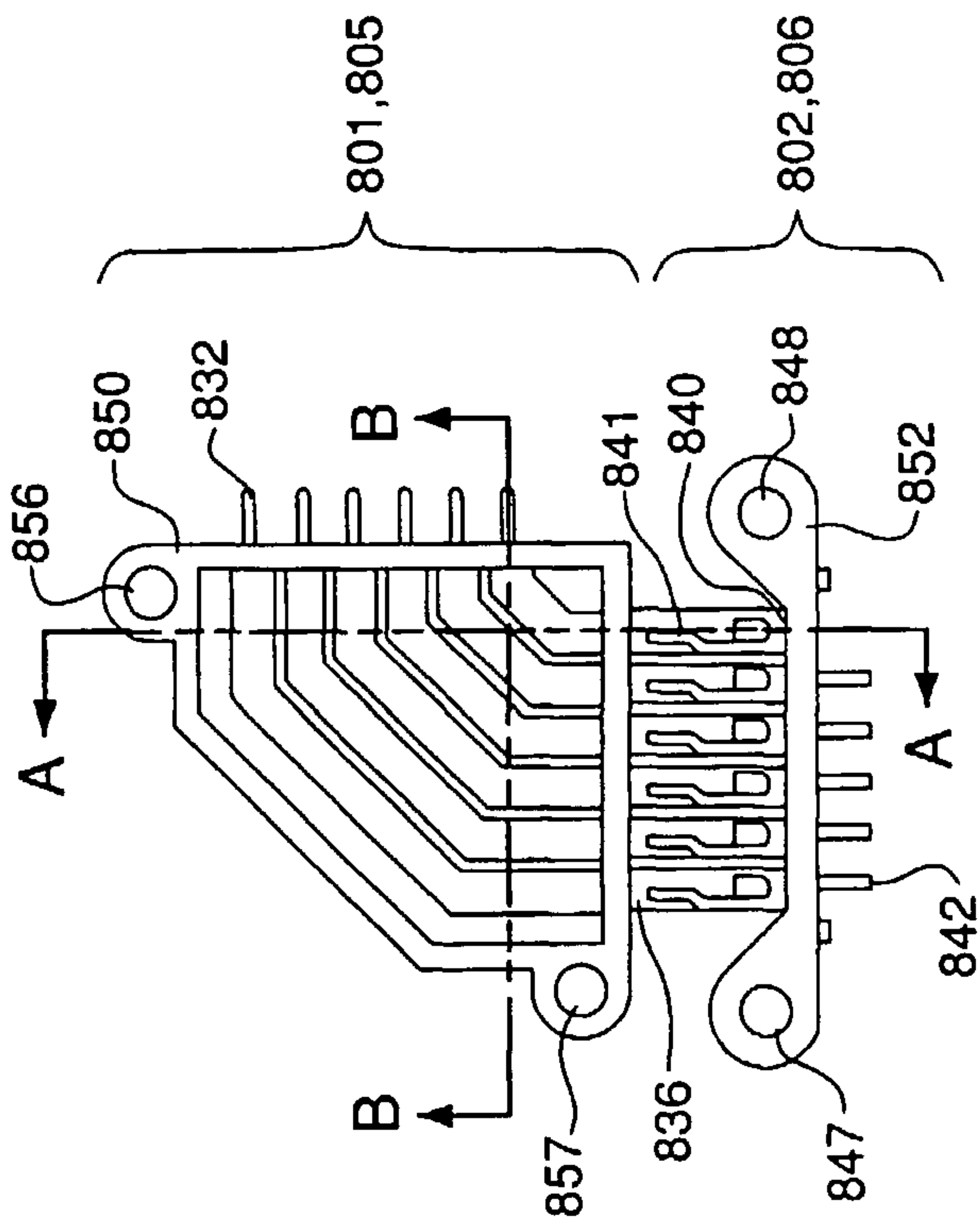


FIG. 9

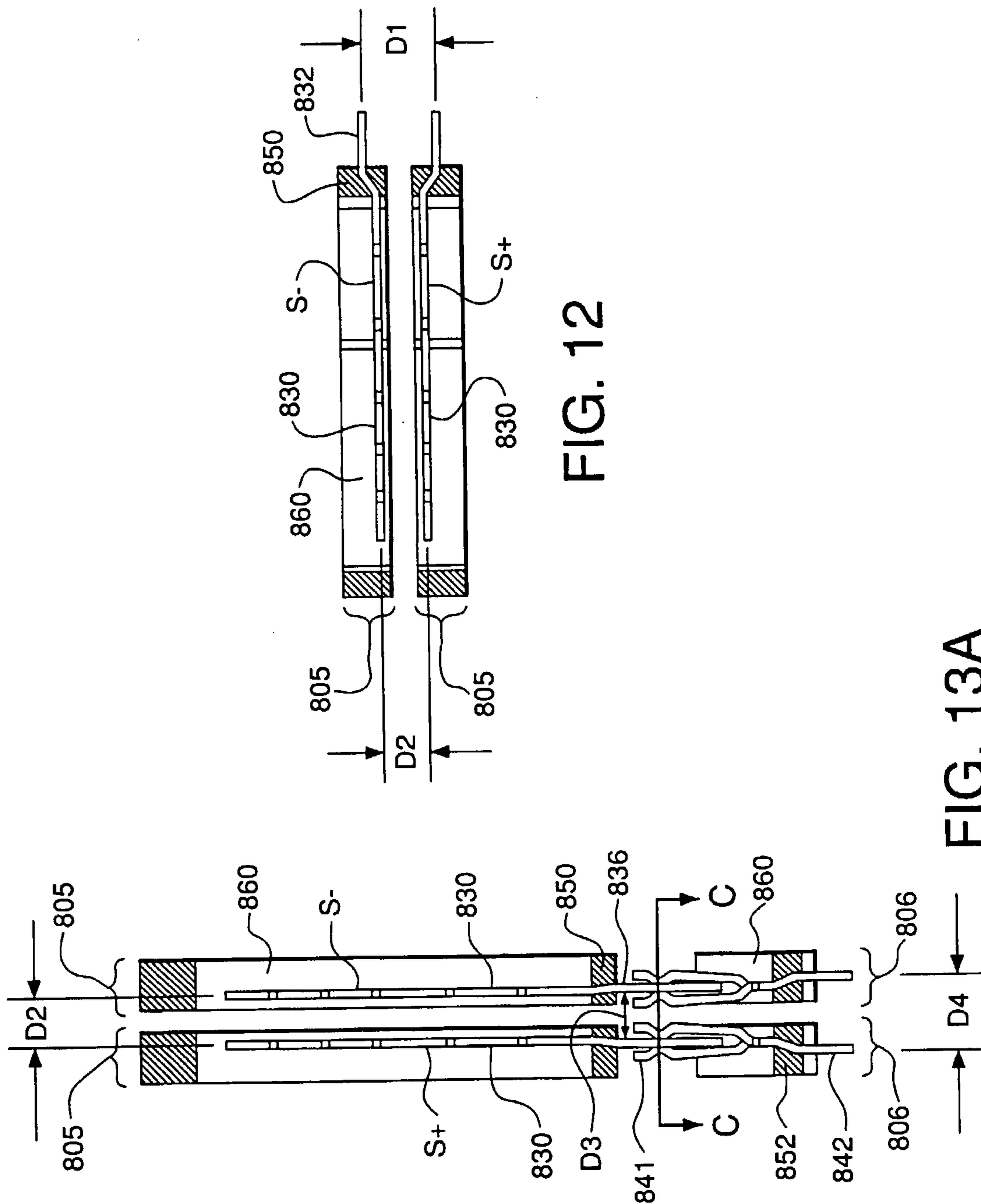


FIG. 12

FIG. 13A

17/68

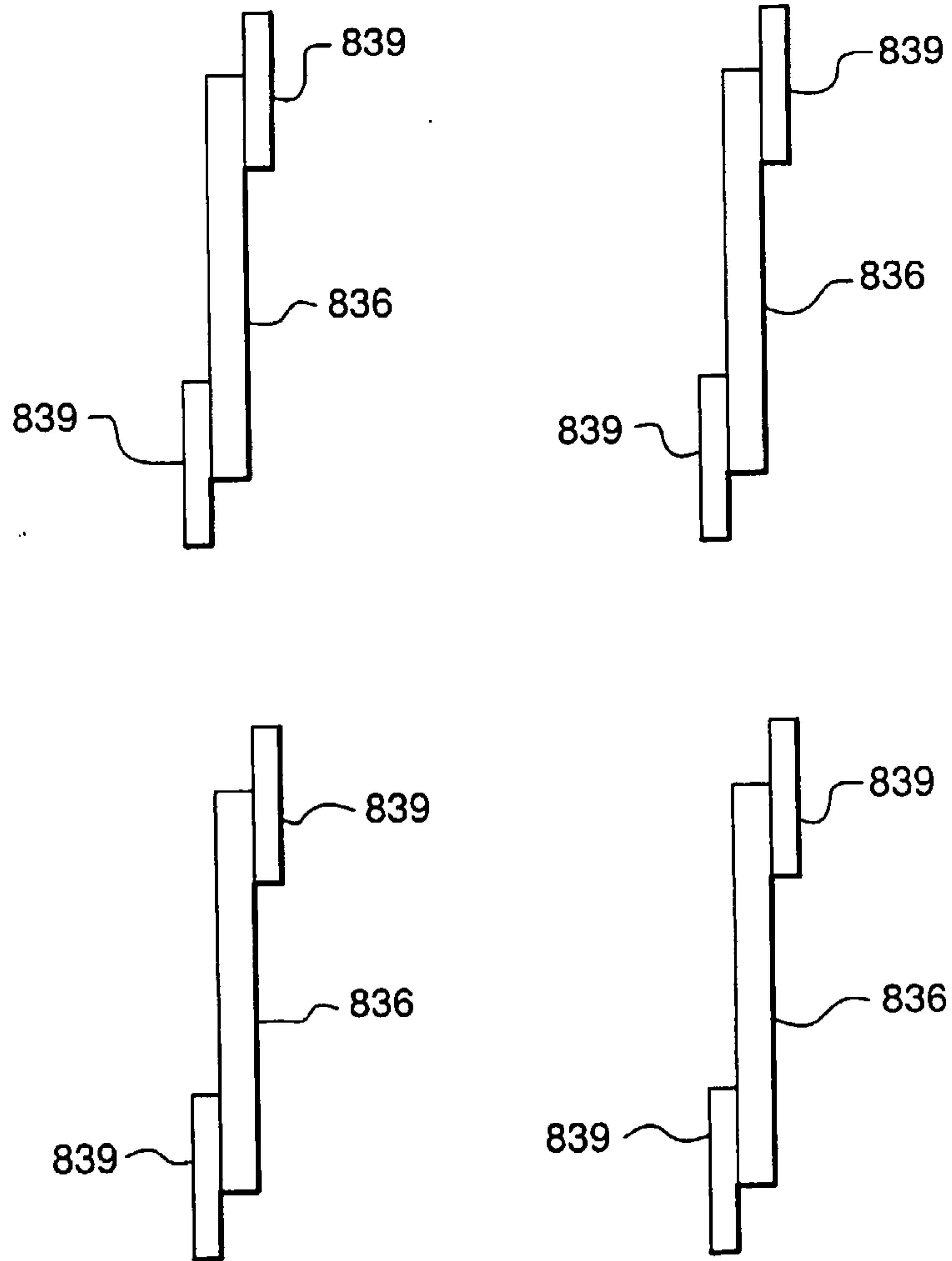


FIG. 13B

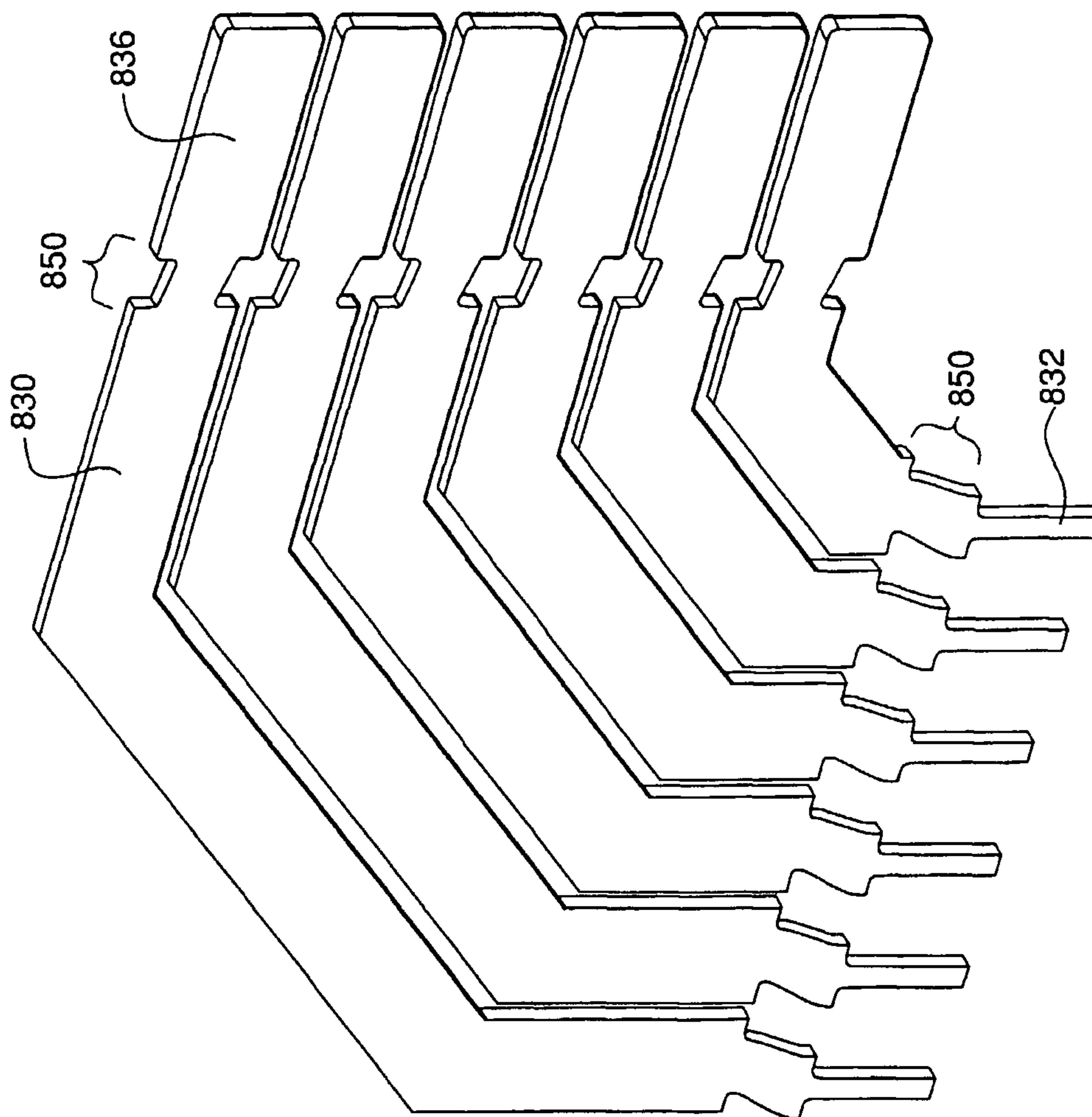


FIG. 14

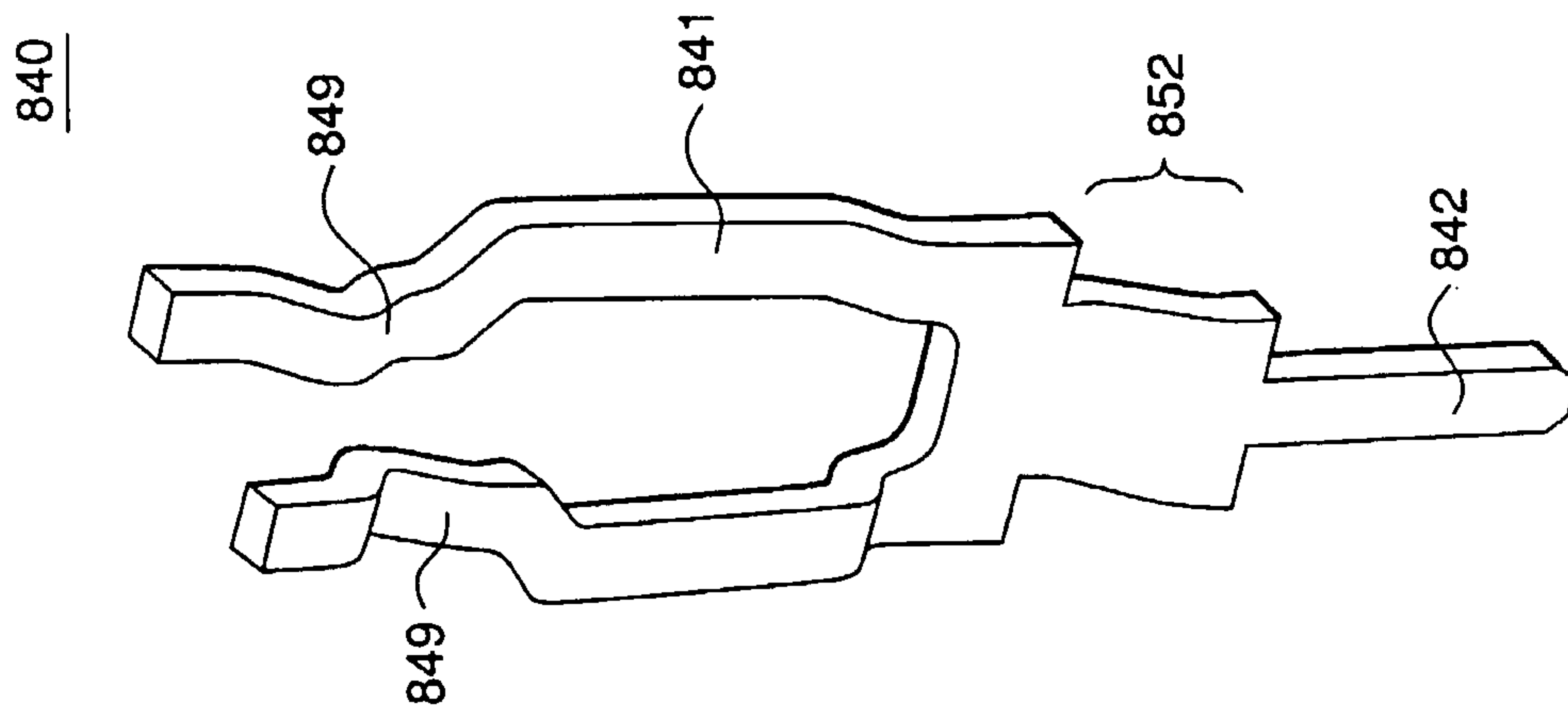


FIG. 15

20/68

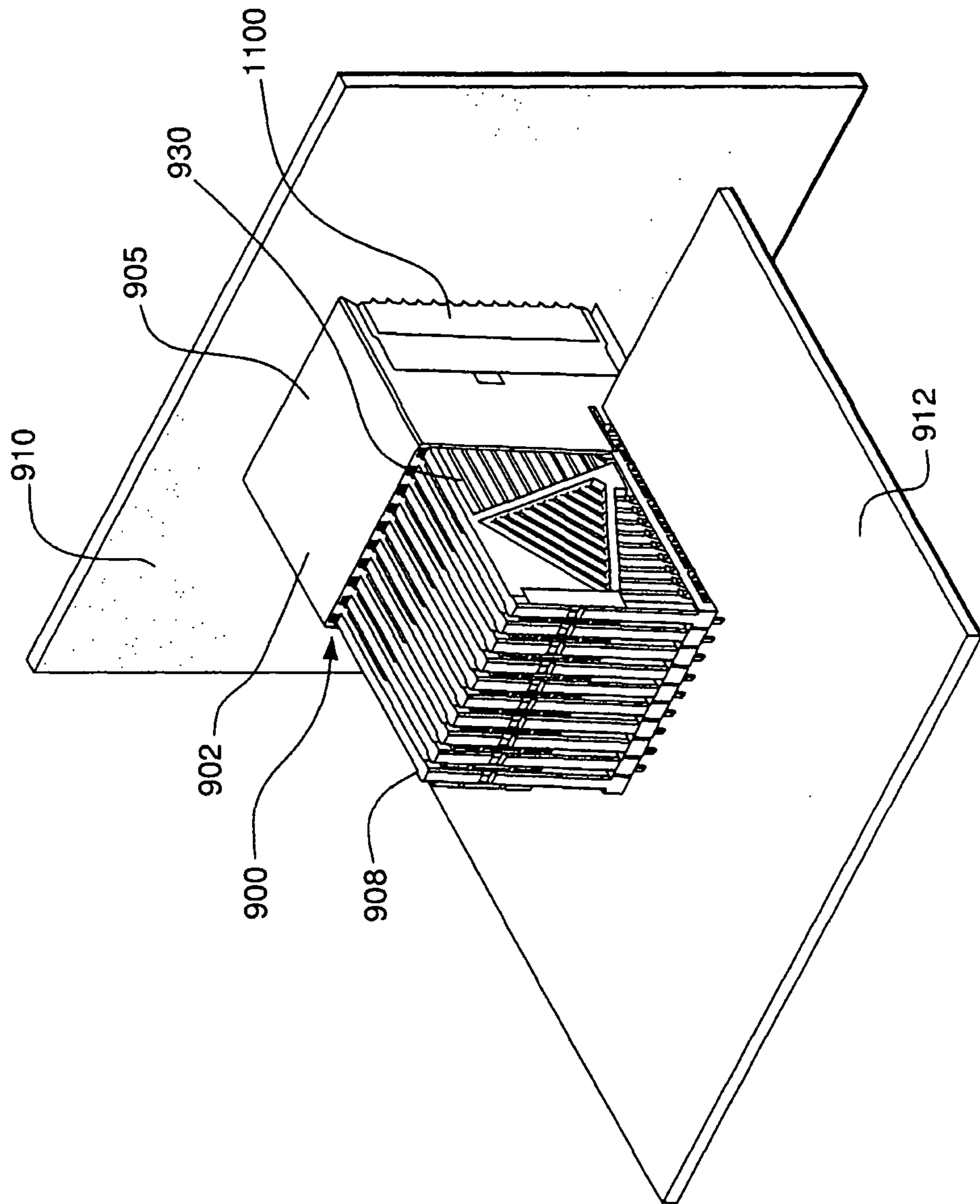


FIG. 16A

21/68

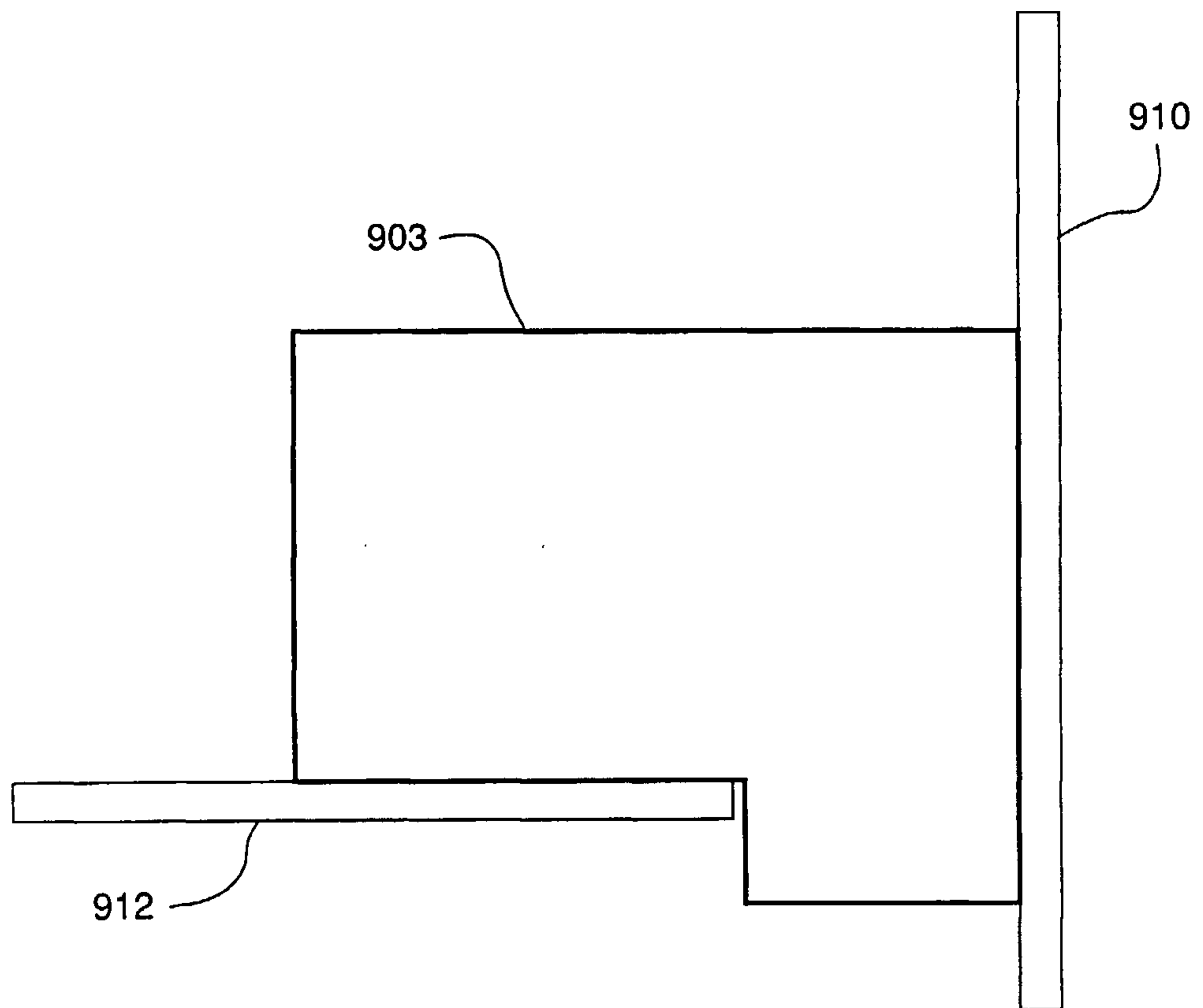


FIG. 16B

22/68

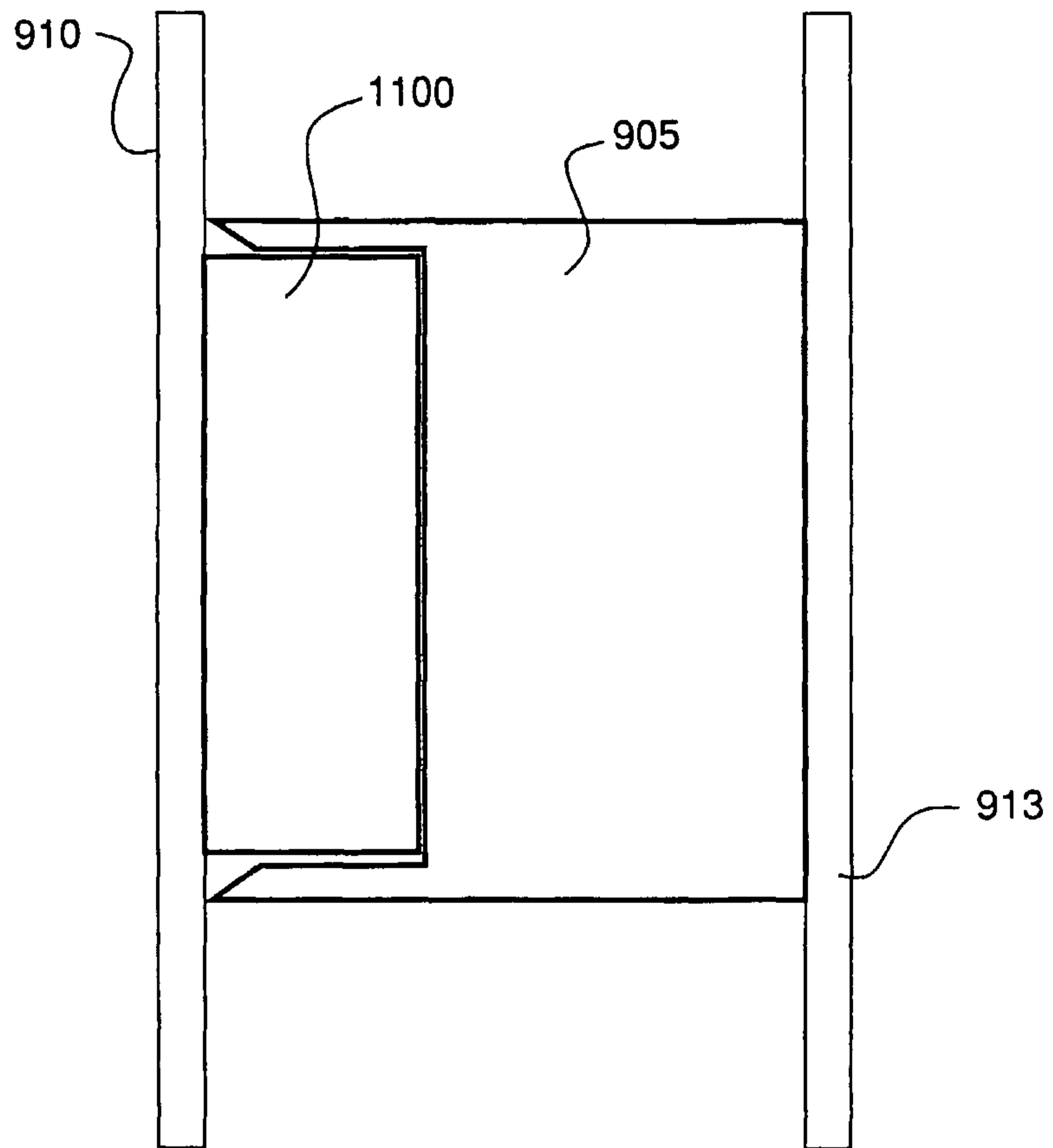


FIG. 16C

23/68

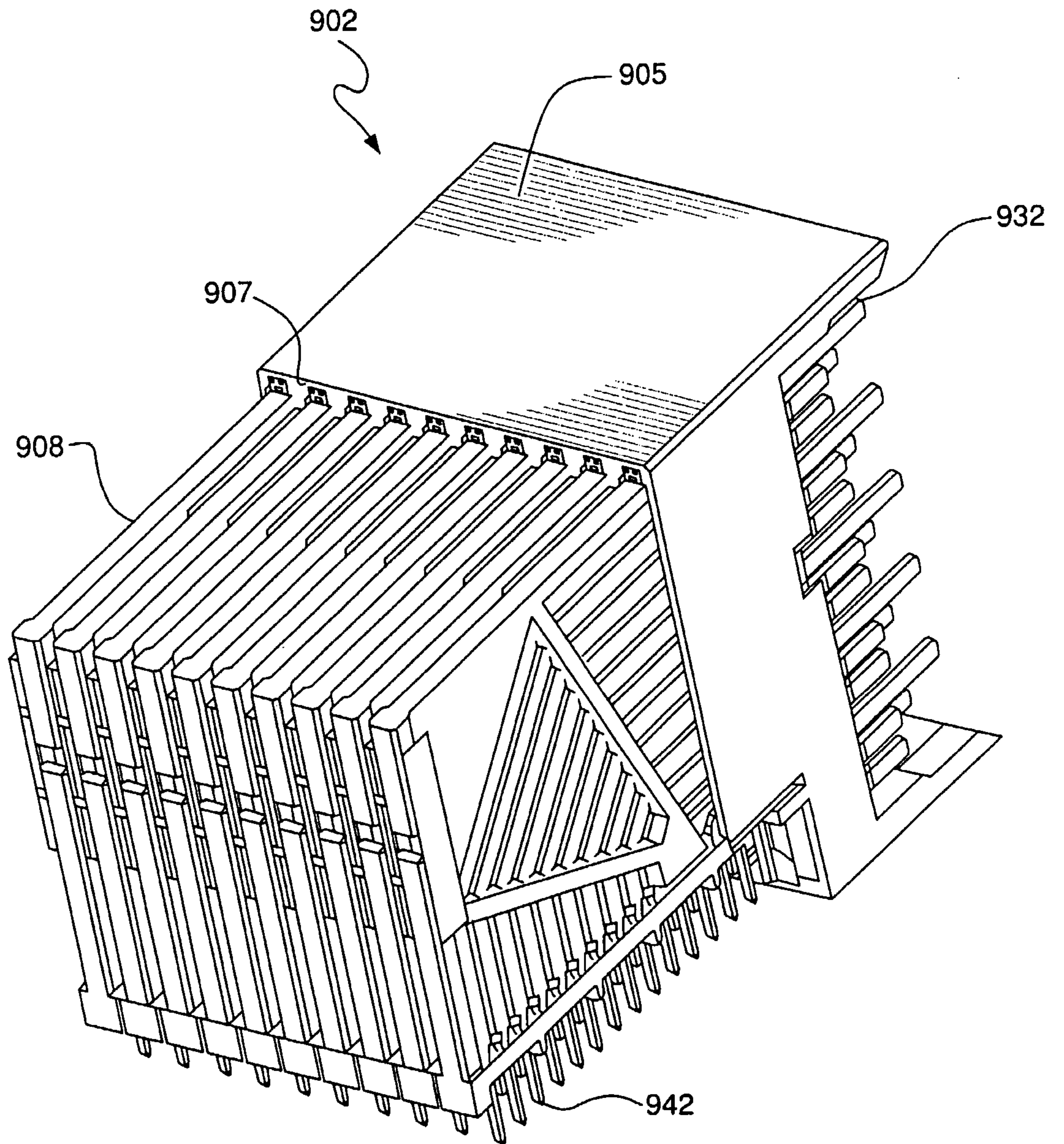


FIG. 17

24/68

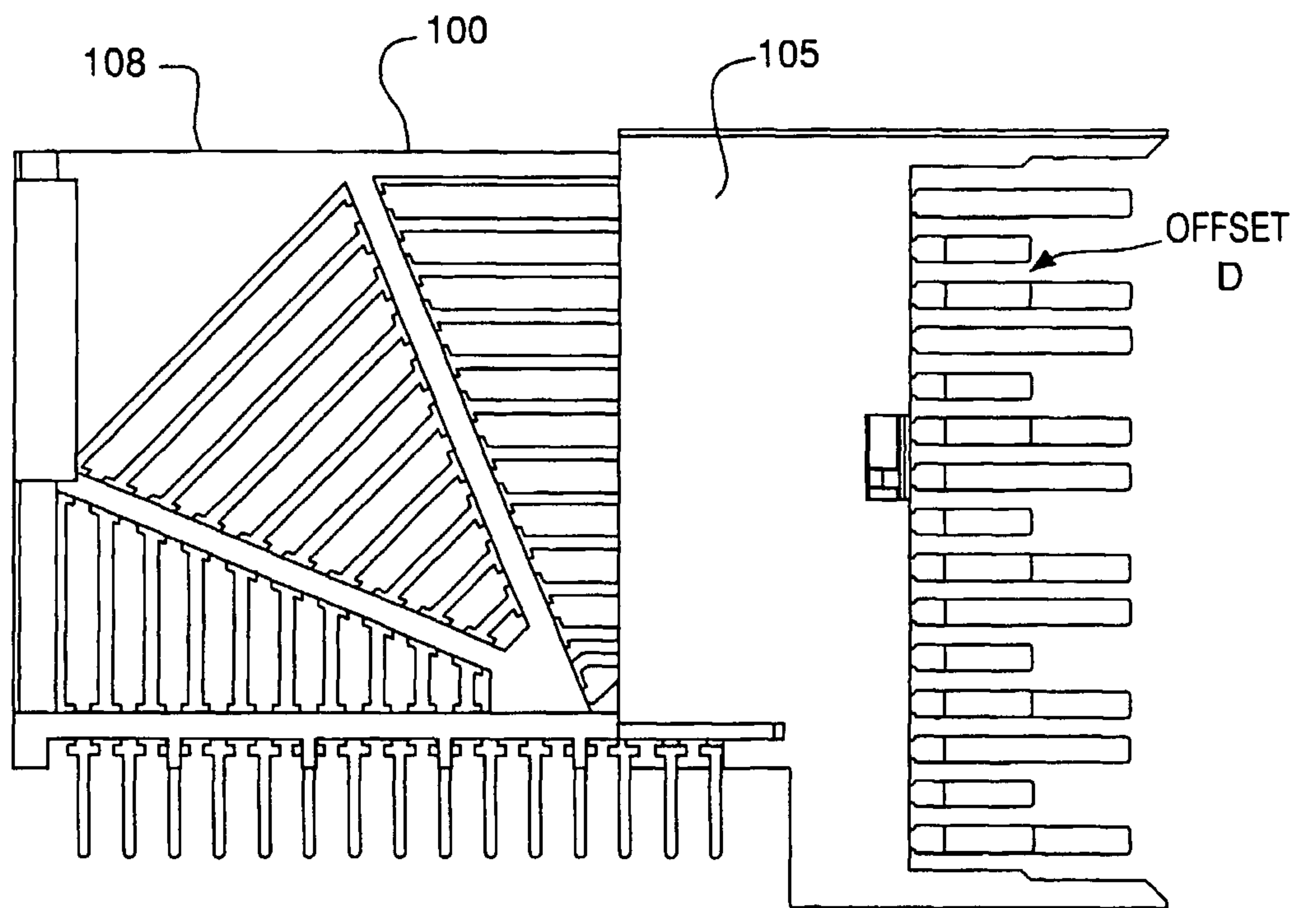


FIG. 18

25/68

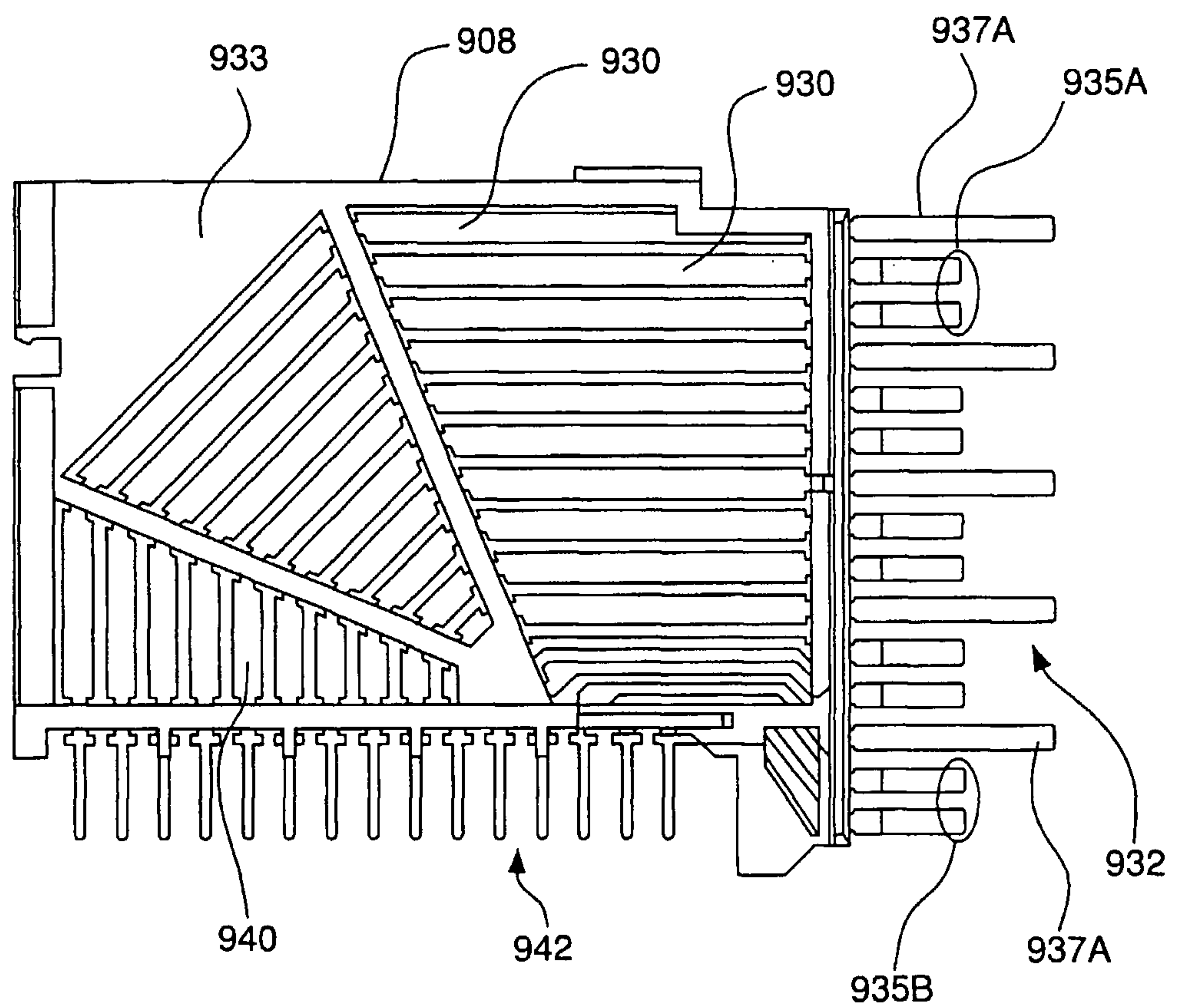


FIG. 19A

26/68

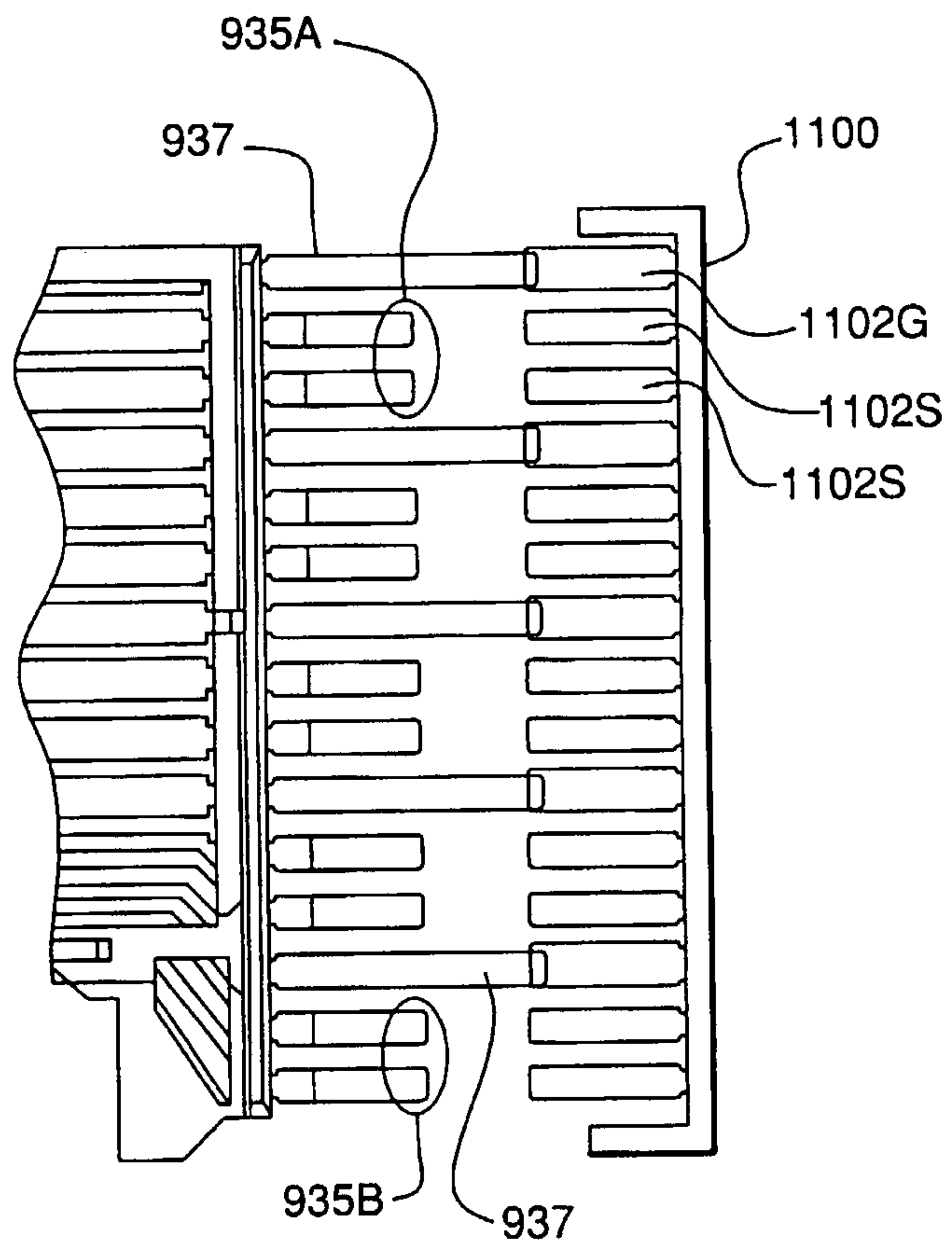


FIG. 19B

27/68

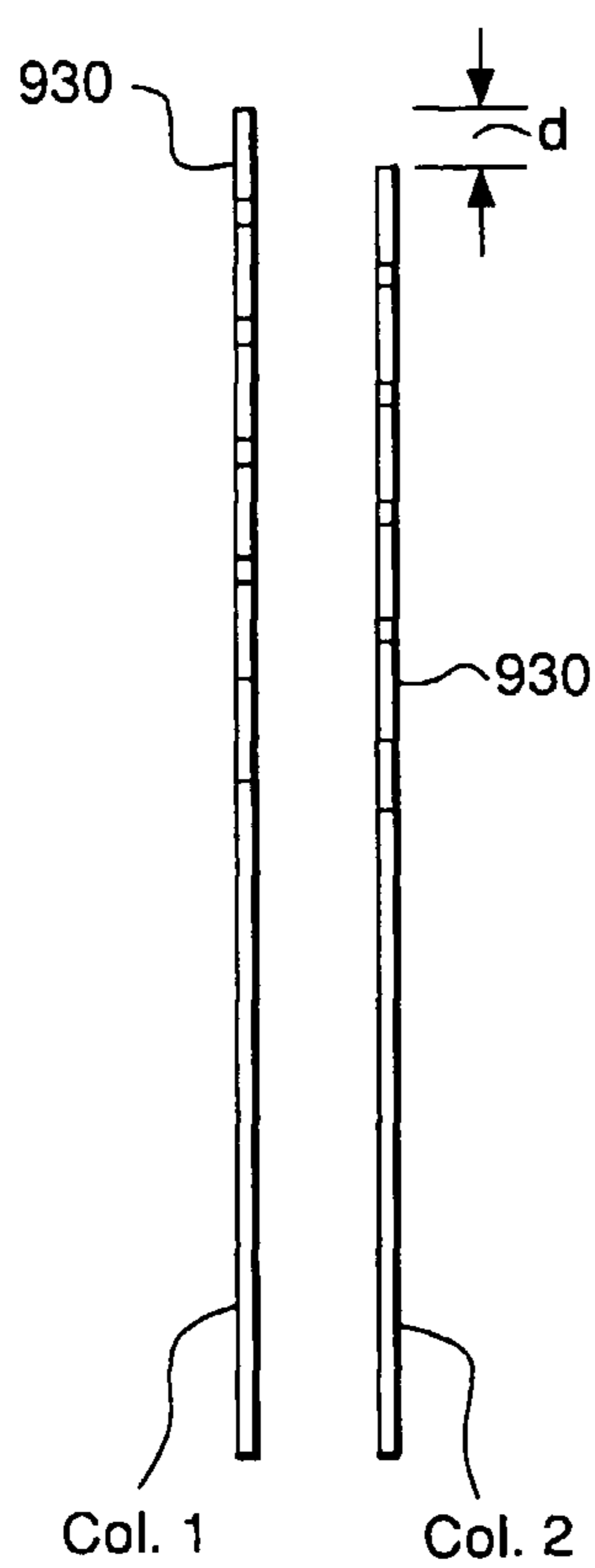


FIG. 20

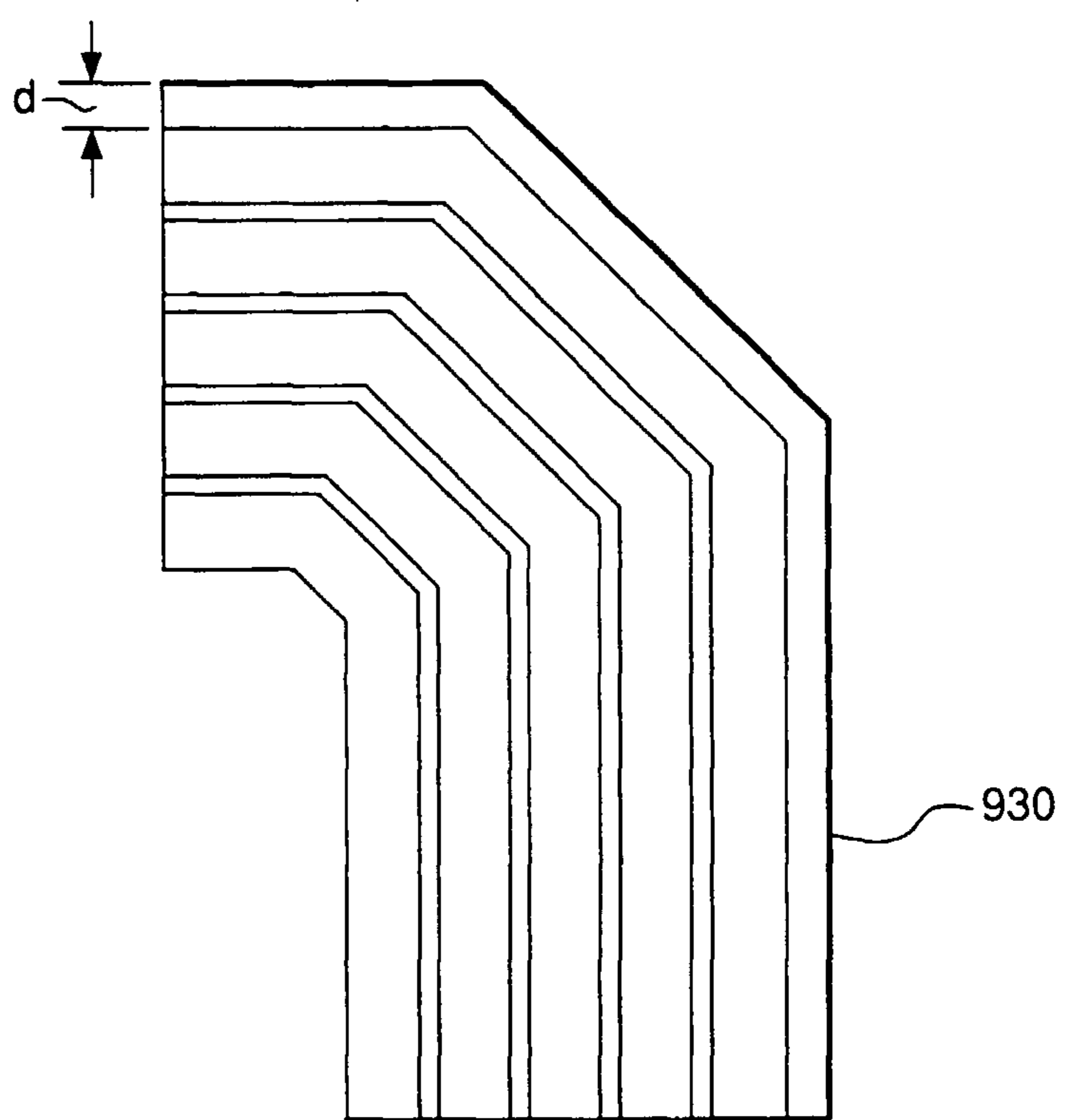


FIG. 21

28/68

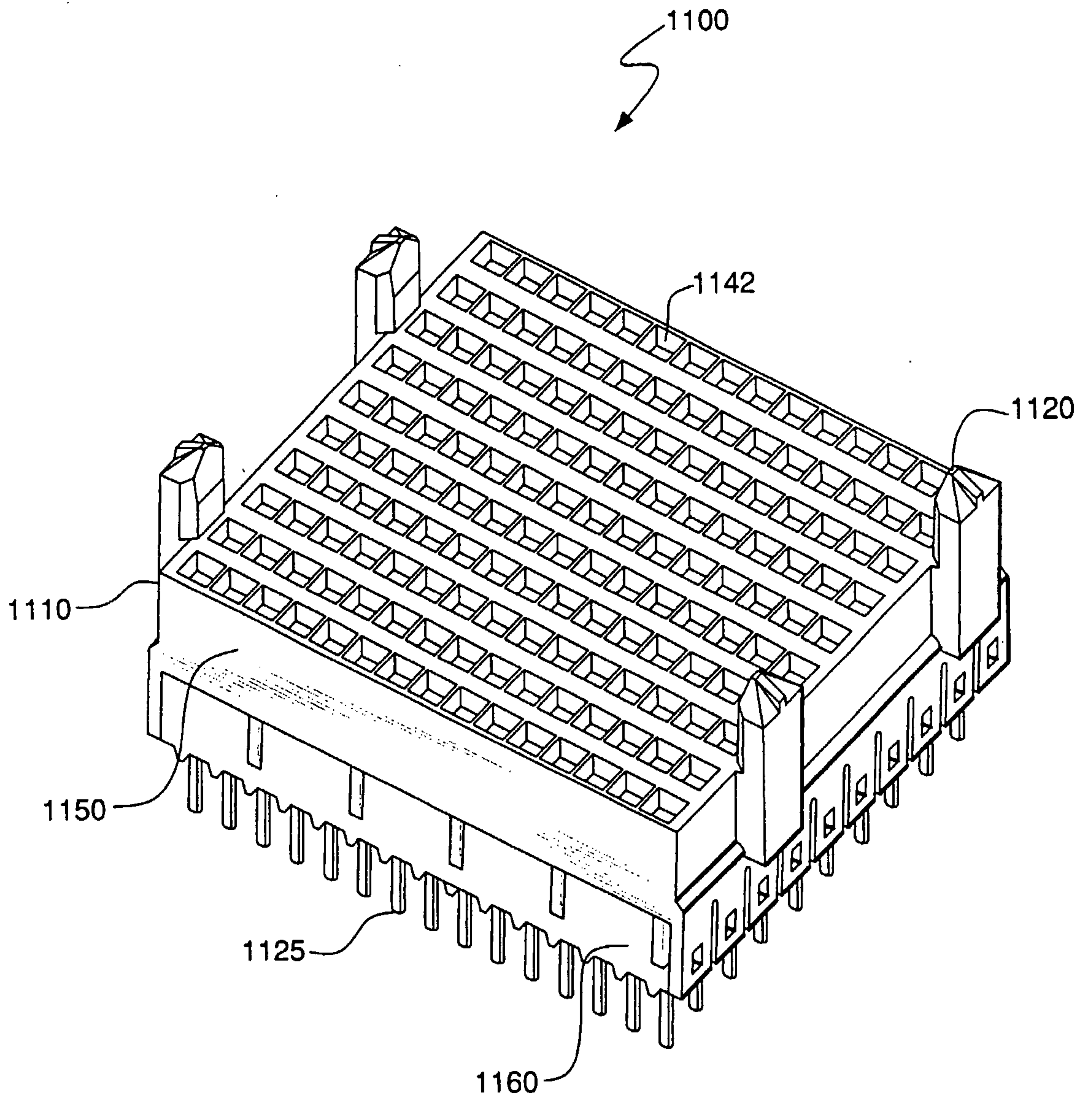


FIG. 22

29/68

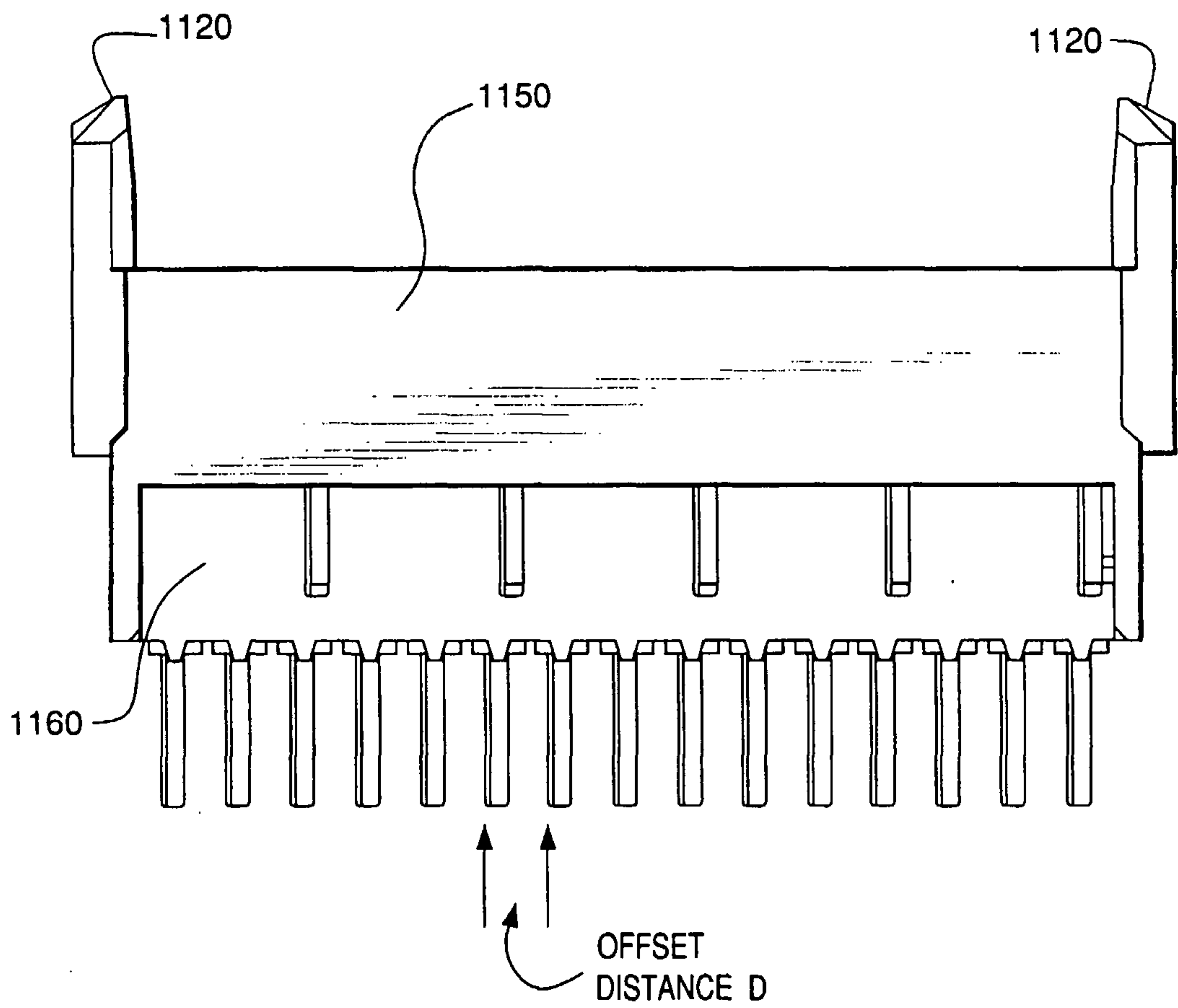


FIG. 23

30/68

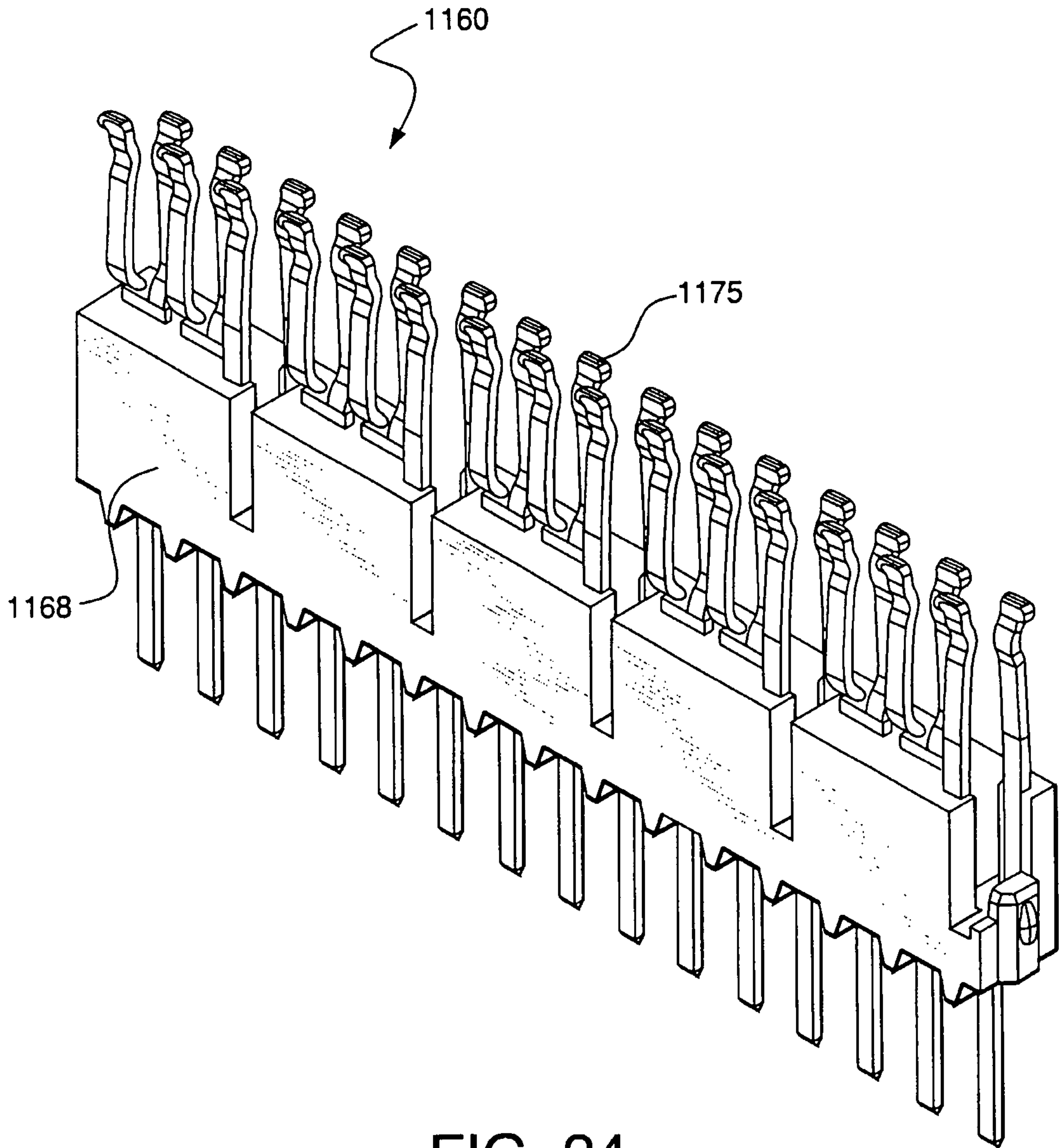


FIG. 24

31/68

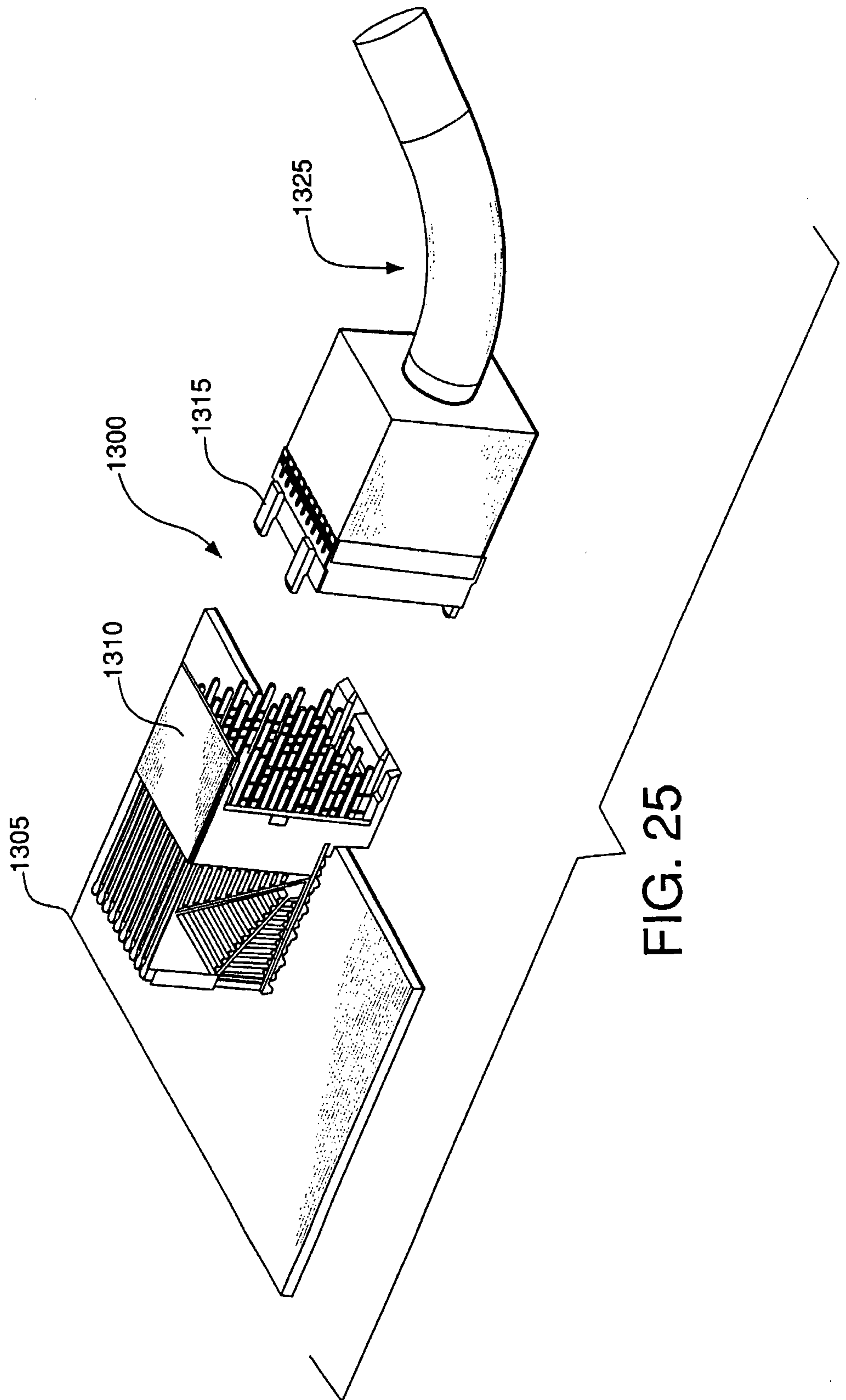


FIG. 25

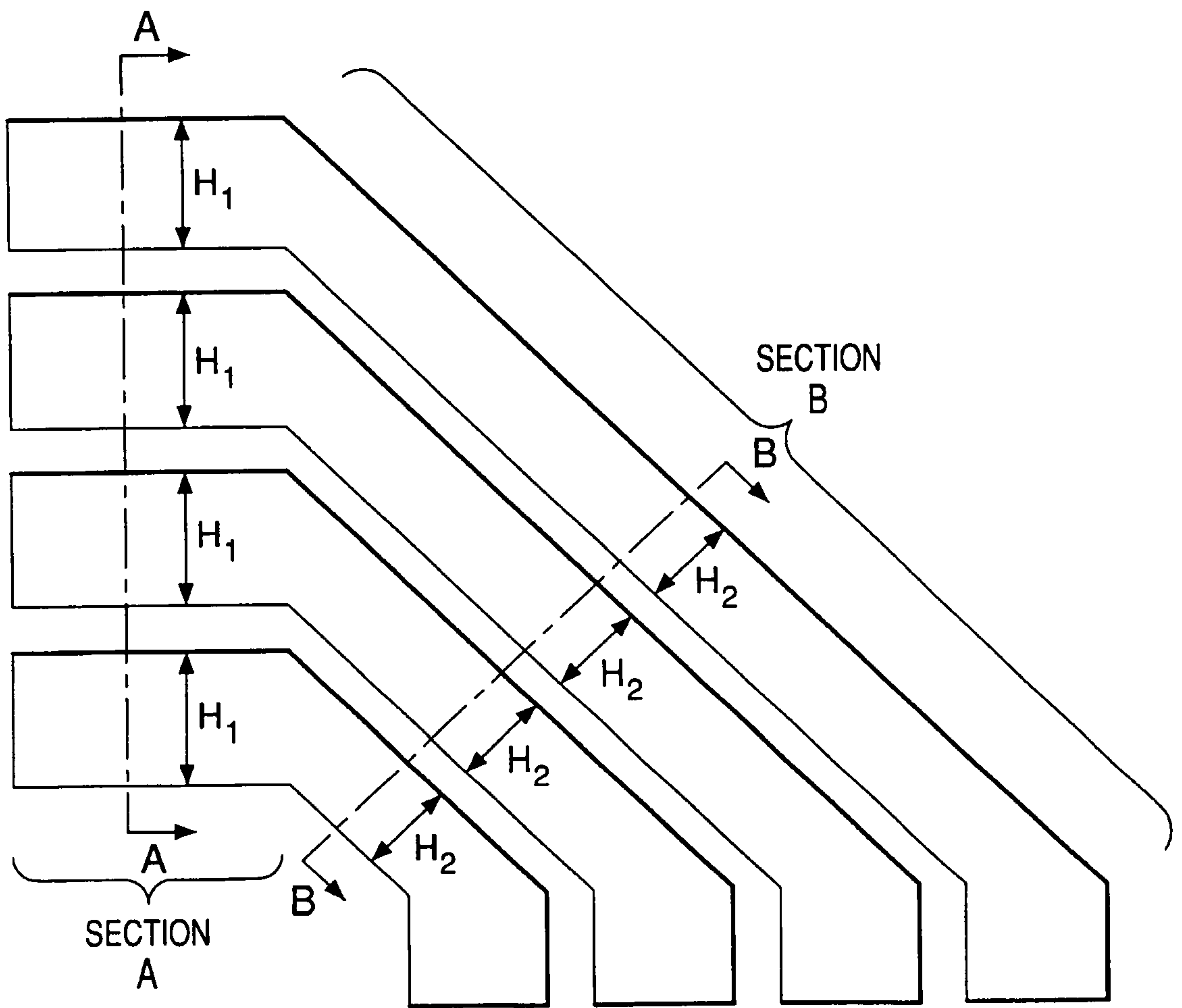


FIG. 26

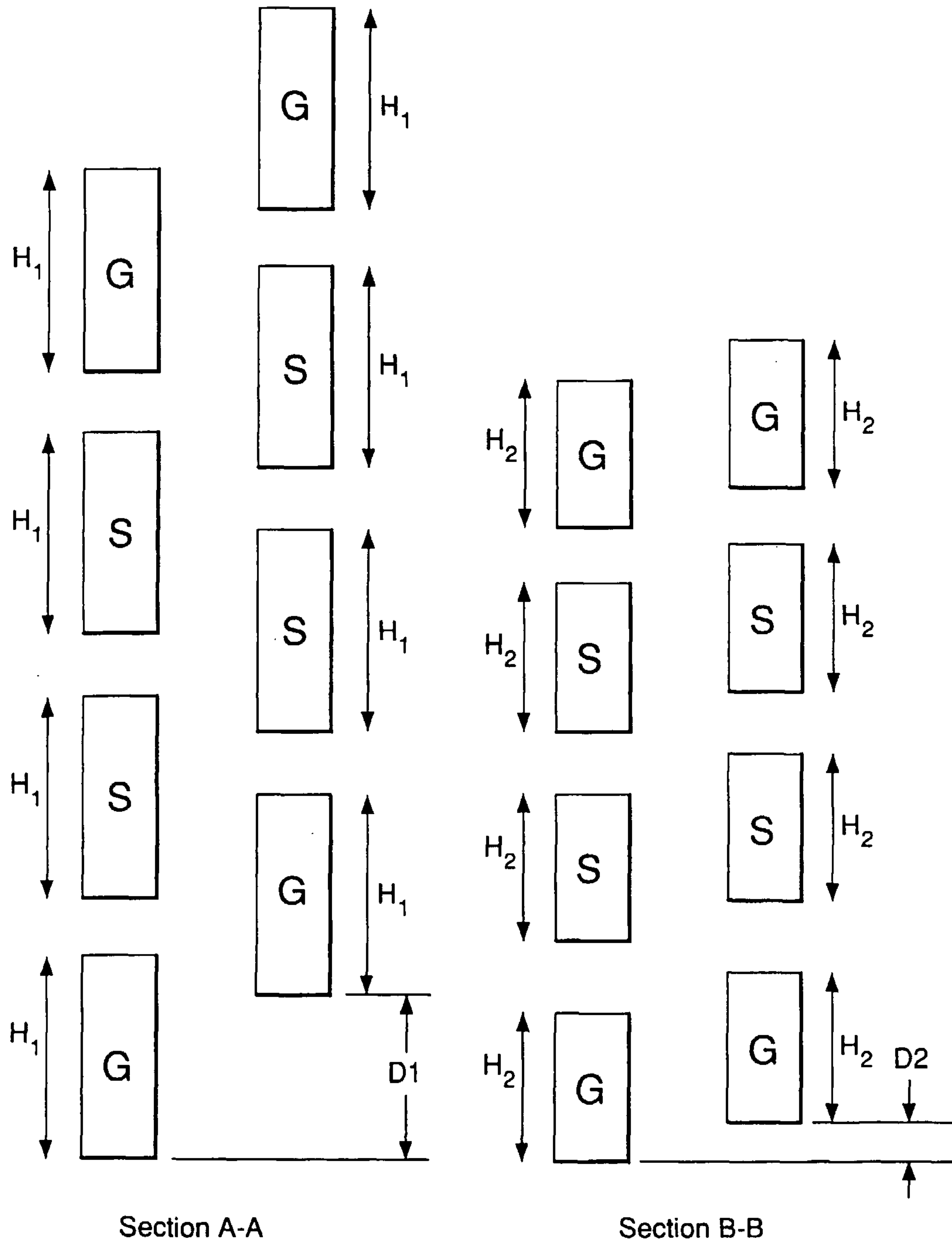


FIG. 27

FIG. 28

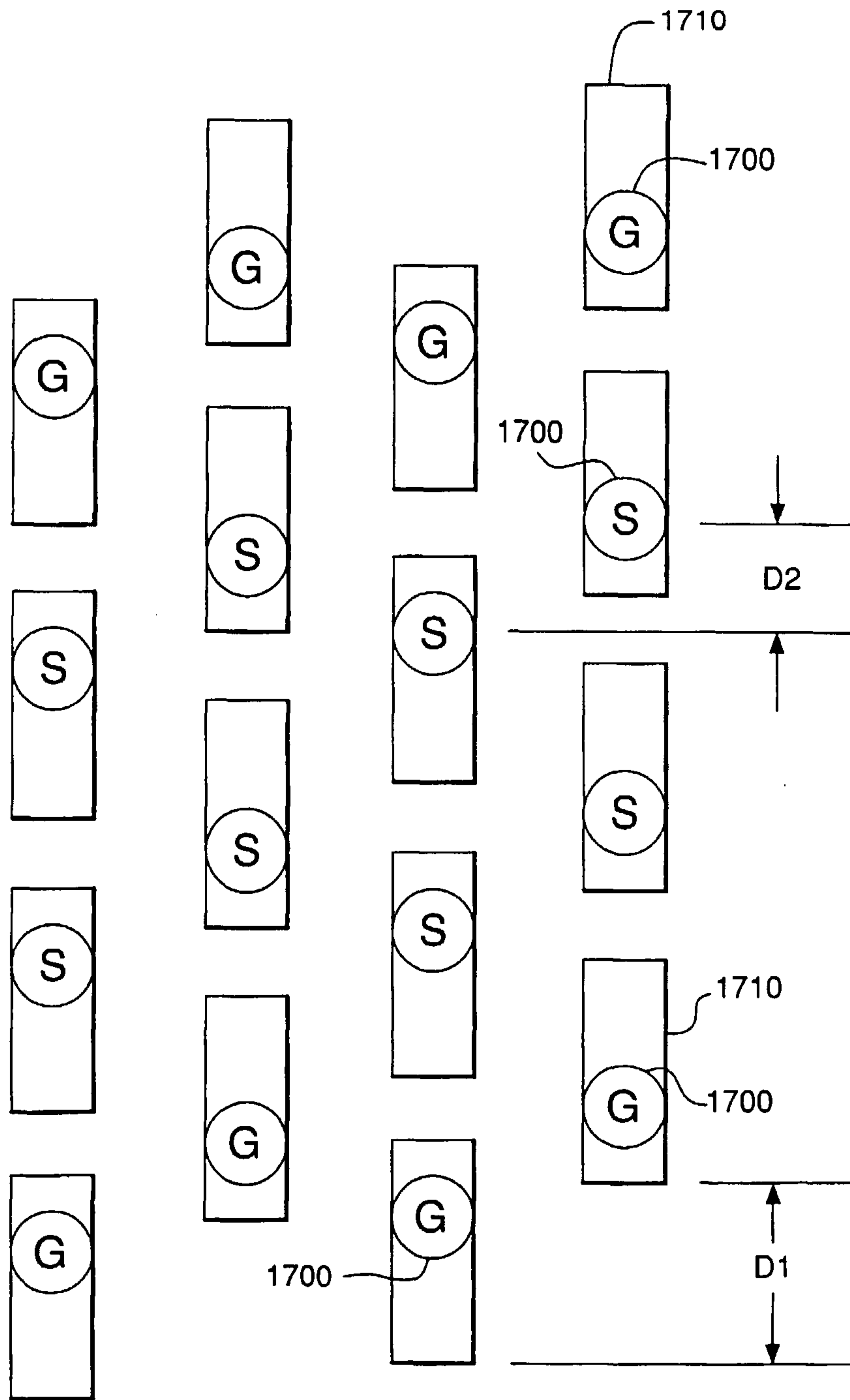


FIG. 29

35/68

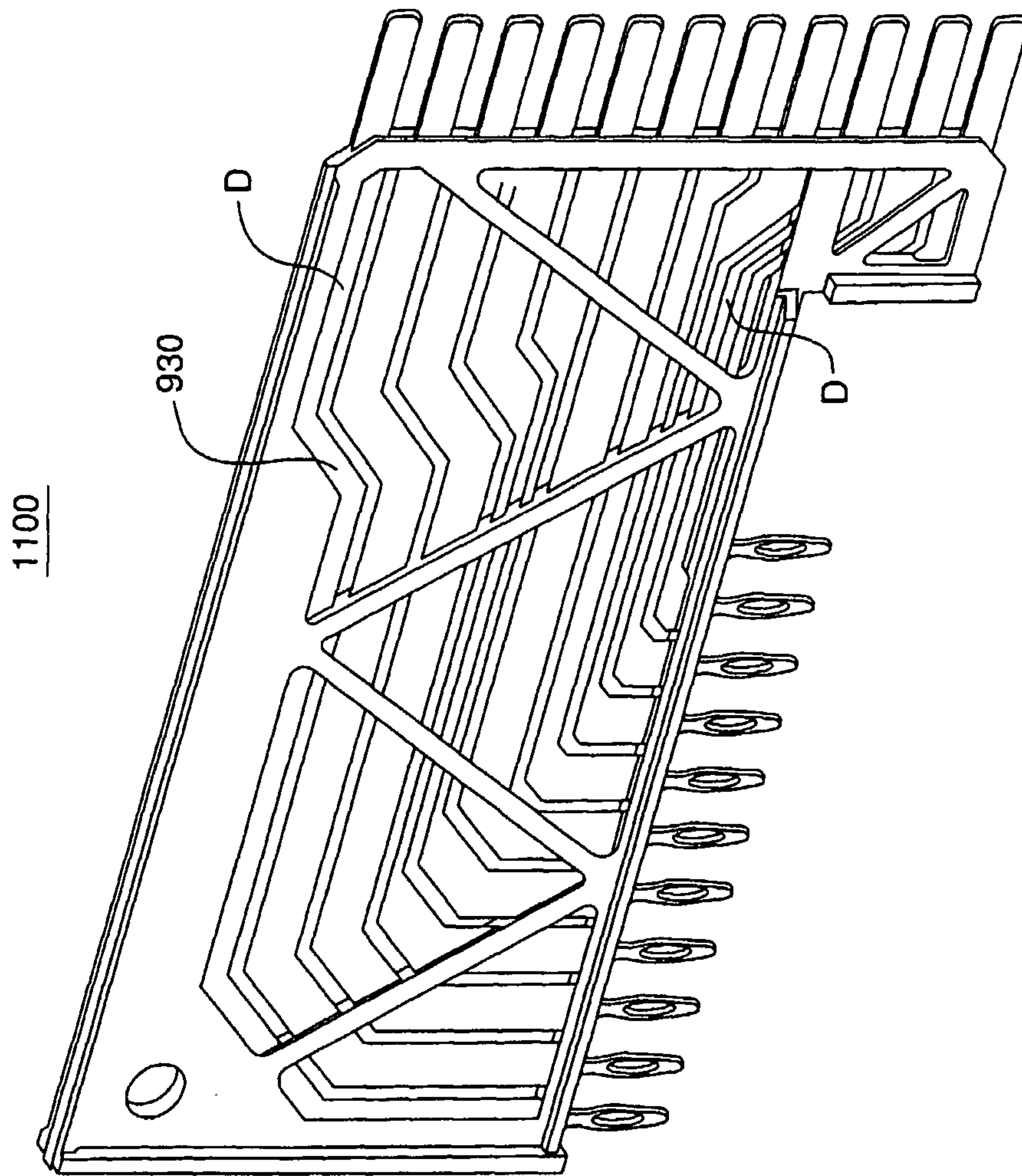


FIG. 30

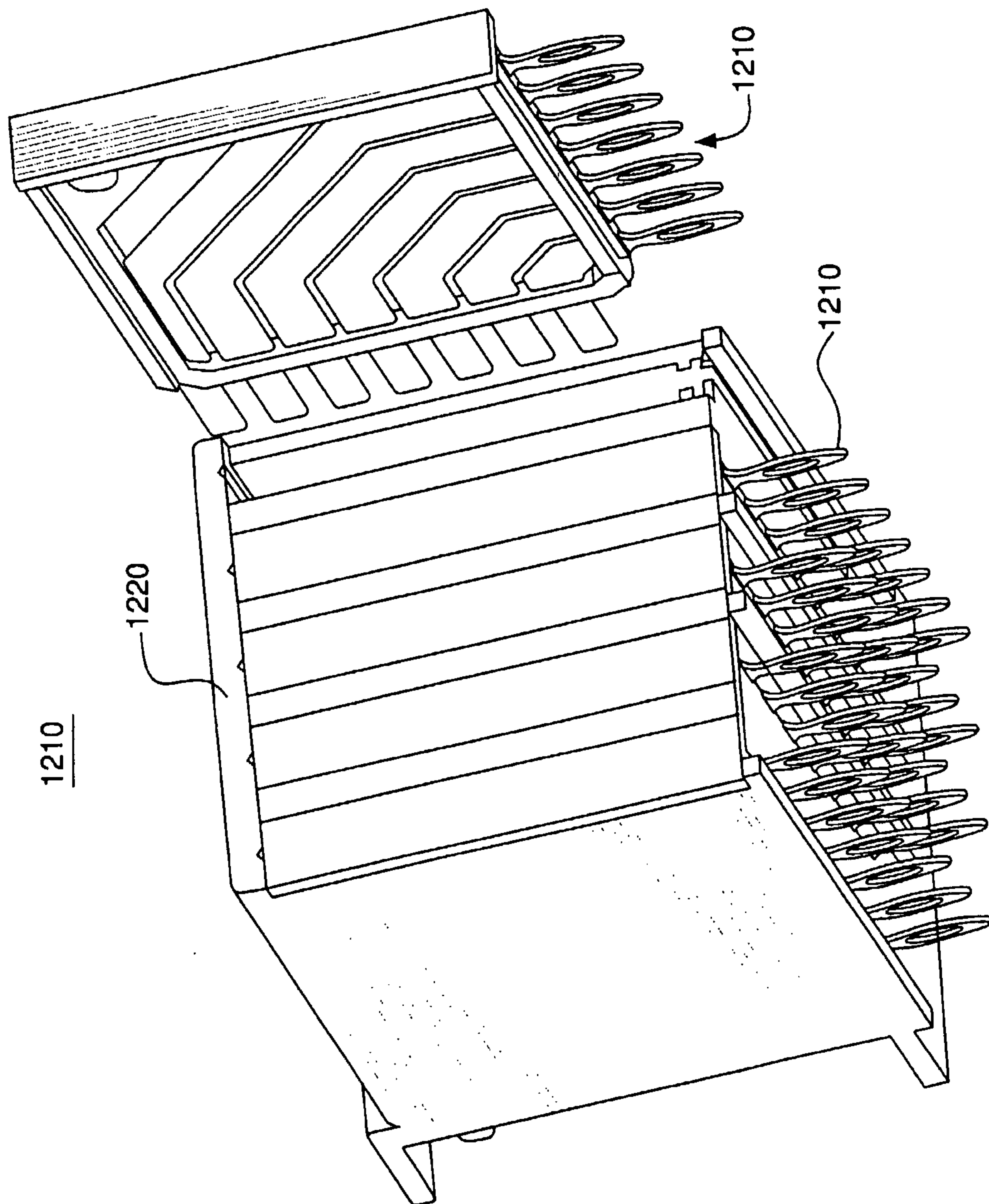


FIG. 31

37/68

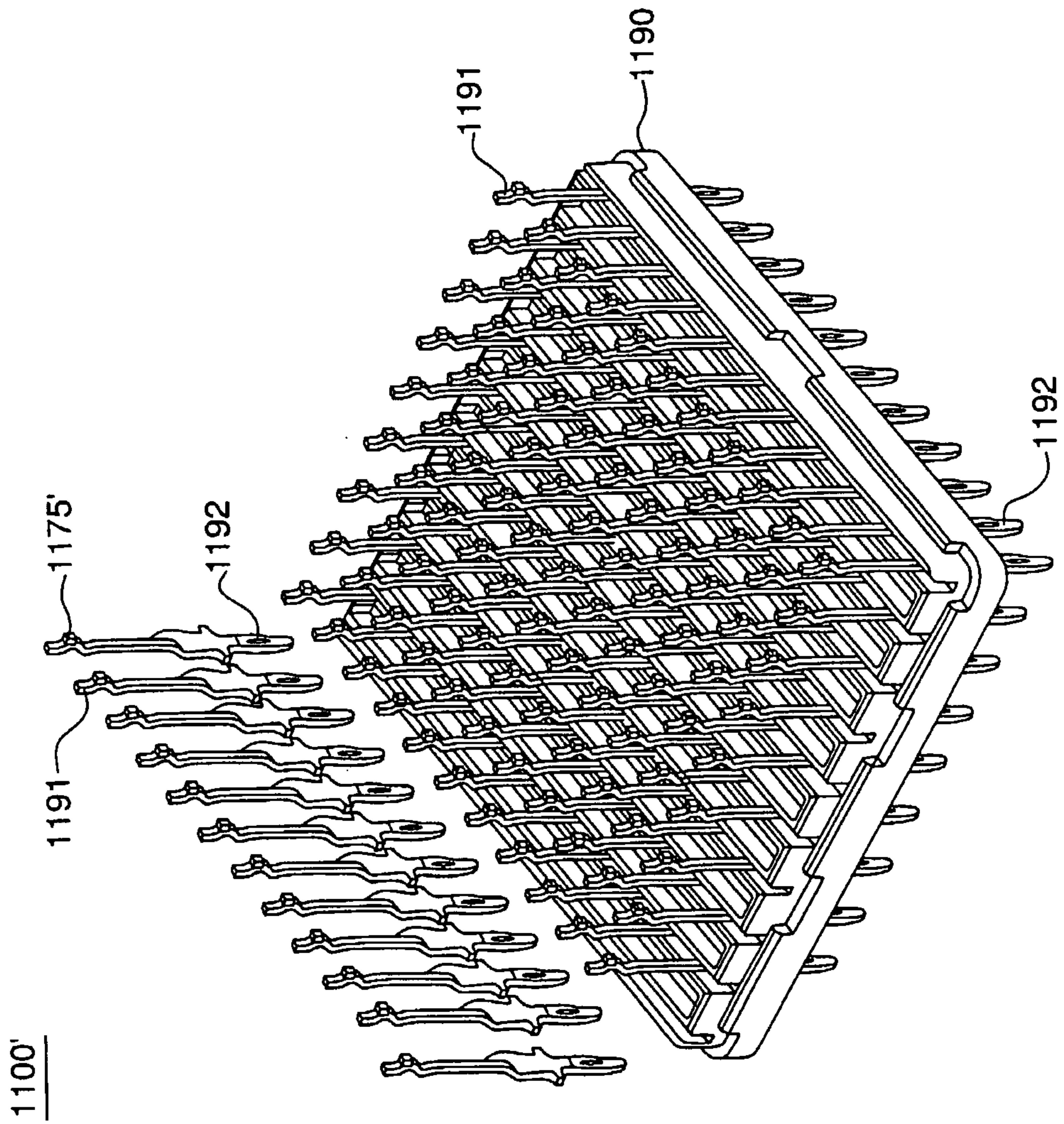


FIG. 32

38/68

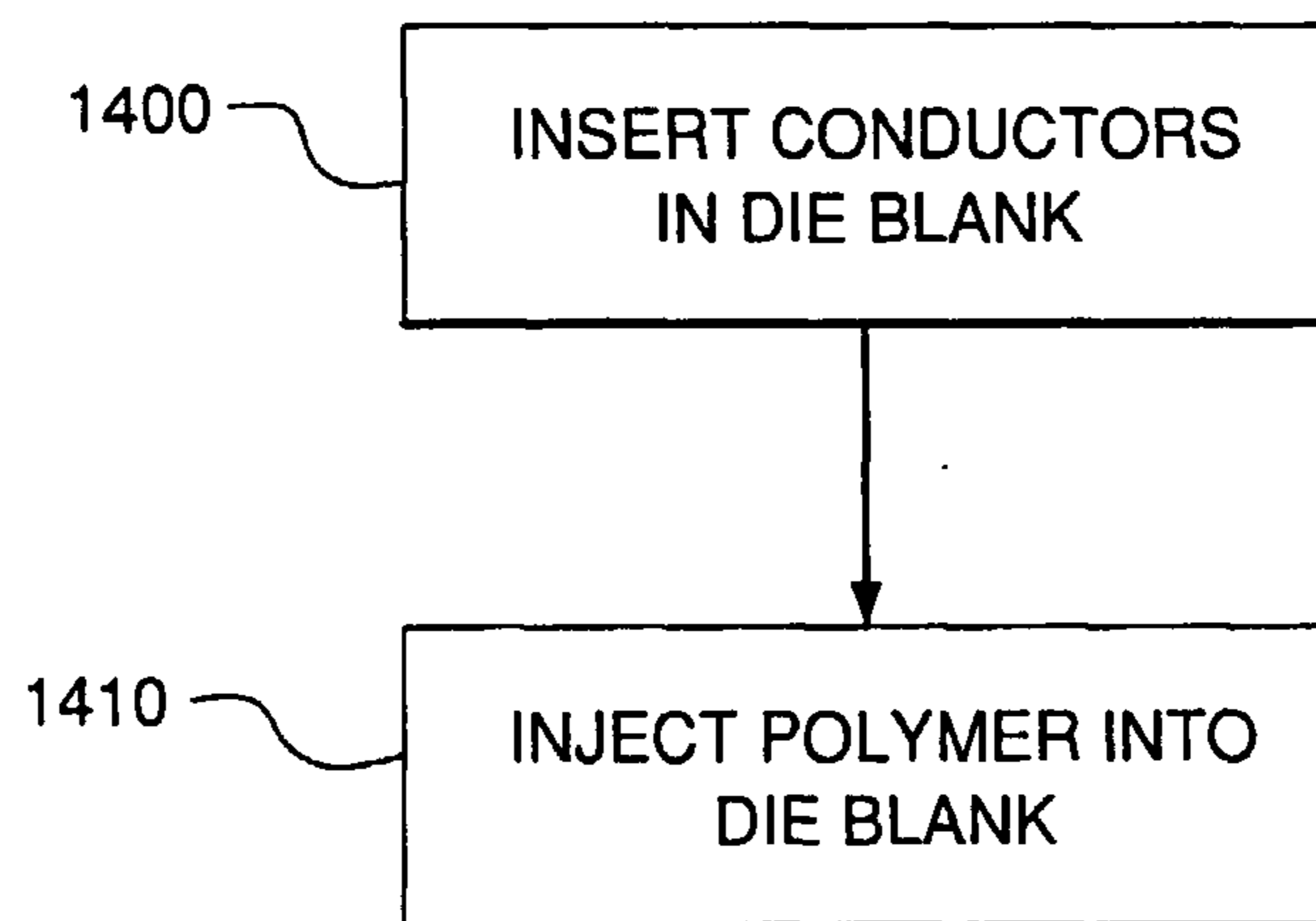


FIG. 33

39/68

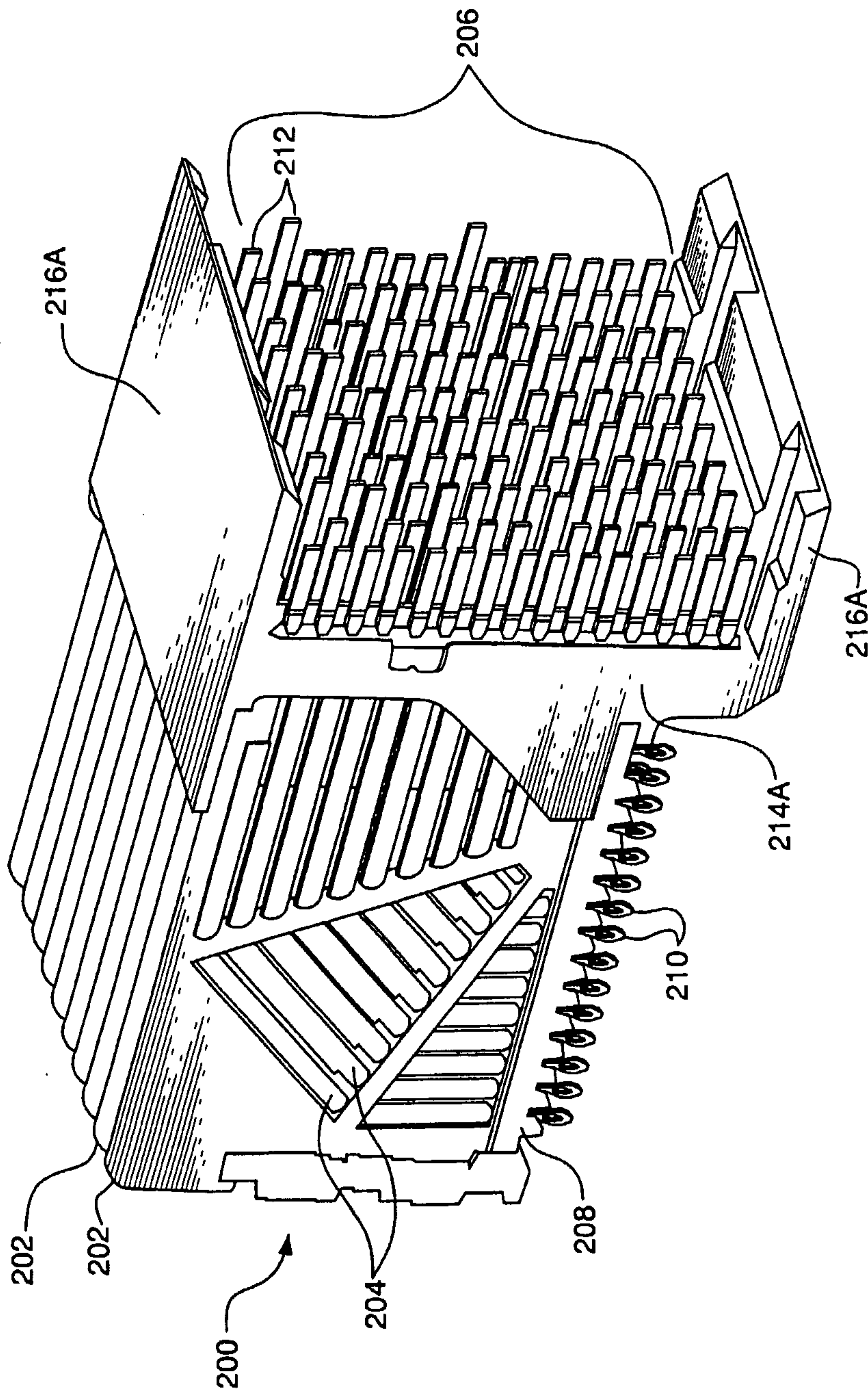


FIG. 34A

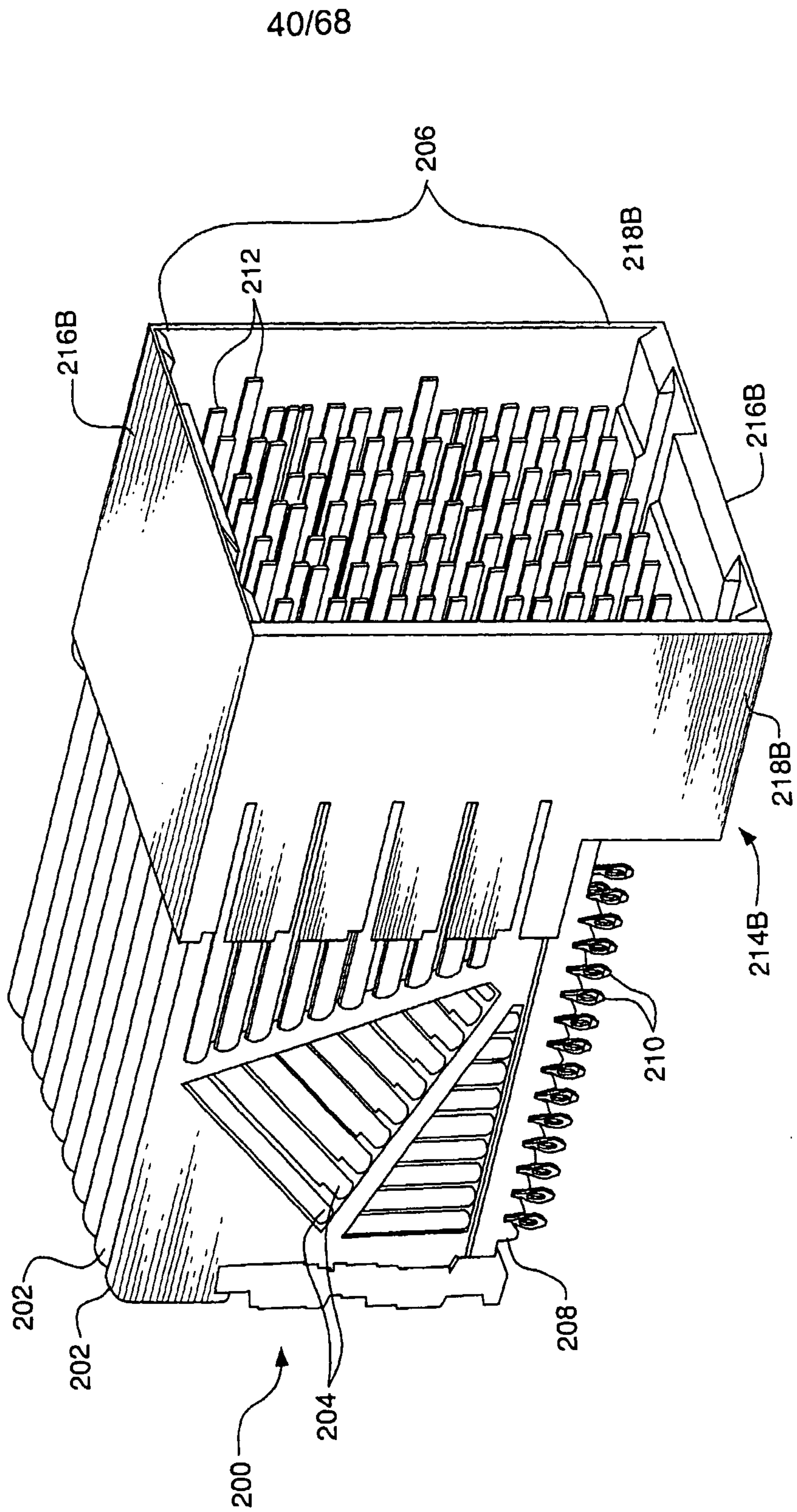


FIG. 34B

41/68

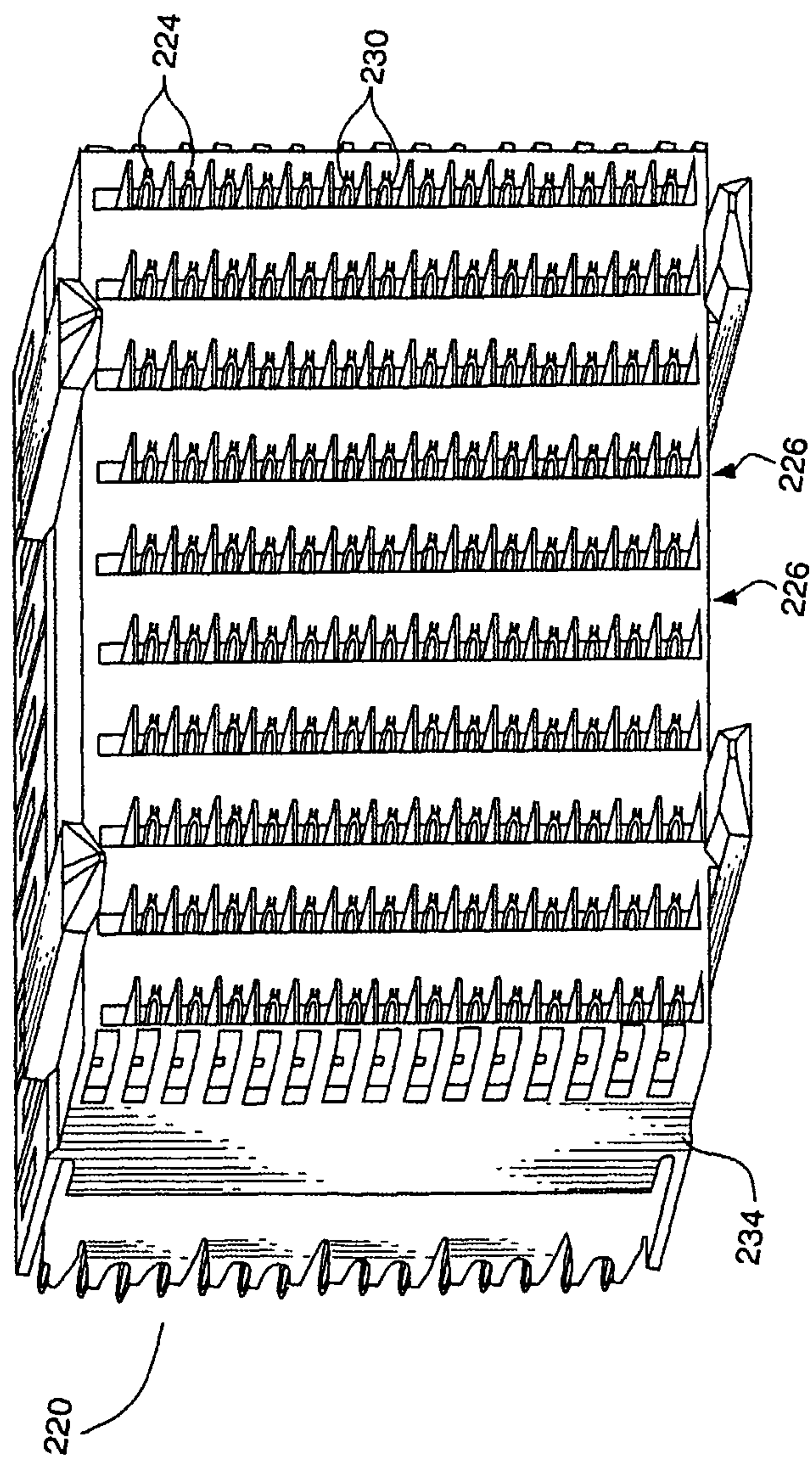


FIG. 35A

42/68

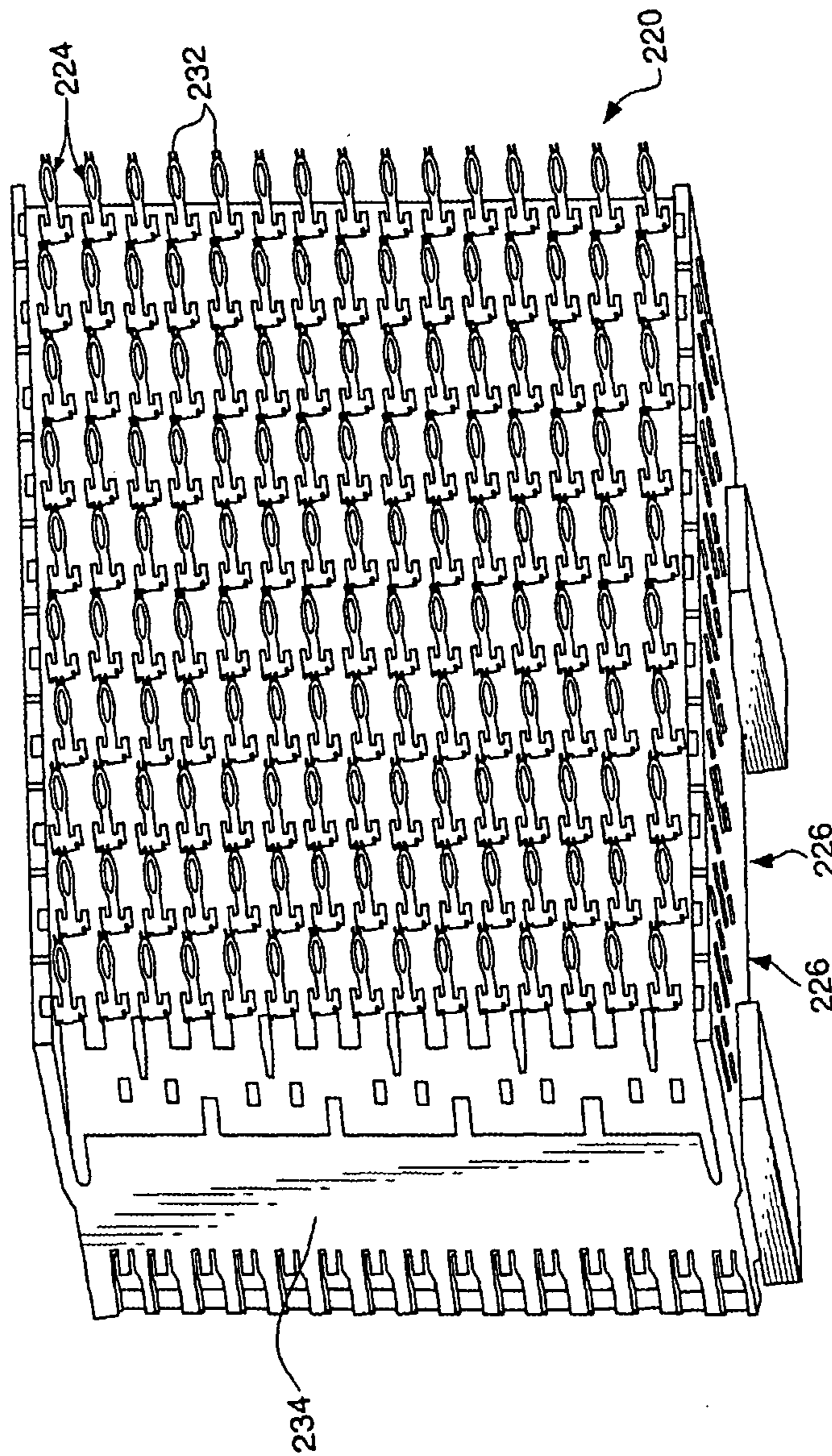


FIG. 35B

43/68

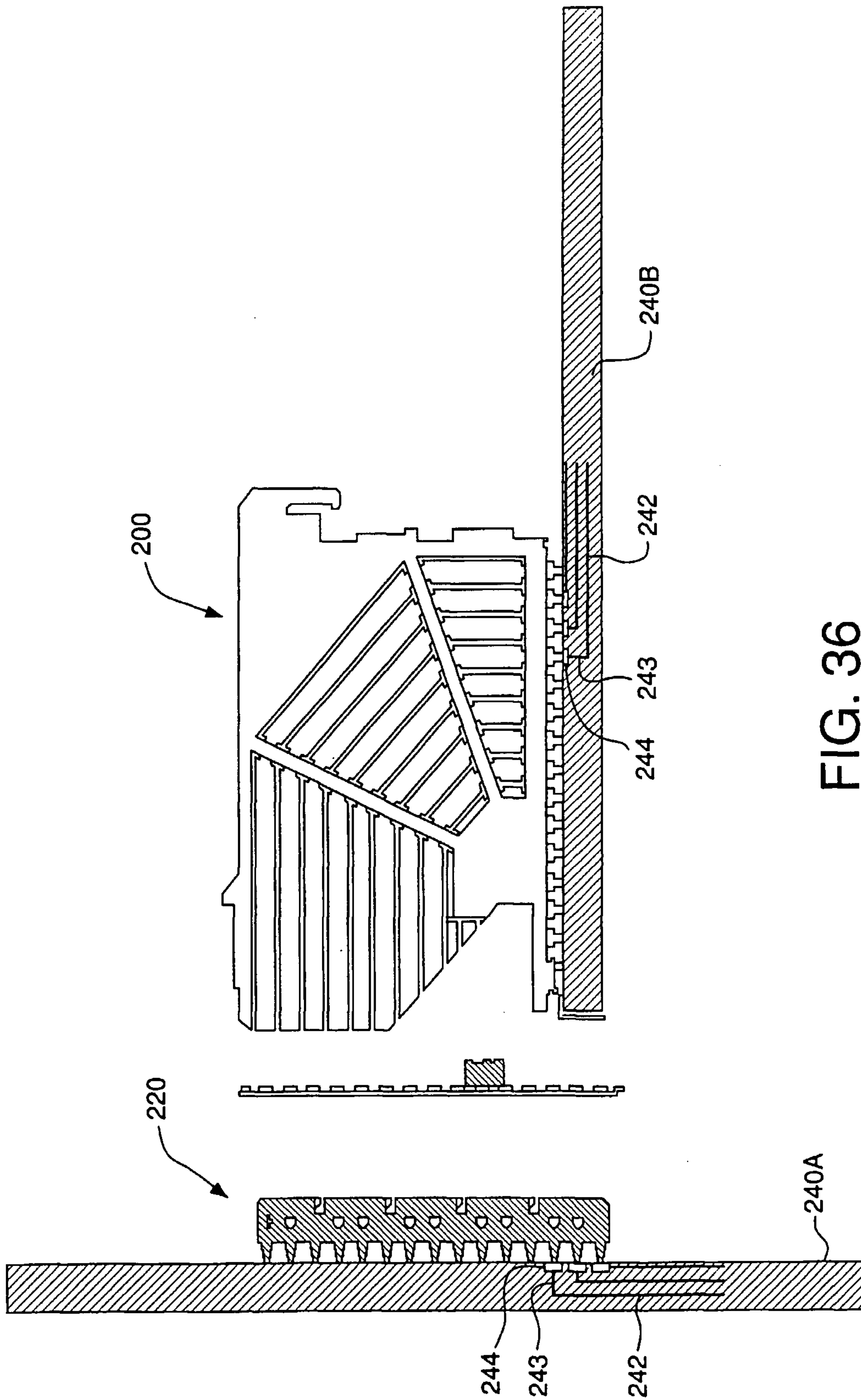


FIG. 36

44/68

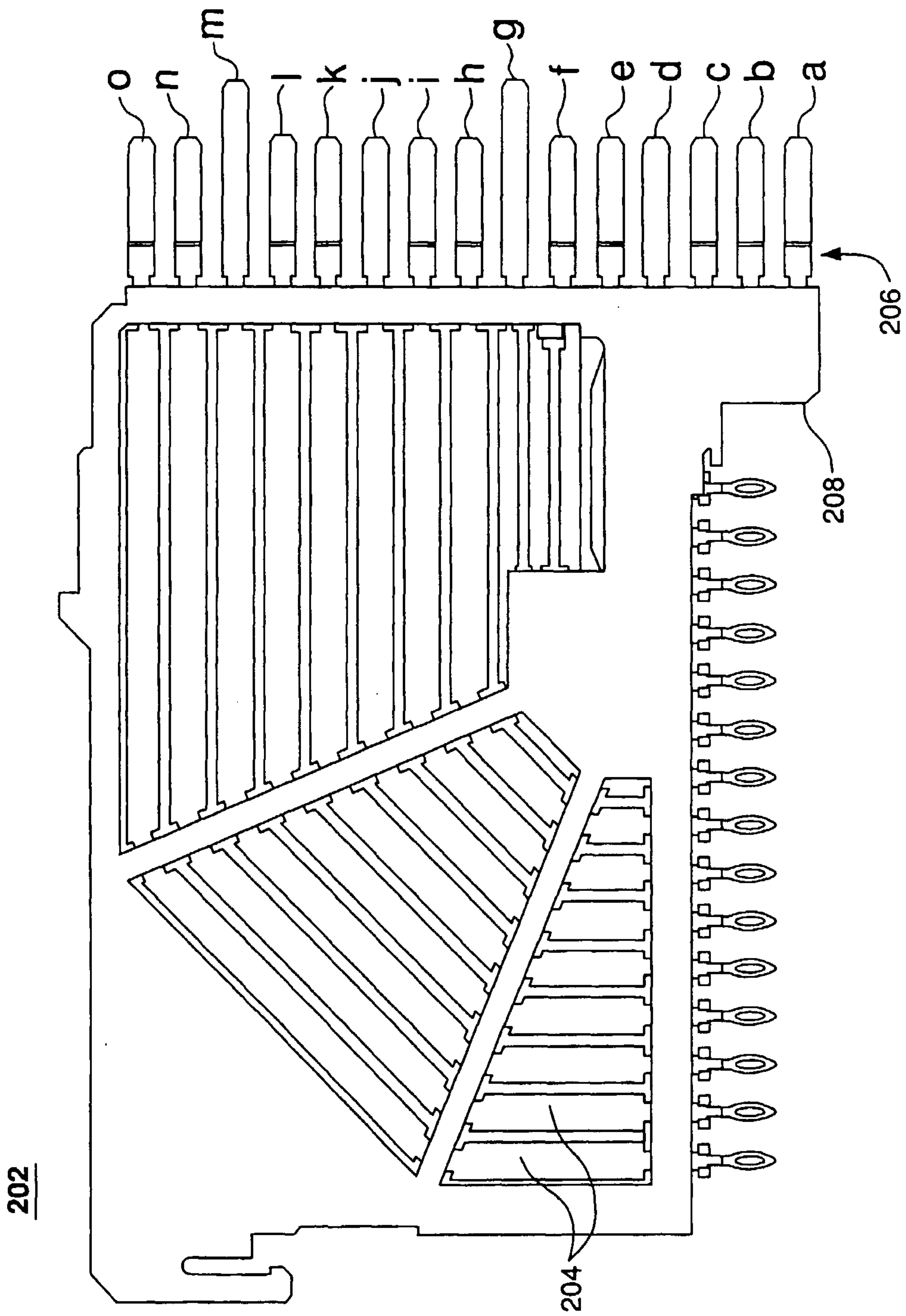


FIG. 37

45/68

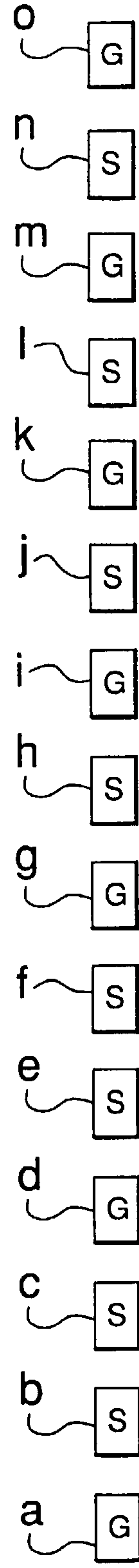
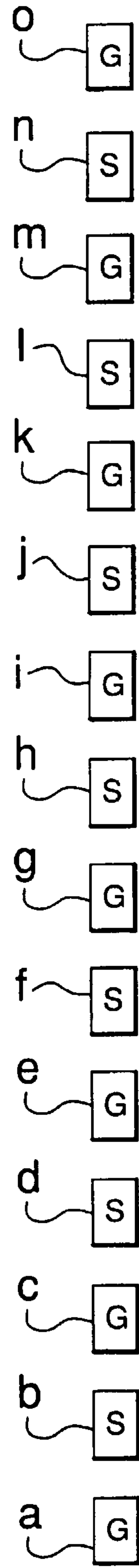
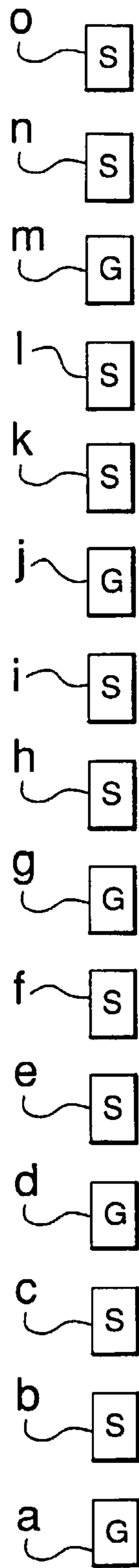


FIG. 38A

FIG. 38B

FIG. 38C

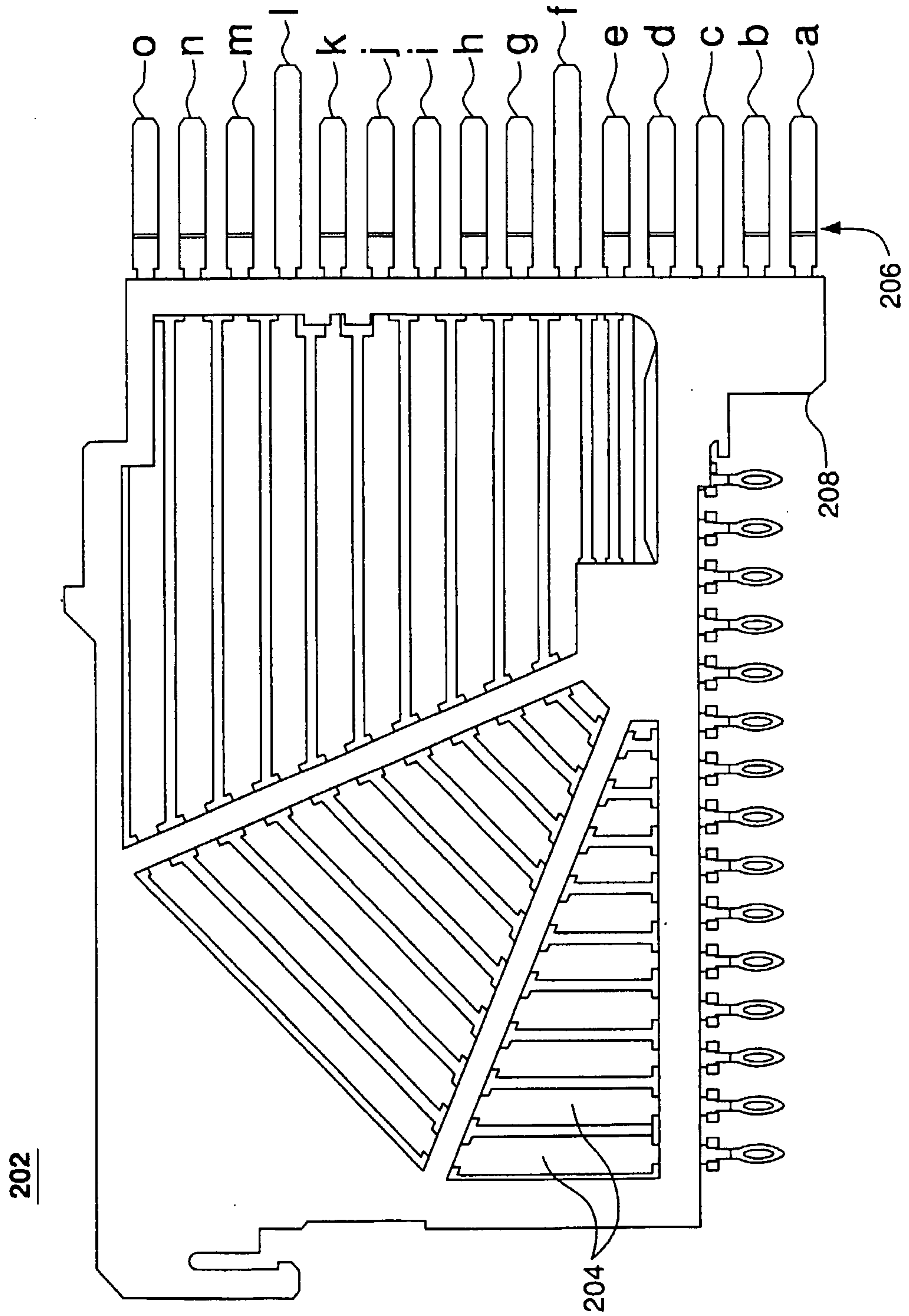


FIG. 39

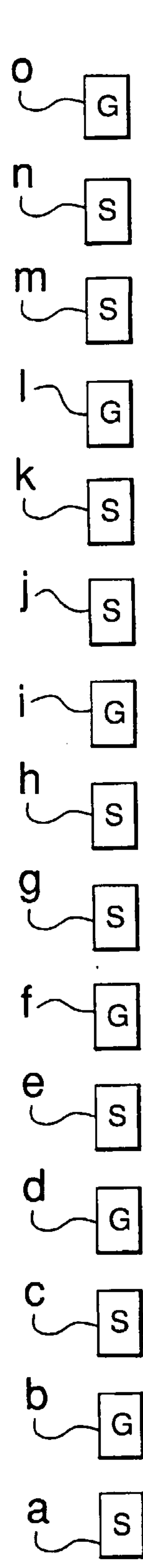
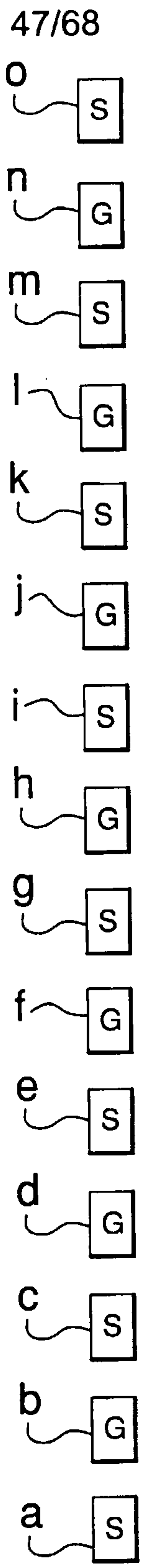
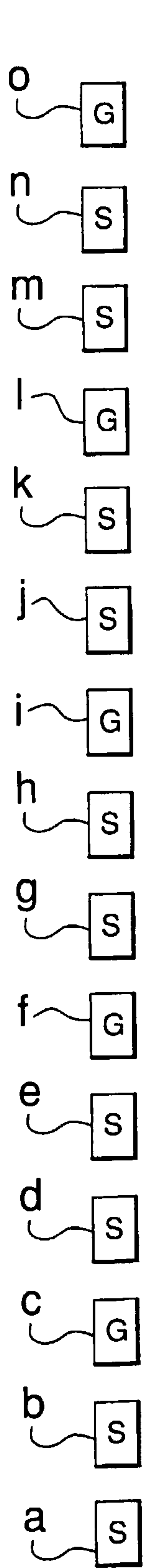


FIG. 40A

FIG. 40B

FIG. 40C

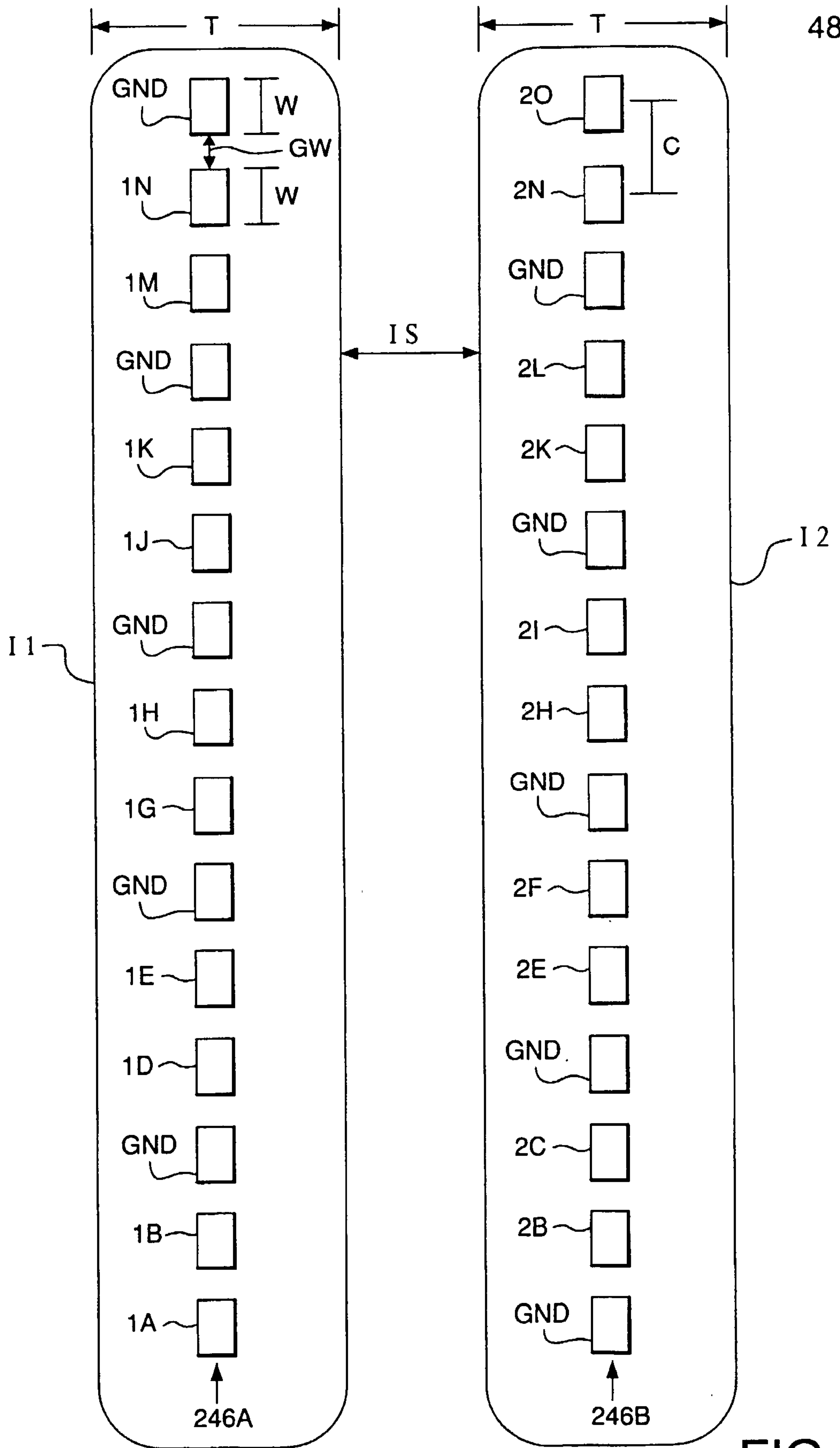


FIG. 41

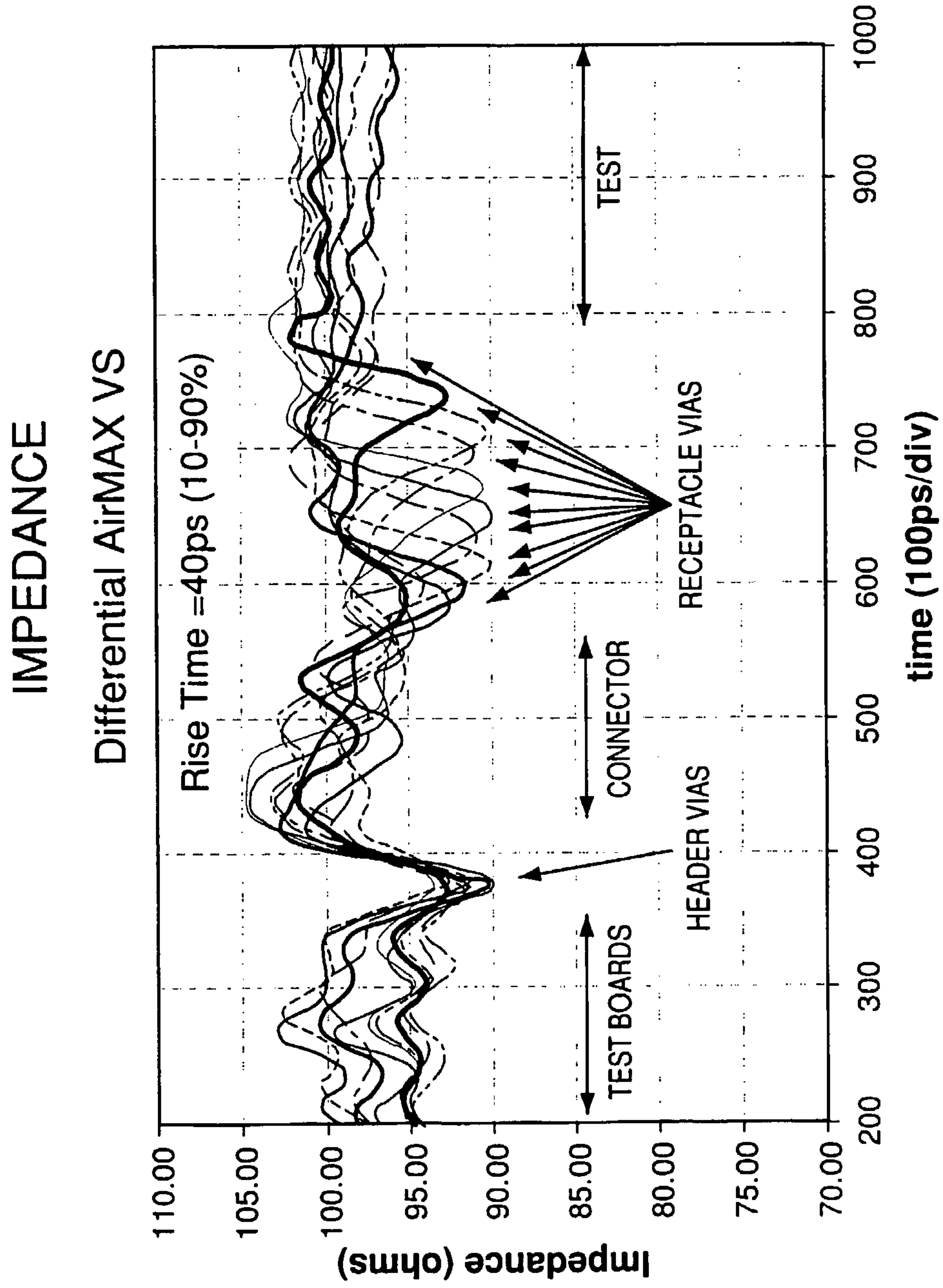


FIG. 42A

INSERTION LOSS
Differential AirMax VS

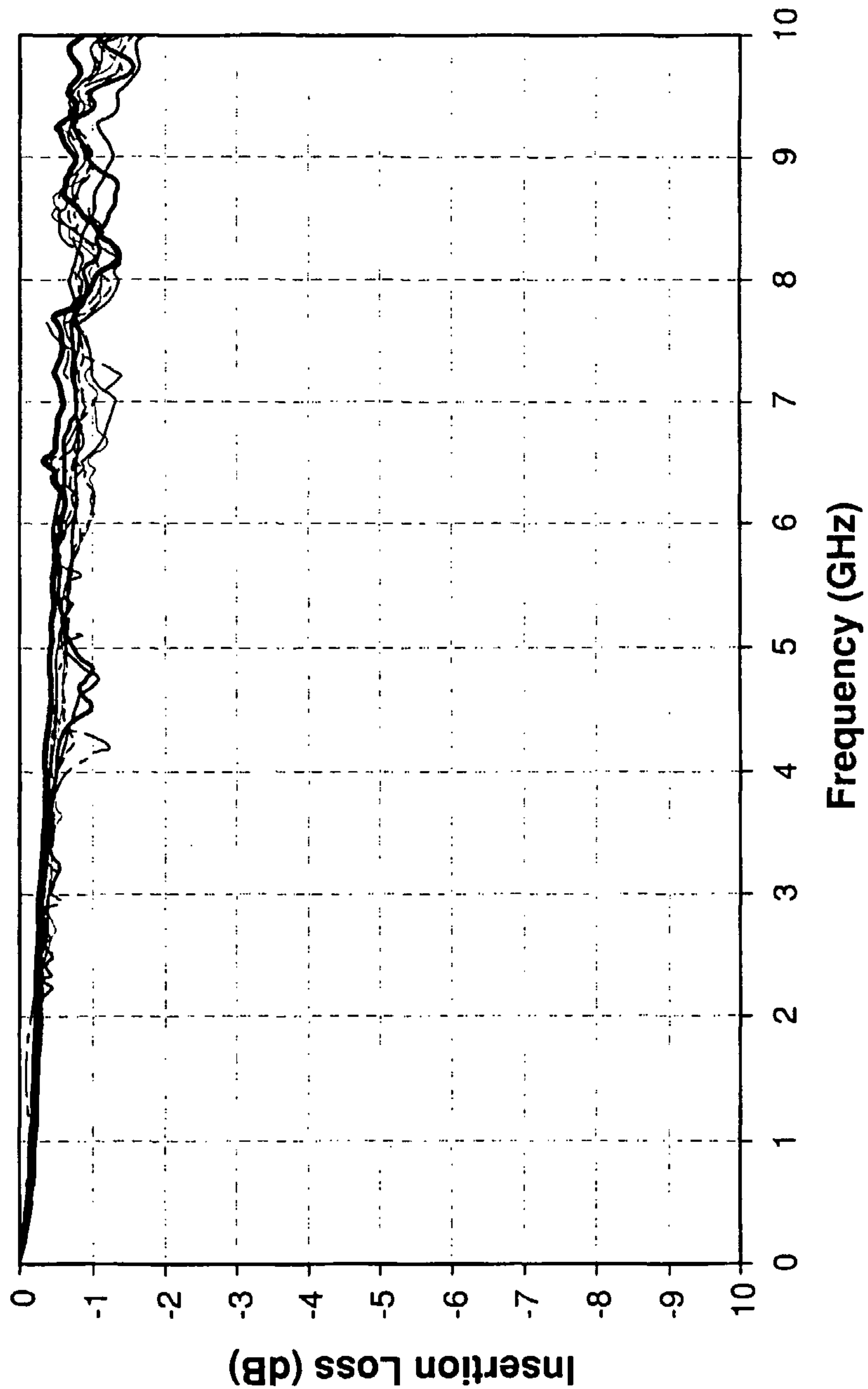


FIG. 42B

CROSSTALK

51/68

Worst-Case Multi-Active Near-End Crosstalk

	AB	BC	DE	EF	GH	HI	JK	KL	MN	NO
40ps (10-90%)	1.9	2.4	2.4	2.3	2.5	2.2	2.4	2.1	2.6	1.7
100ps (10-90%)	1.4	1.8	1.7	1.8	1.9	1.7	2.0	1.7	1.8	1.0

FIG. 42C

Worst-Case Multi-Active Far-End Crosstalk

	AB	BC	DE	EF	GH	HI	JK	KL	MN	NO
40ps (10-90%)	2.7	1.8	5.0	3.4	4.2	3.2	4.1	2.9	2.4	1.1
100ps (10-90%)	1.3	0.8	2.2	1.5	1.9	1.4	1.8	1.3	1.1	0.5

FIG. 42D

IMPEDANCE
Single-Ended AirMax VS

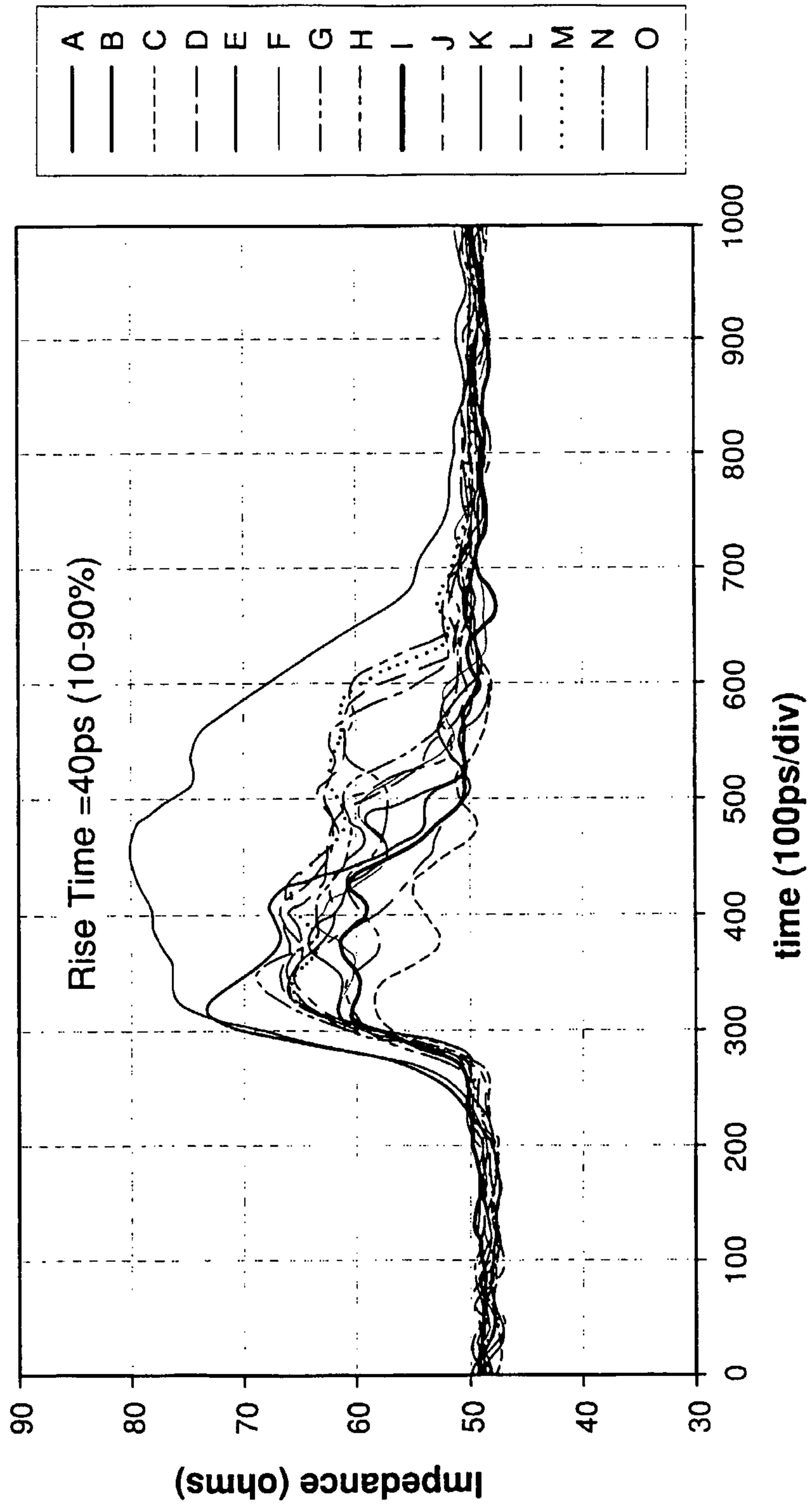


FIG. 44A

54/68

IMPEDANCE
Single-Ended AirMax VS

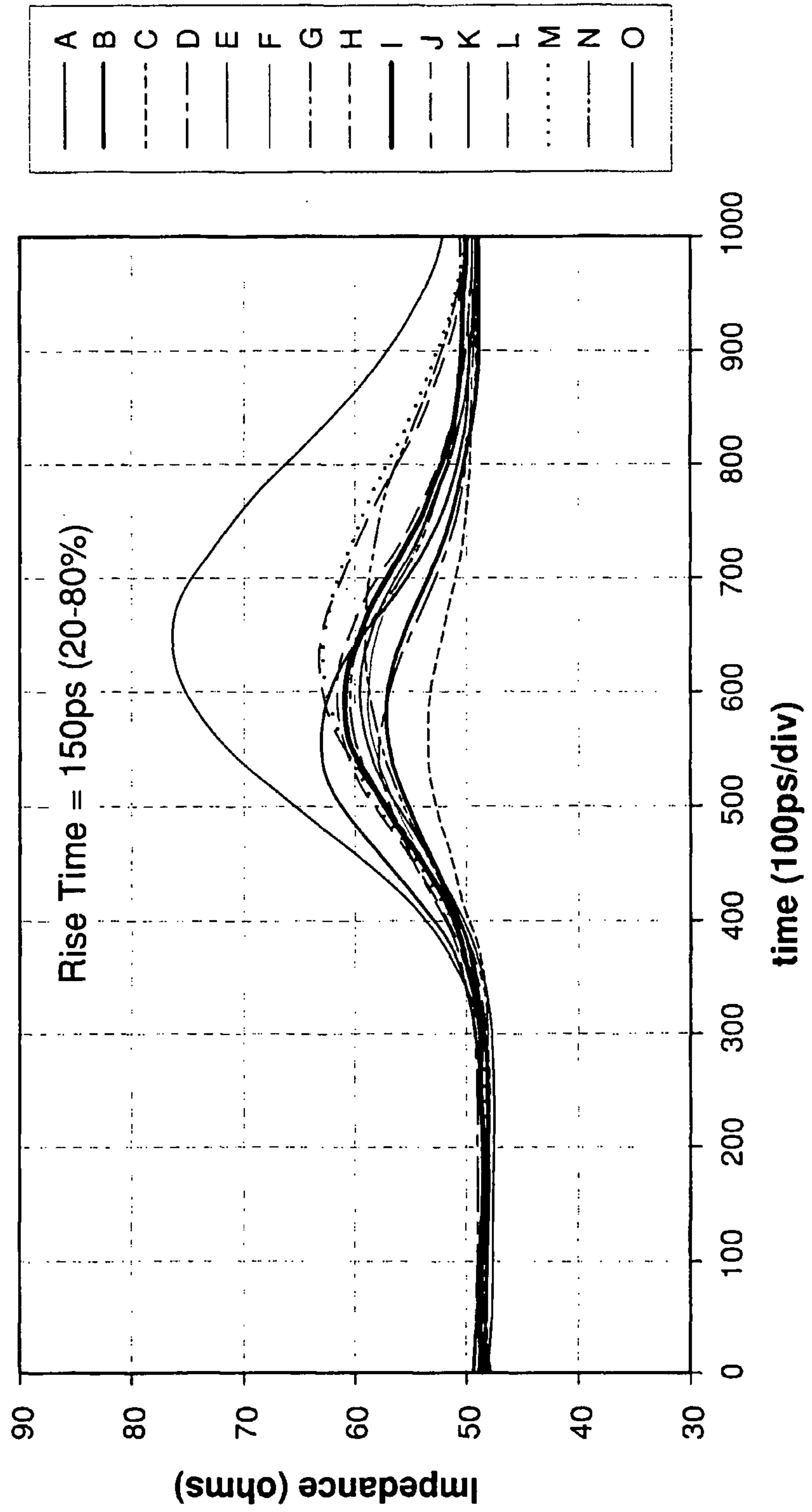
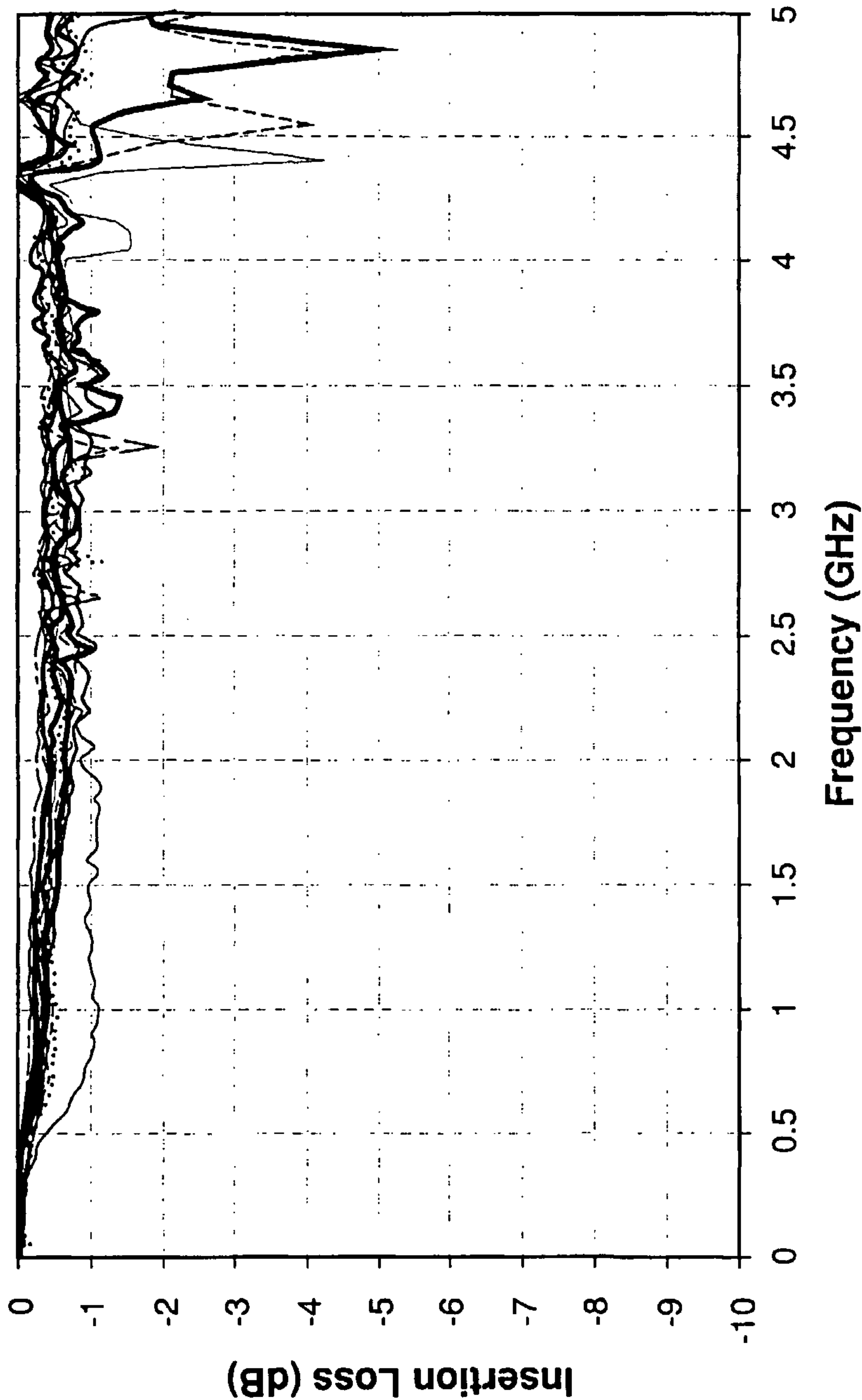


FIG. 44B

INSERTION LOSS

Single-Ended AirMax VS



A	B	C	D	E	F	G	H	I	J	K	L	M	N	O
—	—	- - -	- - -	- - -	- - -	- - -	- - -	—	- - -	- - -	- - -	- - -	- - -

FIG. 44C

CROSSTALK

Worst-Case Multi-Active Near-End Crosstalk

	A	B	C	D	E	F	G	H	I	J	K	L	M	N	O
150ps(20-80%)	5.0	7.3	7.3	7.4	6.0	6.2	7.2	7.6	8.0	8.7	6.6	7.6	8.0	7.8	4.2

FIG. 44D

Worst-Case Multi-Active Far-End Crosstalk

	A	B	C	D	E	F	G	H	I	J	K	L	M	N	O
150ps(20-80%)	2.0	2.9	2.4	2.4	2.6	2.4	2.9	2.9	2.5	2.8	2.6	2.7	2.8	2.8	1.7

FIG. 44E

57/68

Single-Ended IMLA to Differential IMLA
Near-End Crosstalk Approximation

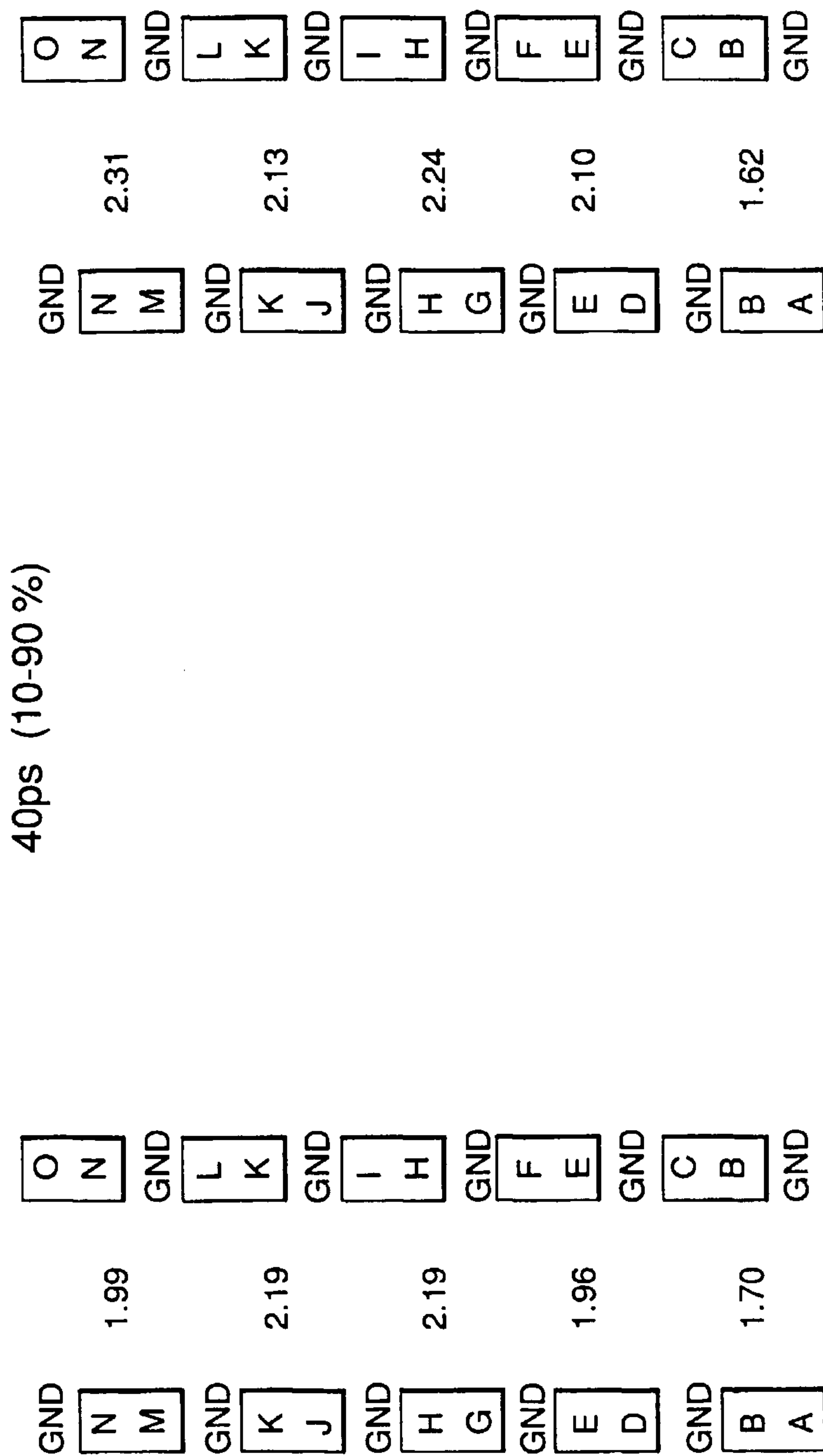


FIG. 45A

Single-Ended IMLA to Differential IMLA
Far-End Crosstalk Approximation

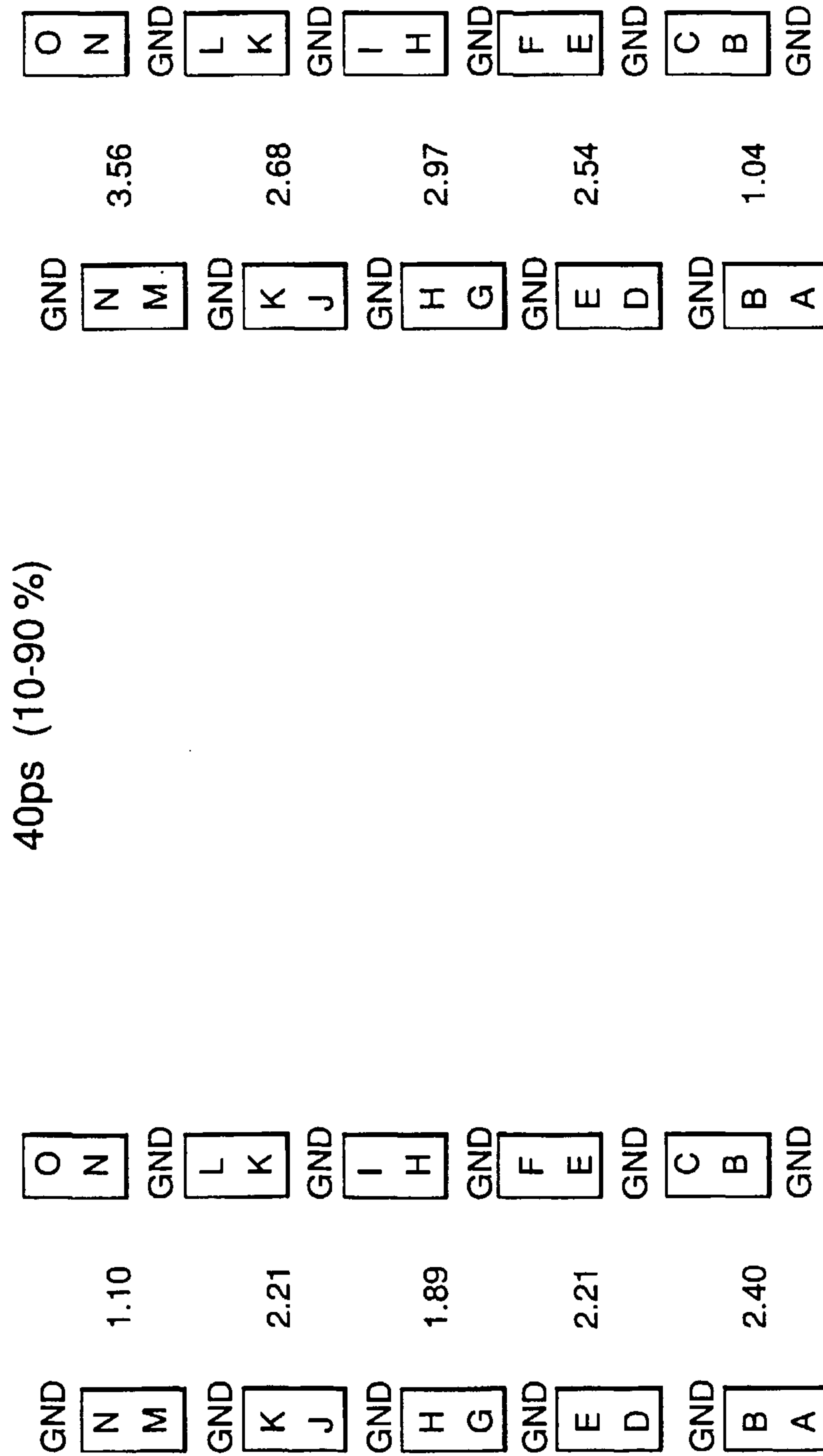


FIG. 45B

59/68

Single-Ended IMLA to Differential IMLA Near-End Crosstalk Approximation

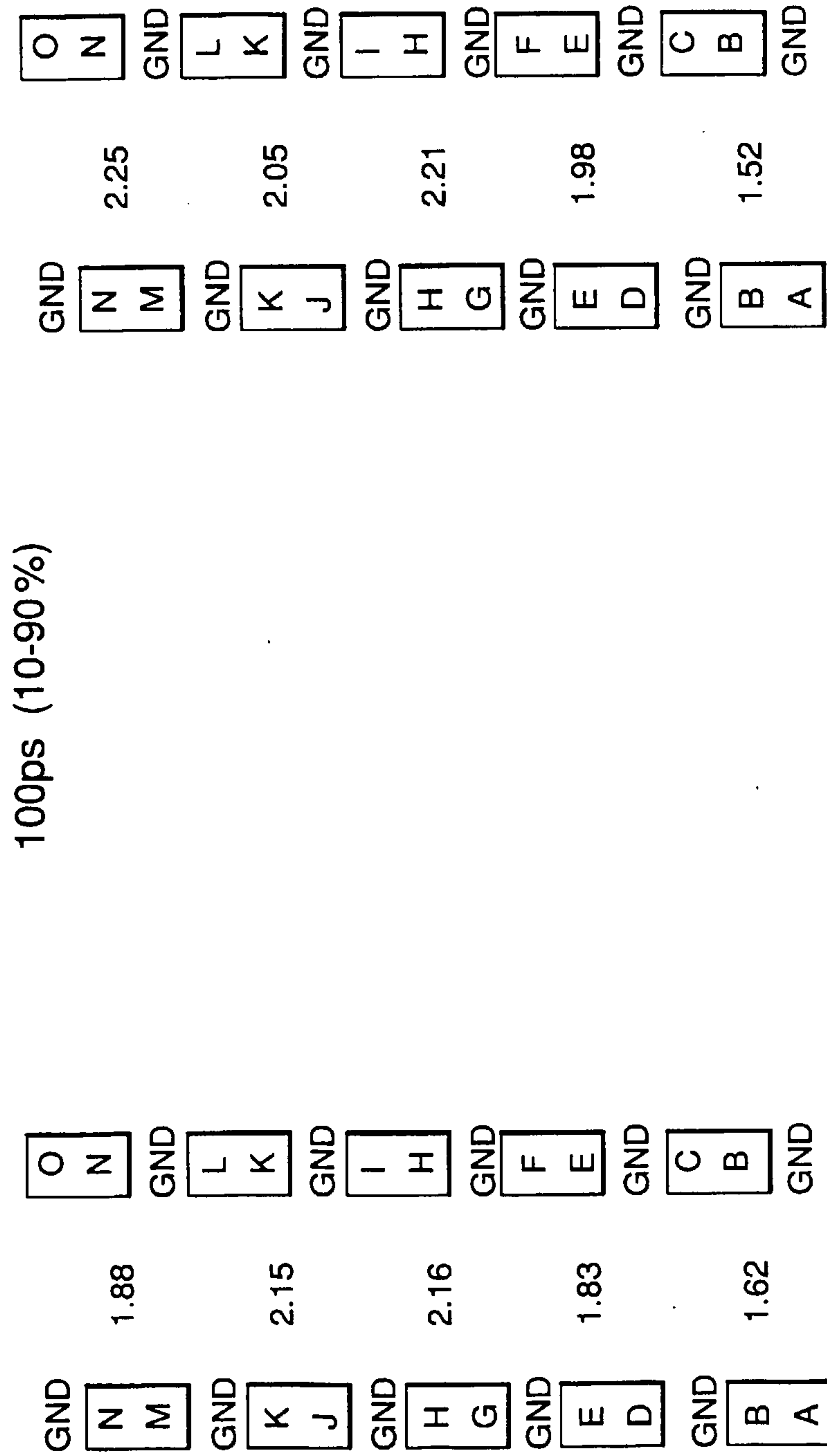


FIG. 45C

Single-Ended IMLA to Differential IMLA
Far-End Crosstalk Approximation

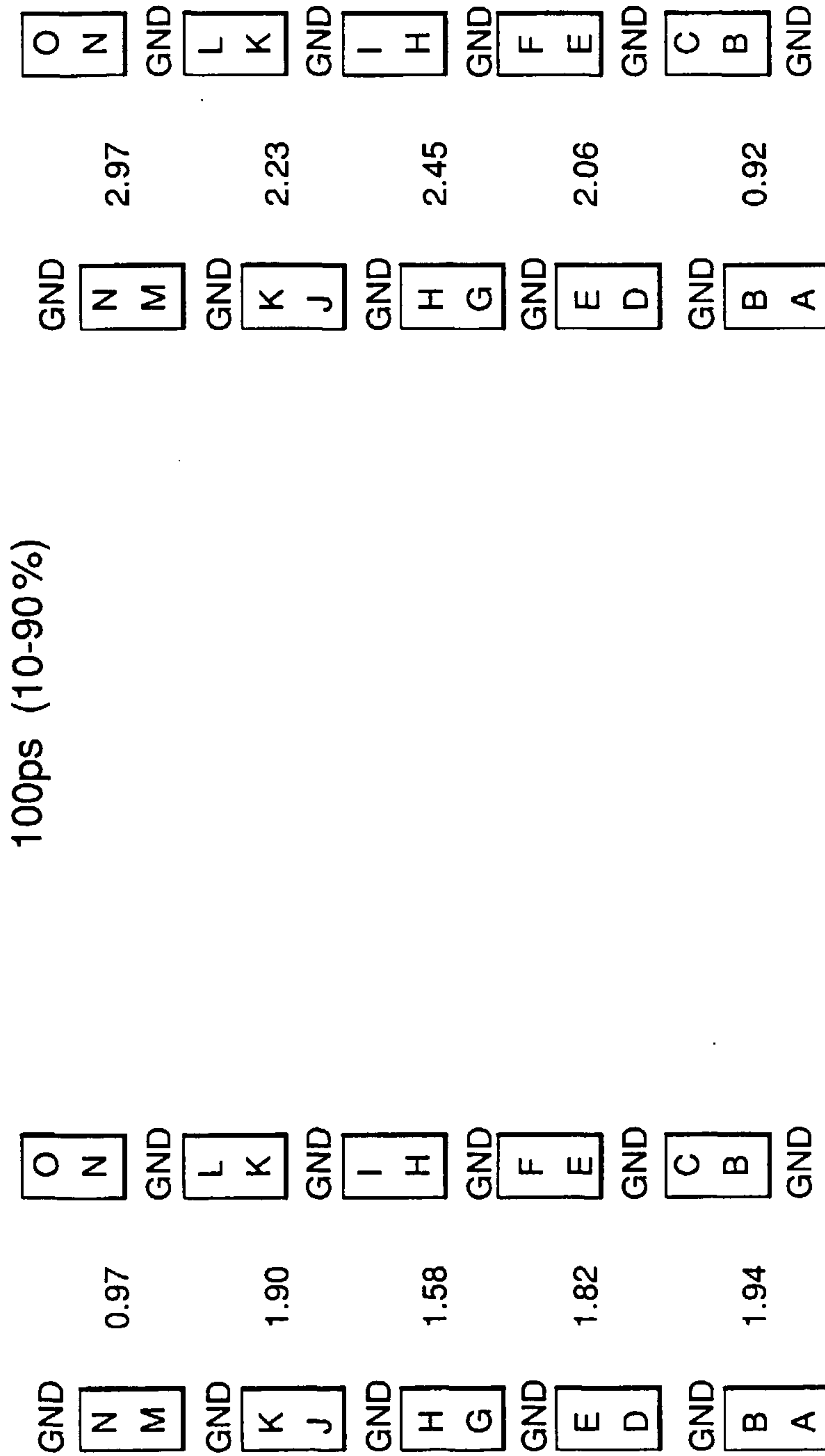


FIG. 45D

61/68

Single-Ended IMLA to Differential IMLA Near-End Crosstalk Approximation

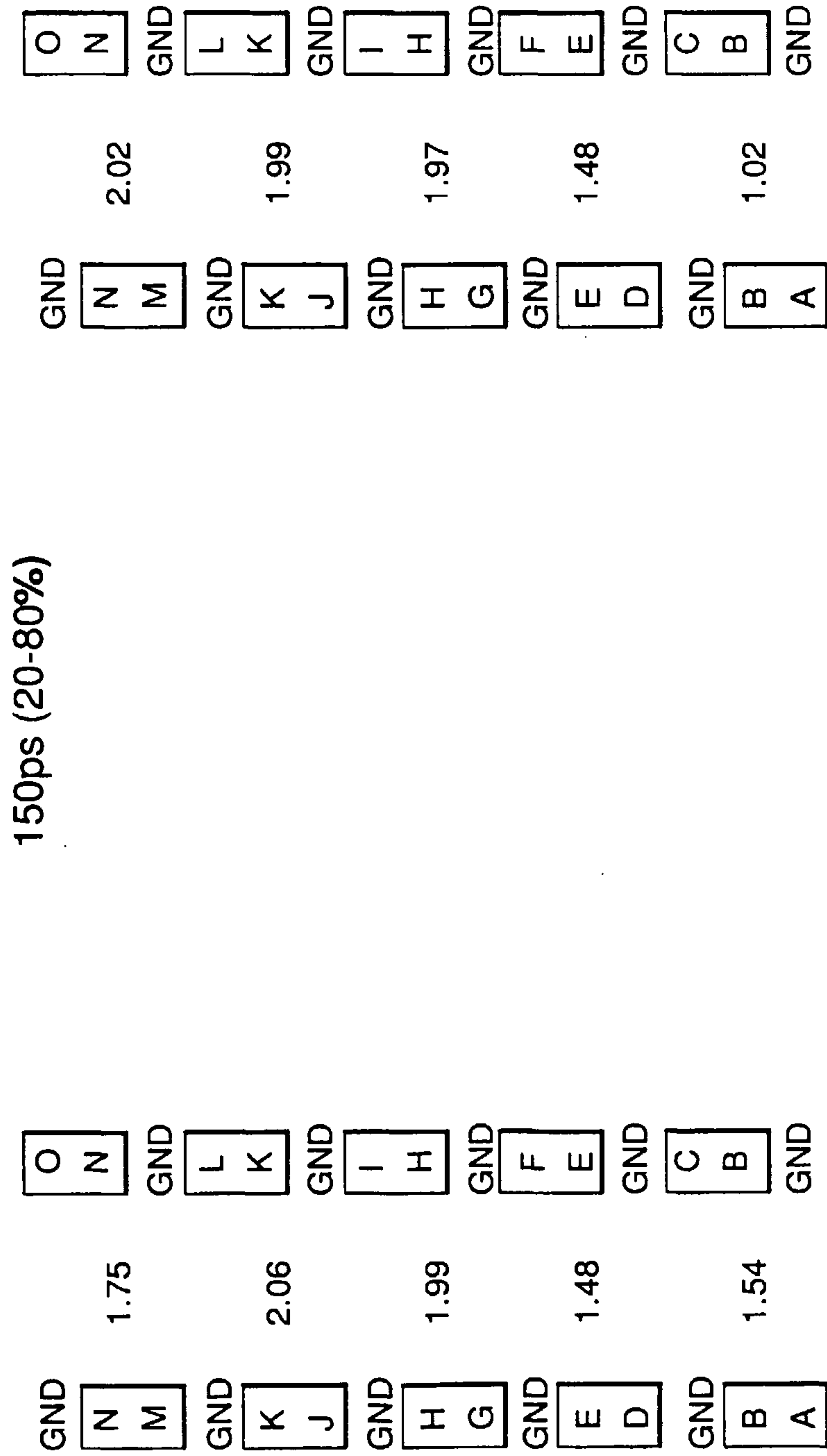


FIG. 45E

Single-Ended IMLA to Differential IMLA Far-End Crosstalk Approximation

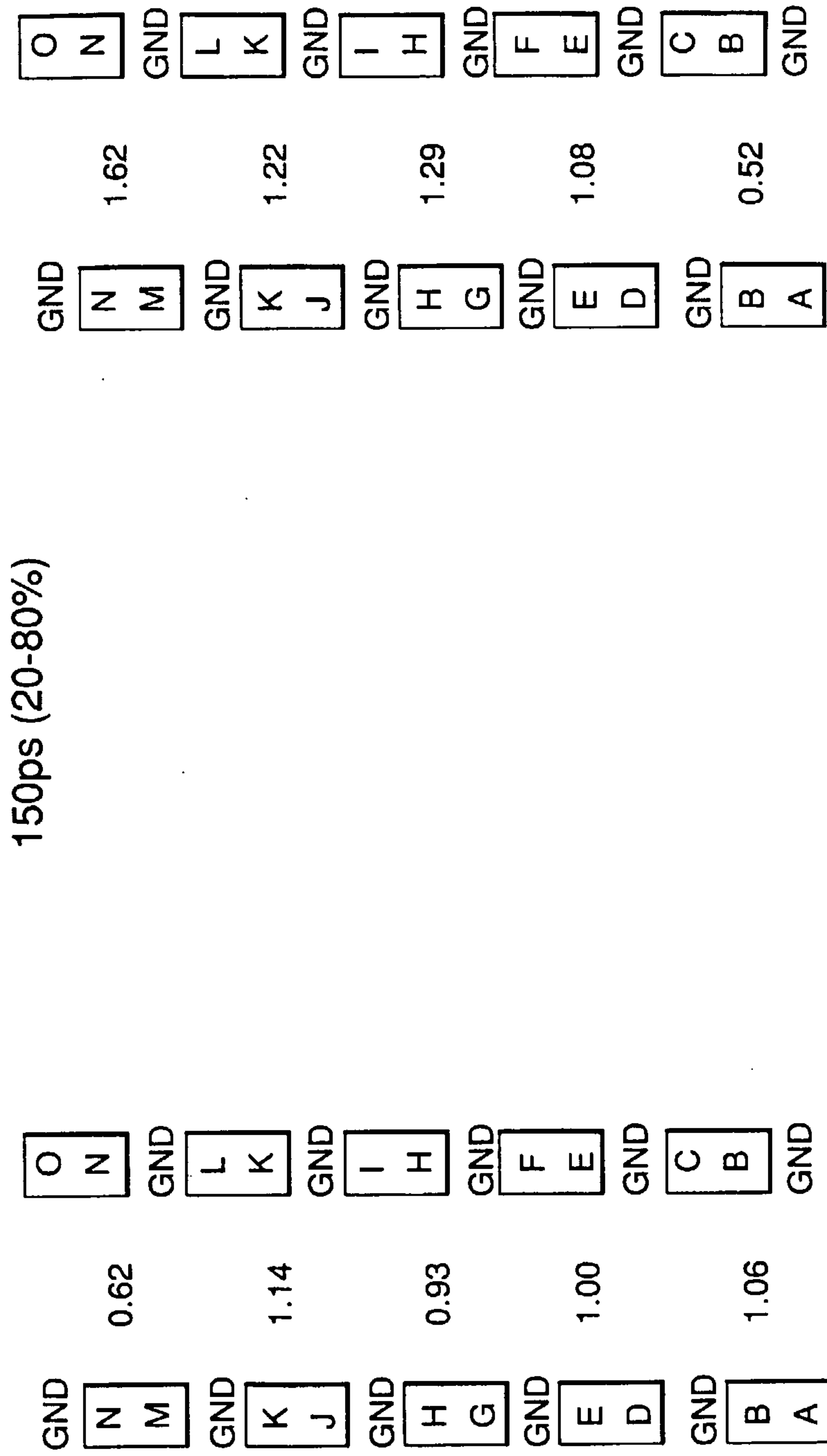


FIG. 45F

Differential IMLA to Single-Ended IMLA Near-End Crosstalk Approximation

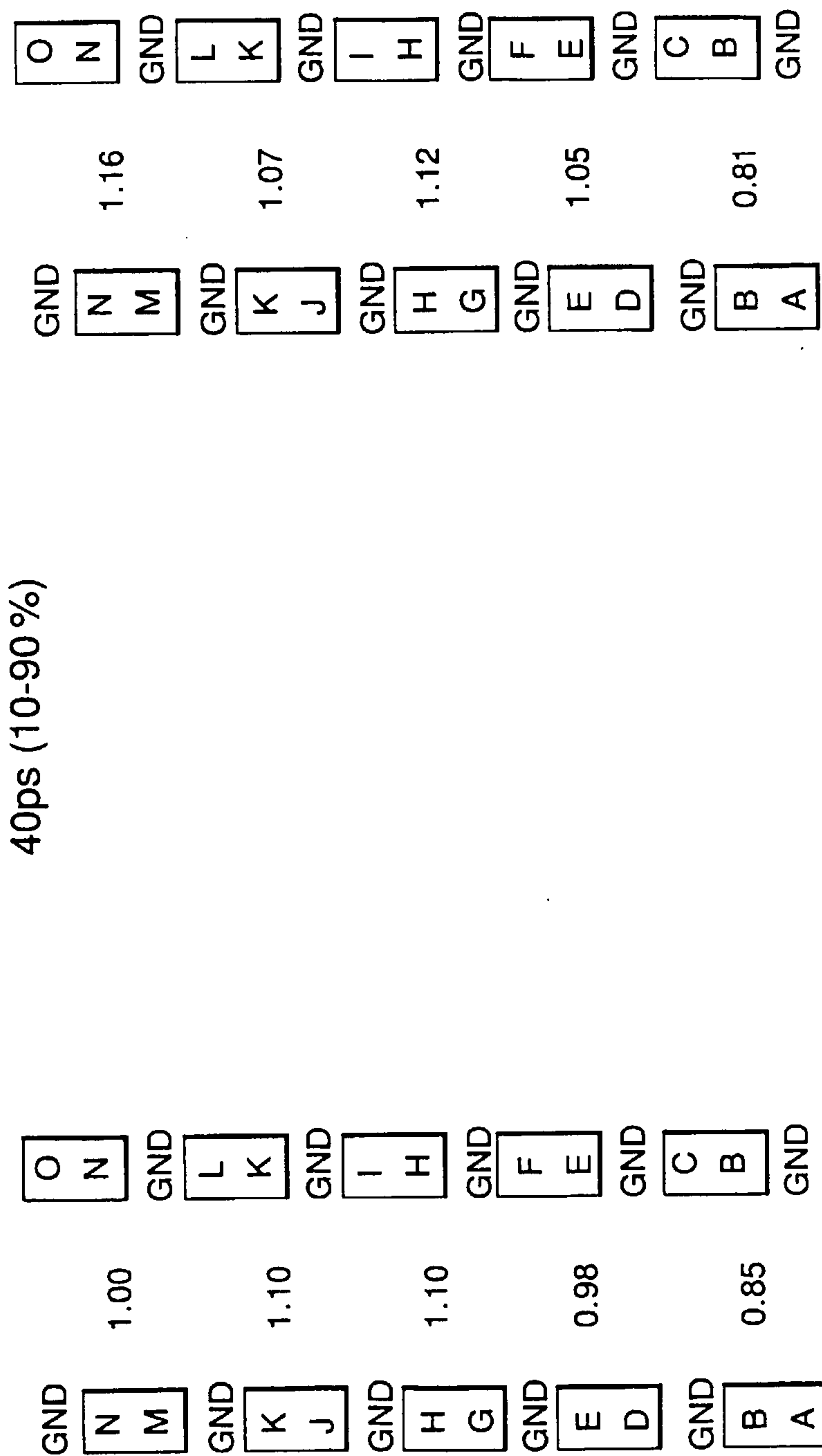


FIG. 46A

64/68

Differential IMLA to Single-Ended IMLA Far-End Crosstalk Approximation

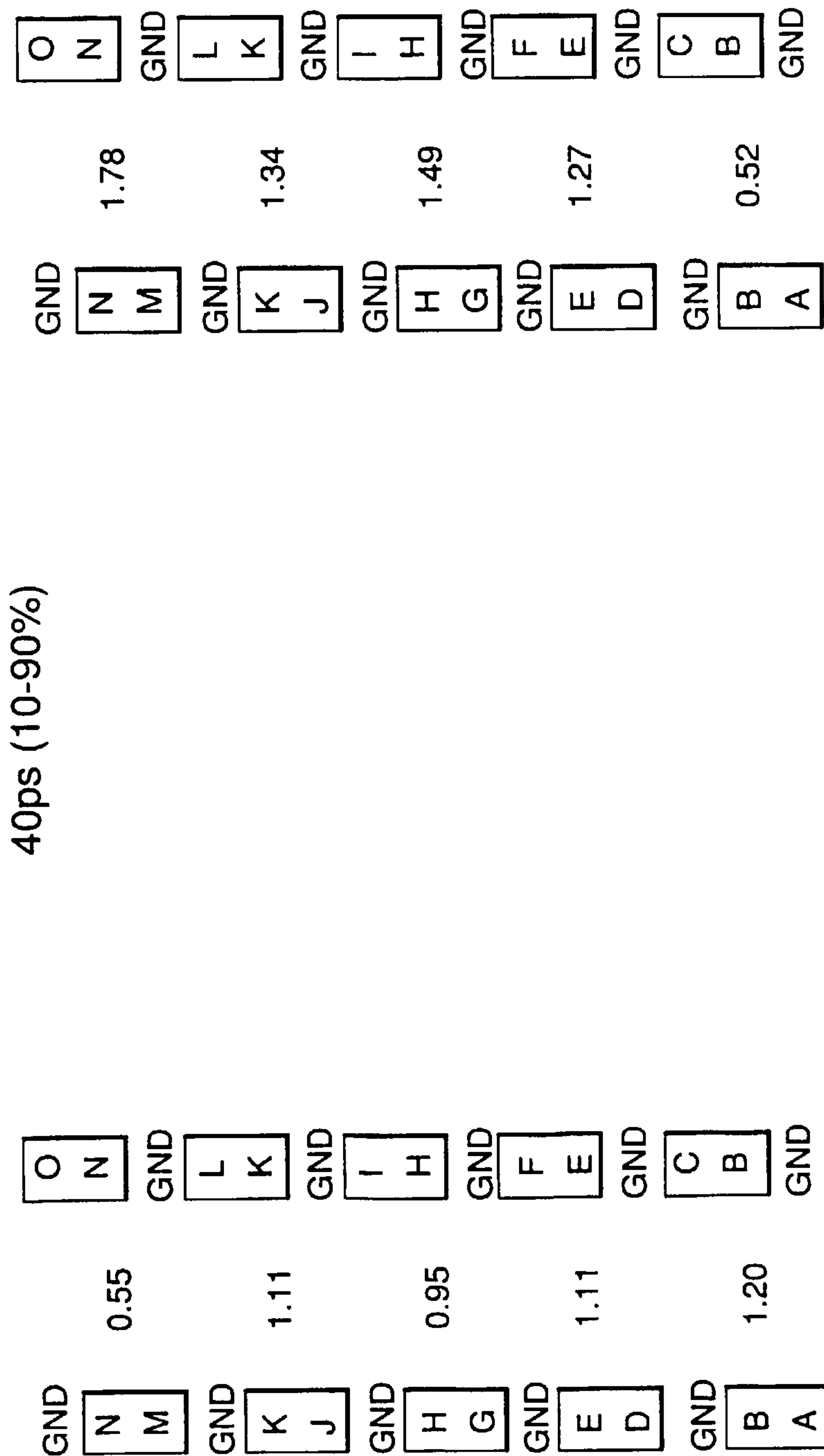


FIG. 46B

65/68

Differential IMLA to Single-Ended IMLA
Near-End Crosstalk Approximation

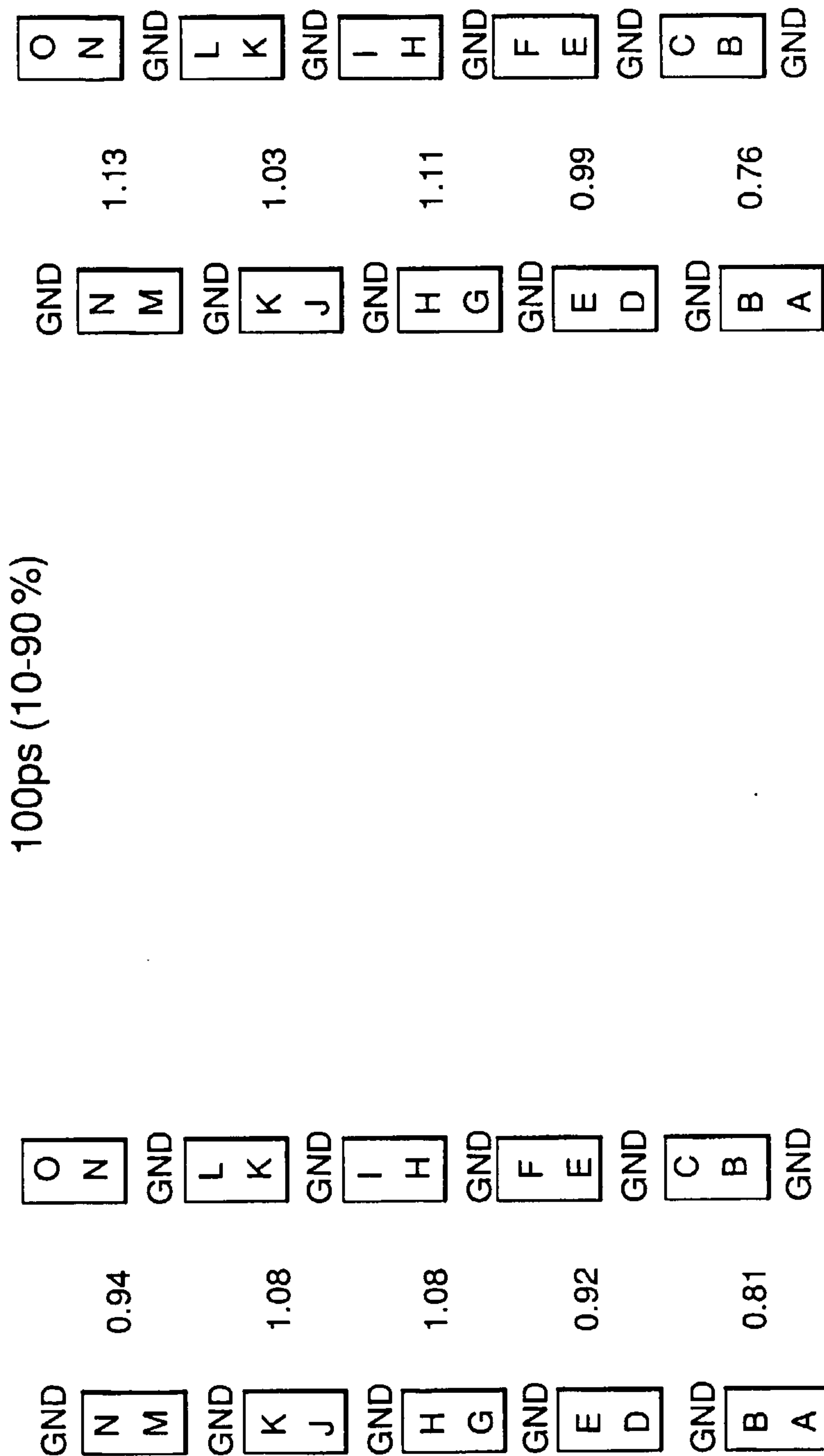


FIG. 46C

Differential IMLA to Single-Ended IMLA Far-End Crosstalk Approximation

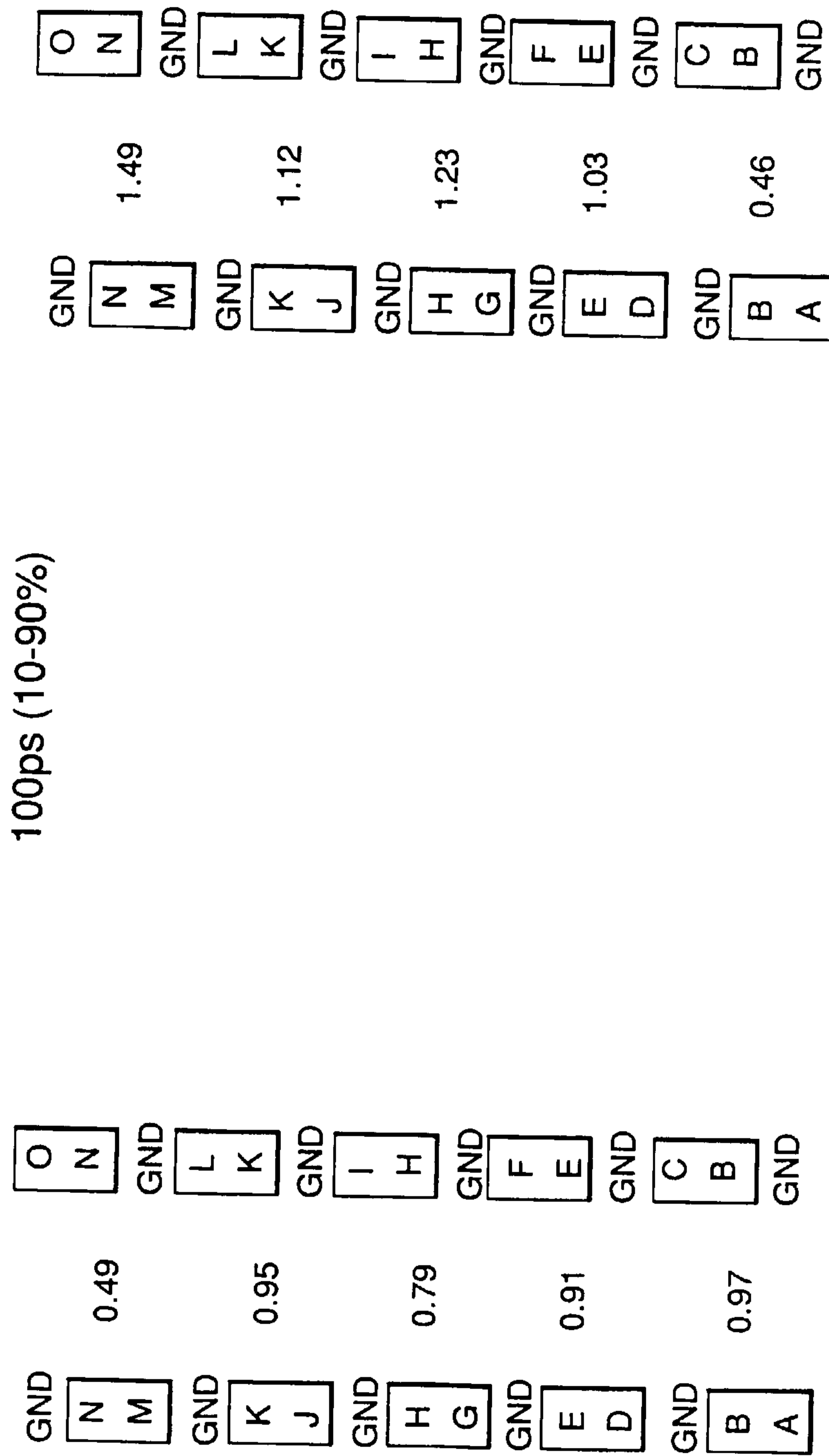


FIG. 46D

67/68

Differential IMLA to Single-Ended IMLA Near-End Crosstalk Approximation

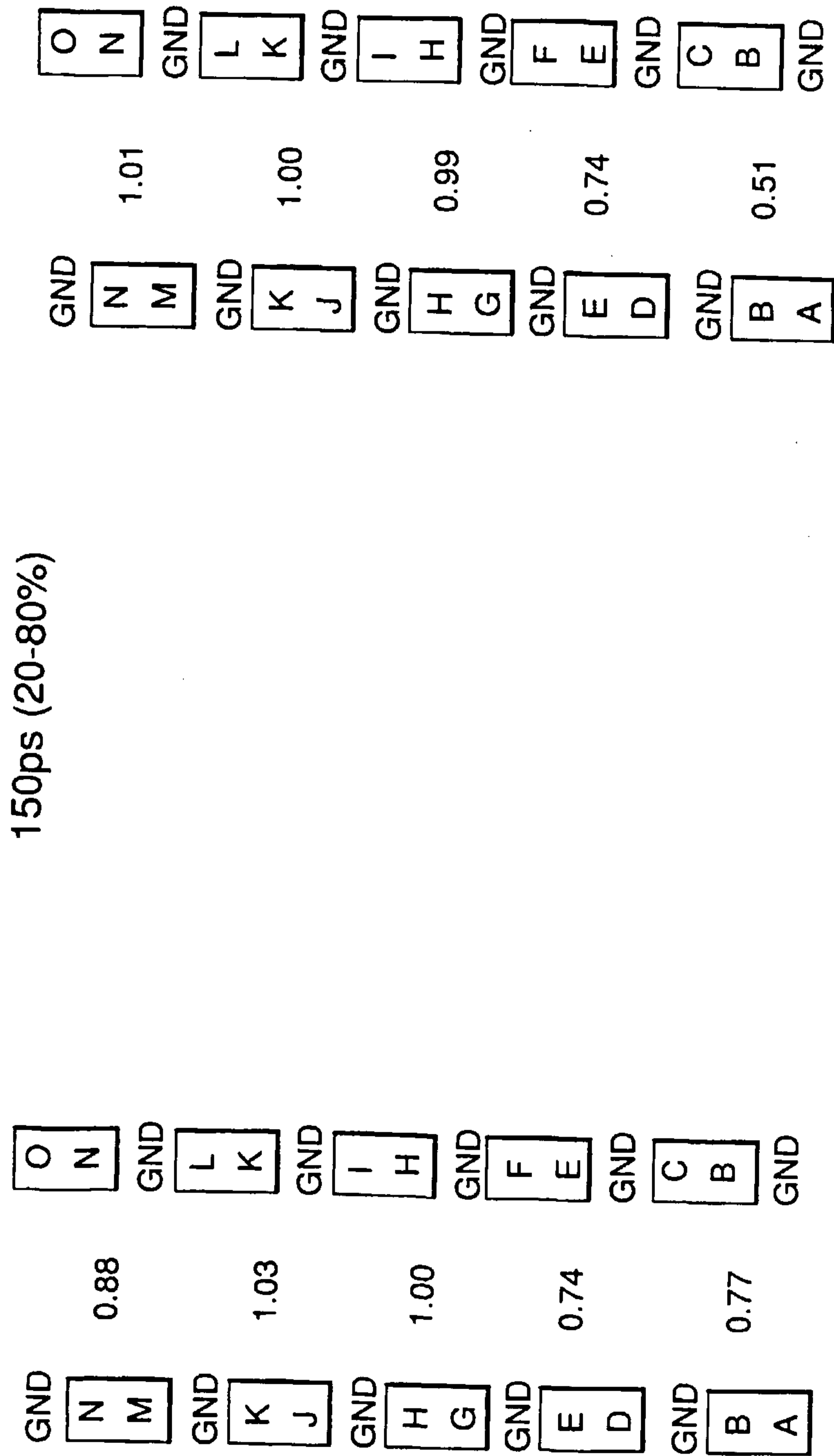


FIG. 46E

Differential IMLA to Single-Ended IMLA Far-End Crosstalk Approximation

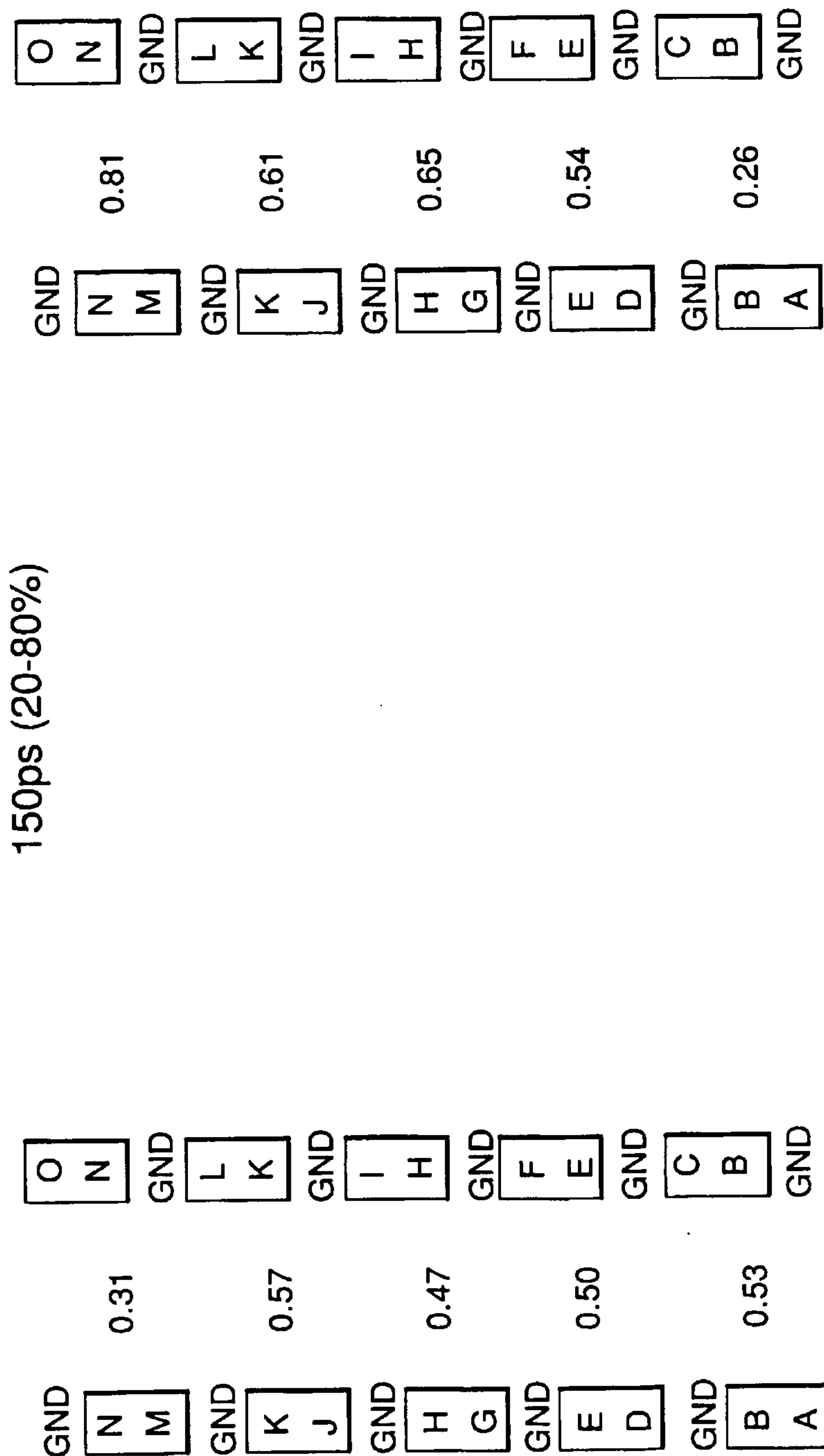
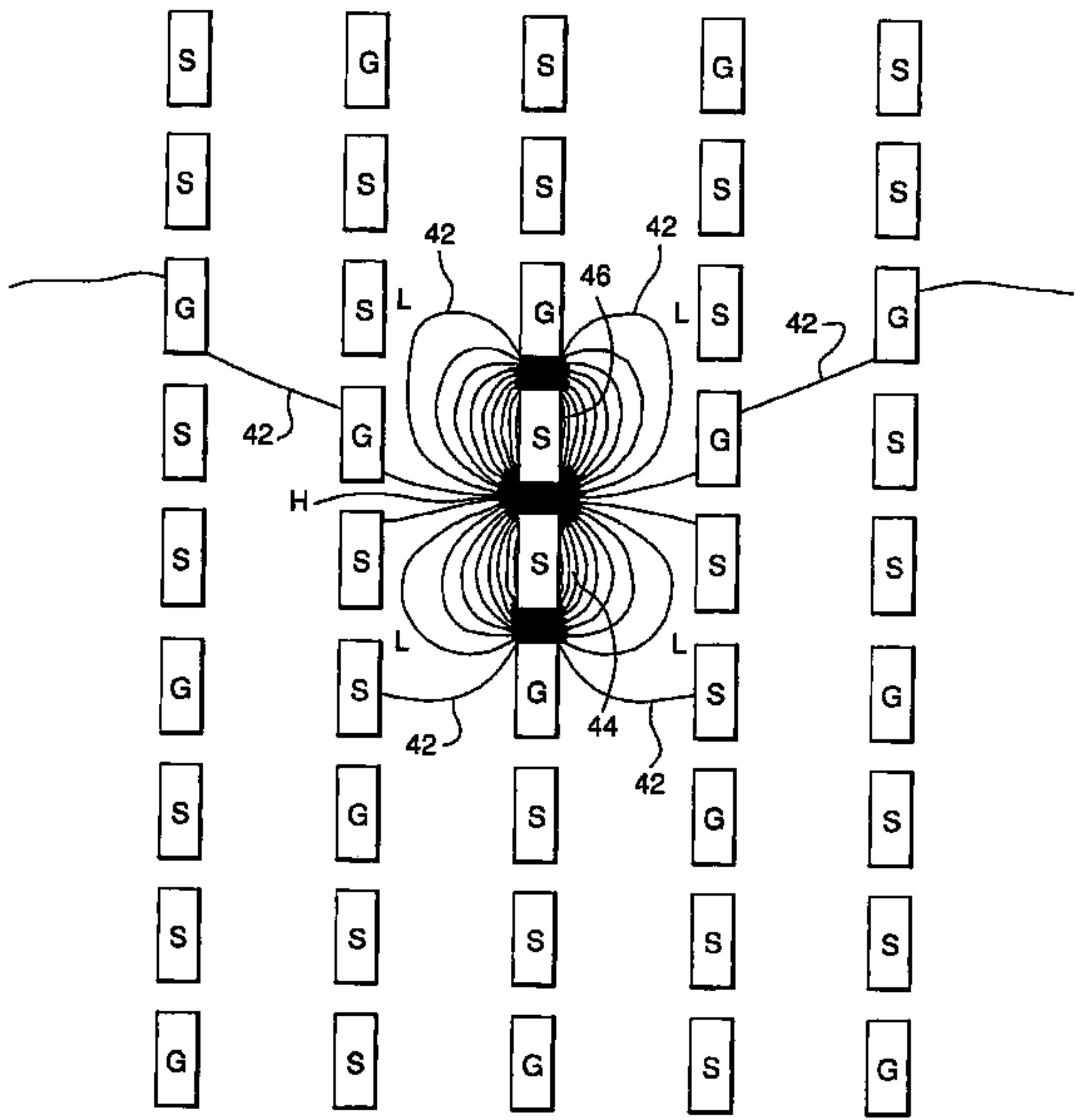
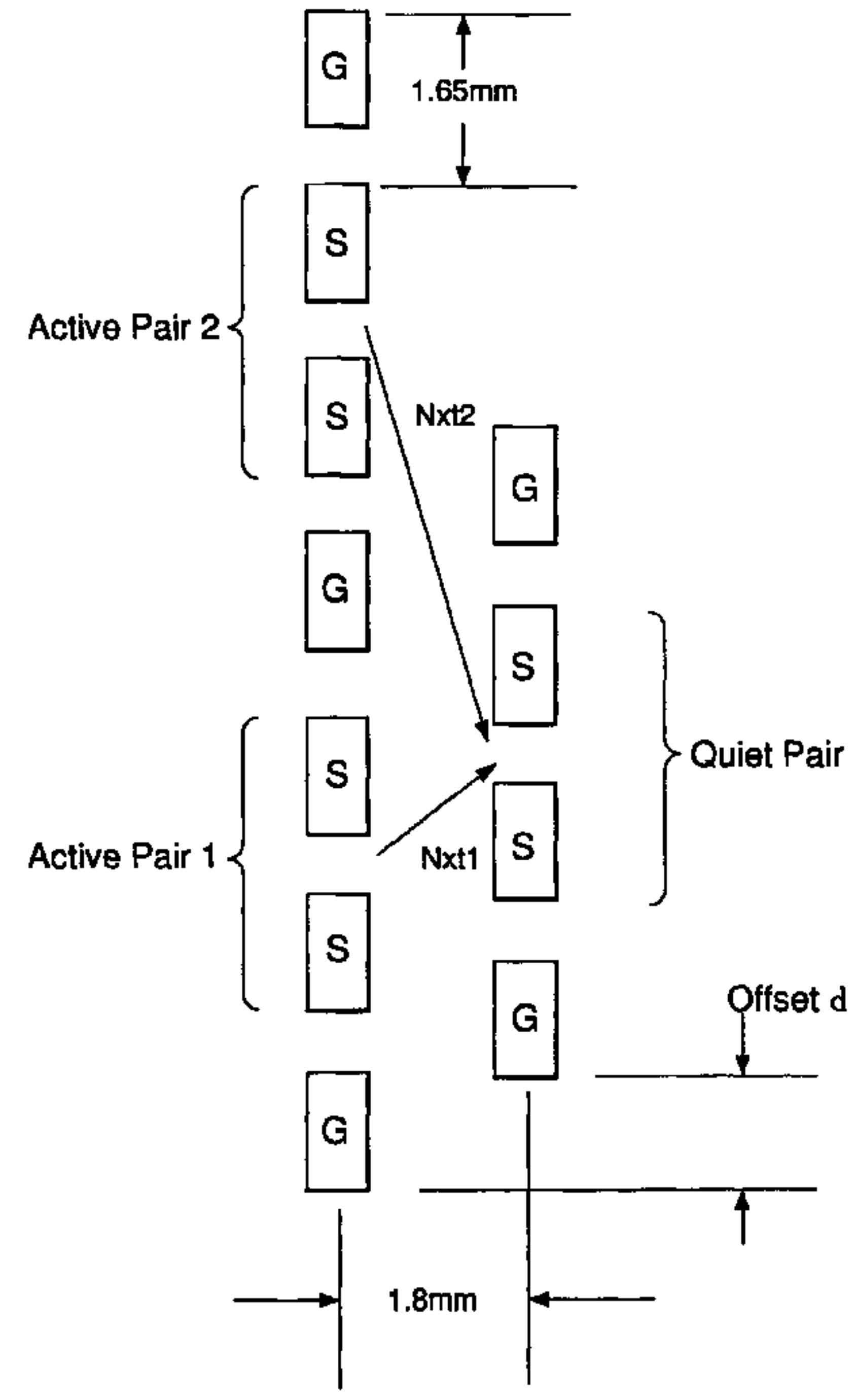


FIG. 46F



B



A