



US0D1002934S

(12) **United States Design Patent**
Ernotte

(10) **Patent No.:** **US D1,002,934 S**

(45) **Date of Patent:** **** Oct. 24, 2023**

(54) **HAIR DRYER**

(71) Applicant: **BABYLISS FACO SRL**, Wandre (BE)

(72) Inventor: **Aubry Ernotte**, Theux (BE)

(73) Assignee: **BABYLISS FACO SRL**, Wandre (BE)

(**) Term: **15 Years**

(21) Appl. No.: **35/514,473**

(22) Filed: **May 24, 2022**

(80) **Hague Agreement Data**

Int. Filing Date: **May 24, 2022**
Int. Reg. No.: **DM/221234**
Int. Reg. Date: **May 24, 2022**
Int. Reg. Pub. Date: **Jun. 17, 2022**

(30) **Foreign Application Priority Data**

Dec. 10, 2021 (EM) 008794382-0004

(51) **LOC (14) Cl.** **28-03**

(52) **U.S. Cl.**
USPC **D28/13**

(58) **Field of Classification Search**

USPC D28/12-19; D8/29.1
CPC A45D 20/00; A45D 20/04; A45D 20/08;
A45D 20/10; A45D 20/12; A45D
2020/128

See application file for complete search history.

(56) **References Cited**

U.S. PATENT DOCUMENTS

D543,313	S	*	5/2007	Petrucelli, Jr.	D28/13
D544,645	S	*	6/2007	Ceva	D28/13
D678,607	S	*	3/2013	Parodi	D28/13
D715,485	S	*	10/2014	Parodi	A45D 20/12
						D28/13
D899,683	S	*	10/2020	Brady	D28/13
D901,764	S	*	11/2020	Huang	D28/13
D931,532	S	*	9/2021	de Gouzellon de Belizal	D28/13

* cited by examiner

Primary Examiner — Zenia I Bennett

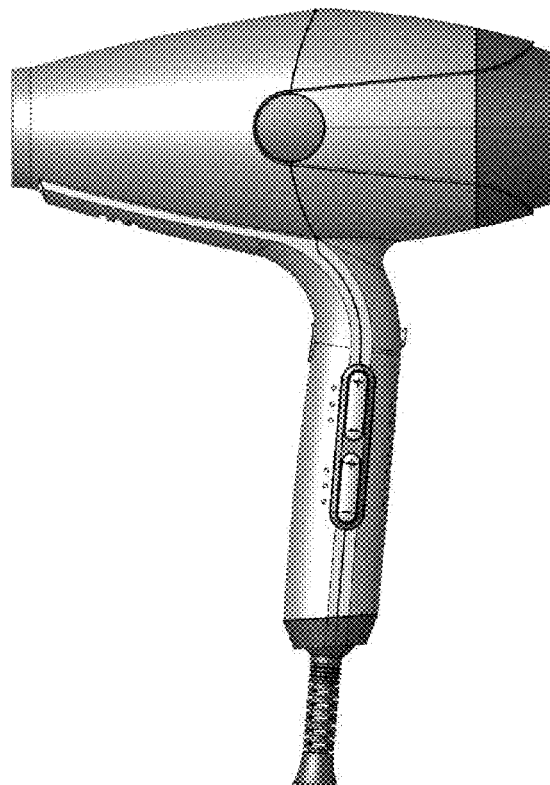
(57) **CLAIM**

The ornamental design for a hair dryer, as shown and described.

DESCRIPTION

1. Hair dryer
Fig. 1.1 is a perspective view;
Fig. 1.2 is a rear elevation view;
Fig. 1.3 is a front elevation view;
Fig. 1.4 is a bottom plan view;
Fig. 1.5 is a top plan view;
Fig. 1.6 is a side elevation view;
Fig. 1.7 is a rear perspective view;
Fig. 1.8 is another side view.

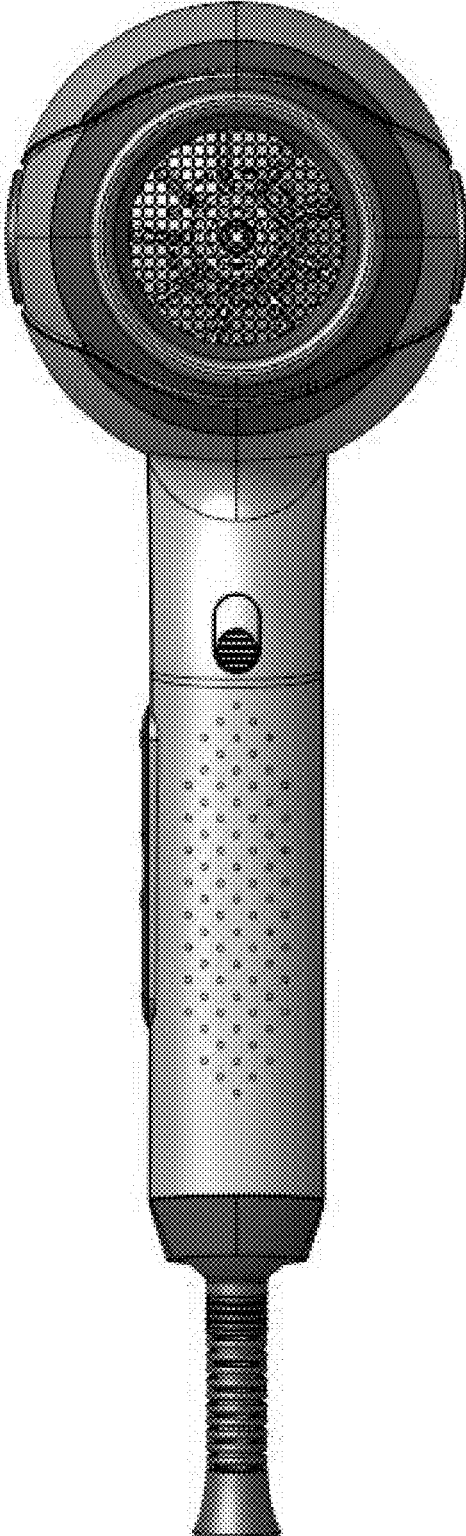
1 Claim, 8 Drawing Sheets



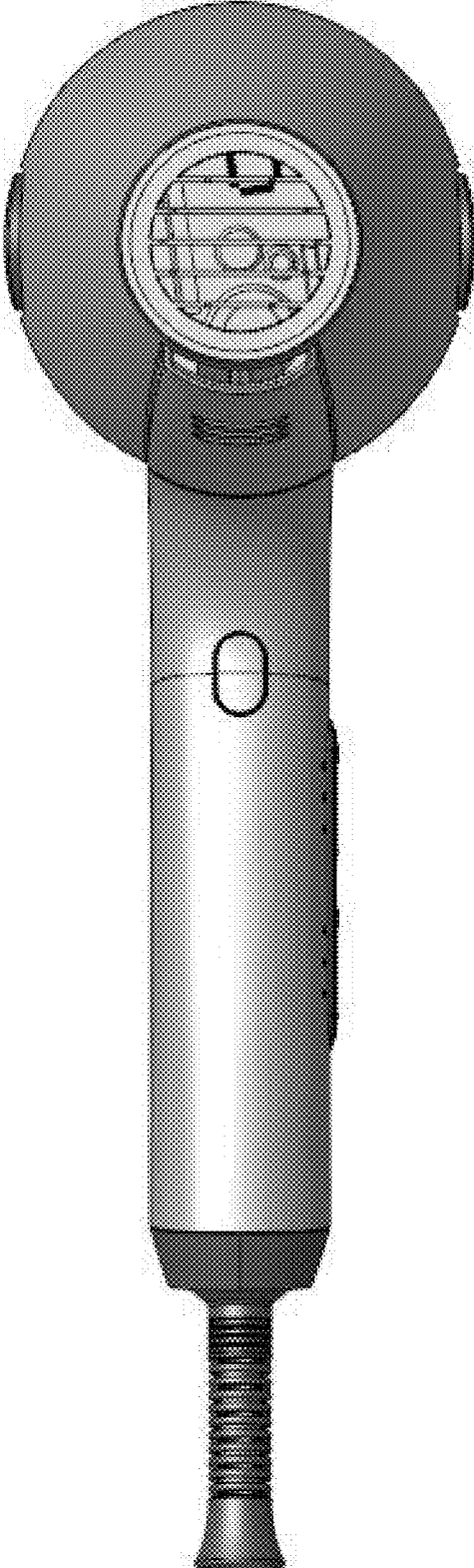
1.1



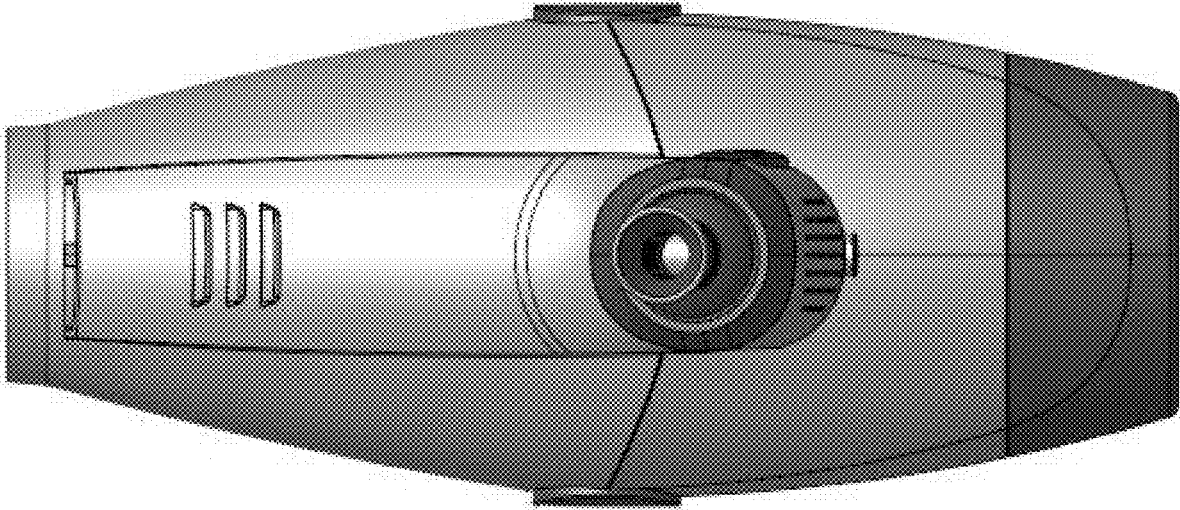
1.2



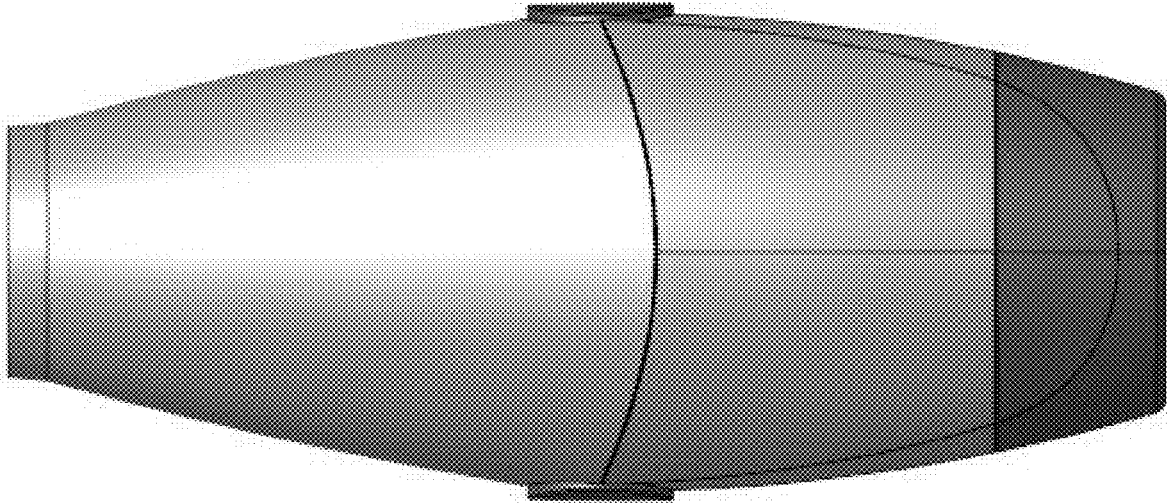
1.3



1.4



1.5



1.6



1.7



1.8

