



US00D626124S

(12) **United States Design Patent**
Chyan et al.

(10) **Patent No.:** **US D626,124 S**

(45) **Date of Patent:** **** Oct. 26, 2010**

(54) **E-BOOK READER**

(75) Inventors: **Yu-Hou Chyan**, Taipei Hsien (TW);
Teh-Shen Lee, Taipei Hsien (TW)

(73) Assignee: **Hon Hai Precision Industry Co., Ltd.**,
Tu-Cheng, Taipei Hsien (TW)

(**) Term: **14 Years**

(21) Appl. No.: **29/355,186**

(22) Filed: **Feb. 3, 2010**

(30) **Foreign Application Priority Data**

Dec. 3, 2009 (CN) 2009 3 0327806

(51) **LOC (9) Cl.** **14-02**

(52) **U.S. Cl.** **D14/341**

(58) **Field of Classification Search** D14/341-347,
D14/137, 138, 138.1, 138 AA, 138 R, 138 AB,
D14/138 AC, 138 AD, 138 C, 138 G, 496,
D14/203.1, 203.3, 203.4, 203.5, 203.6, 203.7,
D14/426, 427, 428, 432, 429, 129, 130, 420,
D14/439-441, 448, 125, 147, 156, 218, 247-248,
D14/250, 389, 336; D10/65, 104; D18/6-7;
D21/29, 686, 33, 324, 329, 330; D6/596,
D6/601, 605; D19/60; 345/169, 901, 905;
348/169; 361/814; 341/122; 346/173; 379/433.04,
379/433.07, 433.11, 433.12, 433.13, 910,
379/916, 433.01, 433.06

See application file for complete search history.

(56) **References Cited**

U.S. PATENT DOCUMENTS

D378,686 S * 4/1997 Proctor et al. D19/60
D391,987 S * 3/1998 Jambhekar et al. D14/345
6,512,497 B1 * 1/2003 Kondo et al. 345/1.1

D493,463 S * 7/2004 Takahashi D14/373
D517,545 S * 3/2006 Buckel et al. D14/345
D588,126 S * 3/2009 Chiang et al. D14/345
D606,993 S * 12/2009 Watson et al. D14/341
D610,612 S * 2/2010 Rhee D19/26
7,705,799 B2 * 4/2010 Niwa 345/1.1
D615,538 S * 5/2010 Huang et al. D14/315
D618,683 S * 6/2010 Wilson et al. D14/371
2008/0253073 A1 * 10/2008 Kee et al. 361/681
2010/0149104 A1 * 6/2010 Sim et al. 345/169

OTHER PUBLICATIONS

www.pcworld.com; Jan. 9, 2010; MSI's Dual-display Windows
7-based netbook prototype; accessed Jun. 29, 2010.*

* cited by examiner

Primary Examiner—Cathron C Brooks

Assistant Examiner—Barbara Fox

(74) *Attorney, Agent, or Firm*—Zhigang Ma

(57) **CLAIM**

The ornamental design for a e-book reader, as shown and
described.

DESCRIPTION

FIG. 1 is a perspective view of an e-book reader showing our
new design;

FIG. 2 is a front elevational view thereof;

FIG. 3 is a rear elevational view thereof;

FIG. 4 is a left side elevational view thereof;

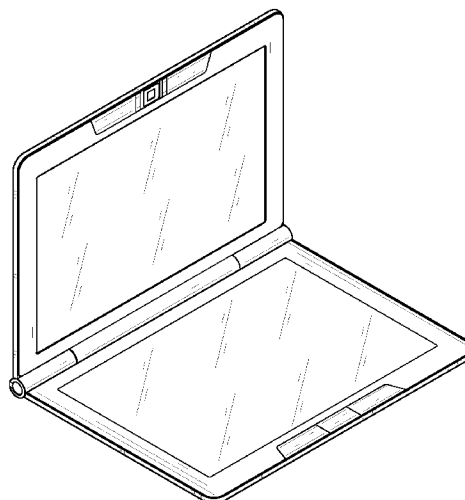
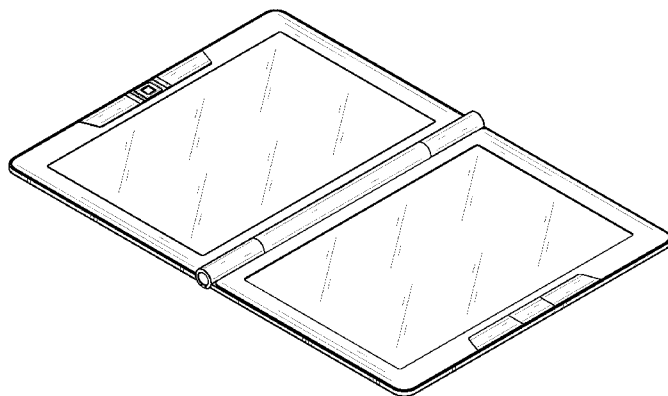
FIG. 5 is a right side elevational view thereof;

FIG. 6 is a top plan view thereof;

FIG. 7 is a bottom plan view thereof; and,

FIG. 8 is a perspective view thereof, showing the e-book
reader in an alternate open position.

1 Claim, 8 Drawing Sheets



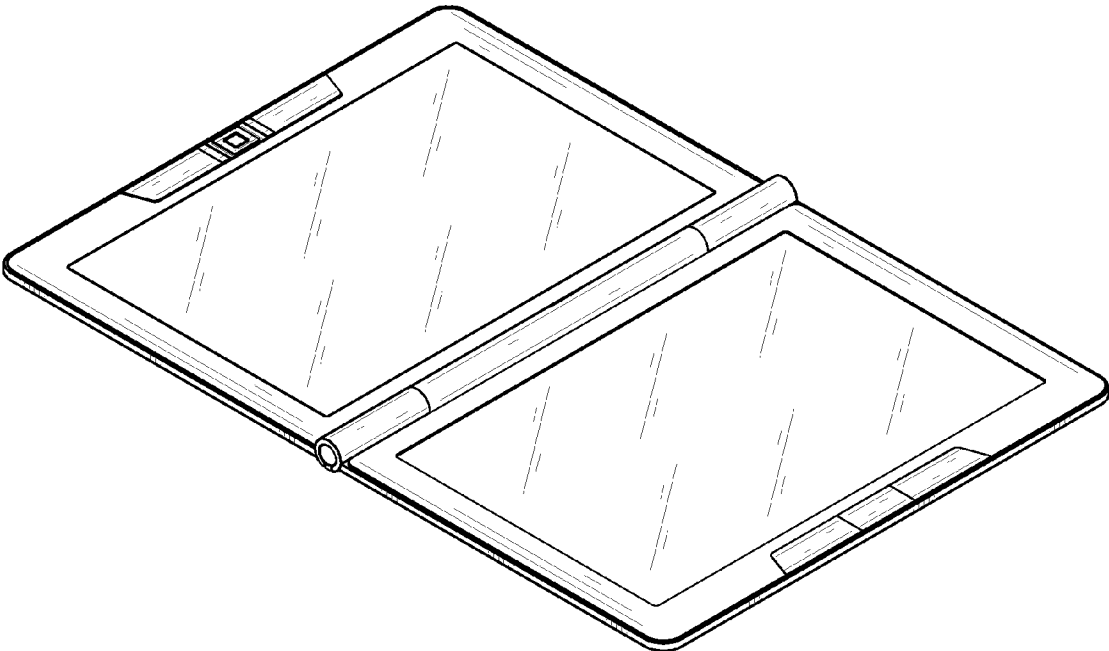


FIG. 1

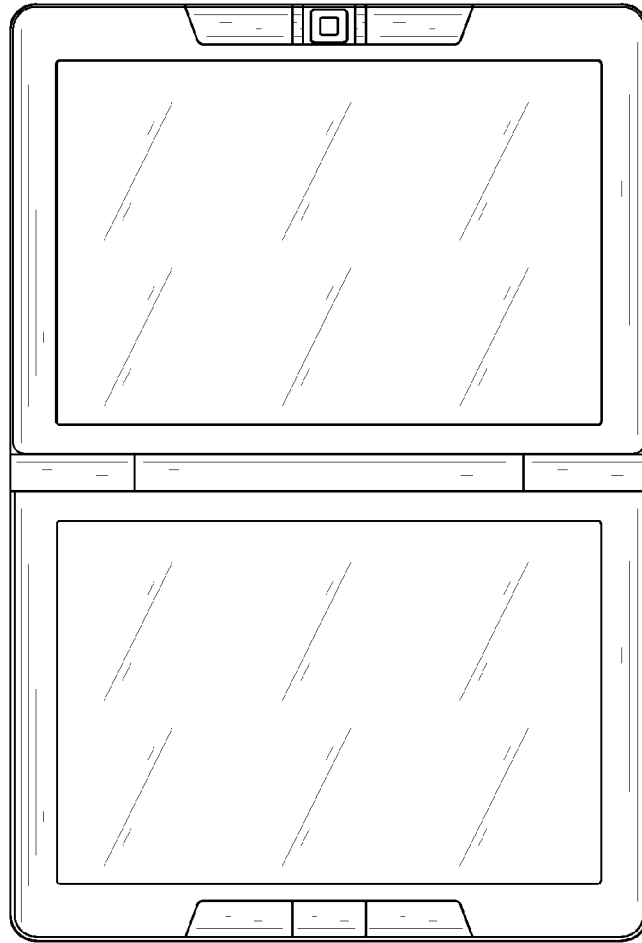


FIG. 2

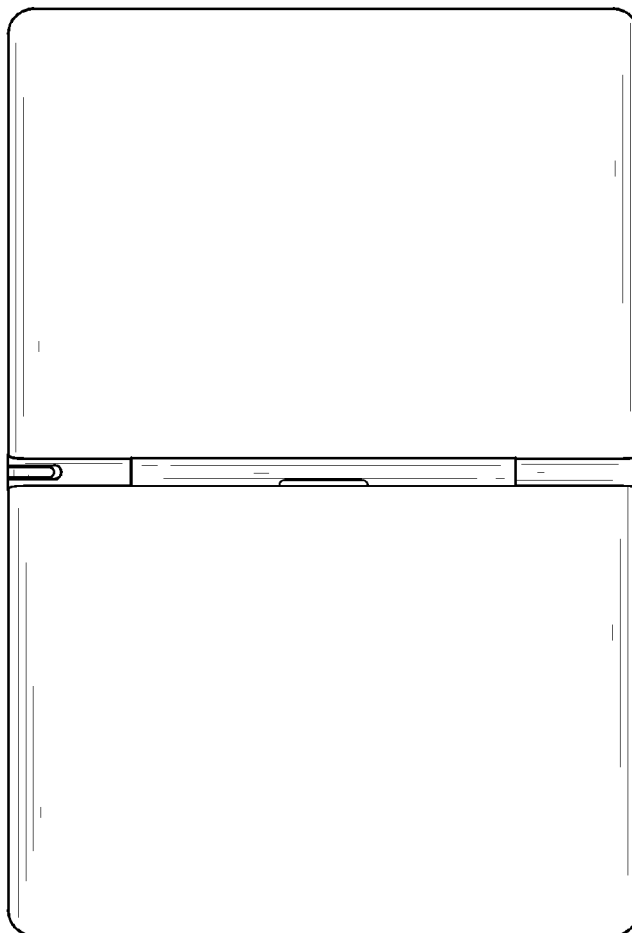


FIG. 3



FIG. 4



FIG. 5

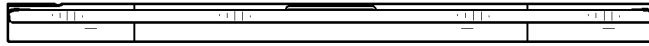


FIG. 6

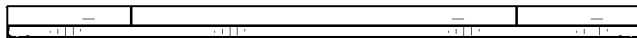


FIG. 7

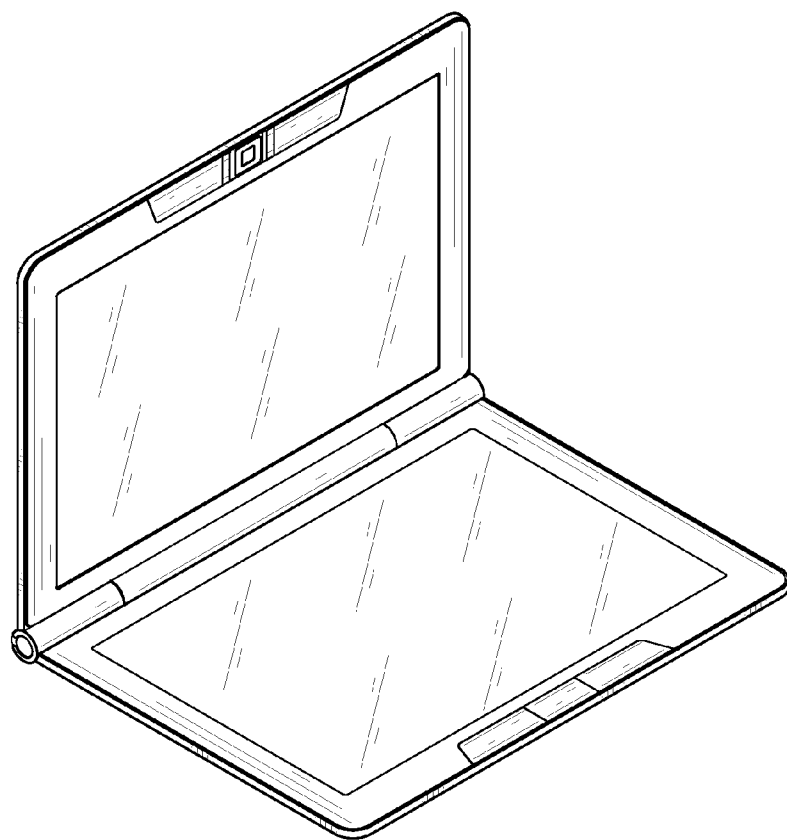


FIG. 8