



US00D911102S

(12) **United States Design Patent**
Öztürk

(10) **Patent No.:** **US D911,102 S**

(45) **Date of Patent:** **** Feb. 23, 2021**

(54) **LID FOR CANS**

(71) Applicant: **Wrap4You GmbH Co KG**, Bürs (AT)

(72) Inventor: **Ismail Öztürk**, Bludenz (AT)

(73) Assignee: **Wrap4You GmbH Co KG**, Buers (AT)

(**) Term: **15 Years**

(21) Appl. No.: **35/507,878**

(22) Filed: **Jul. 18, 2019**

(80) **Hague Agreement Data**

Int. Filing Date: **Jul. 18, 2019**

Int. Reg. No.: **DM/204201**

Int. Reg. Date: **Jul. 18, 2019**

Int. Reg. Pub. Date: **Nov. 29, 2019**

(51) **LOC (13) Cl.** **07-01**

(52) **U.S. Cl.**

USPC **D7/392.1**; D9/452

(58) **Field of Classification Search**

USPC D7/392.1, 396.2; D9/434, 435, 440, 447,
D9/449, 499, 452-454

CPC A47G 21/18; A61J 7/0038; B65D
2517/0049

See application file for complete search history.

(56) **References Cited**

U.S. PATENT DOCUMENTS

D256,673 S * 9/1980 Hoyt D9/443
D770,279 S * 11/2016 Strachan D9/447
D782,303 S * 3/2017 Strachan D9/435
9,868,571 B2 * 1/2018 Strachan A47G 19/2272
D871,834 S * 1/2020 Sarnoff D7/392.1

D875,525 S * 2/2020 Griffis D9/443
D894,683 S * 9/2020 Pola D7/507
2015/0251818 A1* 9/2015 Strachan B65D 47/265
220/254.8

OTHER PUBLICATIONS

Grainger. 7/8" Polyethylene Round Storage Container Lid, Yellow. No date specified. <https://bit.ly/3044XO6> (Year: 0).
Paper Cans Packaging. 211# black round reusable plastic PE lid / cover For paper tin cans. No date specified. <http://www.papercanspackaging.com/sale-2135703-211-black-round-reusable-plastic-pe-lid-cover-for-paper-tin-cans.html> (Year: 0).
Paper cans Packaging. Reusable 0.25mm Thickness PE Lid / Cylinder Or Round Plastic Tin Can Covers. No date specified. <http://papercanspackaging.sell.everychina.com/p-109030180-reusable-0-25m-thickness-pe-lid-cylinder-or-round-plastic-tin-can-covers.html> (Year: 0).*

* cited by examiner

Primary Examiner — Darcey E Gottschalk

(74) *Attorney, Agent, or Firm* — Collard & Roe, P.C.

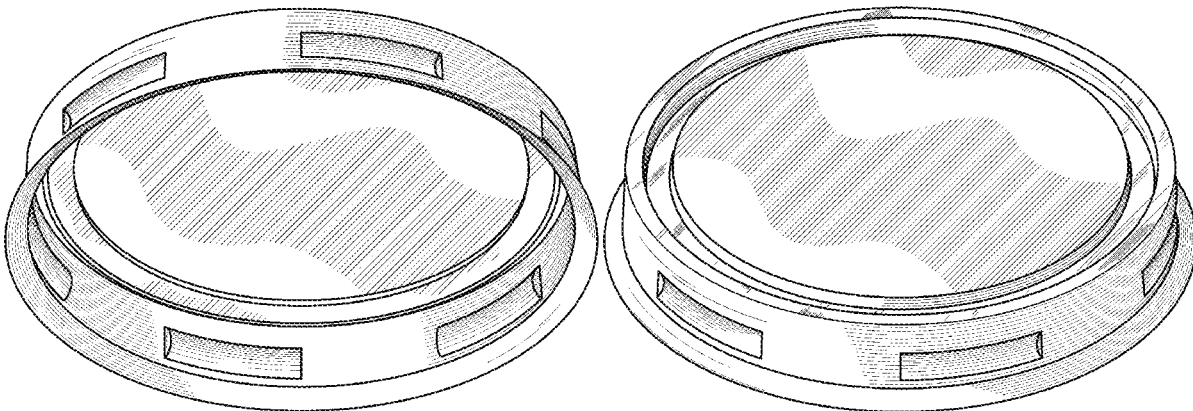
(57) **CLAIM**

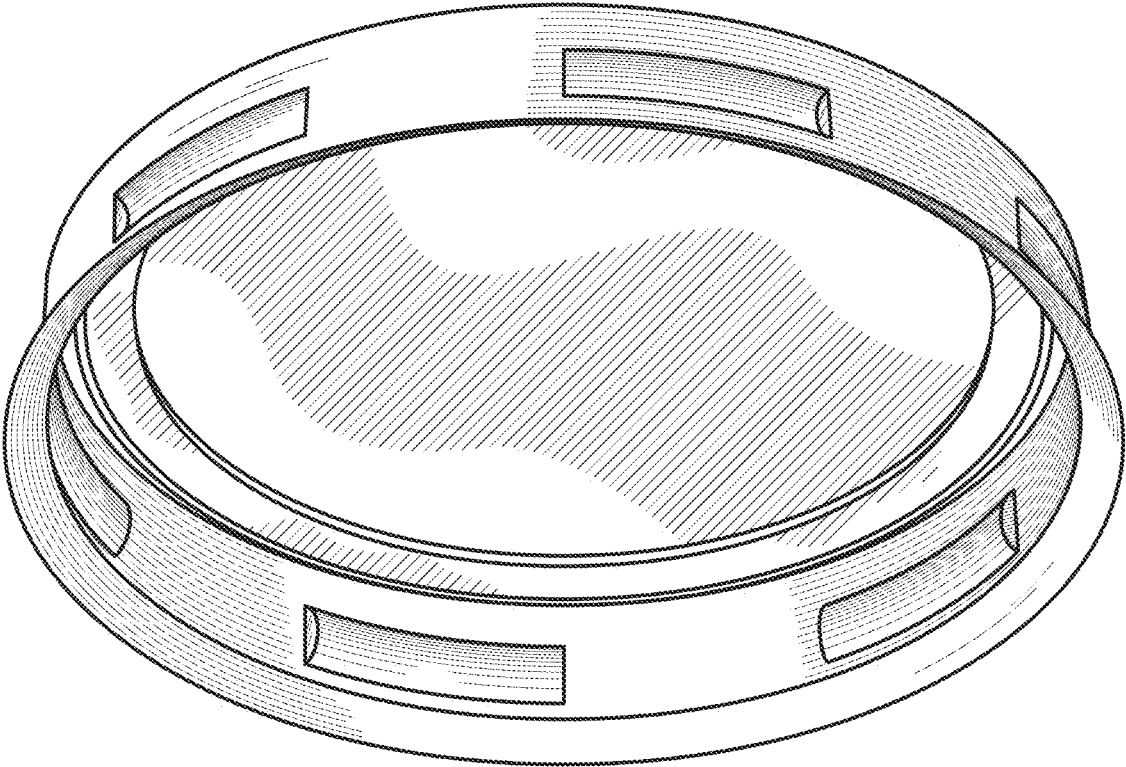
The ornamental design for lid for cans, as shown and described.

DESCRIPTION

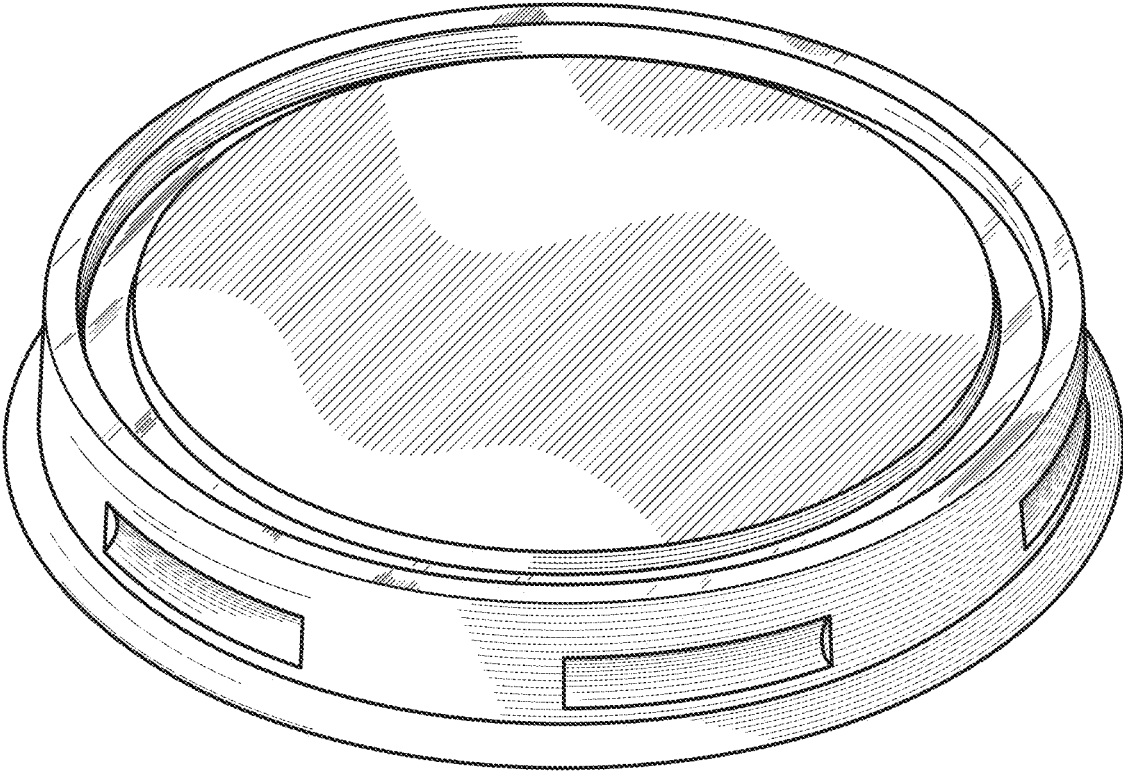
- 1. Lid for cans
- 1.1 : Perspective 1
- 1.2 : Perspective 2
- 1.3 : Front
- 1.4 : Right
- 1.5 : Left
- 1.6: Back
- 1.7:Top
- 1.8: Bottom

1 Claim, 8 Drawing Sheets

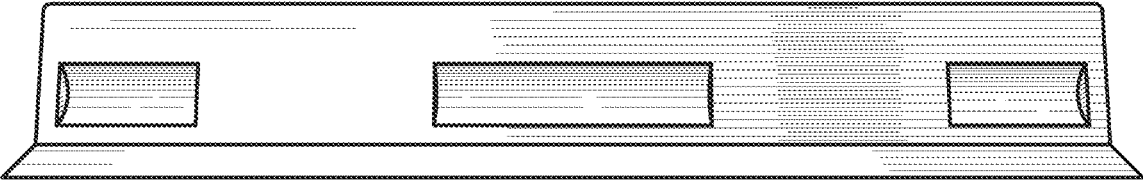




1.1



1.2



1.3



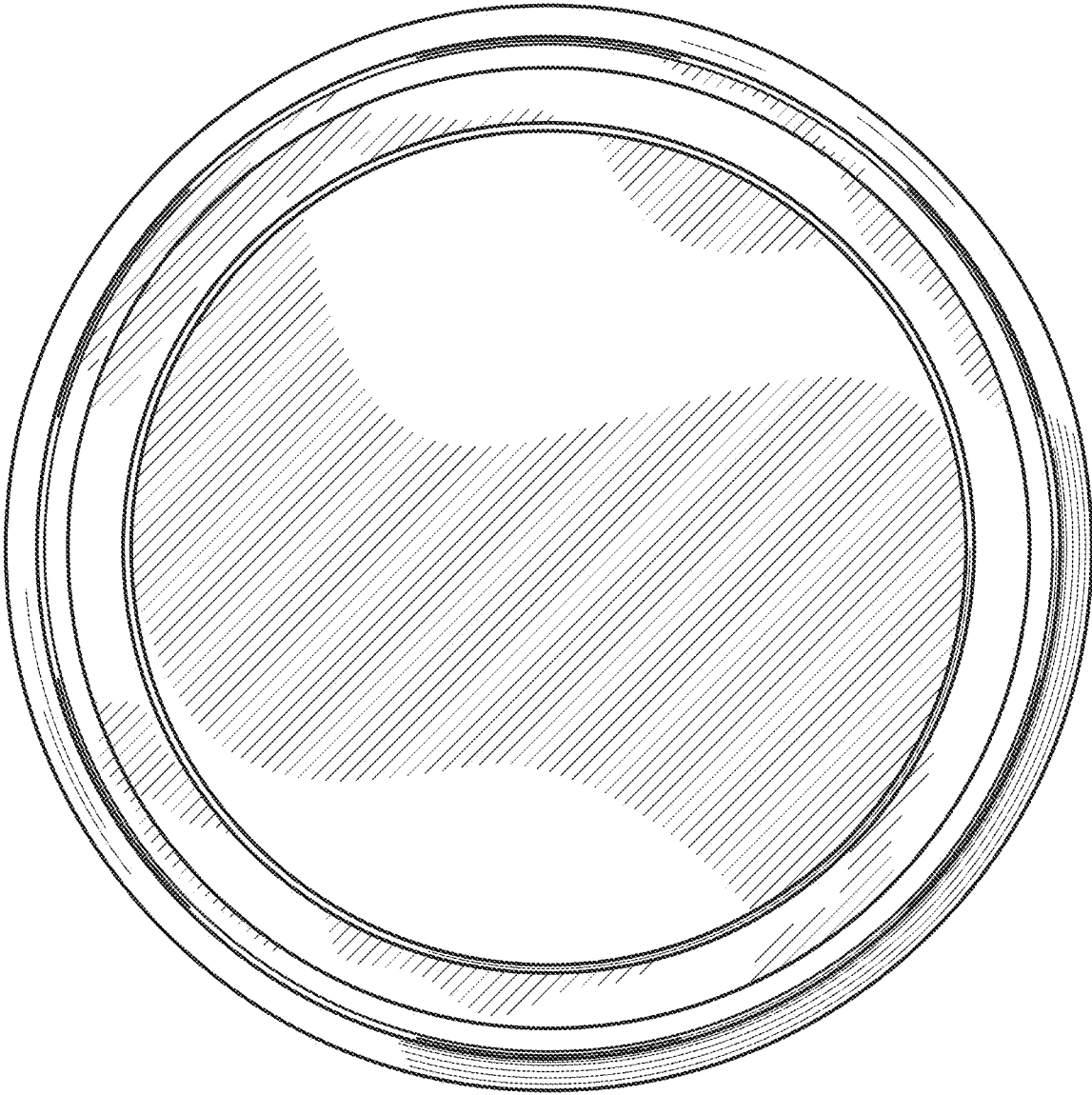
1.4



1.5



1.6



1.7

