



US00D873373S

(12) **United States Design Patent**
Hartman et al.

(10) **Patent No.:** **US D873,373 S**

(45) **Date of Patent:** **** Jan. 21, 2020**

(54) **PERFORATING GUN CONTACT DEVICE**

6,055,213 A * 4/2000 Rubbo E21B 41/00
175/40

(71) Applicant: **OSO Perforating, LLC**, Oklahoma City, OK (US)

D477,554 S 7/2003 Keefer et al.
D479,736 S * 9/2003 Sanner D22/116
6,851,471 B2 2/2005 Barlow et al.

(72) Inventors: **Tobias D. Hartman**, Irving, TX (US);
Jeremy J. Ursi, Carrollton, TX (US)

(Continued)

(73) Assignee: **OSO Perforating, LLC**, Oklahoma City, OK (US)

FOREIGN PATENT DOCUMENTS

CA 2834390 A1 * 11/2012 F42C 11/06
WO WO2016186611 A1 11/2016
WO WO2018030996 A1 2/2018

(**) Term: **15 Years**

Primary Examiner — Brett Miller
Assistant Examiner — Fitzgerald L Butac

(21) Appl. No.: **29/657,525**

(74) *Attorney, Agent, or Firm* — Fish & Richardson P.C.

(22) Filed: **Jul. 23, 2018**

(51) **LOC (12) Cl.** **22-03**

(52) **U.S. Cl.**
USPC **D22/112**

(58) **Field of Classification Search**
USPC D8/354, 358, 382; D12/197; D15/126,
D15/138, 139; D22/100, 112, 115, 119,
D22/199
CPC E21B 43/116; E21B 43/1185; F42D 1/05;
F42D 1/06
See application file for complete search history.

(57) **CLAIM**

The ornamental design for a perforating gun contact device, as shown and described.

DESCRIPTION

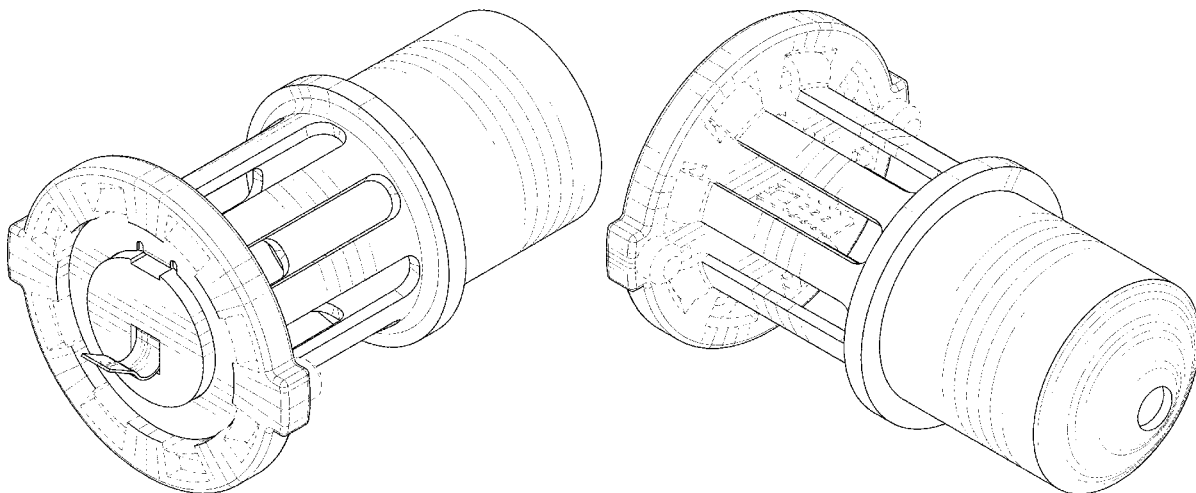
FIG. 1 is a top, left perspective view of a perforating gun contact device according to a first embodiment. FIG. 2 is a top, right perspective view of the perforating gun contact device of FIG. 1. FIG. 3 is a right view of the perforating gun contact device of FIG. 1. FIG. 4 is a left view of the perforating gun contact device of FIG. 1. FIG. 5 is a front view of the perforating gun contact device of FIG. 1. FIG. 6 is a back view of the perforating gun contact device of FIG. 1. FIG. 7 is a top view of the perforating gun contact device of FIG. 1; and, FIG. 8 is a bottom view of the perforating gun contact device of FIG. 1. The broken lines depict unclaimed portions and form no part of the claimed design. Any portions not visible in the drawings form no part of the claimed design.

(56) **References Cited**

U.S. PATENT DOCUMENTS

4,100,978 A * 7/1978 Boop E21B 43/1185
102/306
5,042,594 A * 8/1991 Gonzalez E21B 43/1185
175/4.55
5,347,929 A 9/1994 Lerche et al.
5,531,164 A 7/1996 Mosley
5,603,379 A 2/1997 Henke et al.
5,714,709 A 2/1998 Schillinger et al.
5,780,764 A * 7/1998 Welch F42D 1/043
102/275.4
5,803,175 A 9/1998 Myers, Jr. et al.
D415,813 S * 10/1999 O'Quinn D22/100
D417,252 S * 11/1999 Kay D22/100

1 Claim, 8 Drawing Sheets



(56)

References Cited

U.S. PATENT DOCUMENTS

6,926,087	B1	8/2005	Henke et al.				
D511,366	S	11/2005	Brown				
6,959,765	B2	11/2005	Bell				
D566,640	S	4/2008	Holz et al.				
7,530,397	B2	5/2009	Bell				
7,536,942	B2	5/2009	Bell				
7,698,982	B2	4/2010	Bell				
D647,114	S	10/2011	Pearce et al.				
D647,115	S	10/2011	Pearce et al.				
RE43,120	E	1/2012	Popov				
D653,523	S	2/2012	Wackwitz et al.				
8,136,439	B2	3/2012	Bell				
8,191,445	B2	6/2012	Drivdahl et al.				
8,302,523	B2	11/2012	Bell				
D681,078	S	4/2013	Heo				
D681,704	S	5/2013	Stoyanov				
D682,978	S	5/2013	Benson				
8,770,301	B2	7/2014	Bell				
8,875,787	B2	11/2014	Tassaroli				
9,074,429	B2 *	7/2015	Pearce	E21B 10/02			
9,145,764	B2	9/2015	Burton et al.				
9,175,553	B2	11/2015	McCann et al.				
9,194,219	B1	11/2015	Hardesty et al.				
9,291,040	B1	3/2016	Hardesty et al.				
9,303,961	B1 *	4/2016	Frericks	F42B 1/028			
D760,308	S	6/2016	Krishnegowda et al.				
D761,393	S	7/2016	Crochet et al.				
D765,214	S	8/2016	Peadgett				
D766,704	S	9/2016	Hill				
9,441,465	B2	9/2016	Tassaroli				
D775,933	S	1/2017	Hill				
D775,934	S	1/2017	Hill				
D782,180	S *	3/2017	Eberhard	D3/18			
D792,549	S *	7/2017	McKillips	D22/108			
9,702,680	B2	7/2017	Parks et al.				
D795,606	S	8/2017	Cudworth				
D795,682	S	8/2017	Downs				
D797,168	S	9/2017	Ruan				
9,752,421	B2	9/2017	LeGrange et al.				
D799,702	S	10/2017	Wong et al.				
D805,878	S	12/2017	Rassat				
D805,883	S	12/2017	Evitt				
D805,884	S	12/2017	Evitt				
D805,885	S	12/2017	Karmarkar et al.				
D807,461	S *	1/2018	Cheng	D22/108			
D816,005	S	4/2018	Johns et al.				
D820,823	S	6/2018	Ahn				
D824,479	S	7/2018	Jen				
D825,643	S	8/2018	Wengreen				
D829,080	S	9/2018	Hill				
D832,094	S *	10/2018	Omori	D8/397			
D832,898	S	11/2018	Wetherell				
D834,074	S	11/2018	Palushaj et al.				
D834,077	S	11/2018	Monden				
D834,078	S	11/2018	Monden				
D834,368	S	11/2018	Oas				
D844,682	S	4/2019	Karol et al.				
D845,358	S	4/2019	Geldenhuys et al.				
D845,745	S	4/2019	Kasahara				
D846,008	S	4/2019	Geldenhuys et al.				
10,244,914	B2	4/2019	Tchakarov				
2007/0164031	A1 *	7/2007	Holz	B60K 15/0406 220/300			
2007/0169524	A1	7/2007	Tharp et al.				
2012/0199352	A1 *	8/2012	Lanclos	E21B 43/1185 166/297			
2013/0000472	A1 *	1/2013	Mhaskar	E21B 43/117 89/1.151			
2013/0174755	A1	7/2013	DeVries et al.				
2015/0226044	A1 *	8/2015	Ursi	E21B 43/119 166/55			
2016/0002985	A1	1/2016	Baudoin et al.				
2016/0263993	A1	9/2016	Loffink				
2016/0290084	A1 *	10/2016	LaGrange	E21B 29/02			
2016/0298404	A1 *	10/2016	Beckett	E21B 33/12			
2016/0333676	A1	11/2016	Hardesty				
2017/0184379	A1 *	6/2017	Barzilai	F42B 4/20			
2017/0211363	A1 *	7/2017	Bradley	F42B 3/08			
2017/0241244	A1 *	8/2017	Barker	E21B 43/117			
2017/0268860	A1	9/2017	Eitschberger				
2017/0298716	A1 *	10/2017	McConnell	E21B 43/119			
2019/0085664	A1 *	3/2019	Hardesty	E21B 43/116			

* cited by examiner

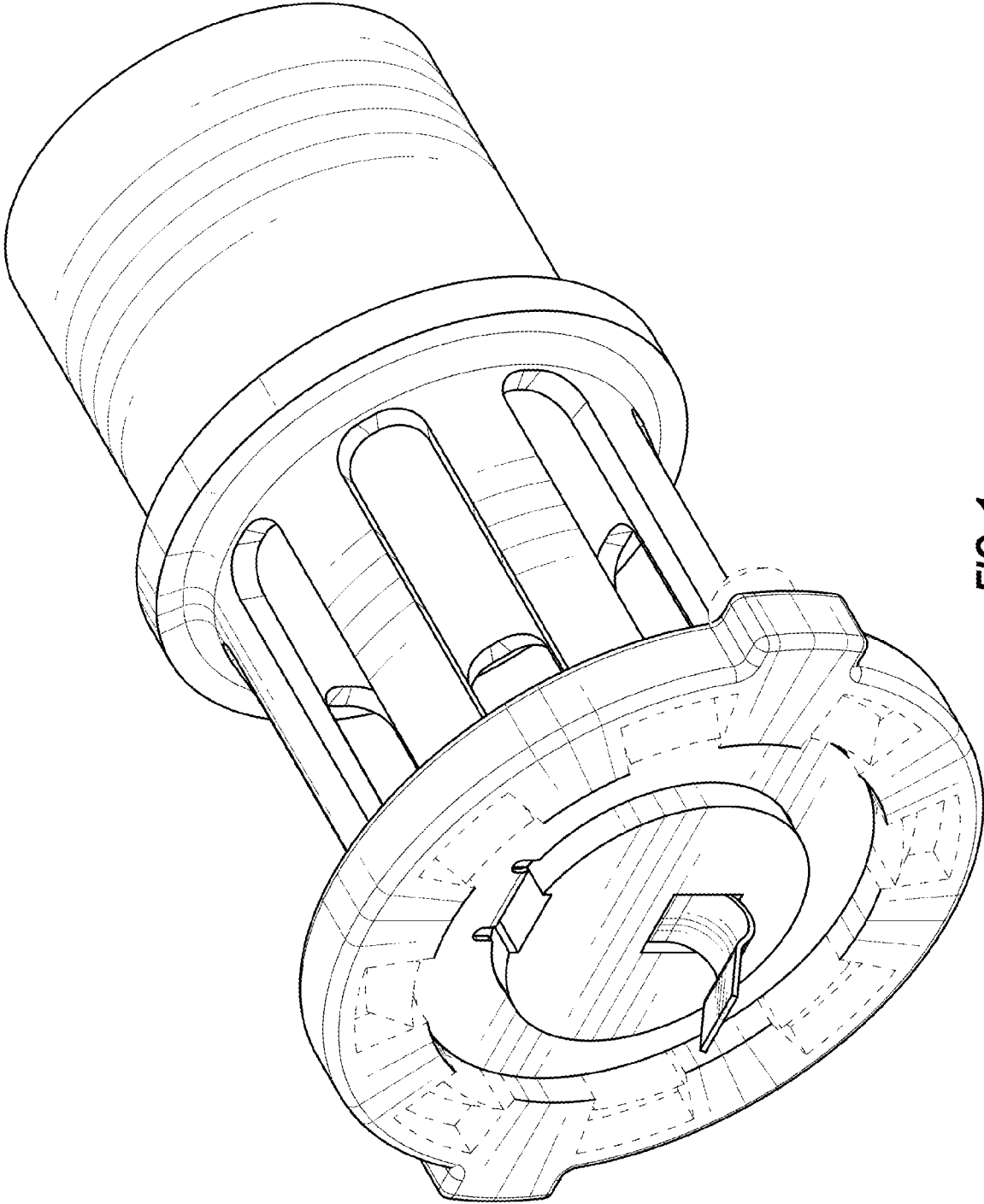


FIG. 1

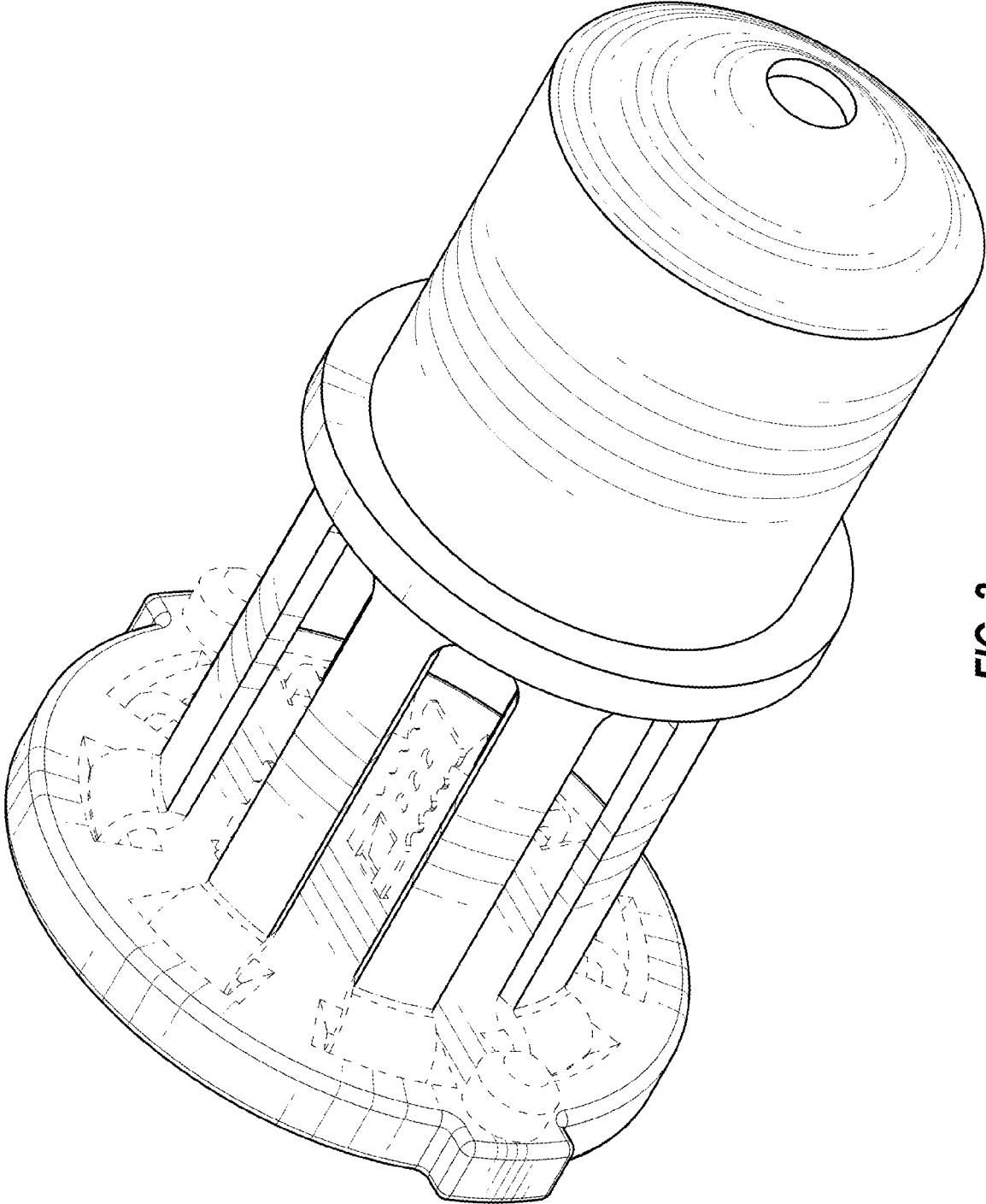


FIG. 2

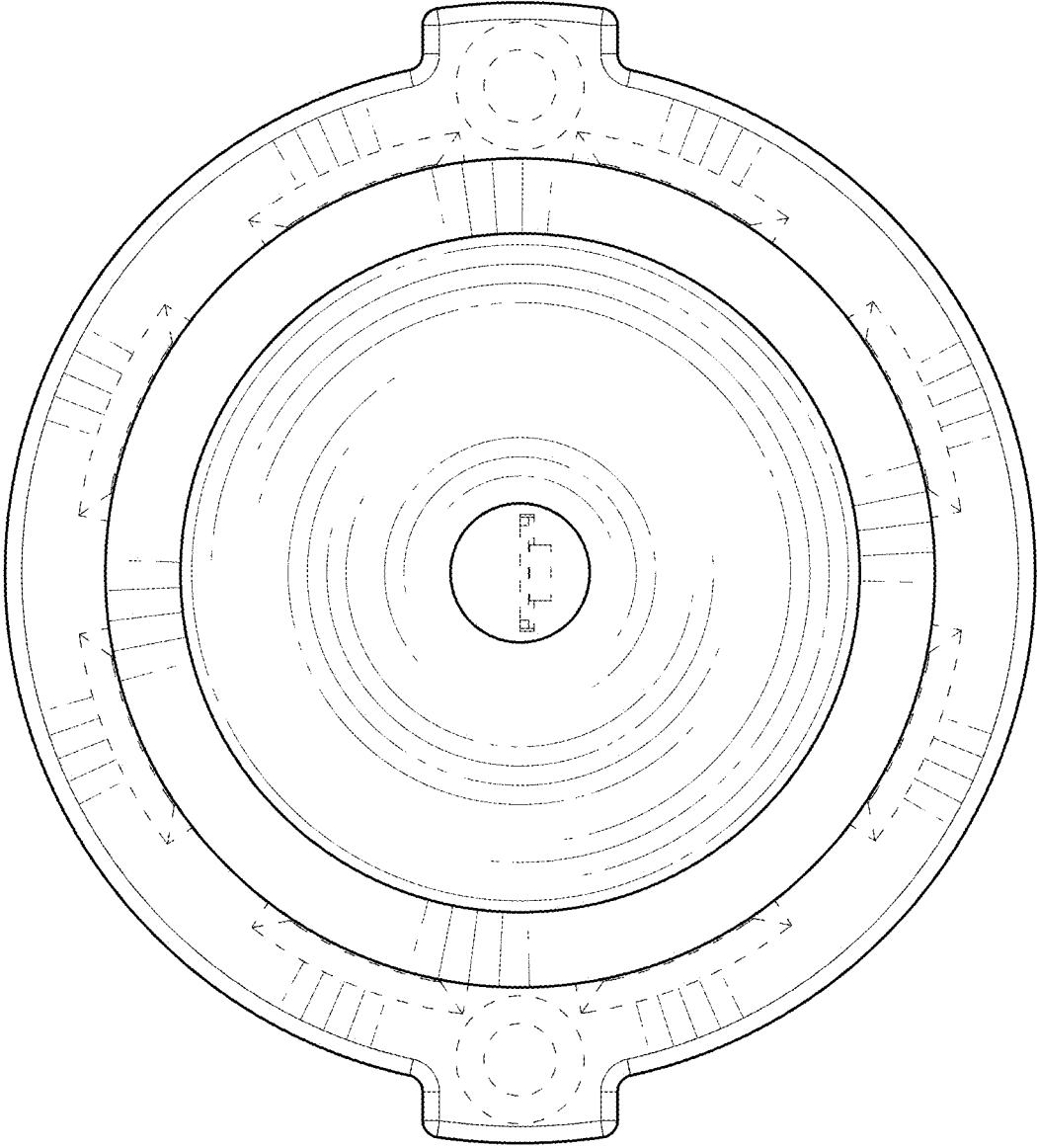


FIG. 3

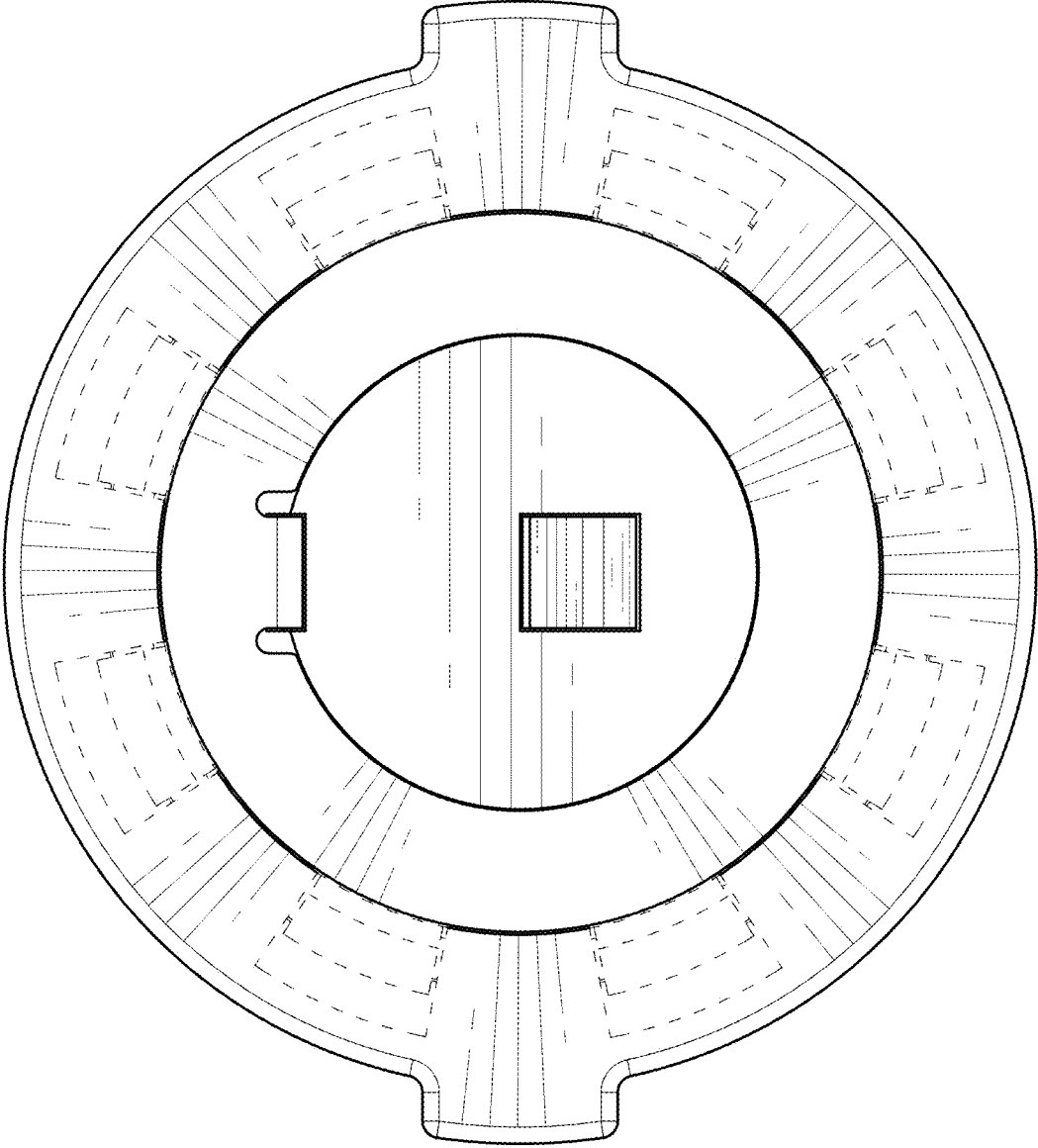


FIG. 4

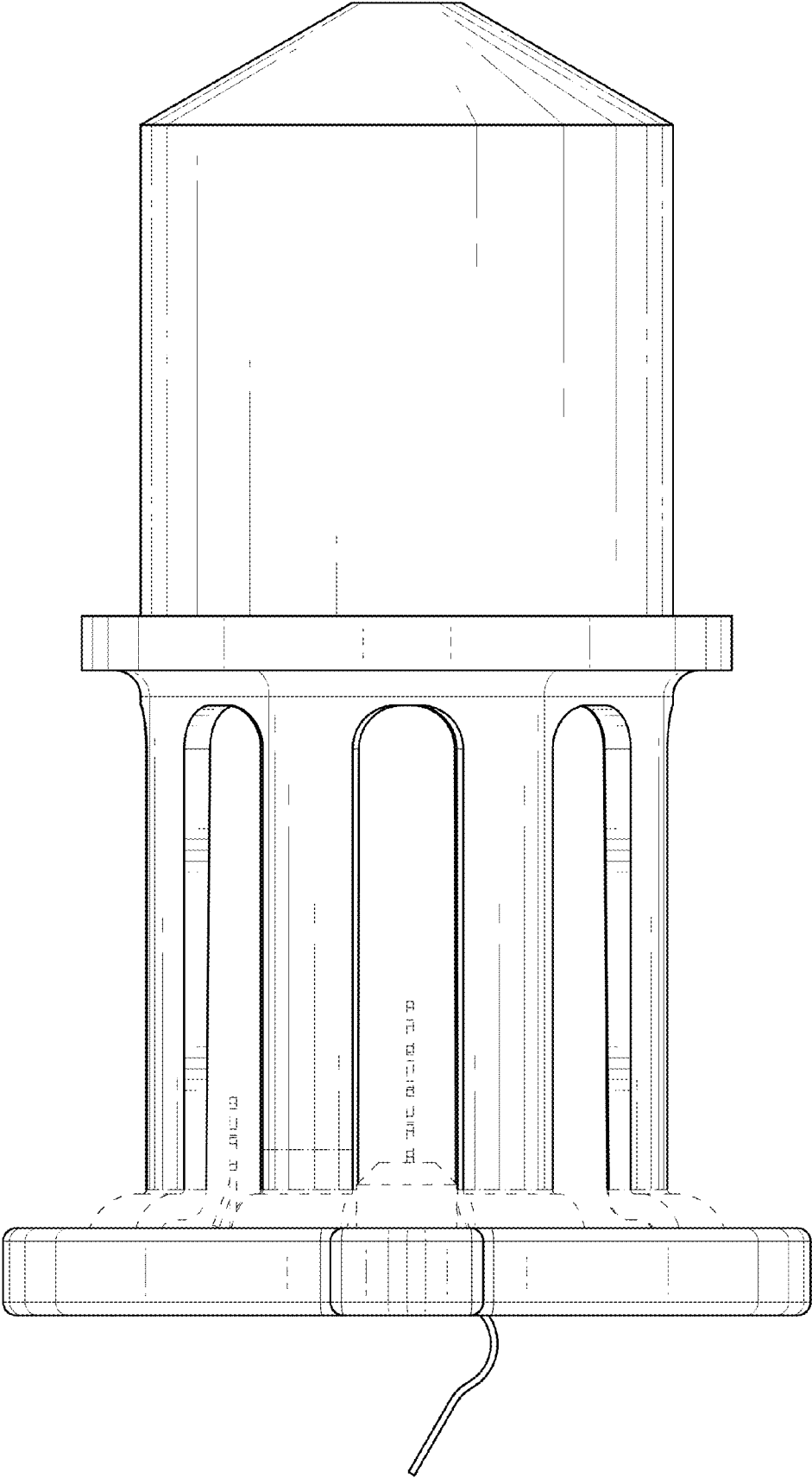


FIG. 5

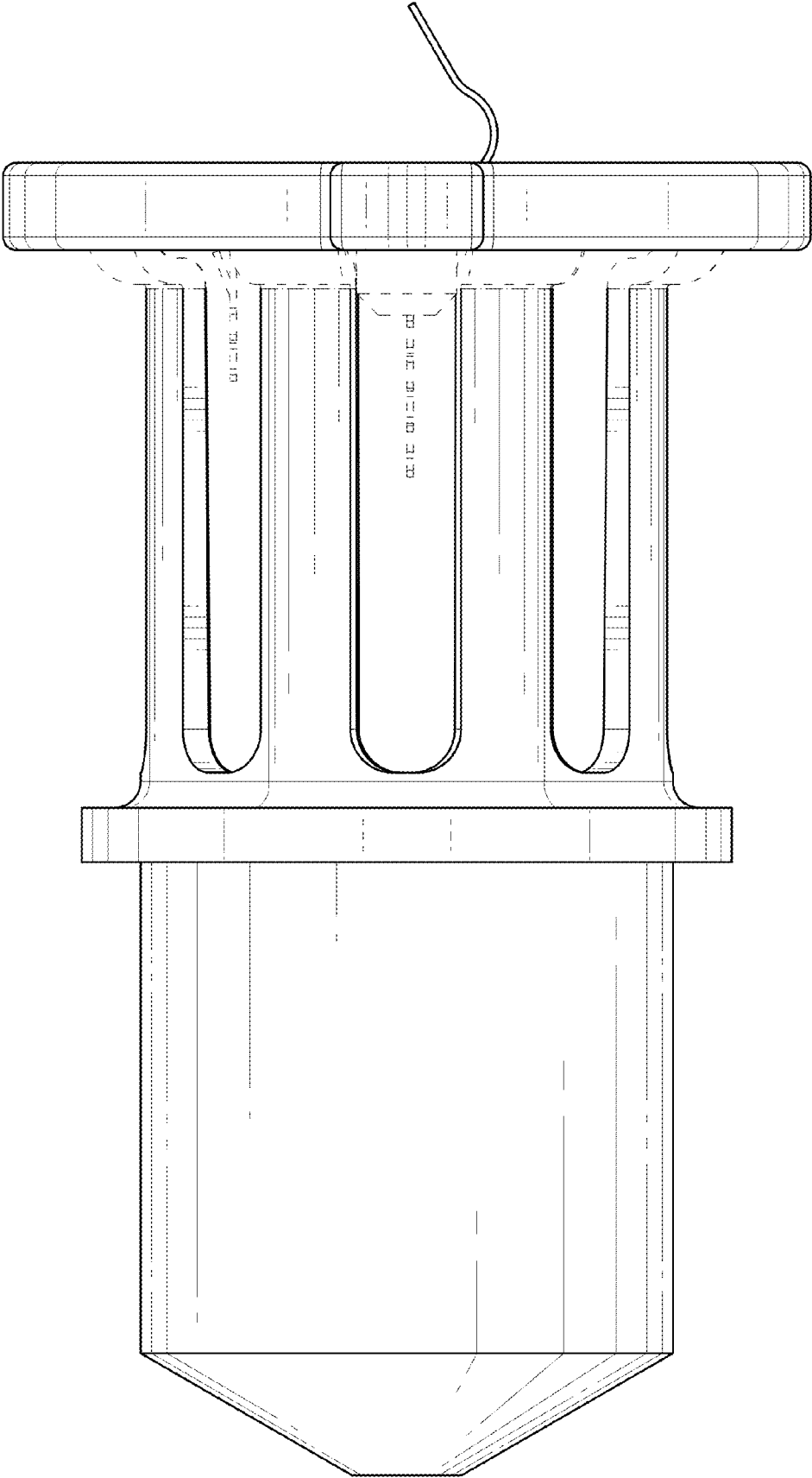


FIG. 6

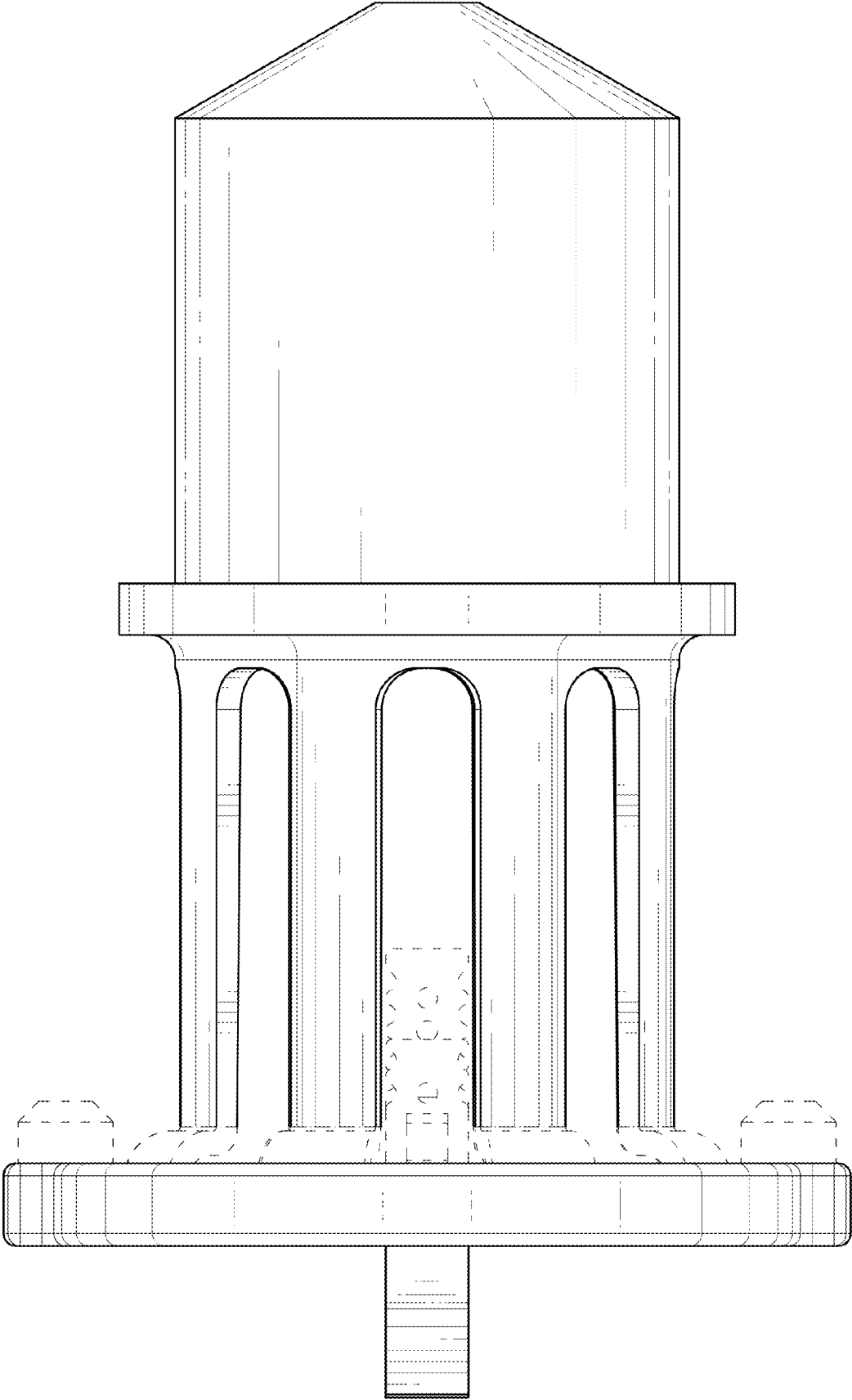


FIG. 7

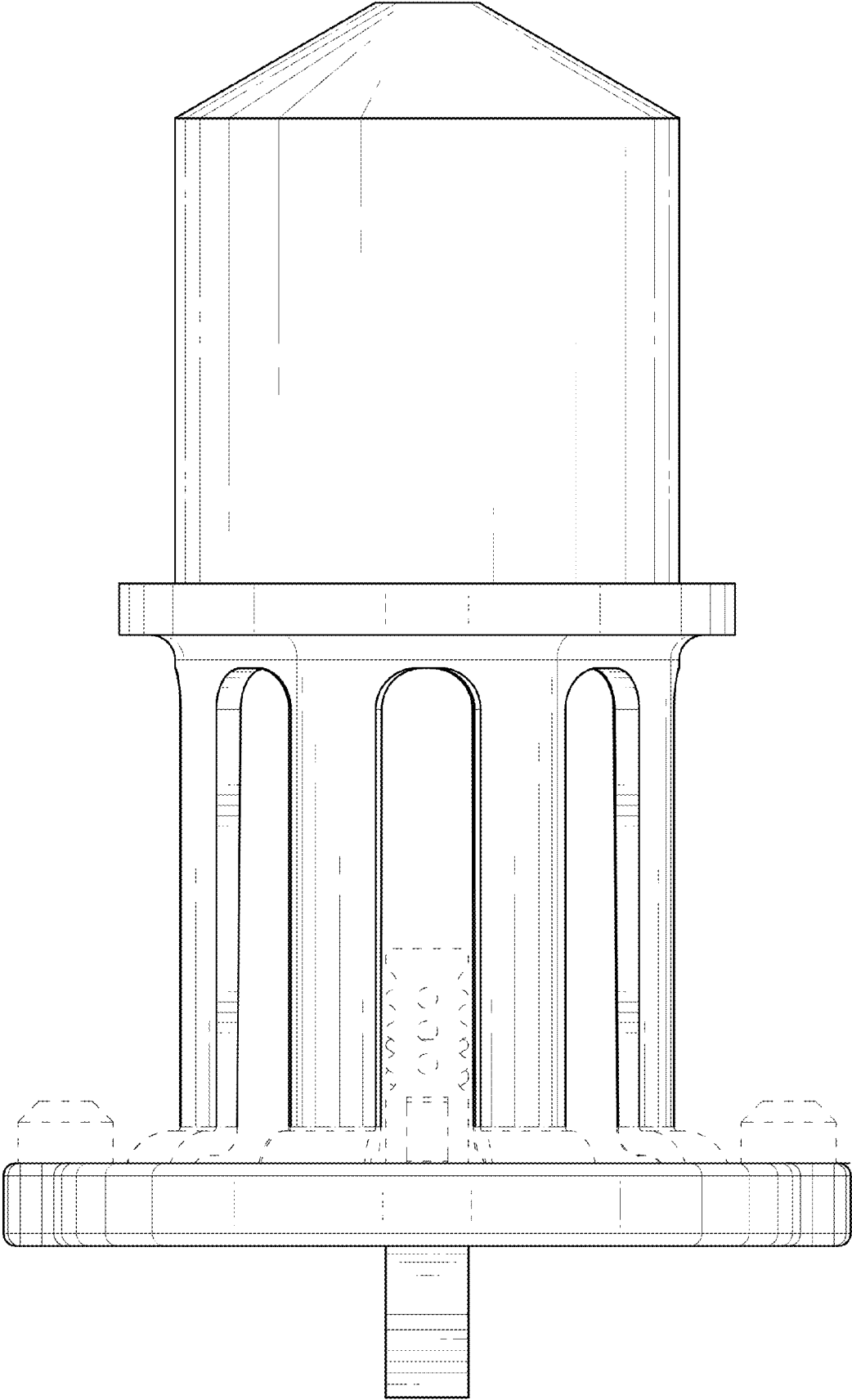


FIG. 8