



US00D338134S

United States Patent [19]

[11] Patent Number: Des. 338,134

Hoffman

[45] Date of Patent: ** Aug. 10, 1993

[54] **FOOD PROCESSOR**

[75] Inventor: Gregory K. Hoffman, Hamden, Conn.

[73] Assignee: Black & Decker Inc., Newark, Del.

[**] Term: 14 Years

[21] Appl. No.: 820,066

[22] Filed: Jan. 9, 1992

[52] U.S. Cl. D7/384; D7/376; D7/381

[58] Field of Search D7/376, 381, 382, 383, D7/384, 386; 241/37.5, 282.1, 101.1, 199.2, 282.2, 92, 93

[56] **References Cited**

U.S. PATENT DOCUMENTS

D. 282,620	2/1986	Cavalli	D7/384
D. 309,082	7/1990	Hattle et al.	D7/384
4,598,874	7/1986	Barnett	241/37.5
4,799,626	1/1989	Hickel et al.	241/282.1 X

OTHER PUBLICATIONS

Black & Decker Household Products Catalog; 1991-1992; pub. No. 94-001-01; Copyright 1991.

Primary Examiner—Alan P. Douglas
Assistant Examiner—Caron D. Veynar
Attorney, Agent, or Firm—Barry E. Deutsch

[57] **CLAIM**

The ornamental design for a food processor, as shown and described.

DESCRIPTION

FIG. 1 is a perspective view, taken from the right side, of a food processor showing my new design; FIG. 2 is a right side elevational view thereof, the left side elevational view being a mirror image; FIG. 3 is a top plan view thereof; FIG. 4 is a bottom plan view thereof; FIG. 5 is a front elevational view thereof; and, FIG. 6 is a rear elevational view thereof.

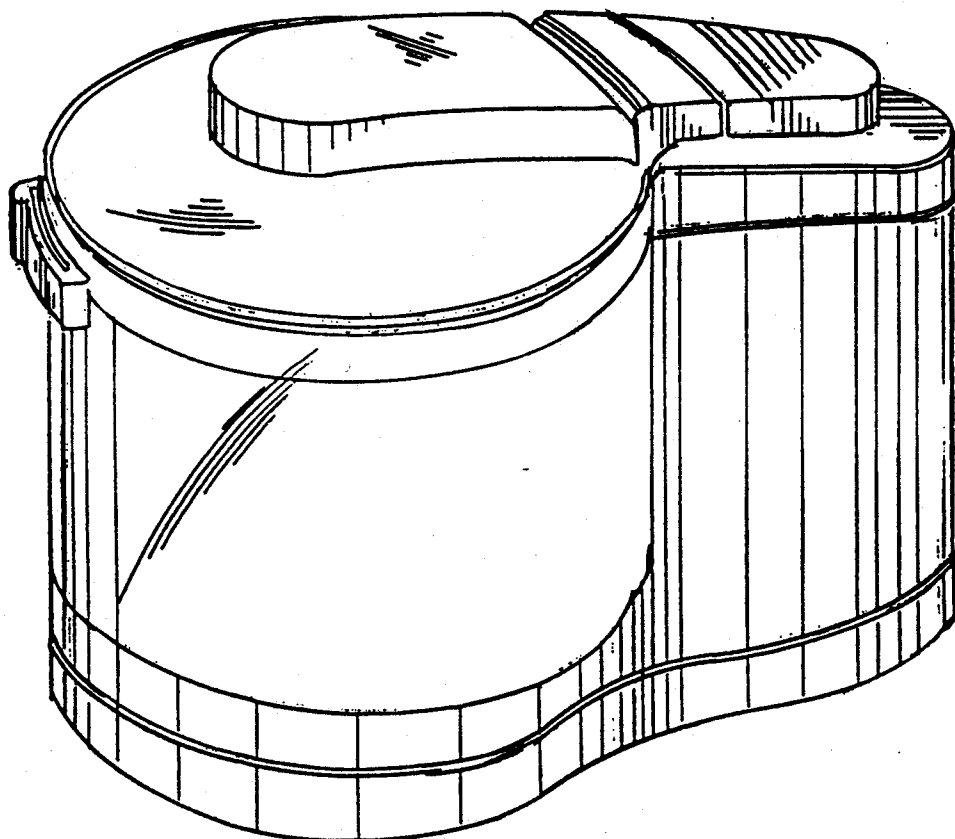


FIG. 1

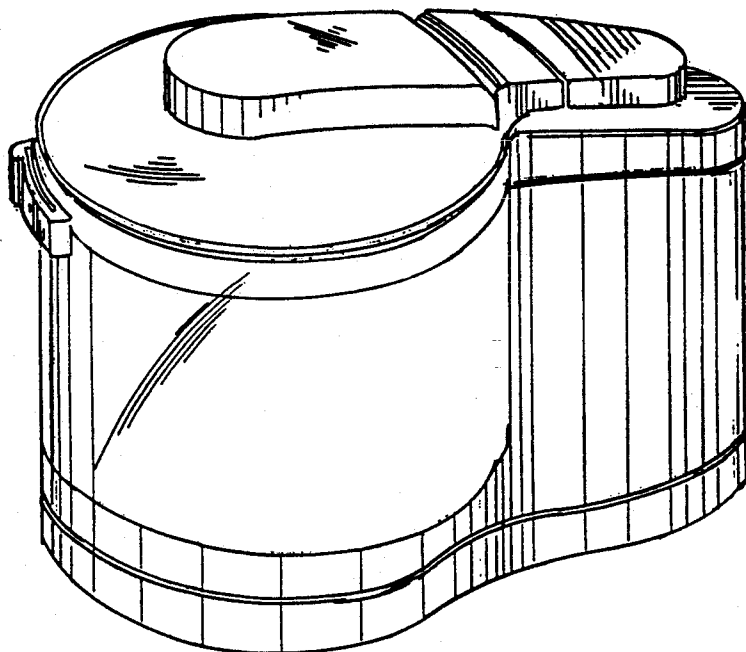


FIG. 2

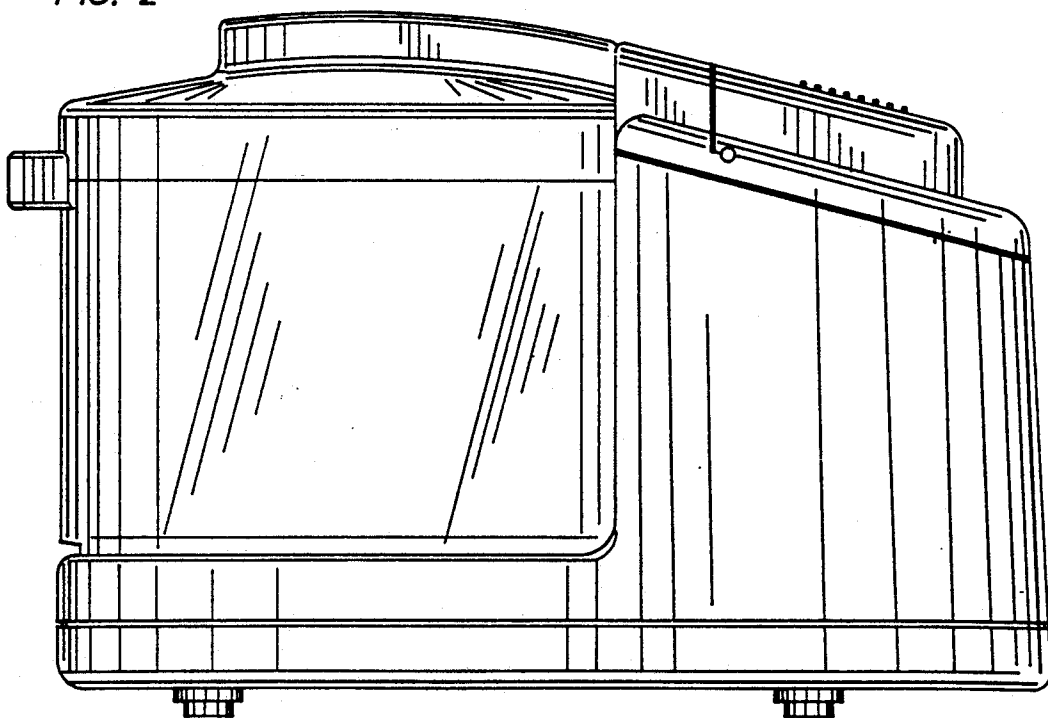


FIG. 3

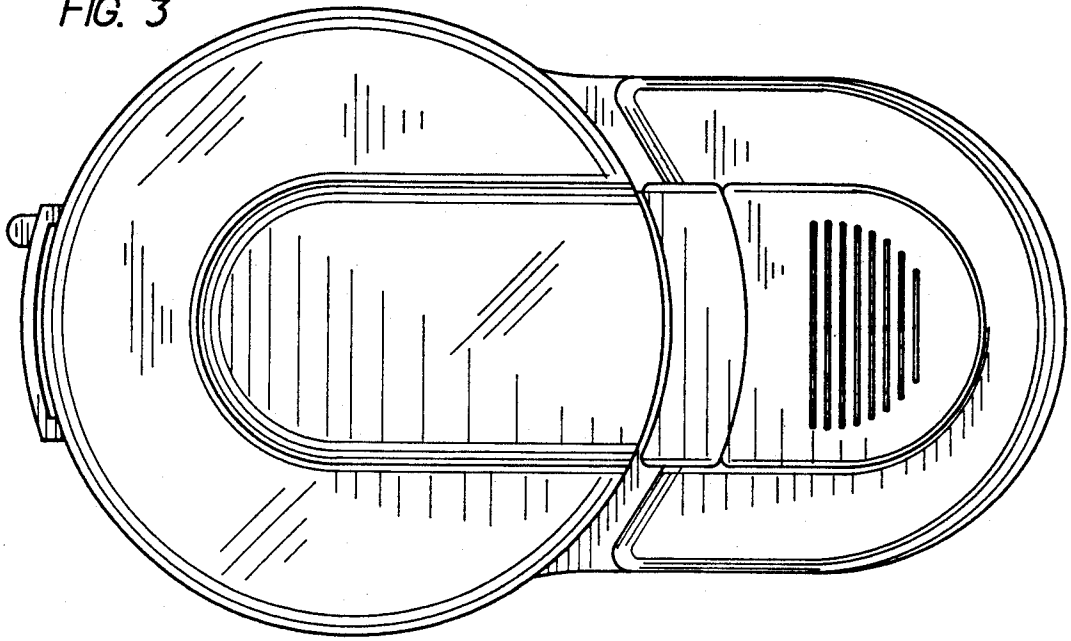


FIG. 4

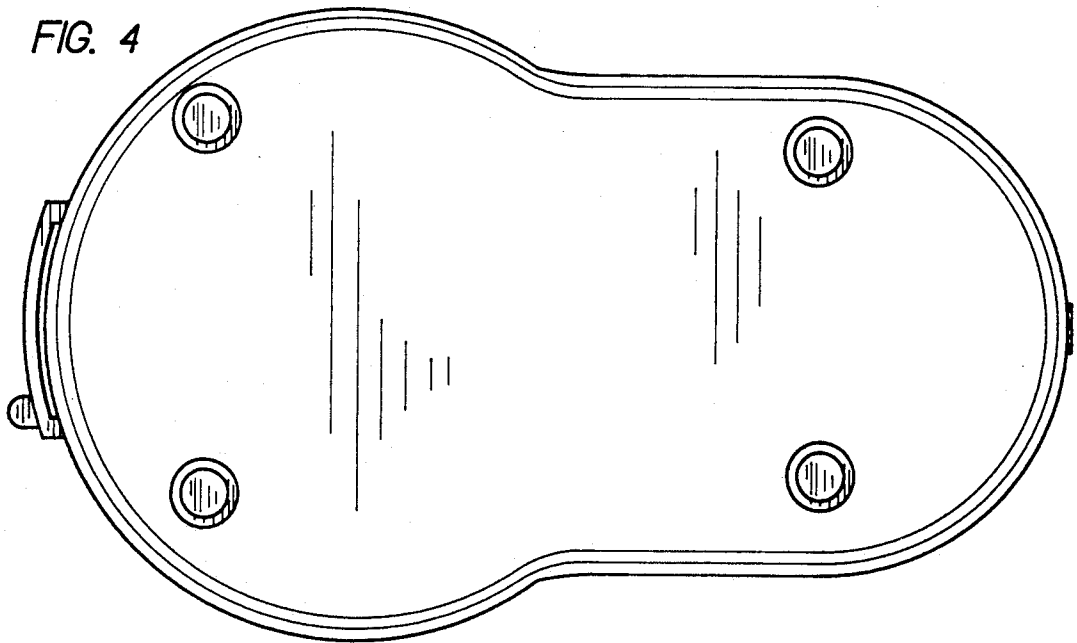


FIG. 5

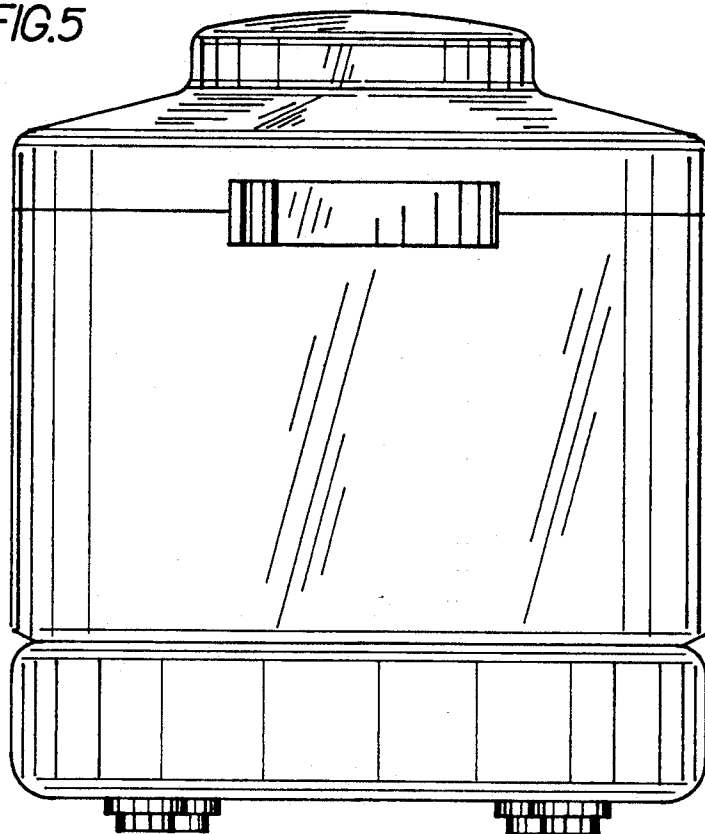


FIG. 6

