



US00D960712S

(12) **United States Design Patent**
Aboabdo

(10) **Patent No.:** **US D960,712 S**

(45) **Date of Patent:** **** Aug. 16, 2022**

(54) **DISPENSER**

FOREIGN PATENT DOCUMENTS

(71) Applicant: **Chubby Gorilla, Inc.**, Santa Fe Springs, CA (US)

EP 3741236 A1 * 11/2020 A24F 40/00
FR 3101859 A1 * 4/2021 B65D 1/0269

(Continued)

(72) Inventor: **Ibrahiem H. Aboabdo**, Yorba Linda, CA (US)

Primary Examiner — Catherine A Tuttle

(73) Assignee: **Chubby Gorilla, Inc.**, Fullerton, CA (US)

(74) *Attorney, Agent, or Firm* — Knobbe Martens Olson & Bear, LLP

(**) Term: **15 Years**

(21) Appl. No.: **29/668,306**

(57) **CLAIM**

(22) Filed: **Oct. 29, 2018**

The ornamental design for dispenser, as shown and described herein.

(51) **LOC (13) Cl.** **09-01**

(52) **U.S. Cl.**
USPC **D9/688; D9/504; D9/518; D9/529; D9/414; D9/416**

(58) **Field of Classification Search**

USPC D9/682, 684, 688, 690, 692, 715, 719, D9/723–729, 737, 741, 742, 743, 745, D9/503, 504, 518, 414, 436, 438, 443, D9/447–449, 902; D28/7, 76, 77, 82, 88, D28/89, 91.1; D19/115–118, 123, 125, D19/132, 134, 157, 161, 163, 164, 169, D19/170, 173, 176, 66; D27/101; D24/108, 110, 117, 119
CPC B65D 1/0253; B65D 1/04; B65D 1/06; B65D 1/08; B65D 1/09; B65D 1/095; B65D 1/32; B65D 1/323; B65D 1/326; B65D 1/40; B65D 11/02; B65D 11/04; B65D 11/18; B65D 11/1866; B65D 11/188; B65D 41/32; B65D 41/3419; B65D 41/3438; B65D 41/3457; B65D 41/34; B65D 41/3409; B65D 41/3428; B65D 43/0283;

(Continued)

DESCRIPTION

FIG. 1 is a top perspective view of a first embodiment of a dispenser embodying the new design.
FIG. 2 is a bottom perspective view thereof.
FIG. 3 is a front view thereof.
FIG. 4 is a rear view thereof.
FIG. 5 is a first side view thereof.
FIG. 6 is a second side view thereof.
FIG. 7 is a top view thereof.
FIG. 8 is a bottom view thereof.
FIG. 9 is a top perspective view of a second embodiment of a dispenser embodying the new design.
FIG. 10 is a bottom perspective view thereof.
FIG. 11 is a front view thereof.
FIG. 12 is a rear view thereof.
FIG. 13 is a first side view thereof.
FIG. 14 is a second side view thereof.
FIG. 15 is a top view thereof; and,
FIG. 16 is a bottom view thereof.

The second embodiment is shown with symbolic breaks in its length, represented by break lines. The appearance of any portion of the article between the break lines forms no part of the claimed subject matter.

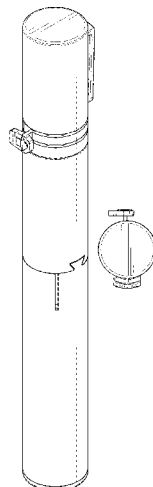
(56) **References Cited**

U.S. PATENT DOCUMENTS

D195,314 S * 5/1963 Terwilliger D9/438
D248,373 S * 7/1978 Allen D7/511

(Continued)

1 Claim, 12 Drawing Sheets



US D960,712 S

(58) **Field of Classification Search**

CPC B65D 47/18; B65D 47/36; B65D 50/06;
 B65D 51/18; B65D 51/20; B65D 51/24;
 B65D 51/242; B65D 51/28; B65D 51/32;
 B65D 55/0818; B65D 55/0881; B65D
 55/089; B65D 81/3277; B65D 83/00;
 B65D 83/14; B65D 83/224; B65D
 83/226; B65D 83/228; B65D 83/38;
 B65D 83/384; B65D 83/388; B65D
 83/42; B65D 83/68; B65D 83/752; B65D
 83/7538; B65D 83/757; B65D 2401/00;
 B65D 2401/05; B65D 2401/25; B65D
 2401/50; B65D 2517/5072; B65D
 2583/005; B05B 11/04; B05B 11/048;
 B05B 11/0035; B05B 11/0037; B05B
 11/0038; B05B 11/0054; B05B 11/0056;
 B05B 11/0078; B05B 11/0089; B05B
 11/0097

See application file for complete search history.

(56) **References Cited**

U.S. PATENT DOCUMENTS

4,896,832 A * 1/1990 Howlett B65D 83/386
 239/322
 D306,316 S * 2/1990 Shintani D19/117
 D307,190 S * 4/1990 Bakic D28/7
 D312,044 S * 11/1990 Davis D9/438

D313,245 S * 12/1990 Iwase D19/169
 4,981,214 A * 1/1991 Rojas B65D 21/0228
 206/430
 5,005,718 A * 4/1991 Buono B65D 50/041
 215/220
 D325,264 S * 4/1992 Shinohara D28/7
 D327,090 S * 6/1992 Kishita D19/66
 D360,134 S * 7/1995 Snyder D9/438
 D365,889 S * 1/1996 Kim D27/147
 D433,631 S * 11/2000 Walsh D9/500
 D443,728 S * 6/2001 Gaw D28/91.1
 D485,489 S * 1/2004 Kadlubowski D9/688
 D617,052 S * 6/2010 Pires D28/89
 D622,767 S * 8/2010 Liu D19/169
 D692,763 S * 11/2013 Walter D9/504
 D703,060 S * 4/2014 Okulla D9/529
 D724,956 S * 3/2015 Johansson D9/715
 D730,747 S * 6/2015 Waldrop D9/730
 D800,566 S * 10/2017 Wieland D9/529
 D911,855 S * 3/2021 Aboabdo D9/724
 2002/0066756 A1 * 6/2002 Kinsman A6IL 2/18
 222/547
 2009/0123212 A1 * 5/2009 Landow A45D 40/24
 401/17

FOREIGN PATENT DOCUMENTS

WO WO-0146035 A1 * 6/2001 B65D 47/18
 WO WO-2011147750 A1 * 12/2011 B65D 51/2835
 WO WO-2015089569 A1 * 6/2015 B65D 41/34

* cited by examiner

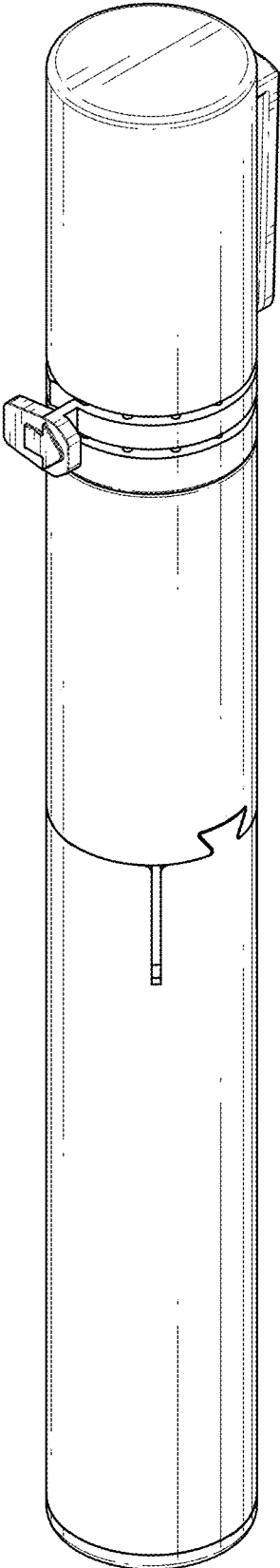


FIG. 1

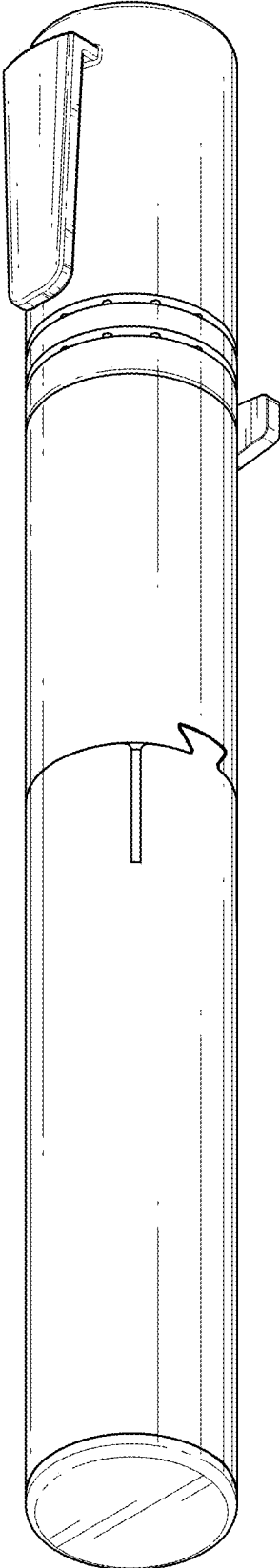


FIG. 2

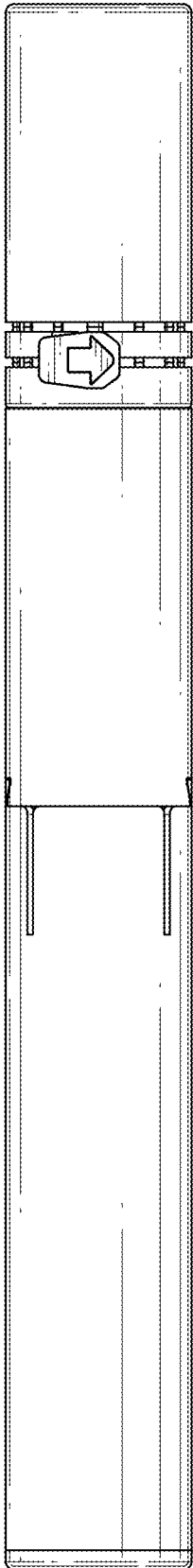


FIG. 3

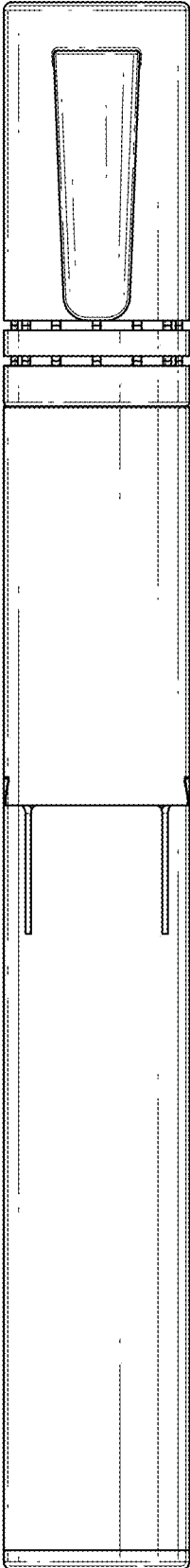


FIG. 4

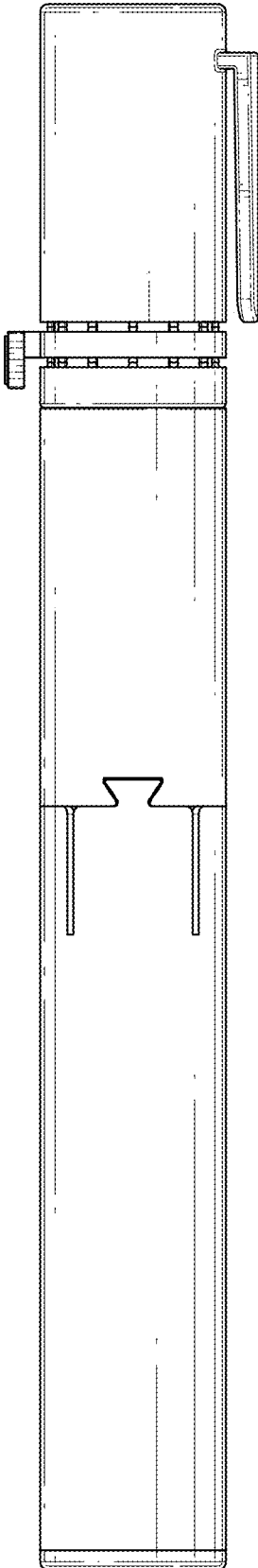


FIG. 5

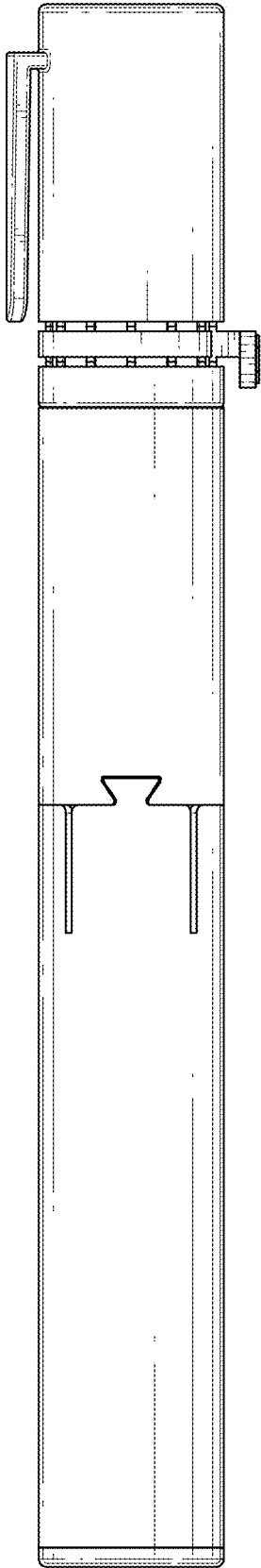


FIG. 6

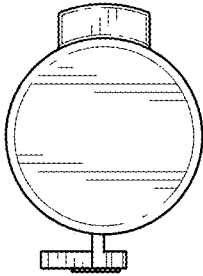


FIG. 7

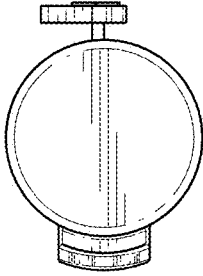


FIG. 8

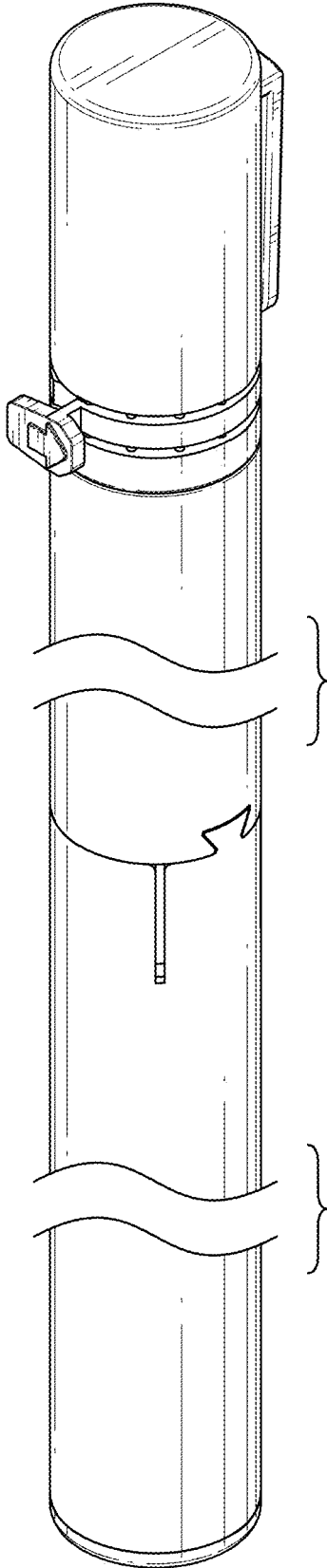


FIG. 9

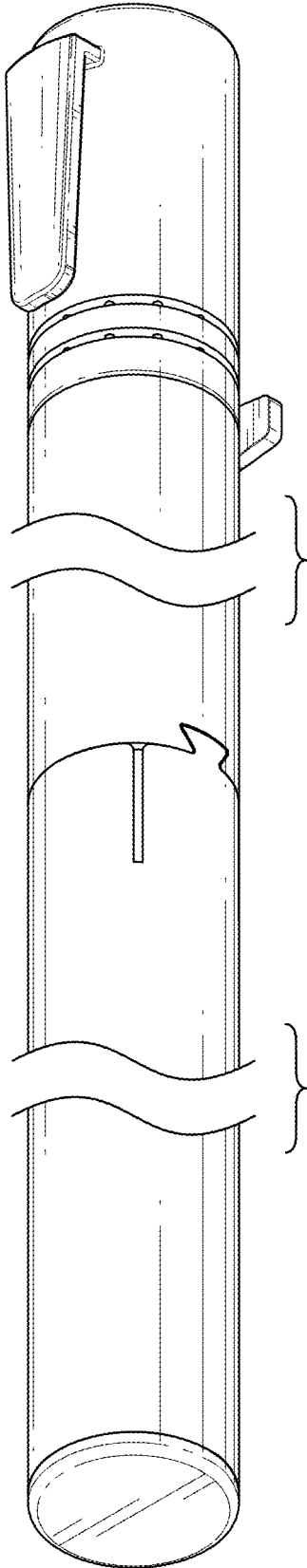


FIG. 10

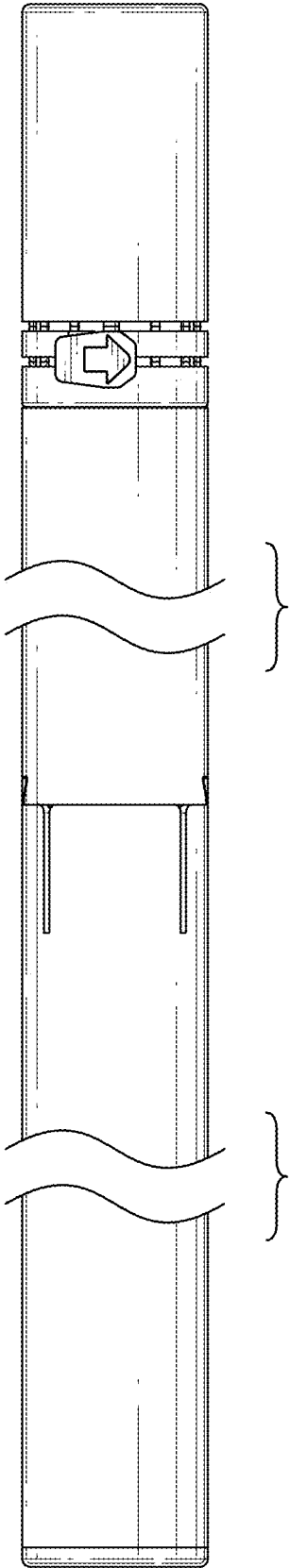


FIG. 11

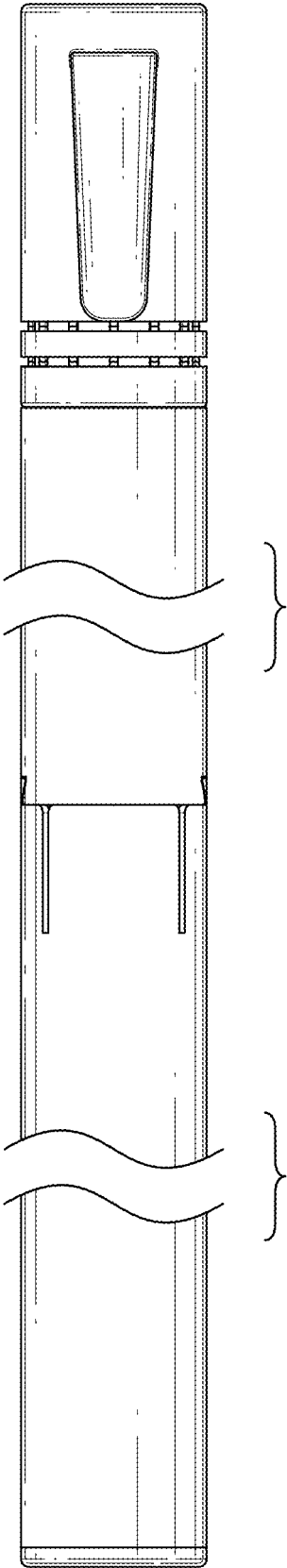


FIG. 12

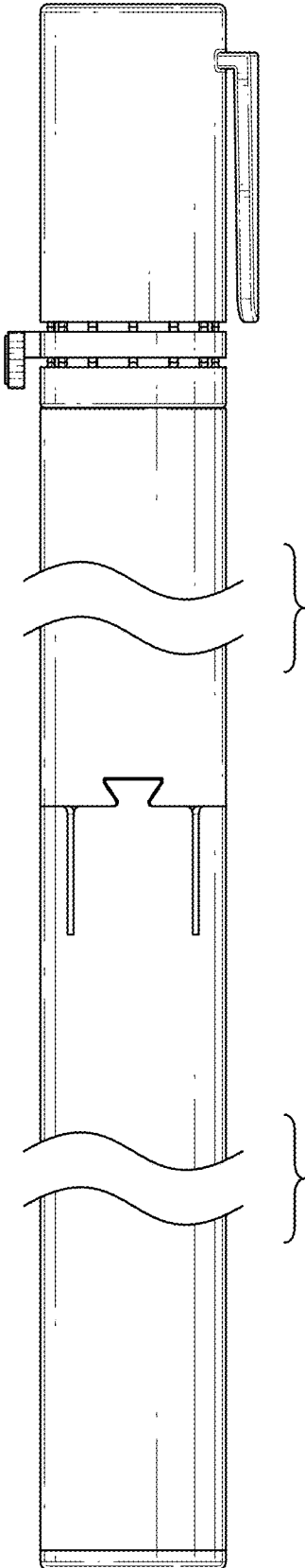


FIG. 13

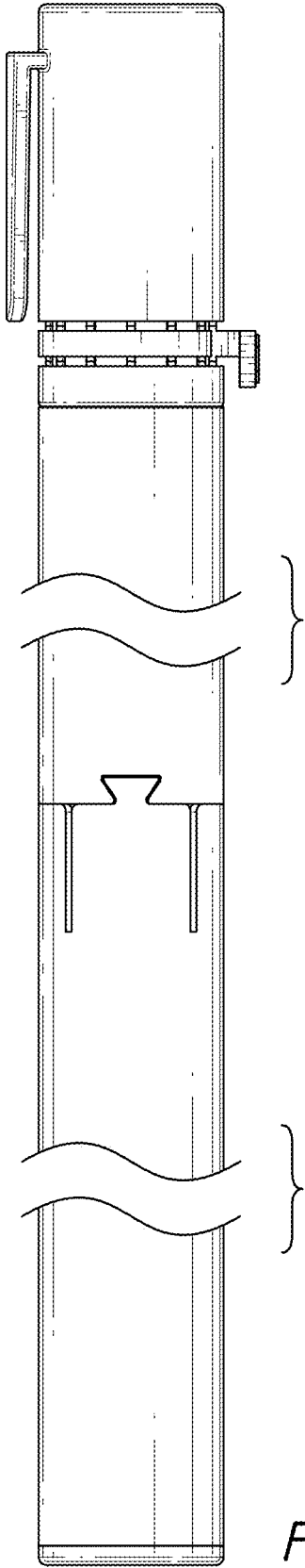


FIG. 14

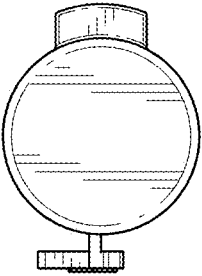


FIG. 15

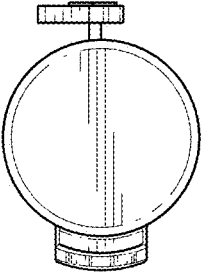


FIG. 16