



US00D329962S

United States Patent [19]

[11] Patent Number: Des. 329,962

Hestehave et al.

[45] Date of Patent: ** Oct. 6, 1992

[54] COMBINED JAR AND LID

[75] Inventors: **Borge Hestehave, Alta Loma; Kjeld Hestehave, Upland, both of Calif.**

[73] Assignee: **Bomatic, Inc., Ontario, Calif.**

[**] Term: **14 Years**

[21] Appl. No.: **553,004**

[22] Filed: **Jul. 16, 1990**

[52] U.S. Cl. **D7/612; D9/505**

[58] Field of Search **D7/612-615, D7/629, 538, 391; D9/354, 385; 215/1 R; D7/391**

[56] References Cited

U.S. PATENT DOCUMENTS

- D. 45.801 5/1914 Eichhorn D9/385 X
- D. 235.090 5/1975 Achenbach D7/391
- D. 237.855 12/1975 Achenbach D7/615
- D. 242.835 12/1976 Loscalzo D7/615

OTHER PUBLICATIONS

Glassware catalog-H Anchor Hocking. p. 13, #372 provision jar & cover.

Primary Examiner—Terry A. Pfeffer
Attorney, Agent, or Firm—Sixbey, Friedman, Leedom & Ferguson

[57] CLAIM

The ornamental design for a combined jar and lid, as shown and described herein.

DESCRIPTION

FIG. 1 is a side elevational view of a combined jar and lid showing our new design, the remaining side being identical;

FIG. 2 is a top plan view thereof;

FIG. 3 is a bottom plan view of the jar portion shown separately for clarity of illustration;

FIG. 4 is a side elevational view of FIG. 3;

FIG. 5 is a top plan view of FIG. 3;

FIG. 6 is a side elevational view of the lid portion shown separately for clarity of illustration;

FIG. 7 is a bottom plan view of FIG. 6; and,

FIG. 8 is a top plan view of FIG. 6.

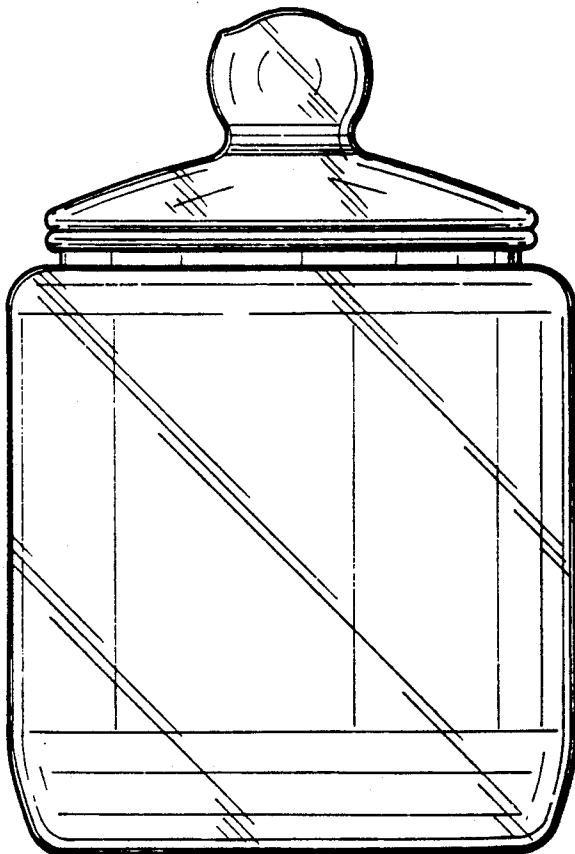


FIG. 2

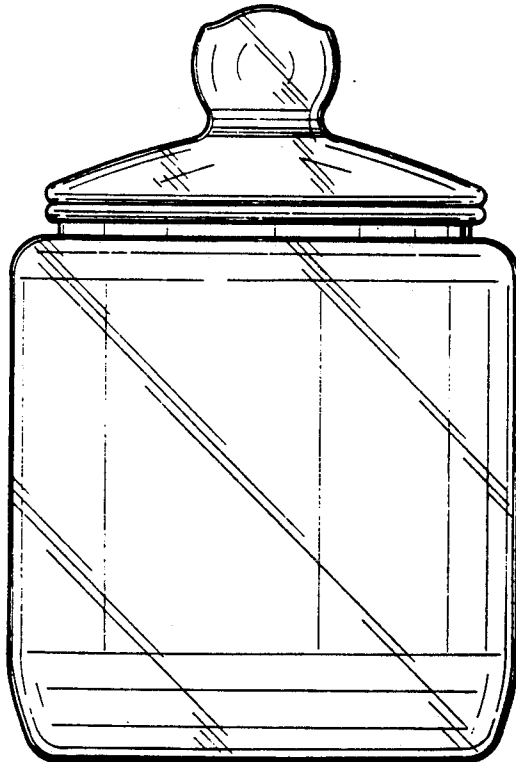
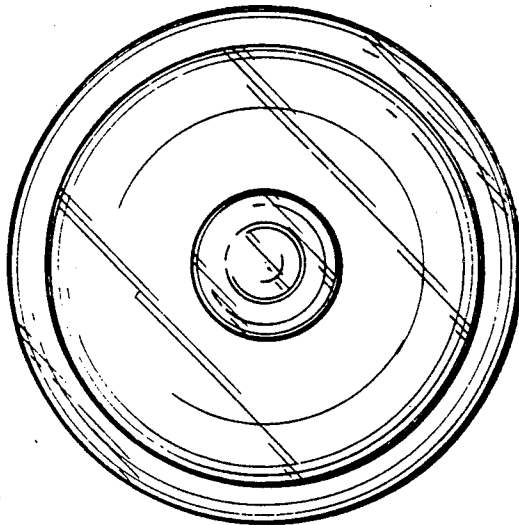


FIG. 1

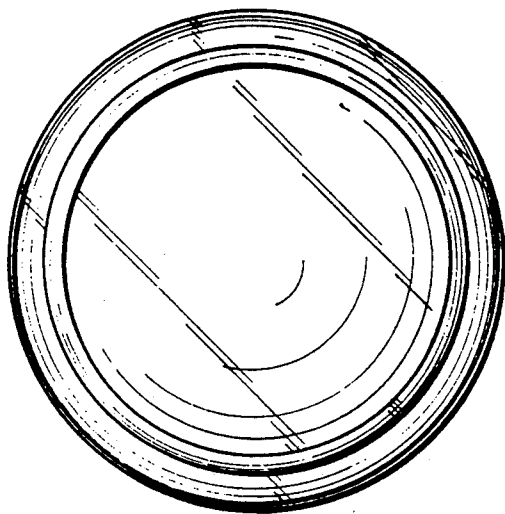


FIG. 3

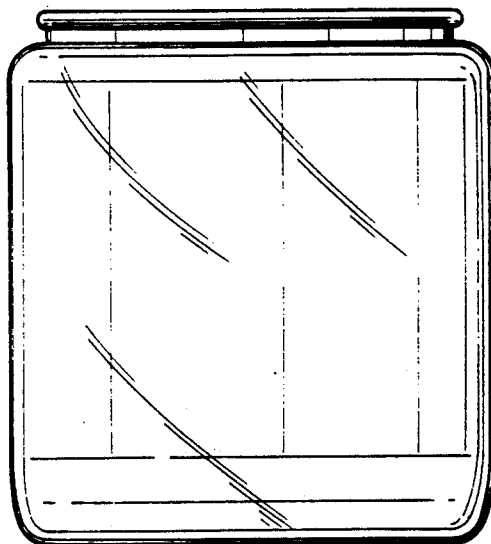


FIG. 4

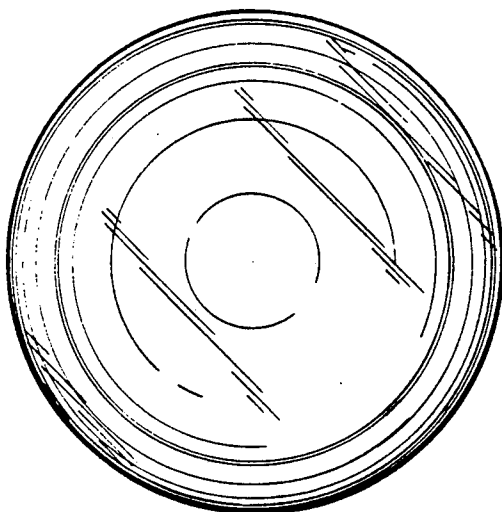


FIG. 5

FIG. 6

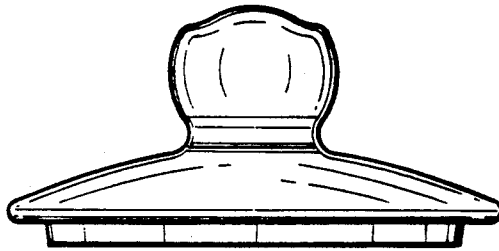
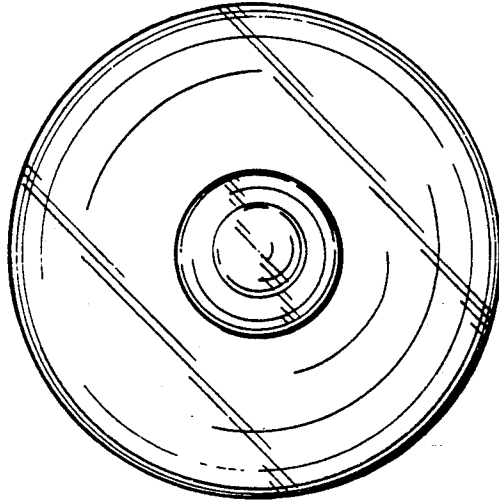


FIG. 7

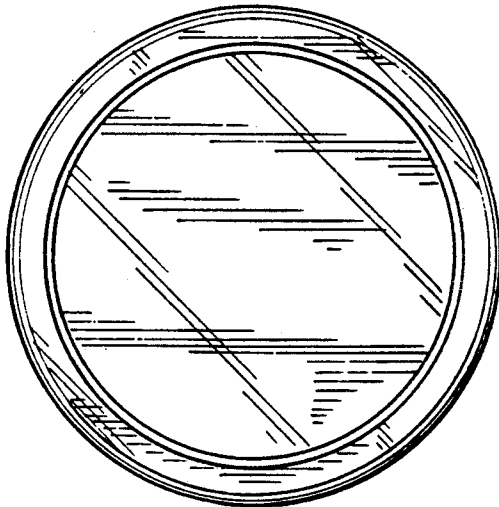


FIG. 8