



US00D808707S

(12) **United States Design Patent**
Kim et al.

(10) **Patent No.:** **US D808,707 S**
(45) **Date of Patent:** **** Jan. 30, 2018**

(54) **GAS OVEN RANGE**

(56) **References Cited**

(71) Applicant: **LG ELECTRONICS INC.**, Seoul (KR)

U.S. PATENT DOCUMENTS

(72) Inventors: **Sooyeon Kim**, Seoul (KR); **Hanjin Jung**, Seoul (KR); **Miyoung Kim**, Seoul (KR); **Songyi Han**, Seoul (KR); **Inhwan Ryu**, Seoul (KR)

D429,953	S	*	8/2000	Orzel	D7/405
D524,094	S	*	7/2006	Home	D7/340
D656,776	S	*	4/2012	Funnell, II	D7/340
D670,969	S	*	11/2012	Bengtson	D7/406
D682,602	S	*	5/2013	Funnell, II	D7/340
D731,845	S	*	6/2015	Kim	D7/340
D755,563	S	*	5/2016	Kim	D7/406
D763,616	S	*	8/2016	Kim	D7/339
D764,220	S	*	8/2016	Kim	D7/339
D773,232	S	*	12/2016	Shoemaker	D7/339
D781,096	S	*	3/2017	Kim	D7/339
D786,006	S	*	5/2017	Chung	D7/340
2017/0227235	A1	*	8/2017	Best	F24C 15/107

(73) Assignee: **LG Electronics Inc.**, Seoul (KR)

(**) Term: **15 Years**

(21) Appl. No.: **35/501,999**

* cited by examiner

(22) Filed: **May 30, 2016**

Primary Examiner — Sheryl Lane

(80) **Hague Agreement Data**

Assistant Examiner — Nicole Shiflet

Int. Filing Date: **May 30, 2016**

Int. Reg. No.: **DM/091390**

Int. Reg. Date: **May 30, 2016**

Int. Reg. Pub. Date: **Dec. 2, 2016**

(74) *Attorney, Agent, or Firm* — Birch, Stewart, Kolasch & Birch, LLP

(30) **Foreign Application Priority Data**

Nov. 30, 2015 (KR) 30-2015-0060395

(51) **LOC (11) Cl.** **07-02**

(52) **U.S. Cl.** **D7/340**

USPC **D7/340**

(58) **Field of Classification Search**

USPC D7/323, 339-341, 346-349, 402-409

CPC F24B 1/00; F24B 1/20; F24C 3/00; F24C

3/002; F24C 3/008; F24C 5/00; F24C

7/00; F24C 7/002; F24C 1/00; H05B

1/0261; H05B 1/0263; H05B 1/0266

See application file for complete search history.

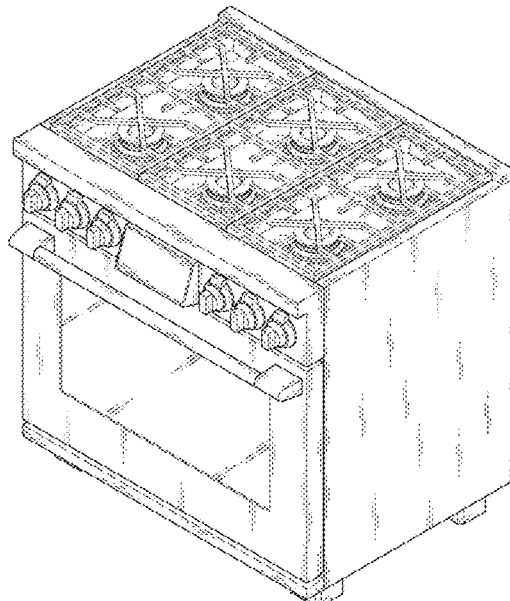
(57) **CLAIM**

The ornamental design for a gas oven range, as shown and described.

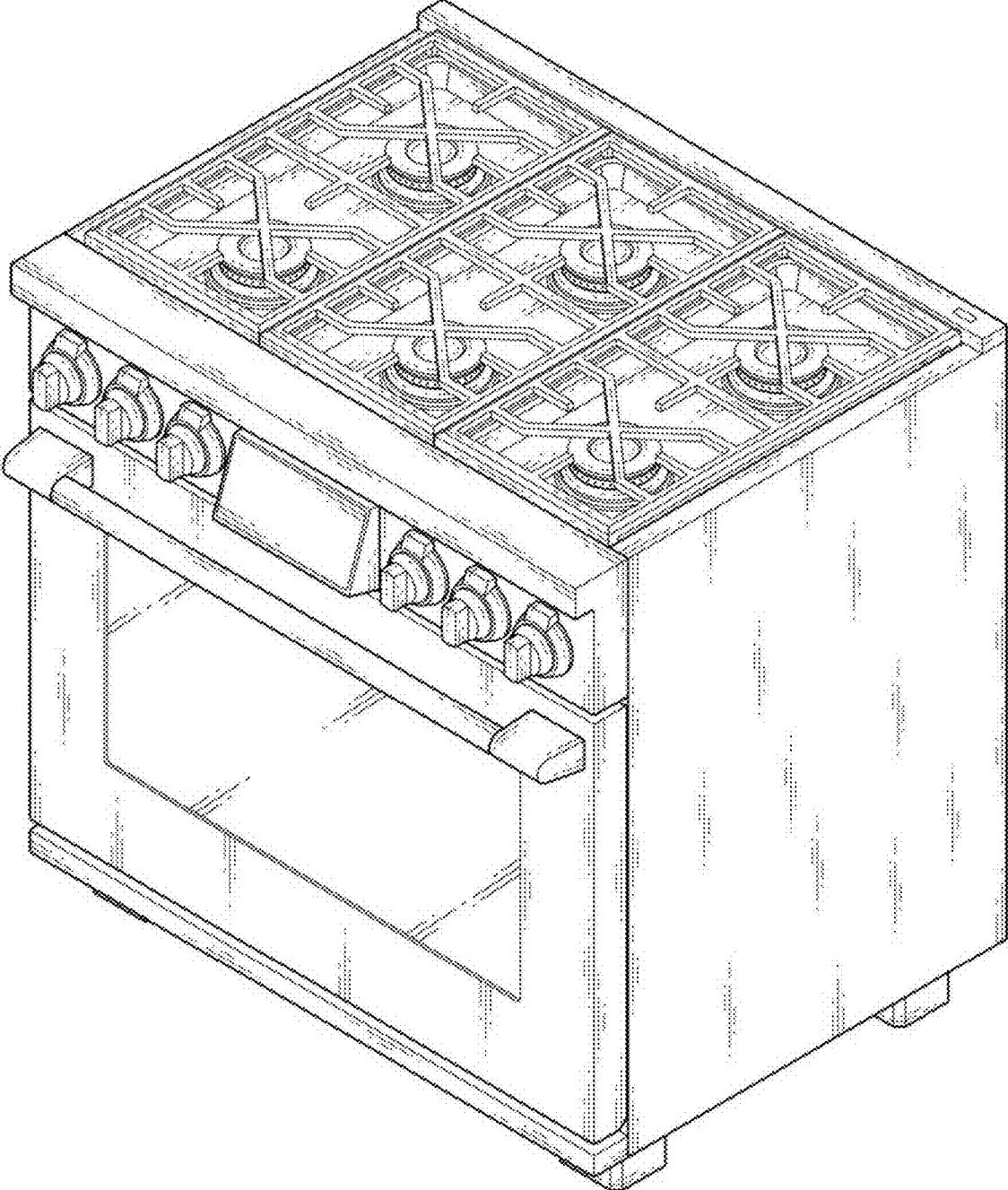
DESCRIPTION

- 1. Gas oven range
- 1.1 : Front Perspective
- 1.2 : Front
- 1.3 : Rear
- 1.4 : Left Side
- 1.5 : Right Side
- 1.6 : Top
- 1.7 : Bottom

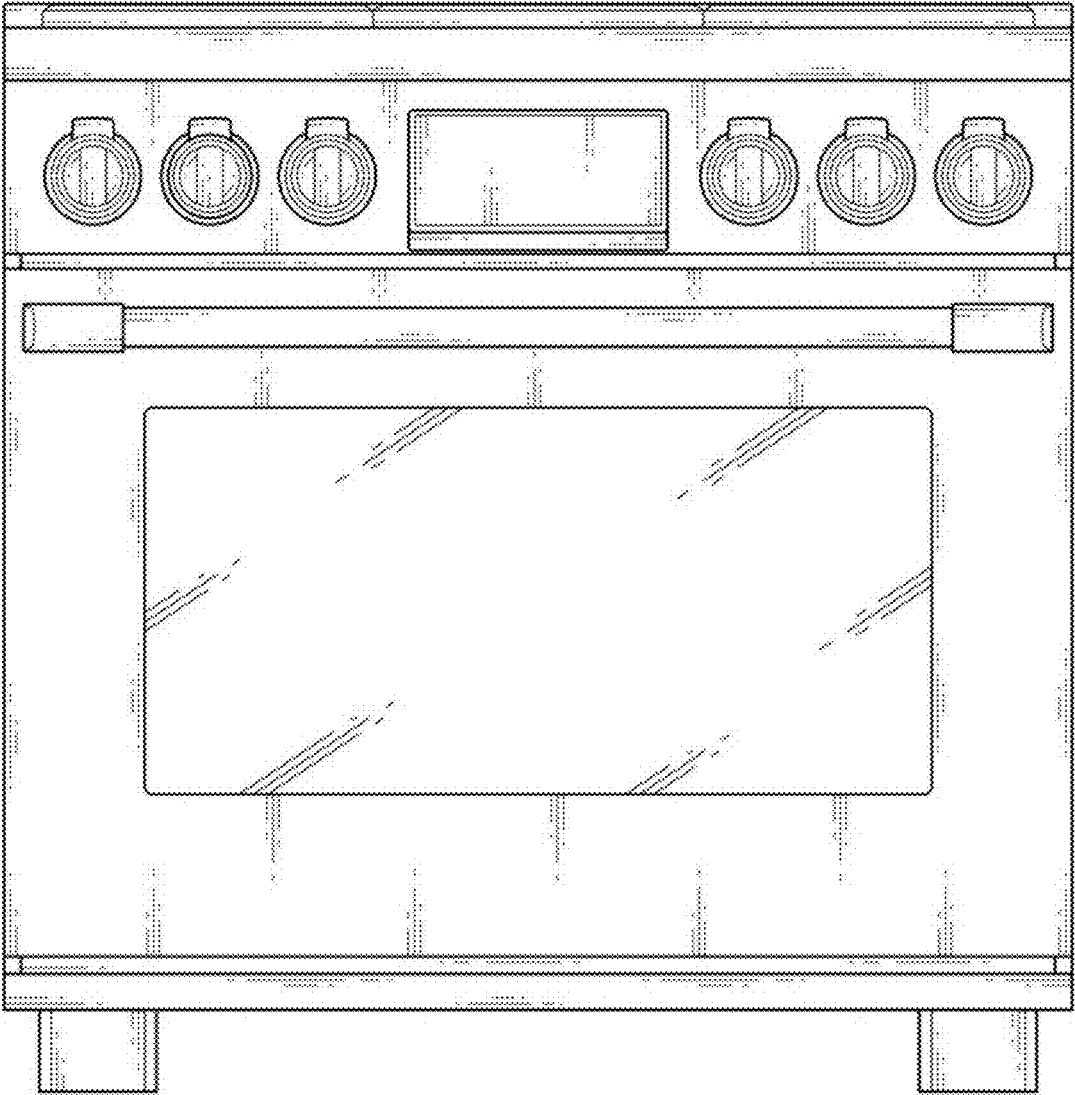
1 Claim, 7 Drawing Sheets



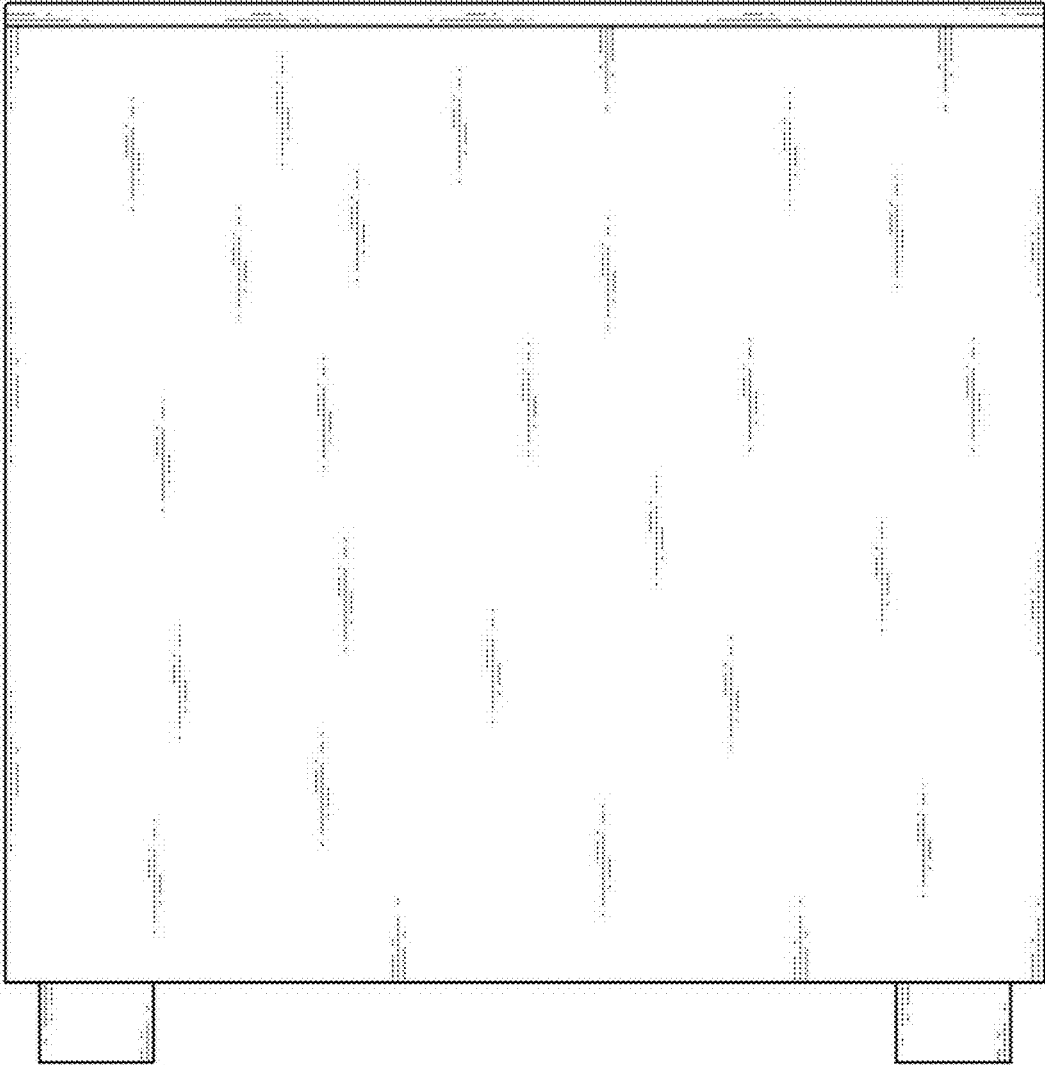
1.1



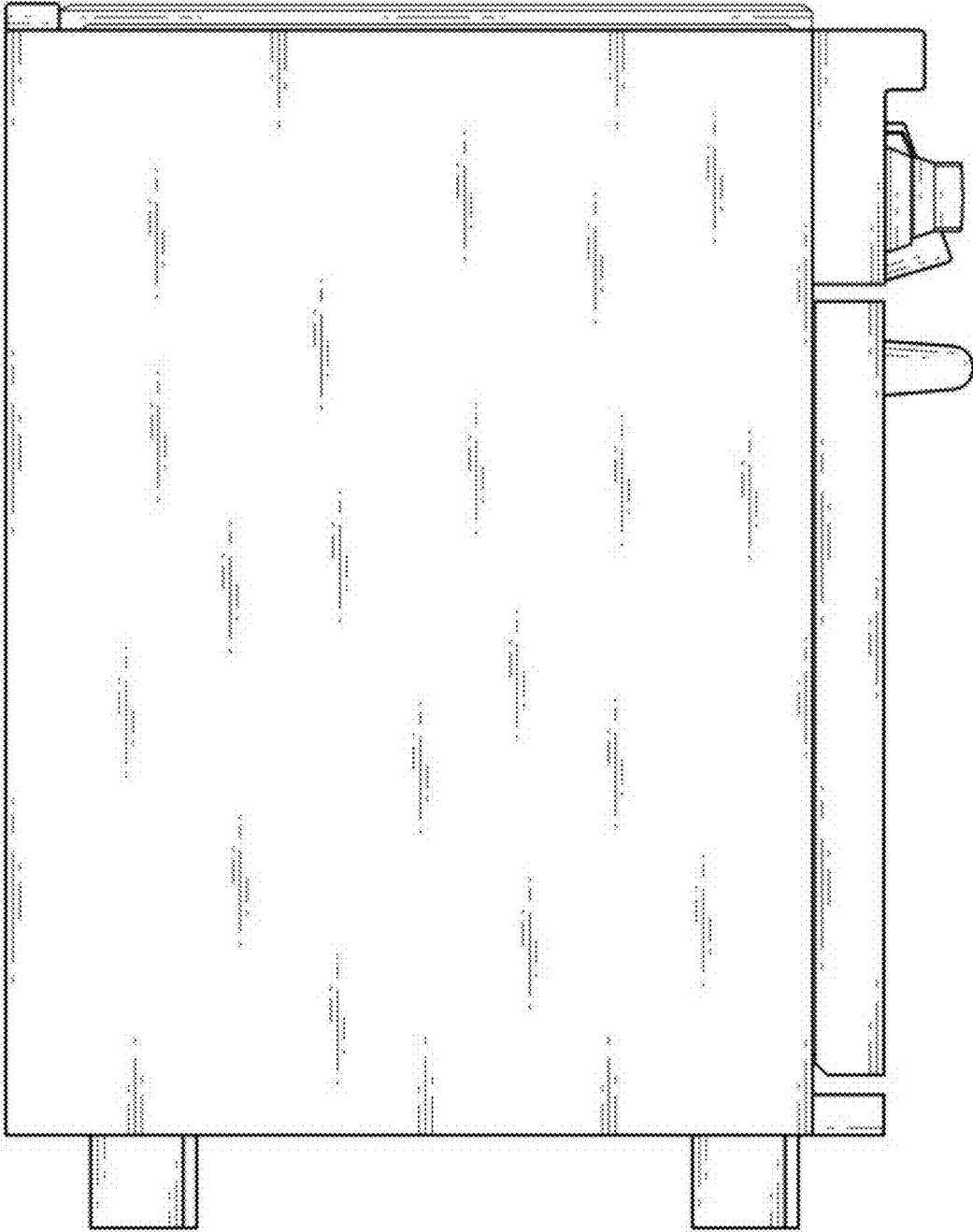
1.2



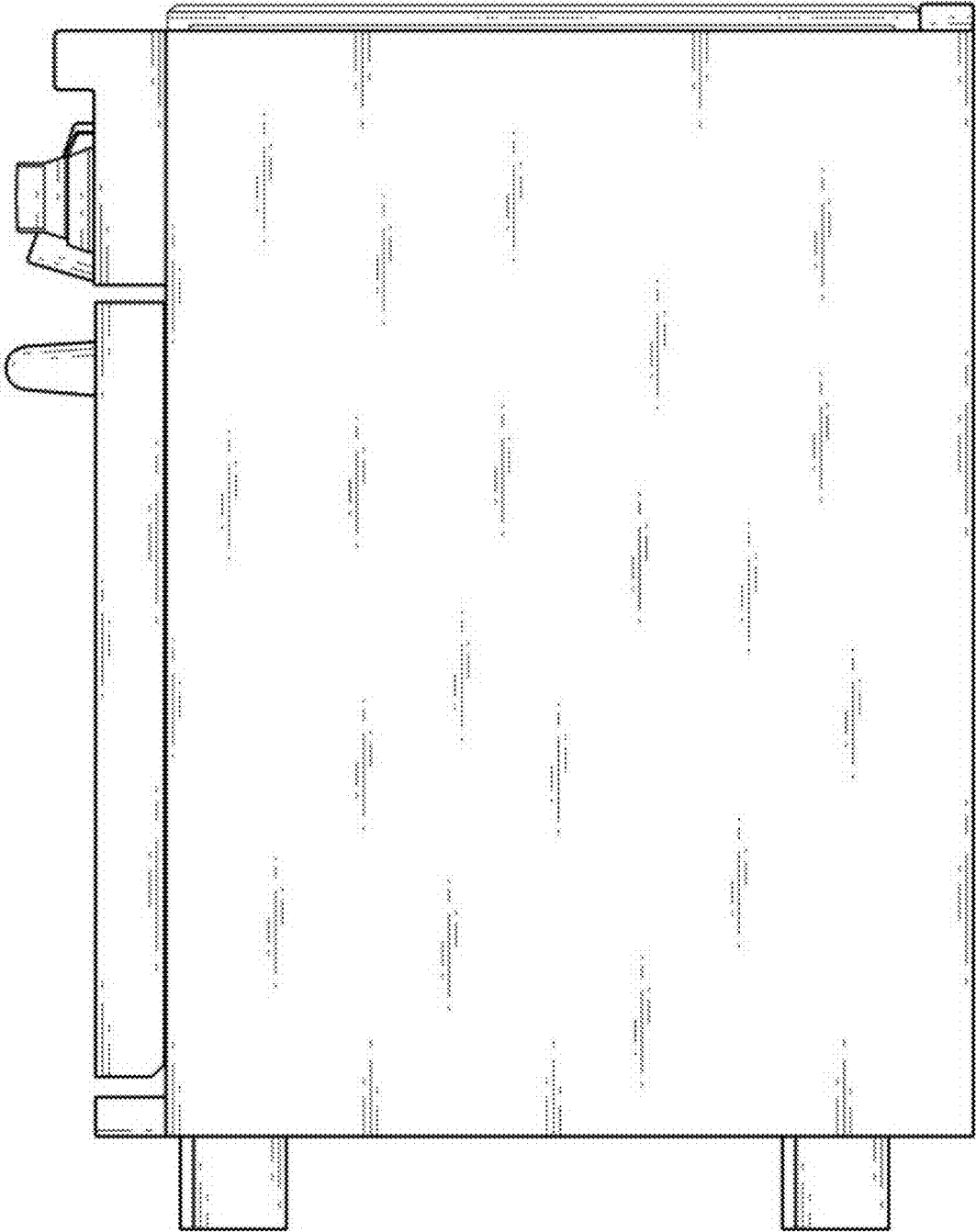
1.3



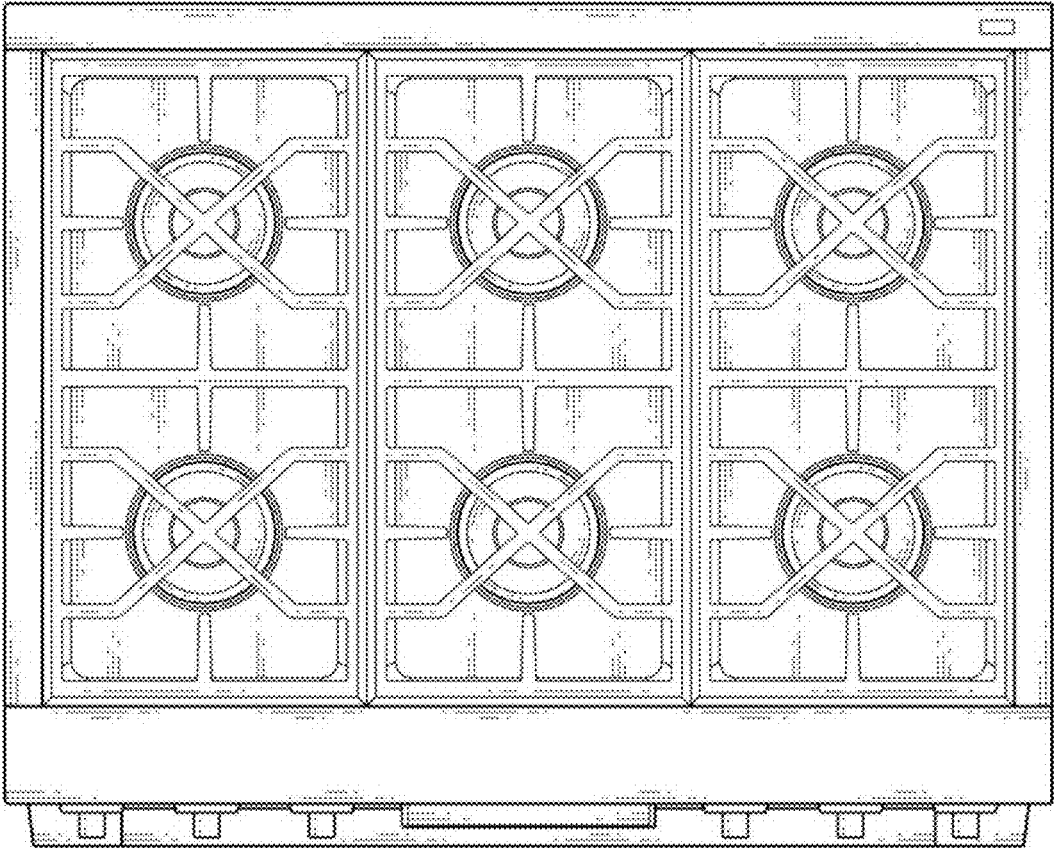
1.4



1.5



1.6



1.7

