



US00D632776S

(12) **United States Design Patent**  
**dos Anjos**

(10) **Patent No.:** **US D632,776 S**

(45) **Date of Patent:** **\*\* Feb. 15, 2011**

(54) **FRONT END SHIELD**

(75) Inventor: **Emerson Daniel dos Anjos**, Jaragua do Sul (BR)

(73) Assignee: **Weg Equipamentos Electricos S.A.**, Jaragua Do Sul (BR)

(\*\*) Term: **14 Years**

(21) Appl. No.: **29/305,484**

(22) Filed: **Mar. 21, 2008**

(30) **Foreign Application Priority Data**

Sep. 26, 2007 (BR) ..... DI 6702899

(51) **LOC (9) Cl.** ..... **23-04**

(52) **U.S. Cl.** ..... **D23/411**

(58) **Field of Classification Search** ..... D23/411,  
D23/370, 381, 380, 332, 413; 416/208.2,  
416/203, 244 R, 247 R

See application file for complete search history.

(56) **References Cited**

**U.S. PATENT DOCUMENTS**

- D297,761 S \* 9/1988 Shiraki ..... D23/379
- D409,741 S \* 5/1999 Yuen-Ming ..... D23/370
- D526,715 S \* 8/2006 Glasbrenner ..... D23/411
- D548,324 S \* 8/2007 Lee ..... D23/411

- D551,753 S \* 9/2007 Ertze ..... D23/411
- D559,381 S \* 1/2008 Shapiro ..... D23/411
- D564,653 S \* 3/2008 Iwase et al. .... D23/413
- D569,494 S \* 5/2008 Pan ..... D23/411
- D597,195 S \* 7/2009 Zhuang ..... D23/411

\* cited by examiner

*Primary Examiner*—Melody N Brown

(74) *Attorney, Agent, or Firm*—Hughes Hubbard & Reed LLP

(57) **CLAIM**

The ornamental design for a front end shield, as shown and described.

**DESCRIPTION**

FIG. 1 is a front perspective view of a front end shield showing my design;

FIG. 2 is a bottom perspective view thereof;

FIG. 3 is a top perspective view thereof;

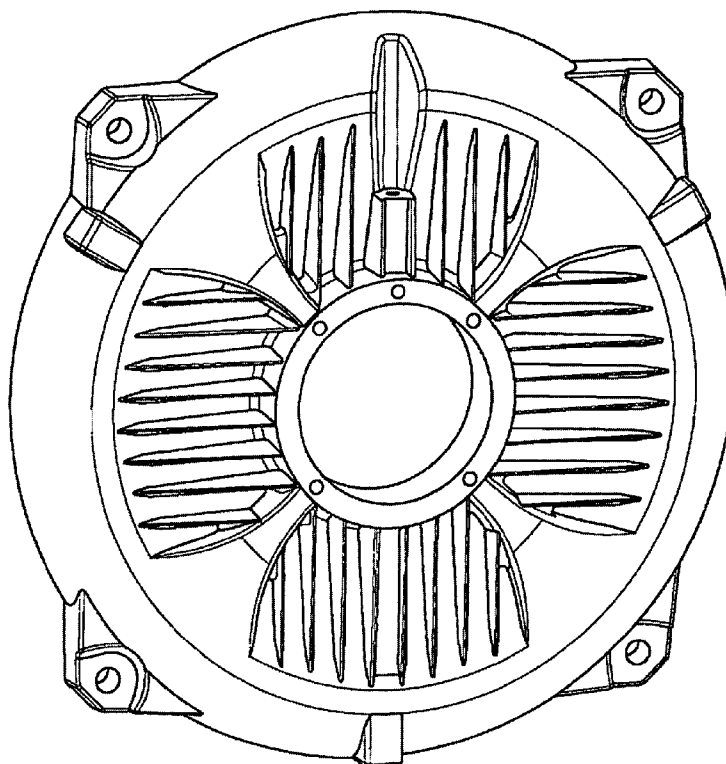
FIG. 4 is a front elevational view thereof;

FIG. 5 is a right side elevational view thereof, the left side elevational view being a mirror image of the right side elevational view;

FIG. 6 is a top plan view thereof; and,

FIG. 7 is a bottom plan view thereof.

**1 Claim, 4 Drawing Sheets**



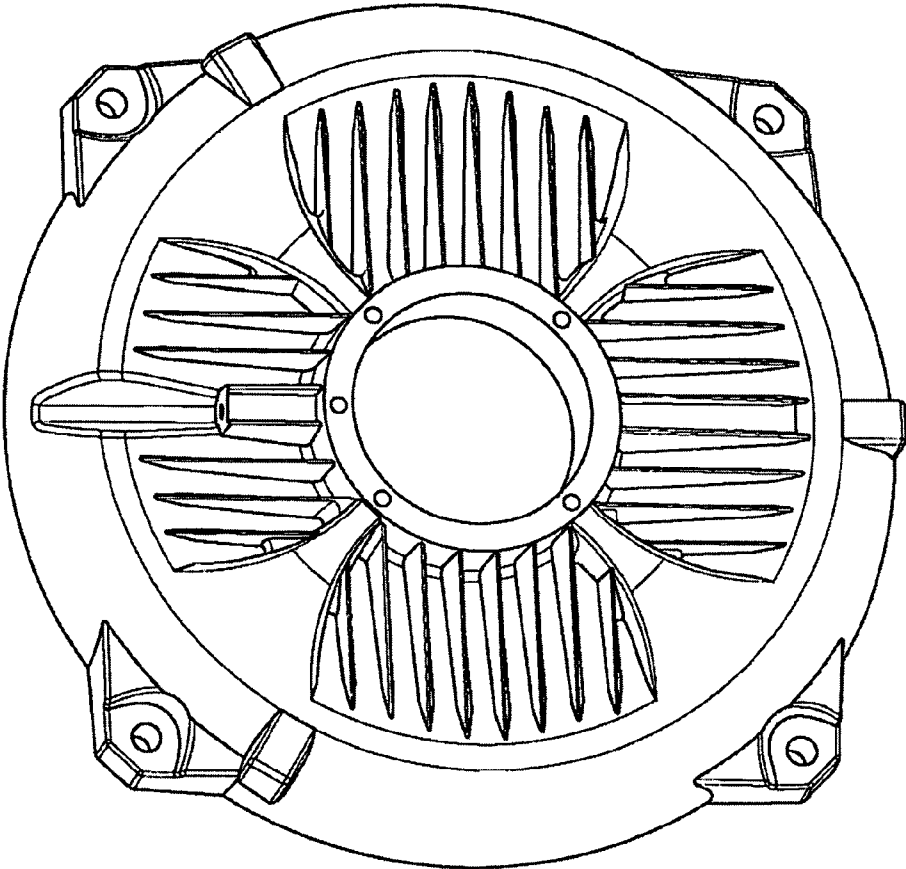


FIG. 1

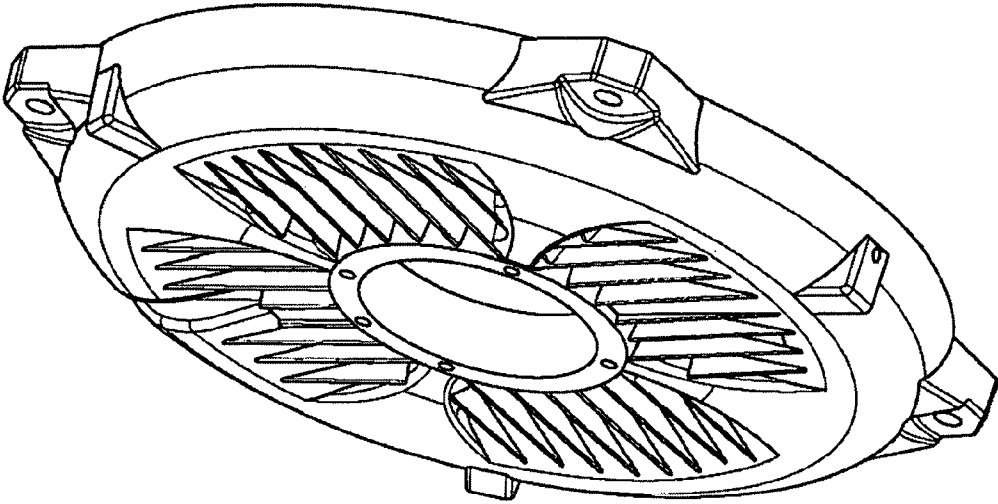


FIG. 2

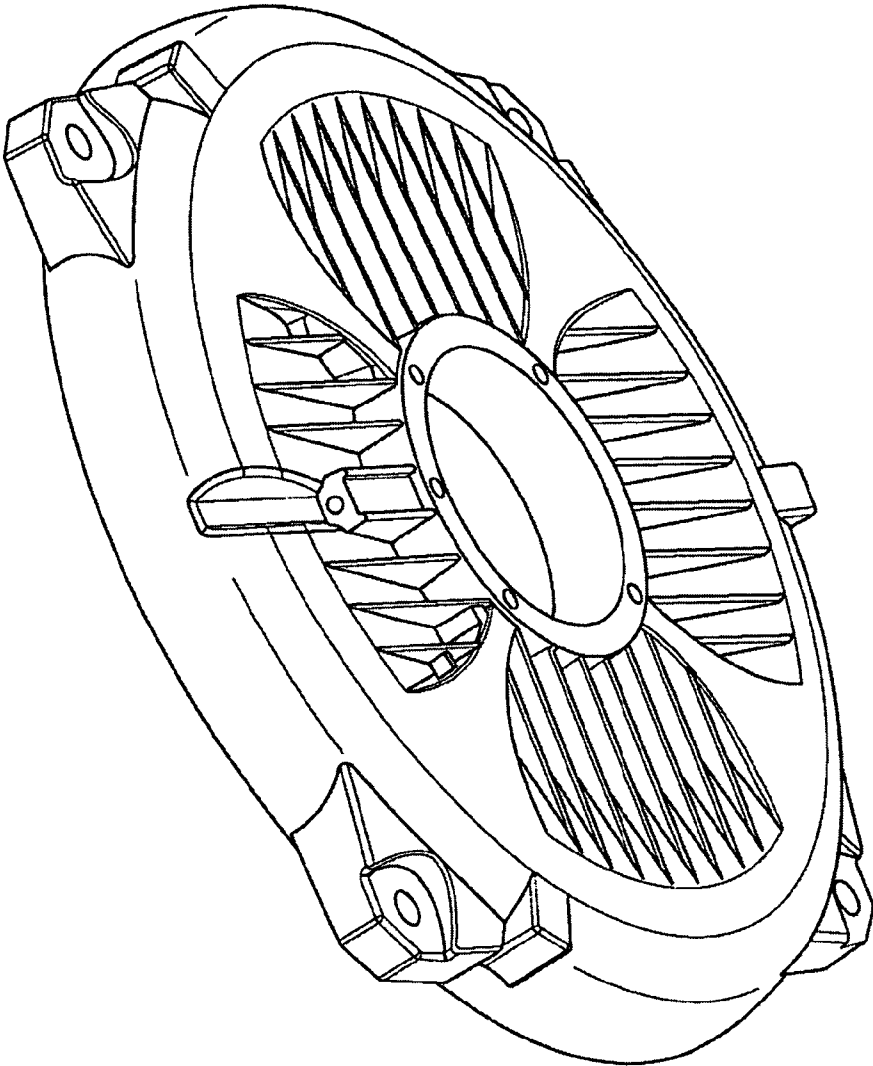


FIG. 3

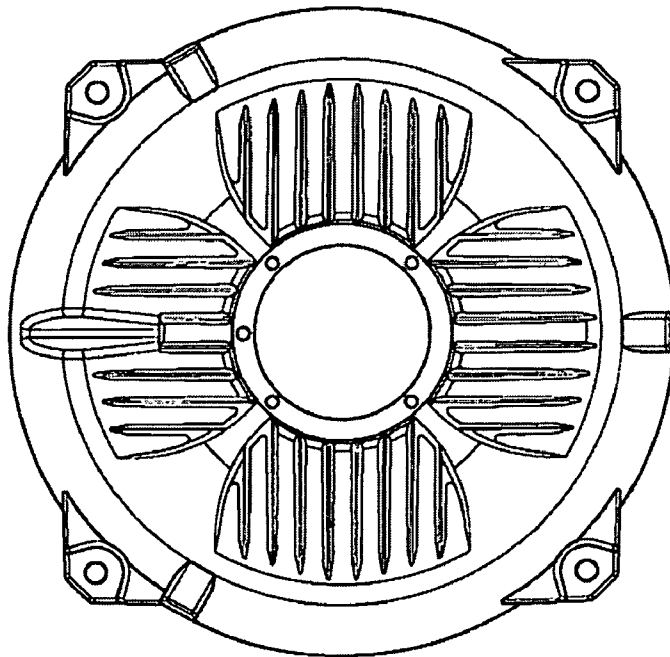


FIG. 4

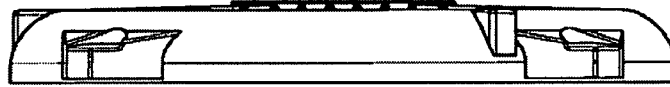


FIG. 5

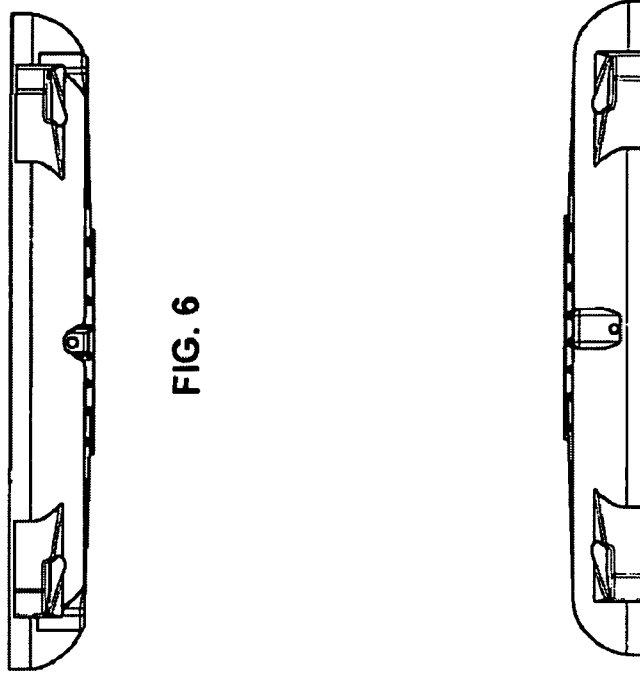


FIG. 6

FIG. 7