



US00D909742S

(12) **United States Design Patent**
Doherty

(10) **Patent No.:** **US D909,742 S**

(45) **Date of Patent:** **** Feb. 9, 2021**

- (54) **CANE**
- (71) Applicant: **David Scott Doherty**, Peterborough, NH (US)
- (72) Inventor: **David Scott Doherty**, Peterborough, NH (US)
- (**) Term: **15 Years**
- (21) Appl. No.: **29/703,601**
- (22) Filed: **Aug. 28, 2019**
- (51) **LOC (13) Cl.** **03-03**
- (52) **U.S. Cl.**
USPC **D3/7**
- (58) **Field of Classification Search**
USPC D3/5, 6, 7, 8, 9, 10, 12
CPC A45B 1/00; A45B 1/04; A45B 3/00; A45B 7/00; A45B 7/005; A45B 9/00; A45B 9/02; A45B 2009/002; A45B 2009/005
See application file for complete search history.

- D693,565 S * 11/2013 Chan D3/7
- 8,695,617 B2 * 4/2014 Diamond A45B 3/02
135/72
- 9,386,830 B2 * 7/2016 Crowhurst A45B 9/00
- D817,630 S * 5/2018 Baltz D3/10
- 10,016,032 B1 * 7/2018 Menn A45B 9/02
- D831,329 S * 10/2018 Barahona D3/10
- 10,105,278 B2 * 10/2018 Bernhardt A45B 3/00
- 10,188,183 B1 * 1/2019 Swerdlow A61H 3/00
- D877,485 S * 3/2020 Rampersaud D3/10
- 10,583,064 B1 * 3/2020 Chang A61H 3/00
- D882,241 S * 4/2020 Smith Swerdlow
A61H 3/0288
D3/7
- 10,631,600 B2 * 4/2020 Moyo A45B 9/02

* cited by examiner

Primary Examiner — Steven J Czyz
(74) *Attorney, Agent, or Firm* — Dunlap Bennett & Ludwig, PLLC

(57) **CLAIM**

The ornamental design for a cane, as shown and described.

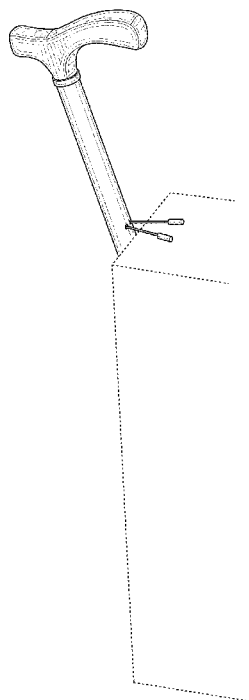
DESCRIPTION

FIG. 1 is a perspective view of a cane, showing my new design in use;
FIG. 2 is a right elevation view thereof;
FIG. 3 is a left elevation view thereof;
FIG. 4 is a front elevation view thereof;
FIG. 5 is a rear elevation view thereof;
FIG. 6 is a top plan view thereof; and,
FIG. 7 is a bottom plan view thereof.
The broken lines depict portions of the article and environment that form no part of the claimed design.

1 Claim, 5 Drawing Sheets

(56) **References Cited**
U.S. PATENT DOCUMENTS

- D283,370 S * 4/1986 Hill D3/7
- D290,784 S * 7/1987 Moshiri D3/7
- 5,582,196 A * 12/1996 Hae A45B 3/00
135/65
- D427,763 S * 7/2000 Kikuchi D3/7
- D555,892 S * 11/2007 Carroll D3/6
- 7,422,188 B1 * 9/2008 Schlosser A45B 1/04
224/407
- 8,439,056 B2 * 5/2013 Shyu A45B 19/00
135/17
- D690,927 S * 10/2013 Jones D3/7



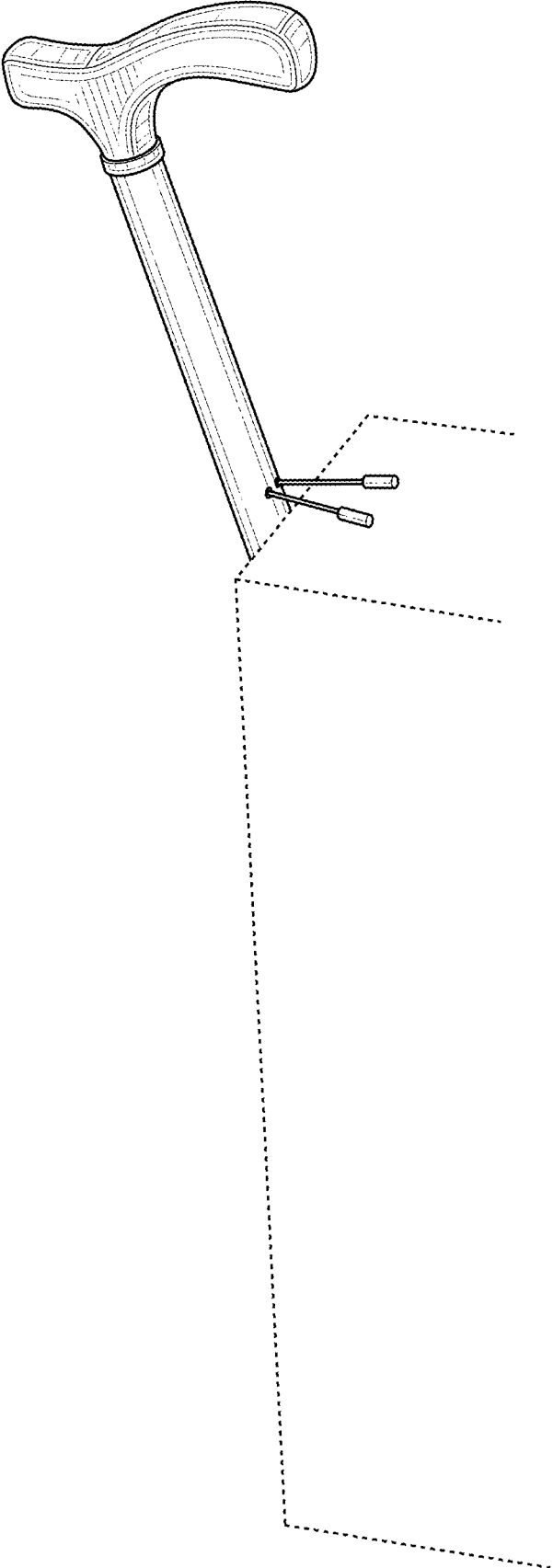


FIG. 1

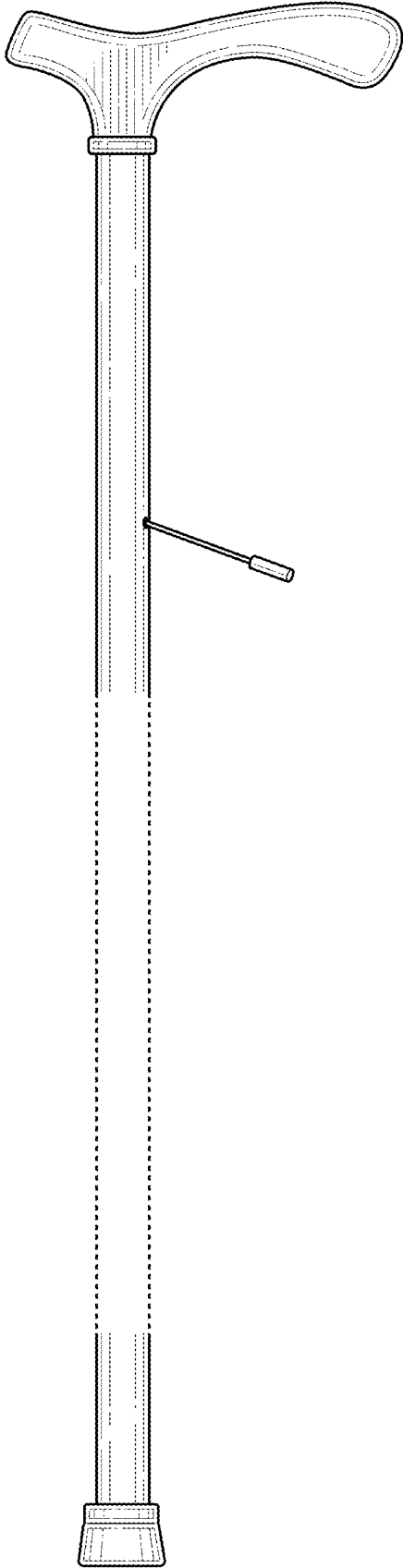


FIG. 2

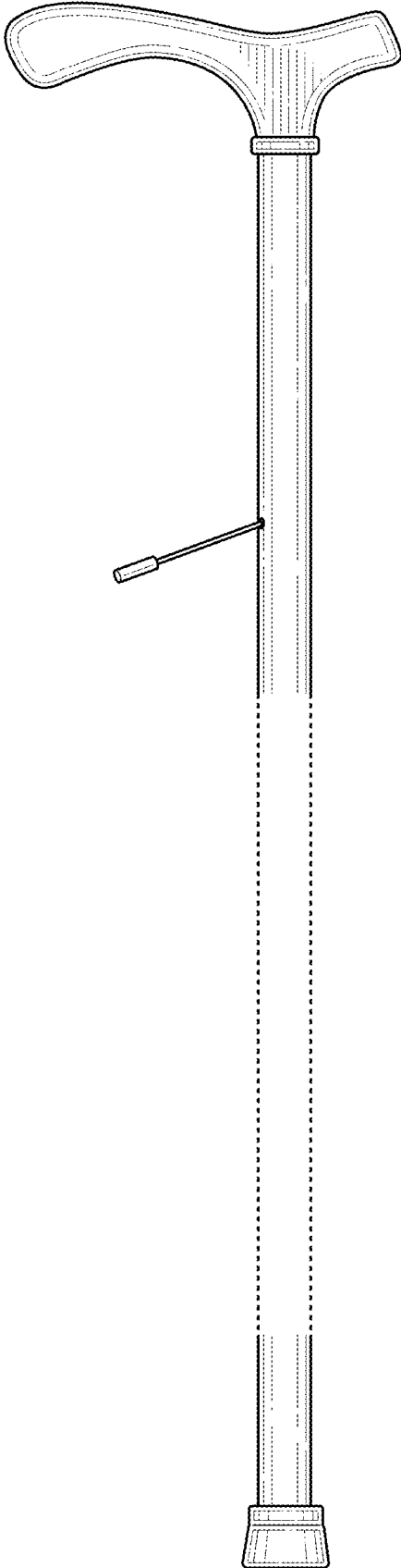


FIG. 3

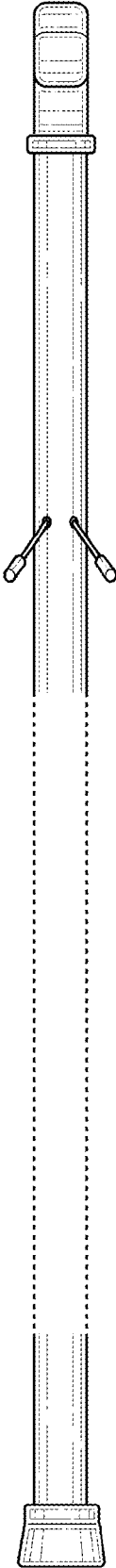


FIG. 4

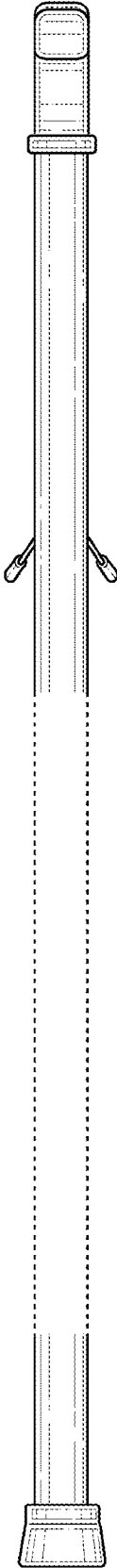


FIG. 5

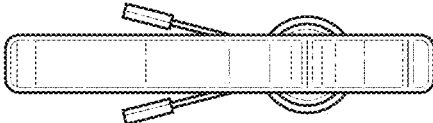


FIG. 6

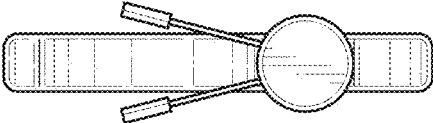


FIG. 7