

- [54] PORTABLE BAND SAW
- [75] Inventors: **Charles R. Stelljes, Fayetteville; Lars Frostad, Syracuse; Richard H. Chapman, Camillus, all of N.Y.**
- [73] Assignee: **Rockwell International Corporation, Pittsburgh, Pa.**
- [**] Term: **14 Years**
- [21] Appl. No.: **608,855**
- [22] Filed: **Aug. 29, 1975**

Related U.S. Application Data

- [63] Continuation-in-part of Ser. No. 515,111, Oct. 16, 1974, abandoned.
- [51] Int. Cl. **D8-03**
- [52] U.S. Cl. **D8/64**
- [58] Field of Search **D8/64; 30/380; 83/816, 83/818, 820**

- [56] **References Cited**
- U.S. PATENT DOCUMENTS**
- | | | | |
|------------|---------|----------------|----------|
| D. 156,282 | 11/1949 | Schepige | D8/64 |
| 2,596,081 | 5/1952 | Sacrey | D8/64 UX |
| 3,829,970 | 8/1974 | Anderson | 30/380 |

OTHER PUBLICATIONS

Ridgid Portable Band Saw brochure, effective 10/18/72, bandsaw on page.

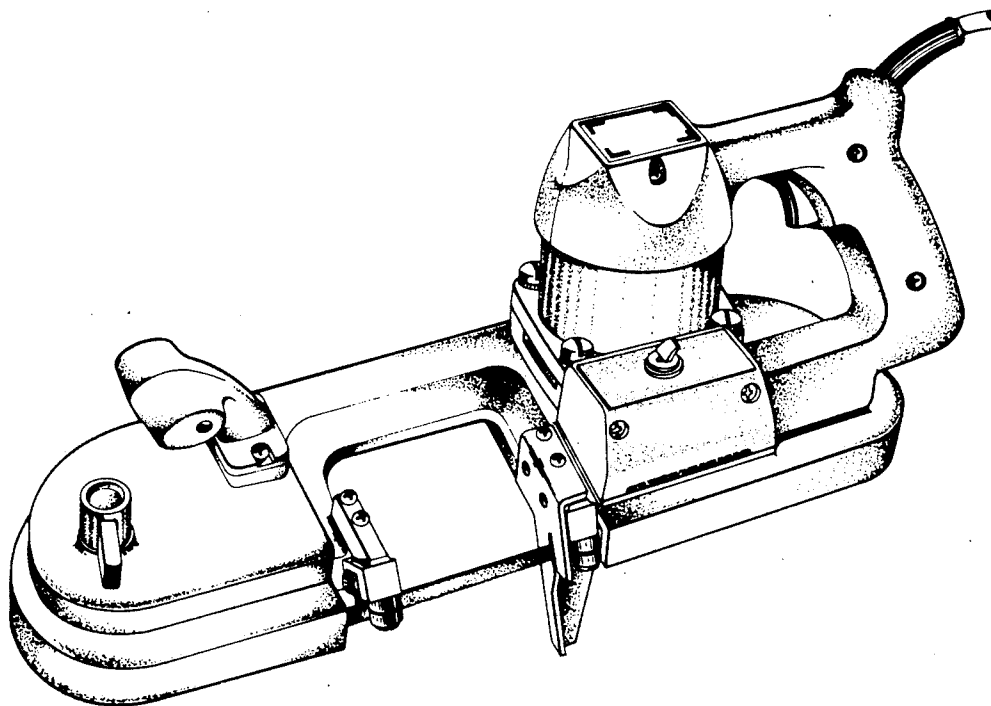
Primary Examiner—Alan P. Douglas
Attorney, Agent, or Firm—John R. Bronaugh

[57] **CLAIM**

The ornamental design for a portable band saw, as shown and described.

DESCRIPTION

FIG. 1 is a perspective view, showing the top and front of a portable band saw in accordance with the present invention;
 FIG. 2 is a plan view of the bottom;
 FIG. 3 is a front elevation view of the saw;
 FIG. 4 is a rear elevation;
 FIG. 5 is a right side elevation; and
 FIG. 6 is a left side elevation.



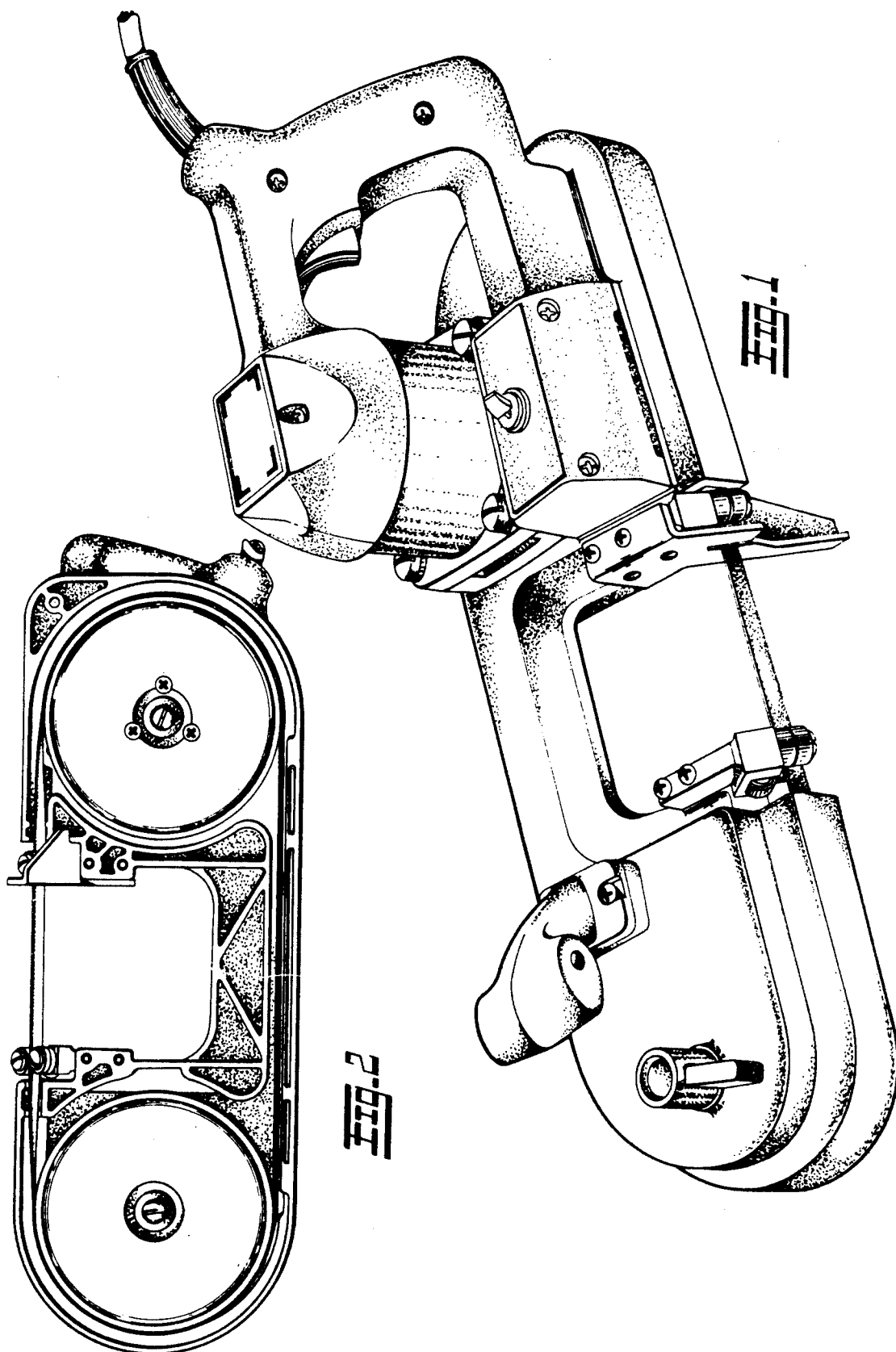


FIG. 3

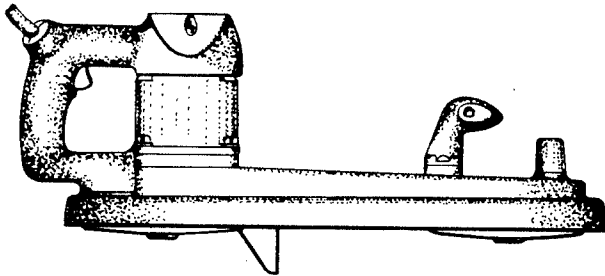
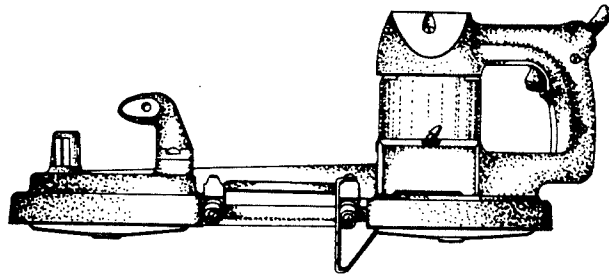


FIG. 4

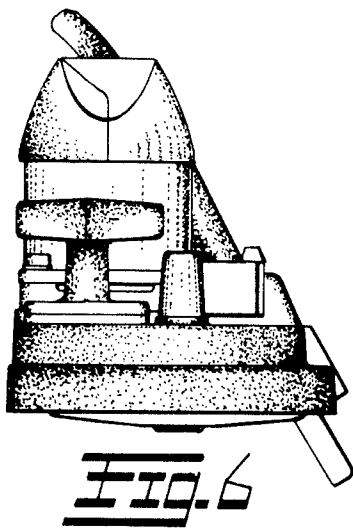


FIG. 6

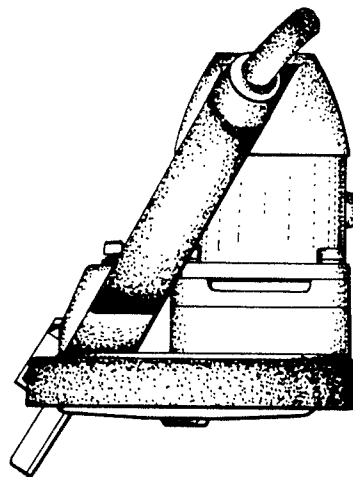


FIG. 5